



# КАТАЛОГ ЗАПЧАСТЕЙ

**JUNIOR**

**QM50QT-B2**

[www.SkyBike.com.ua](http://www.SkyBike.com.ua)

## **Внимание!**

**Для заказа запчастей необходимо в каталоге найти страницу с изображением интересующей вас детали. В левом верхнем углу написан код рисунка. Номер детали указан возле изображения детали. Например для заказа прокладки глушителя, для модели FORTUNE 50, вы пишете в заявке – "FIG.13 – 8 Прокладка глушителя" (или название на английском из каталога) и необходимое количество. Если группа деталей объединена скобкой, это значит, что детали продаются в комплекте.**

**После того, как вы определились с выбором детали, вы можете сделать заказ, уточнить наличие на складе, цену, позвонив по телефонам указанным на [сайте](#) или отправьте запрос на наш e-mail: [repair@skybike.com.ua](mailto:repair@skybike.com.ua)**

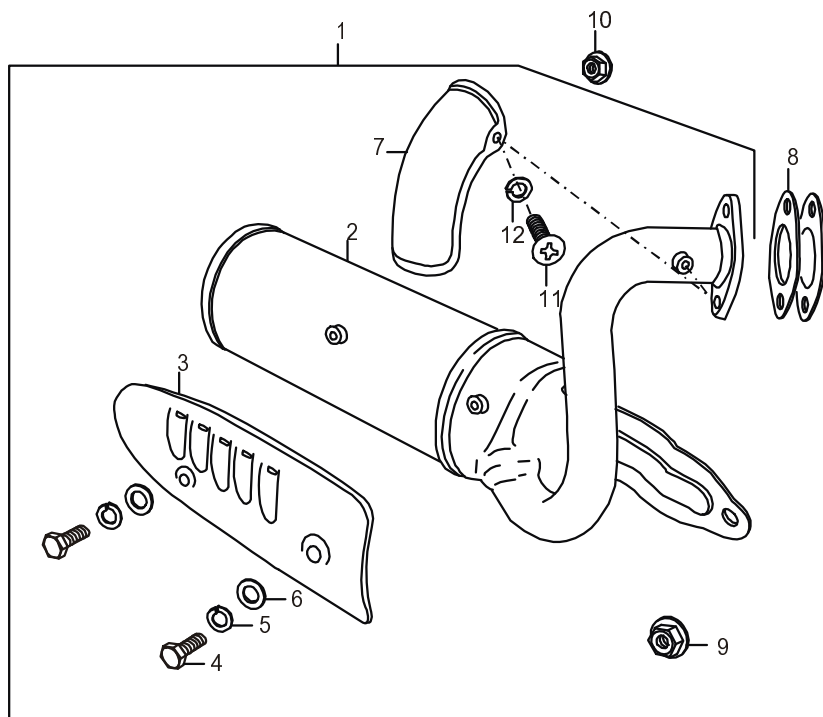
## КАТАЛОГ ЗАПЧАСТЕЙ

. No.		Стр
FIG.13	ГЛУШИТЕЛЬ	1
FIG.14	ВОЗДУШНЫЙ ФИЛЬТР	2
FIG.15	ЭЛЕКТРИЧЕСКИЕ ЧАСТИ	3
FIG.16	СПИДОМЕТР	4
FIG.16A	СПИДОМЕТР	5
FIG.17	ФАРА	6
FIG.17A	ФАРА	7
FIG.17B	ФАРА	8
FIG.18	ФОНАРЬ ЗАДНИЙ	9
FIG.18A	ФОНАРЬ ЗАДНИЙ	10
FIG.19	ПРОВОДКА	11
FIG.20	РАМА	12
FIG.21	БЕНЗОБАК	13
FIG.22	МАСЛЯНЫЙ БАК	14
FIG.23	СИДУШКА	15
FIG.24	ПЕРЕДНИЙ ПЛАСТИК	16
FIG.25	БОКОВОЙ ПЛАСТИК	17
FIG.26	ПАНЕЛЬ ПОЛА	18
FIG.27	КРЫЛО ПЕРЕДНЕЕ	19
FIG.28	БАРДАЧЕК	20
FIG.29	ПЕРЕДНЯЯ ВИЛКА	21
FIG.30	ДИСК ПЕРЕДНИЙ	23
FIG.31	КРЫШКА РУЛЯ	25

## КАТАЛОГ ЗАПЧАСТЕЙ

. No.		Стр
31A FIG.31A	КРЫШКА РУЛЯ	26
31B FIG.31B	КРЫШКА РУЛЯ	27
32 FIG.32	РУЛЬ	28
32A FIG.32A	РУЛЬ	29
33 FIG.33	РУЧКА ТОРМОЗА	30
33A FIG.33A	РУЧКА ТОРМОЗА	31
34 FIG.34	РУЧКА ТОРМОЗА	32
34A FIG.34A	РУЧКА ТОРМОЗА	33
35 FIG.35r	КРЫЛО ЗАДНЕЕ	34
36 FIG.36	БАГАЖНИК	35
37 FIG.37	ДИСК ЗАДНИЙ	36
38 FIG.38	УКАЗАТЕЛИ ПОВОРОТОВ	37
39 FIG.39	УКАЗАТЕЛИ ПОВОРОТОВ	38
40 FIG.40	ИНСТРУМЕНТ	39
41 FIG.41	КЕЙС	40

FIG.13



13

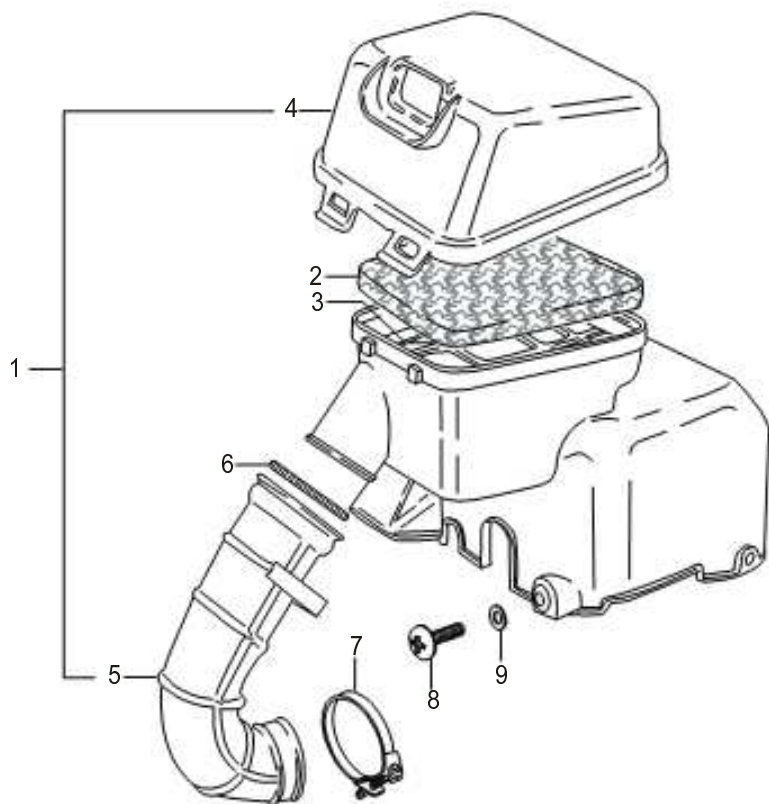
FIG.13

ГЛУШИТЕЛЬ

Ref.No.	Part No.	Description	Q'ty	Remarks
1	14300QAA2000	Muffler assy	1	
2	<del>14301QAAZ000</del> D1E41FM.09.1-00 <del>14781QAAZ000</del>	Body, muffler	1	
3	D1E41QMB.09-01	Cover, muffler	1	
4	<del>01504Q060144</del> GB/T5782-2000	Bolt - M6x14	2	
5	<del>05421Q021064</del> GB859-87	Lock washer 6	2	
6	<del>05420Q022064</del> GB97.1-85	Washer 6	2	
7	<del>14156QAAZ000</del> D1E41FM.09-02	Cover, exhaust pipe	1	
8	<del>14181QAAZ000</del>	Gasket, exhaust pipe	2	
9	<del>05409Q081081</del> GB/T6187.1-2001	Nut M8	1	
10	<del>05404Q011064</del> GB6177.1-2000	Nut M6	2	
11	<del>03411Q060082</del> GB818-85	Screw M6x8	2	
12	<del>05421Q011062</del> GB/T93-87	Lock washer 6	2	

QM50QT-B2

FIG.14



QM50QT-B2

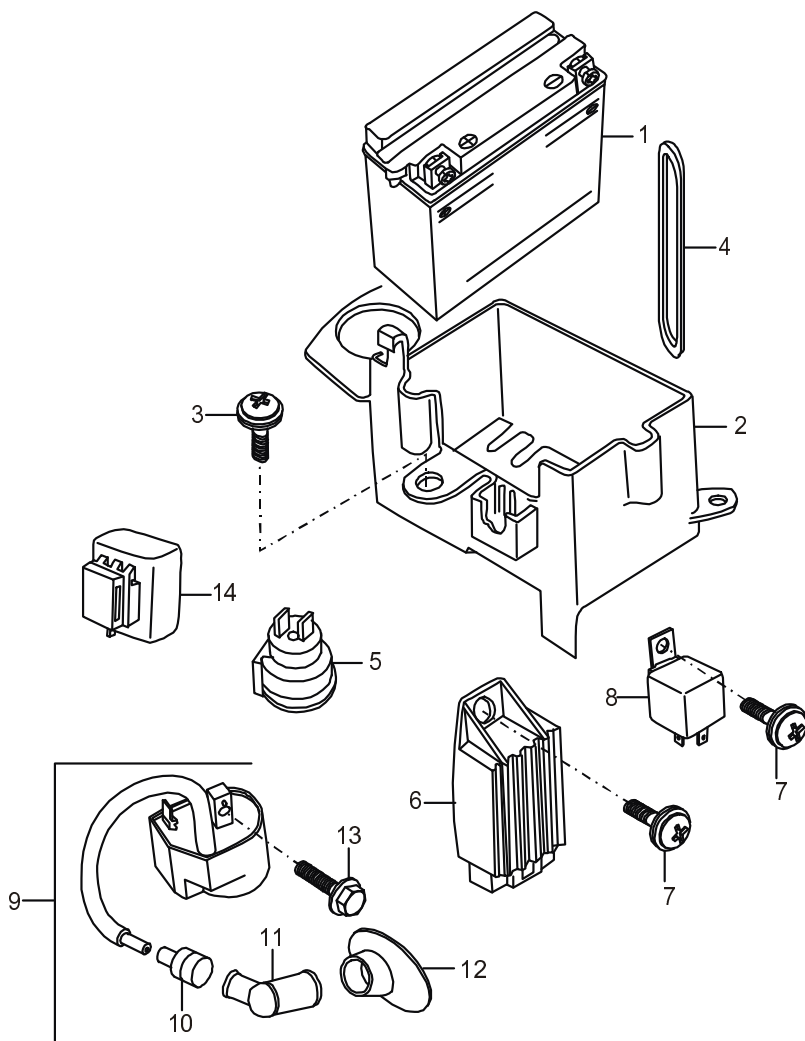
14

FIG.14

ВОЗДУШНЫЙ ФИЛЬТР

Ref.No.	Part No.	Description	Q'ty	Remarks
1	<u>1370QAAZ000</u> D1E41QMB.11-00	Air cleaner assy	1	
2	D1E41QMB.11-04	Filter	1	
3	<u>13791QACZ000</u> D1E41QMB.11-11	Retainer, filter	1	
4	<u>13741QAAZ000</u> D1E41FM.11-07	Cover, air cleaner	1	
5	<u>13881QAAZ000</u> D1E41FM.11-04	Tube, outlet	1	
6	<u>13883QAAZ000</u> D1E41FM.11-05	Spring clamp	1	
7		Clip	1	
8	<u>03411Q040161</u> GB/T818-2000	Screw M4x16	2	
9	<u>05420Q011061</u> GB/T95-1985	Washer 6	2	

FIG.15



QM50QT-B2

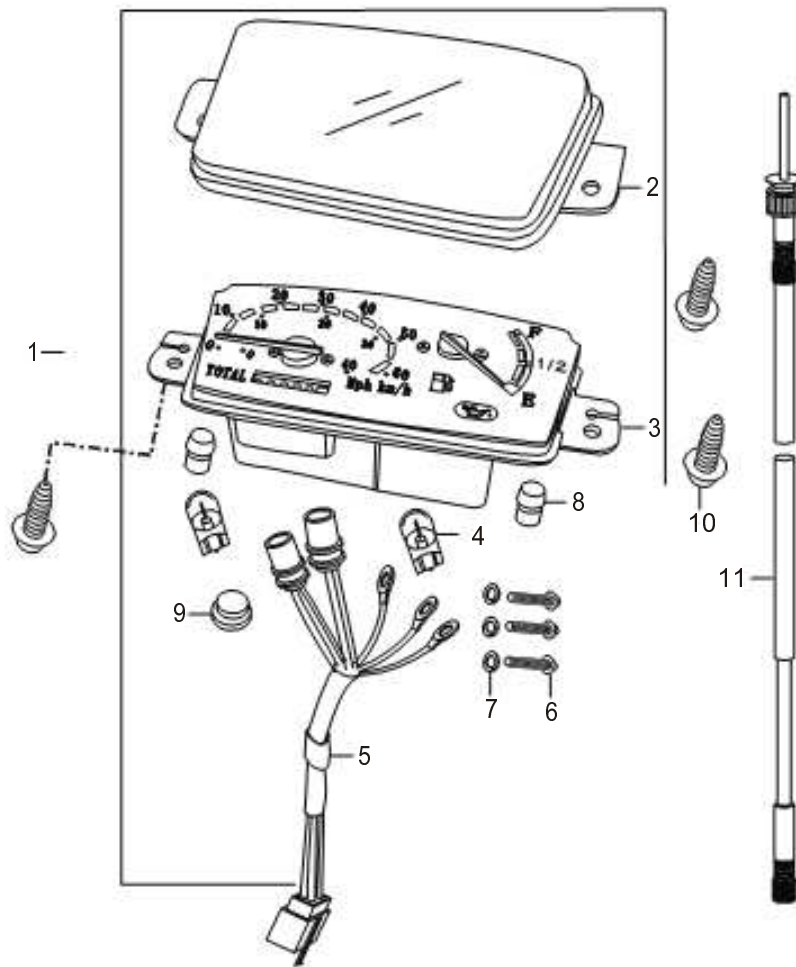
15

FIG.15

ЭЛЕКТРИЧЕСКИЕ ЧАСТИ

Ref.No.	Part No.	Description	Q'ty	Remarks
1	<u>33601QAAZ000</u> QM50QW(D).60	Battery assy	1	
2	<u>33641QAA2000</u> QM50QT-B.39	Battery box	1	
3	03411Q160161 GB/T9074.1-1988	Screw M6x16	1	
4	<u>33681QAAZ000</u> QM50QW	Band	1	
5	<u>38700QAA2000</u> QM50QW-B.00D.8	Buzzer assy, winker	1	
6	<u>32801QAA2000</u> QM50QW-B.00D.11	Rectifier assy	1	
7	03411Q260161	Screw M6x16	2	
8	<u>31801QAA2000</u> QM50QW-B.70.1-00	Starter, relay assy	1	
9	33410QAA2000	Ignition coil assy	1	
10	<u>33542QAA2000</u>	Seal, spark plug	1	
11	33510QAA2000	Cap, spark plug	1	
12	<u>33543QAA2000</u>	Seal, high tension cord	1	
13	01624Q060251 GB/T9074.1-1988	Bolt M6x25	1	
14	<u>38600QAAZ000</u> QM50QW(D).70	Relay assy, winker	1	

FIG.16



QM50QT-B2

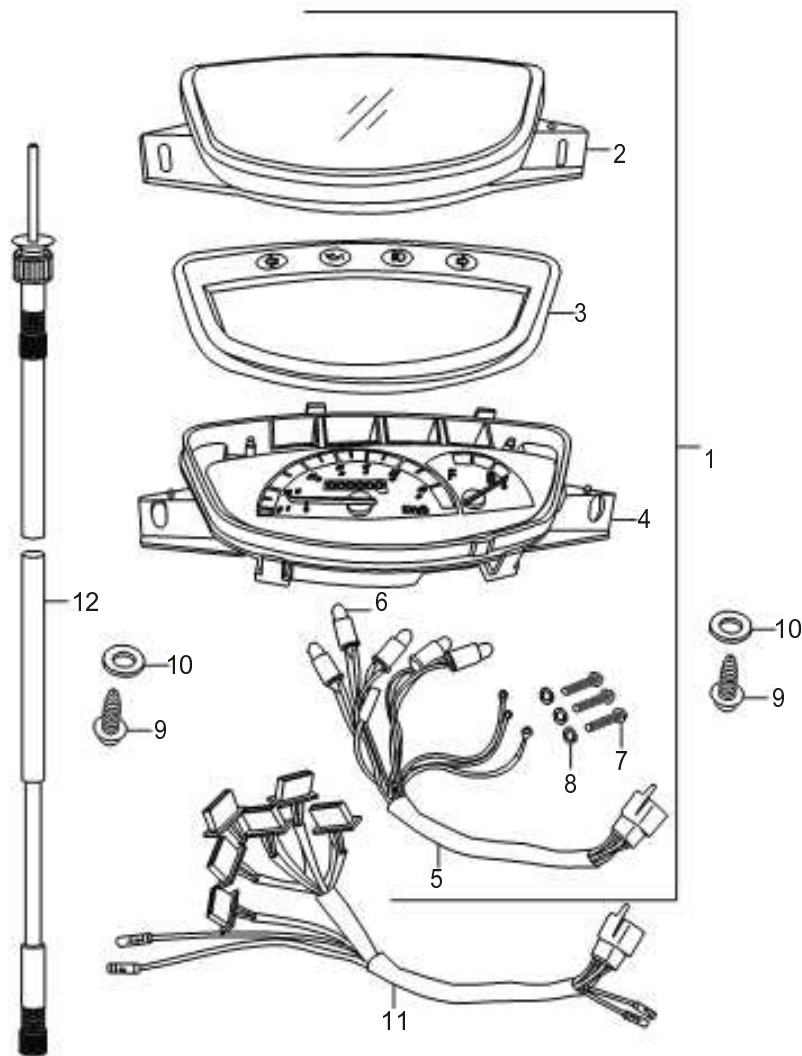
16

FIG.16

СПИДОМЕТР

Ref.No.	Part No.	Description	Q'ty	Remarks
1	<u>34102QAA2000</u> QM50QT-B.00D(B).10	Speedometer assy	1	
2	34111QAA2000	Lens	1	
3	34110QAA2000	Dial plate assy	1	
4	07112Q010101	Bulb 12V2W	2	
5	34170QAA2000	Wiring harness speedometer	1	
6	03411Q030224	Screw M3x22	3	
7	05421Q011034	Washer 3	3	
8		Plug	2	
9		Plug	1	
10	<u>04020Q051201</u> GB/T845-85	Screw ST4.8x12	2	
11	<u>34910QAA4000</u> QM50QW-B2.33.2.2	Cable assy, speedometer	1	

FIG.16A



QM50QT-B2

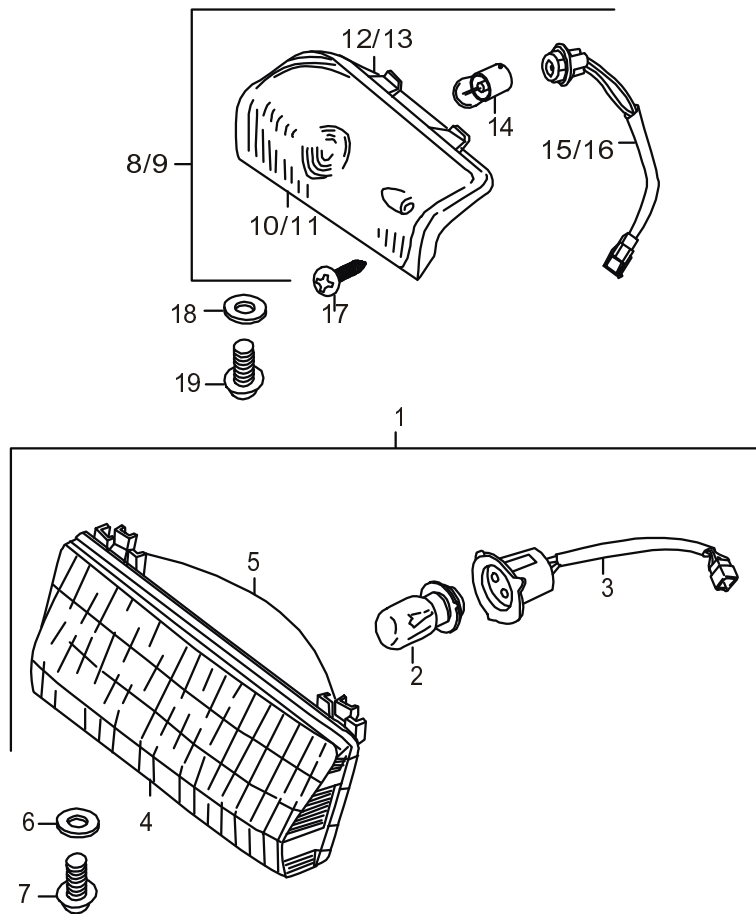
16A  
FIG.16A

СПИДОМЕТР

Ref.No.	Part No.	Description	Q'ty	Remarks
1	<u>34102QAA4010</u> QM50QT-B2.64a.1-00	Speedometer assy	1	
2		Upper case	1	
3		Lens	1	
4		Lower case	1	
5		Wiring harness, speedometer	1	
6		Bulb 12V2W	5	
7	<u>034110030401</u> GB/T818-2000	Screw M3x40	3	
8	<u>05420Q011031</u> GB/T95-85	Washer 3	3	
9	<u>04010Q041602</u> GB/T818-85	Screw ST4.2x16	2	
10	<u>05420Q051051</u> GB/T96-85	Washer 5	2	
11	<u>36220QAA4020</u> QM50QT-B2.67c.2-00	Wiring harness	1	
12	<u>36220QAA4020</u> QM50QT-B2.32a.6-00	Cable assy, speedometer	1	



FIG.17



QM50QT-B2

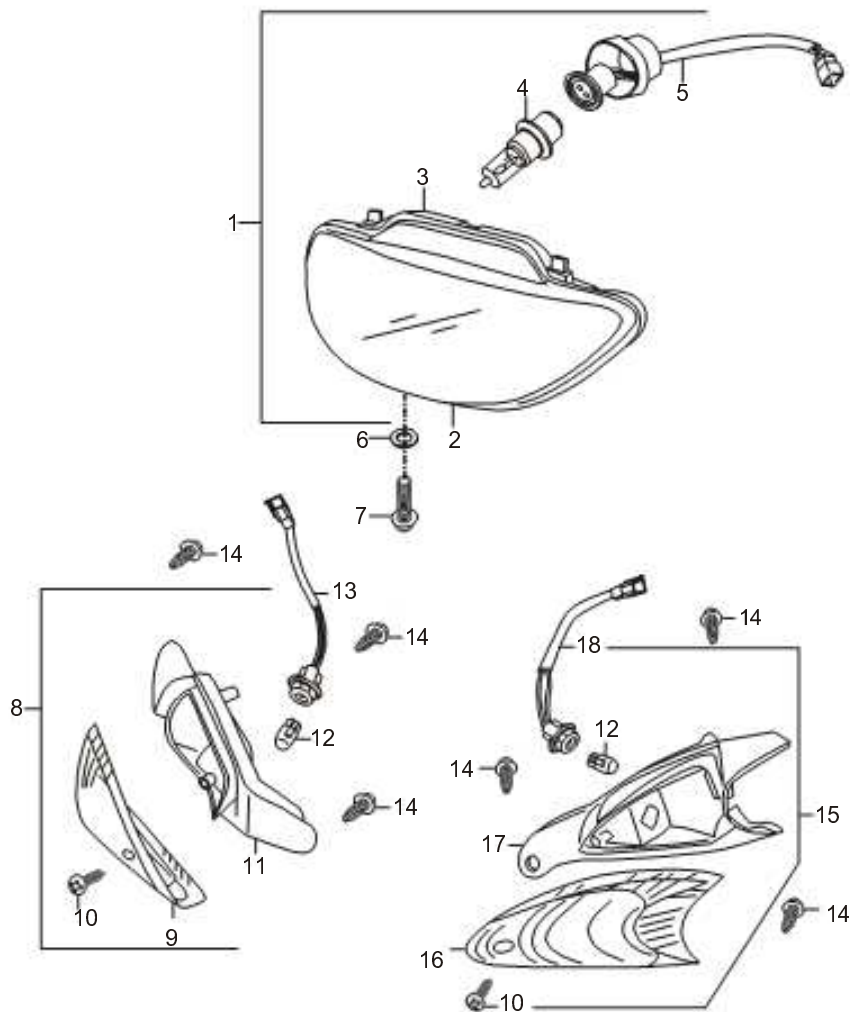
17

FIG.17

ΦAPA

Ref.No.	Part No.	Description	Q'ty	Remarks
1	35100QAA2000 QM50QT-B.00D.2	Headlamp assy	1	
2	07110Q004121	Bulb	1	
3	35180QAA2000	Wire assy, headlamp	1	
4	35124QAA2000	Lens, head lamp	1	
5	51811QAA2000	Hood, headlamp	1	
6	05420Q011051 03411Q050121	Washer 5	1	
7	GB/T818-2000	Screw M5x12	1	
8	35610QAA2000	Front winker assy, RH	1	
9	35630QAA2000	Front winker assy, LH	1	
10	35612QAA2000	Lens, front winker, RH	1	
11	35632QAA2000	Lens, front winker, LH	1	
12	35612QAA2000	Body, front winker RH	1	
13	35632QAA2000	Body, front winker LH	1	
14	07110Q009121	Bulb	2	
15		Wire assy front winker, RH	1	
16		Wire assy front winker, LH	1	
17		Washer	1	
18		Screw	1	

FIG.17A



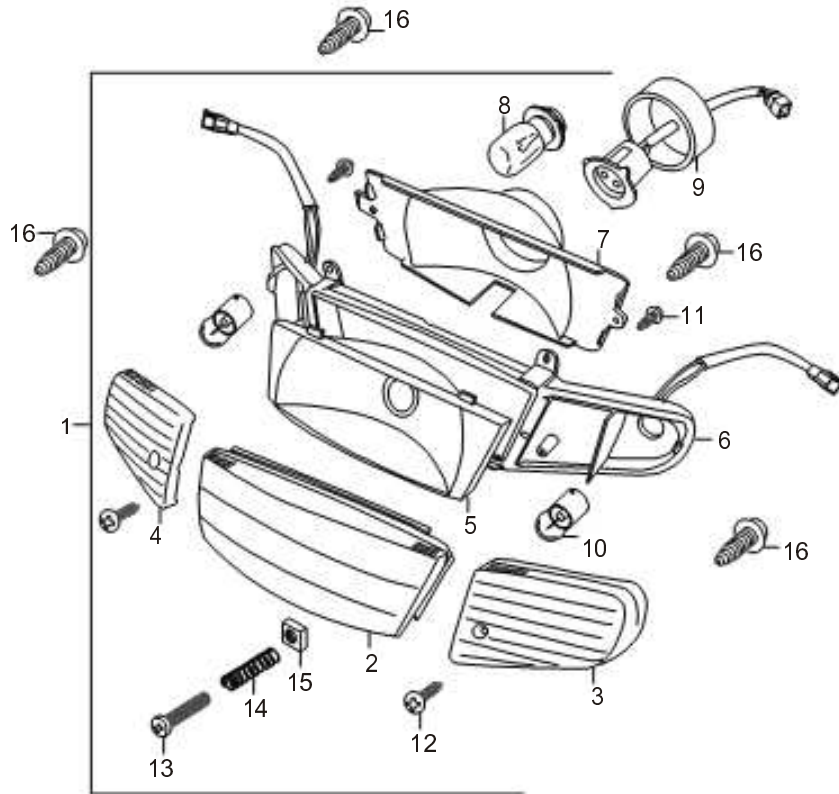
QM50QT-B2

17A  
FIG.17A

ΦAPA

Ref.No.	Part No.	Description	Q'ty	Remarks
1	<u>35101QACC000</u> QM50QT-3M.62.1.1-00	Headlamp assy	1	
2	<del>35124QACC000</del> QM50QT-3M.62.1-02	Lens, head lamp	1	
3	<del>51811QACC000</del> QM50QT-3M.62.1-01	Hood, headlamp	1	
4	<del>35131QACC000</del>	Bulb	1	
5	35180QACC000	Wire assy, light	1	
6	<del>05420Q051051</del>	Washer 5	1	
7	03411Q050121	Screw M5x12	1	
8	<del>35601QACC000</del> QM50QT-3M.62.2.2-00	Front winker assy RH	1	
9	<del>35612QACC000</del> QM50QT-3M.62.2.2-01	Lens, front winker, RH	1	
10	<del>04010Q041301</del> GB/T845	Screw ST4.2x13	2	
11	<del>35614QACC000</del> QM50QT-3M.62.2.1-01	Body, front winker RH	1	
12	<del>35616QACC000</del>	Bulb	2	
13	35610QACC000	Wire assy front winker, RH	1	
14	<del>04010Q041301</del> GB/T845	Screw ST4.2x10	6	
15	<del>35602QACC000</del> QM50QT-3M.62.2.1-00	Front winker assy, LH	1	
16	<del>35632QACC000</del> QM50QT-3M.62.2.1-02	Lens, front winker, LH	1	
17	<del>35634QACC000</del>	Body, front winker LH	1	
18	QM50QT-3M.62.2.1-01 35630QACC000	Wire assy front winker, LH	1	

FIG.17B



17B

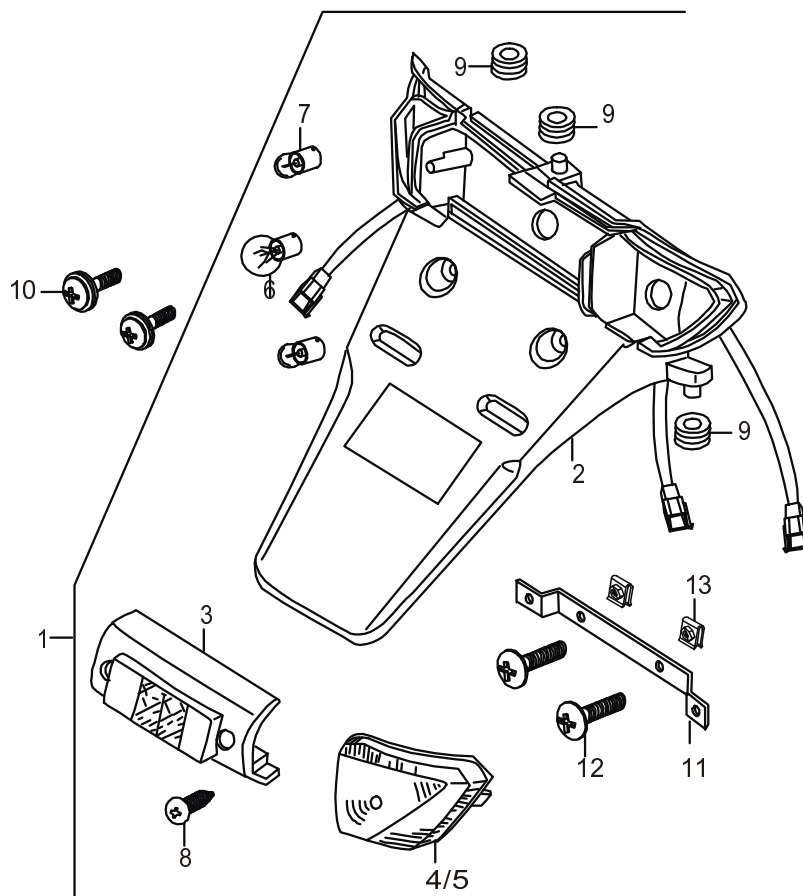
FIG.17B

ΦΑΡΑ

Ref.No.	Part No.	Description	Q'ty	Remarks
1	<u>35100QAA4000</u> QM50QT-B2.00D.2	Headlamp assy	1	
2	<u>35124QAA4000</u> QM50QT-B2.00D.2.1	Lens, light	1	
3	35632QAA4000	Lens, front winker, LH	1	
4	35612QAA4000	Lens, front winker, RH	1	
5		Reflector, headlamp	1	
6	35170QAA4000	Hood assy, headlamp	1	
7		Rae case, headlamp	1	
8		Bulb	1	
9		Wire assy, headlamp	1	
10		Bulb	2	
11		Screw	2	
12		Screw	2	
13		Adjust screw	1	
14		Spring	1	
15		Nut	1	
16	<u>04040Q041302</u> GB/T845-1985	Screw ST4.2x13	4	

QM50QT-B2

FIG.18



QM50QT-B2

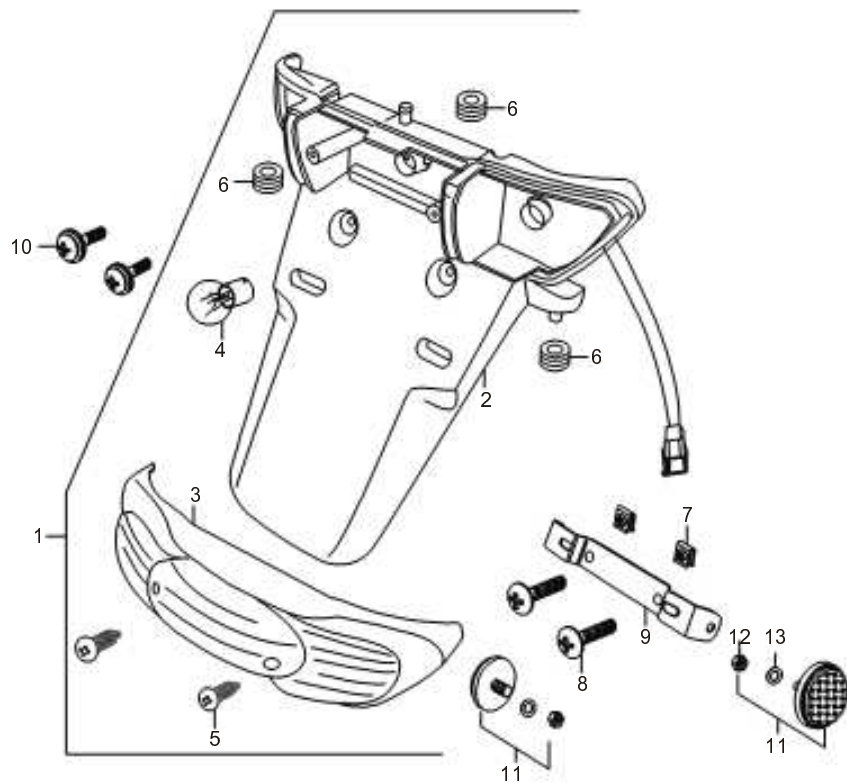
18

FIG.18

ФОНАРЬ ЗАДНИЙ

Ref.No.	Part No.	Description	Q'ty	Remarks
1	35701QAA2000 QM50QT-B.00D.4	Tail lamp assy	1	
2	63112QAA2000 QM50QT-B.39.07-1	Rear fender	1	
3	35712QAA2000	Lens, tail lamp	1	
4	35673QAA2000	Lens, rear winker LH	1	
5	35653QAA2000	Lens, rear winker RH	1	
6	35717QAA2000	Bulb, tail lamp	1	
7	07110Q009121	Bulb, rear winker 12V10W	2	
8	03451Q060161	Screw	2	
9	35764QAA2000	Cushion	3	
10	03451Q060161	Screw M6x16	2	
11	96721QAA2000	License plate	1	
12	QM50QT-B.99.1-00 09124Q060004	Screw M6x16	2	
13		Nut clip M6	2	

FIG.18A



18A

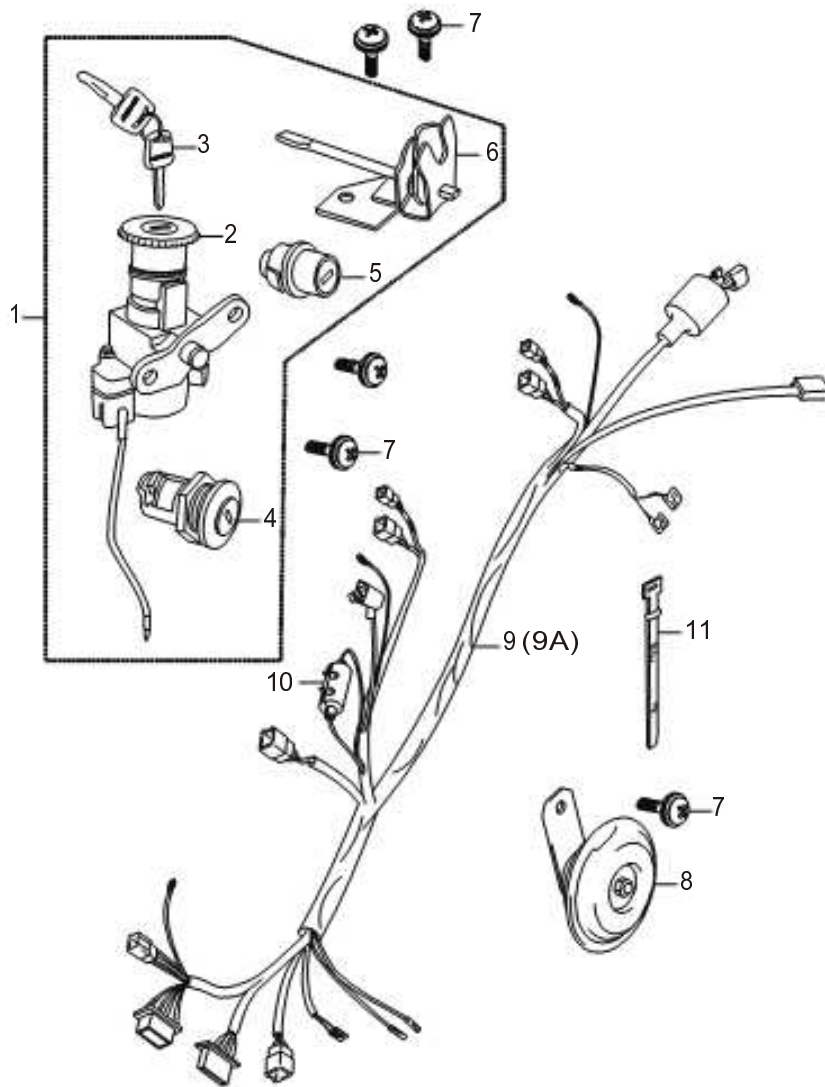
FIG.18A

ФОНАРЬ ЗАДНИЙ

Ref.No.	Part No.	Description	Q'ty	Remarks
1	<u>35702QAAA010</u> QM50QT-H.62a.5.1-00	Tail lamp assy	1	
2	63112QAA2000	Rear fender	1	
3	35712QAAA000	Lens, tail lamp	1	
4	07110Q007121	Bulb, tail lamp	1	
5		Screw	2	
6		Cushion	3	
7		Nut clip M6	2	
8		Screw M6x16	2	
9		License plate	1	
10	09124Q060004	Screw M6x16	2	
11		Reflector, side	2	
12	<u>05401Q011051</u> GB6170-2000	Nut M5	2	
13	<u>05420Q051051</u> GB96-85	Washer 5	2	

QM50QT-B2

FIG.19



QM50QT-B2

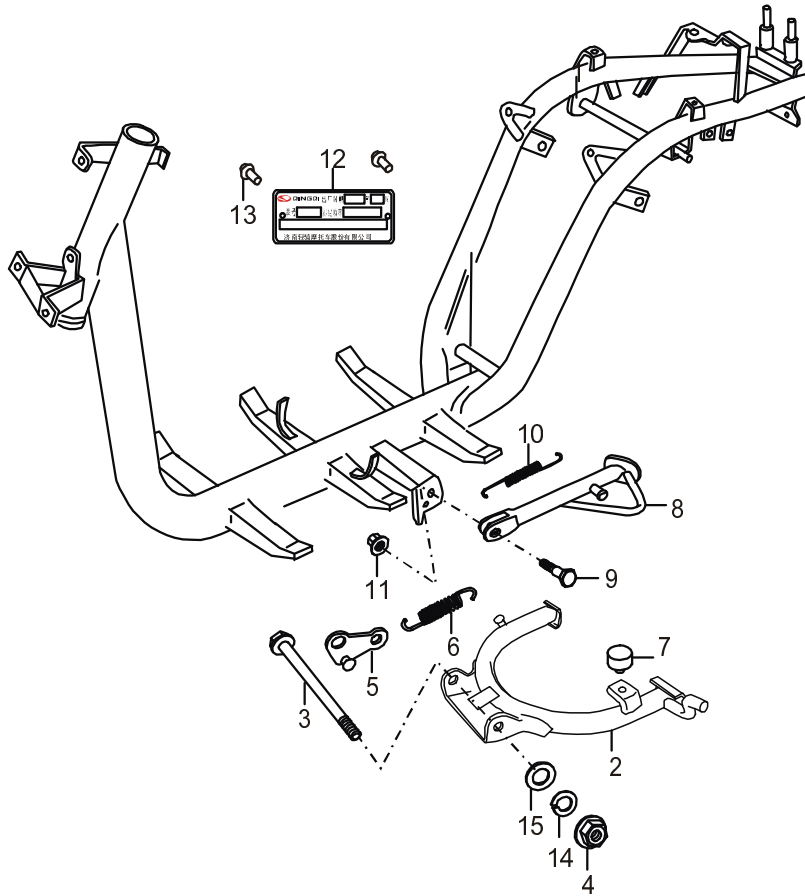
19

FIG.19

ПРОВОДКА

Ref.No.	Part No.	Description	Q'ty	Remarks
1	AS065QAA2000	Lock comp	1	
2	37101QAA2000 QM50QT-B.00D.5	Switch assy, ignition	1	
3	37158QAA2000	Key	2	
4	47700QAA2000 QM50QT-B.00D.5.1	Lock assy, inner box	1	
5	45801QAA2000	Lock set, seat	1	
6	45710QAA2000	Holder, seat lock	1	
7	03411Q260161 GB9074.3-1988	Screw M6x16	5	
8	38501QAA2000 QM50QT-B.63-00	Horn assy	1	
9	36610QAA2000 QM50QT-B.00D.1-1.	Wiring harness	1	
9A	36610QAA4030 QM50QT-B2.67c.1-00	Wiring harness	1	
10		Fuse 10A	1	
11	09407Q254001	Clamp	4	

FIG.20



QM50QT-B2

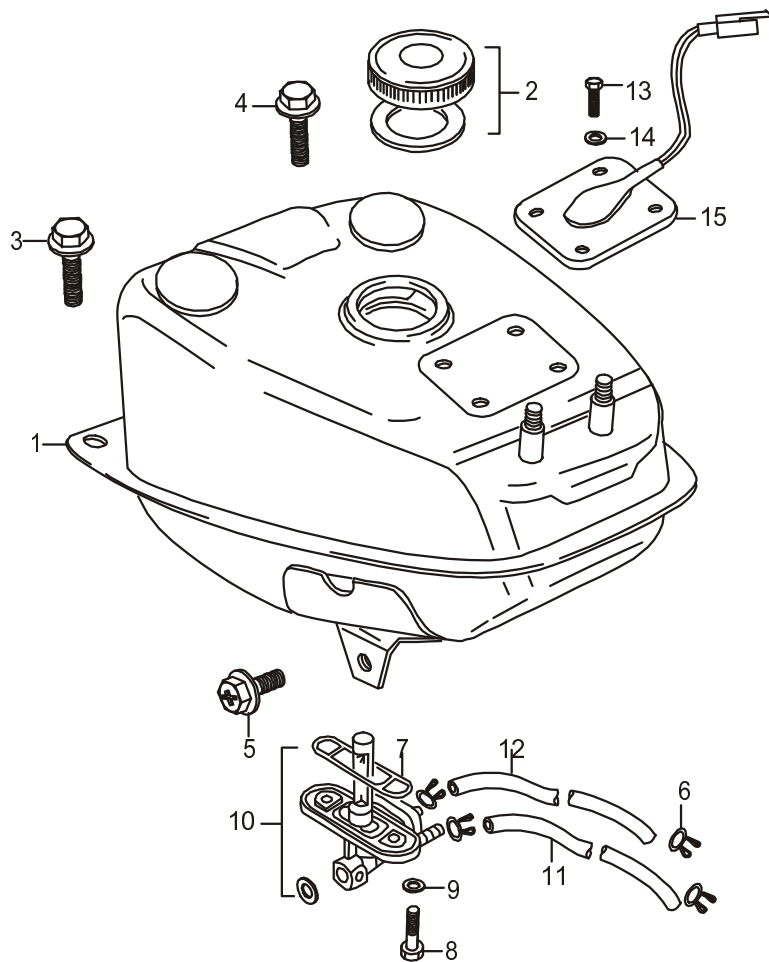
20

FIG.20

PAMA

Ref.No.	Part No.	Description	Q'ty	Remarks
1	<u>411000AA2000</u> QM50QW-B.30-00	Body comp, frame	1	
2	<u>421100AA7000</u> QM50QW.41.1	Stand center	1	
3	<u>091110080004</u> QM50QW.41-2	Shaft, center stand	1	
4	<u>054010012101</u> GB/T41-2000	Nut M10	1	
5	<u>422700AA7000</u> QM50QW.41.2	Bracket, spring	1	
6	<u>094430190001</u> QM50QW.41-1	Spring, return	1	
7	<u>093210100002</u> QM50QW.41-3	Cushion	1	
8	<u>42310QAA2000</u> QM50QT-B.49.1-00	Stand comp, side	1	
9	<u>42333QAA2000</u> QM50QT-B.49-02	Bolt, side stand	1	
10	<u>091110080006</u> QM100.49-2	Spring, side stand	1	
11	<u>054090081062</u> GB/T6187.1-2000	Nut M6	1	
12	<u>09600Q000001</u>	Frame nameplate	1	
13	05011Q220051	Rivet	2	
14	<u>054210011101</u> GB/T93-1987	Lock washer 10	1	
15	<u>054200011101</u> GB/T95-1985	Washer 10	1	

FIG.21



QM50QT-B2

21

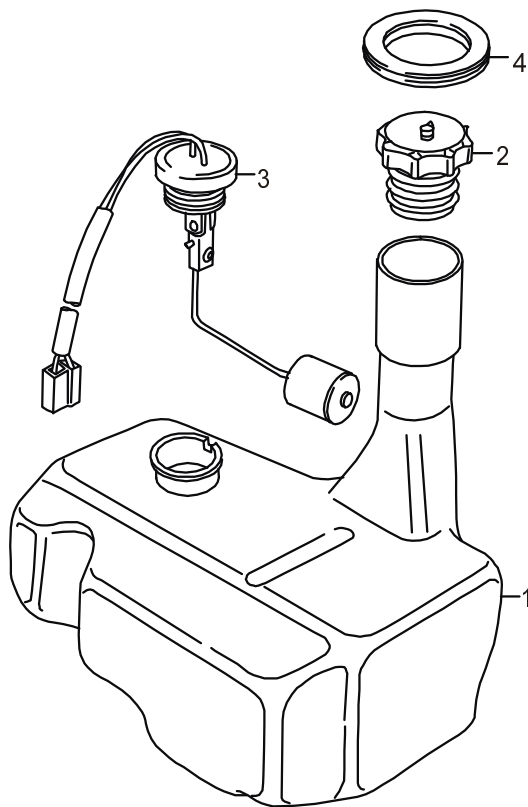
FIG.21

БЕНЗОБАК

Ref.No.	Part No.	Description	Q'ty	Remarks
1	<u>44110QAA2000</u> QM50QT-B.10.1-00	Fuel tank comp	1	
2	<u>44200QAAZ000</u> QM50QW.10.3-00	Cap, fuel tank	1	
3	<del>01614Q080201</del> GB/T9074.14-1988	Bolt M8x20	1	
4	<u>01634Q080161</u> GB/T9074.17-1988	Bolt M8x16	1	
5	<u>03411Q360161</u> GB/T9074.4-1988	Screw M6x16	2	
6	09401Q084001	Circlip, oil hose	4	
7		Packing, oil tank	1	
8	<u>01601Q060201</u> GB/T5783-2000	Bolt M6x16	2	
9	09168Q060001	Gasket	2	
10	<u>44300QAAZ000</u> QM50QW.10.2-00	Fuel lock	1	
11		Hose, fueling	1	
12		Hose, vacuum	1	
13	<u>01604Q050201</u> GB/T5783-2000	Bolt M5x25	4	
14	34861QAA2000	Gasket	4	
15	<u>34801QAA2000</u> QM50QW-B.00D.10-1	Gauge assy, fuel level	1	



FIG.22



22

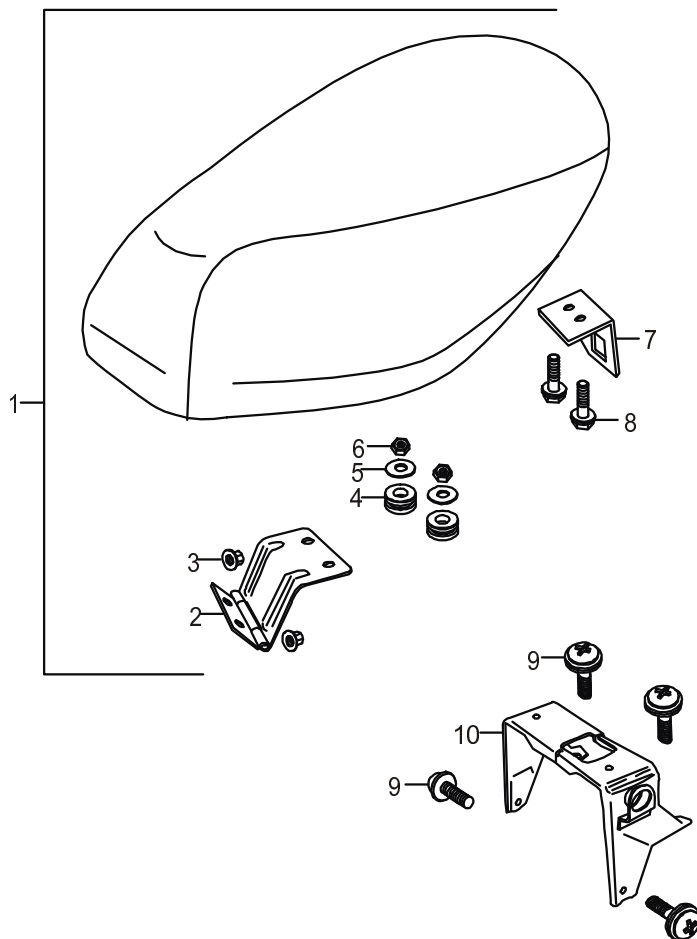
FIG.22

МАСЛЯНЫЙ БАК

Ref.No.	Part No.	Description	Q'ty	Remarks
1	<u>44611QAA2000</u> QM50QT-B.45-1	Oil tank	1	
2	44651QAA2000	Plug, oil tank	1	
3	37880QAAZ000	Gauge assy, oil level	1	
4		Cushion	1	

QM50QT-B2

FIG.23



QM50QT-B2

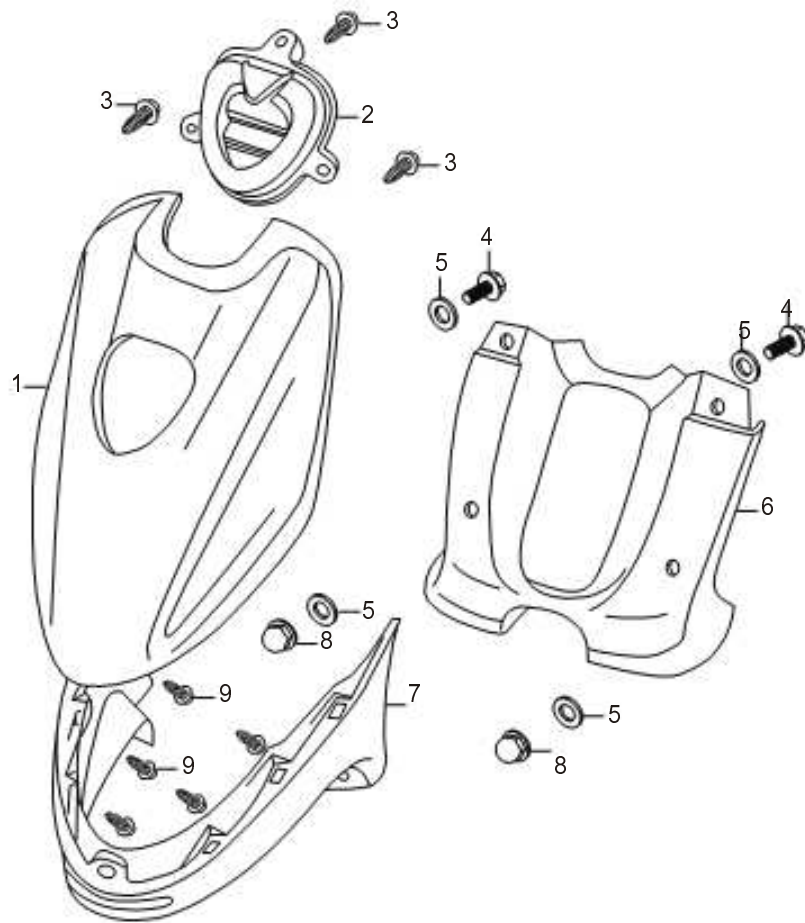
23

FIG.23

СИДУШКА

Ref.No.	Part No.	Description	Q'ty	Remarks
1	<u>45100QAA2000</u> QM50QT-B.36-00	Seat assy	1	
2		Hing bracket comp, seat	1	
3	<u>054040012064</u> GB/T6177.1-2000	Nut M6	2	
4		Cushion	2	
5	<u>054200051061</u> GB/T96-1985	Washer 6	2	
6	<u>054030011061</u> GB/T6172.1-2000	Nut M6	2	
7		Hook, seat lock	1	
8		Bolt	2	
9	<u>034110260161</u> GB/T9074.3-1988	Screw M6x16	4	
10	<u>41350QAA2000</u>	Bracket, seat lock	1	

FIG.24



QM50QT-B2

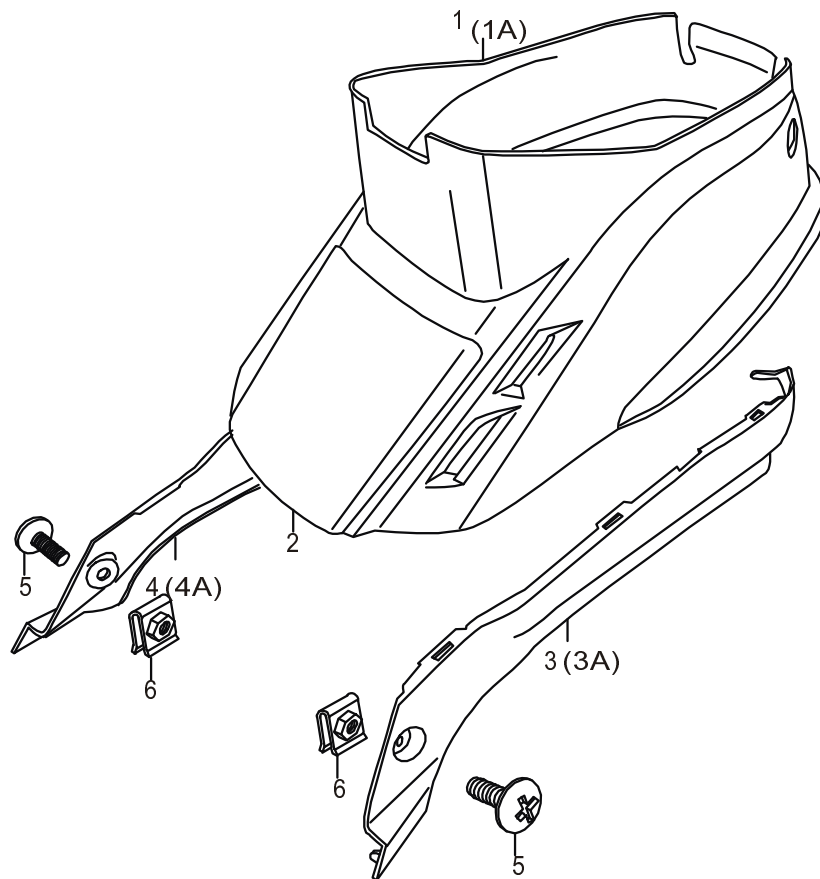
24

FIG.24

ПЛАСТИК ПЕРЕДНИЙ

Ref.No.	Part No.	Description	Q'ty	Remarks
1	48111QAA4000 QM50QT-B2.39-04	Front cover	1	
2	48112QAA4000 QM50QT-B2.39-05	Decorative cover	1	
3	04010Q041302 GB/T845-88	Screw ST4.2x13	3	
4	01613Q060201 GB/T9074.14-1988	Bolt M6x20	2	
5	05420Q051061 GB/T96-1985	Washer 6	2	
6	48137QAA4000 QM50QT-B2.39-03	Leg shield assy, front	1	
7	48138QAA4000 QM50QT-B2.39-06	Shield, front lower	2	
8	05407Q011065	Nut M6	2	
9	04010Q041001 GB/T845-1985	Screw ST4.2x10	5	

FIG.25



QM50QT-B2

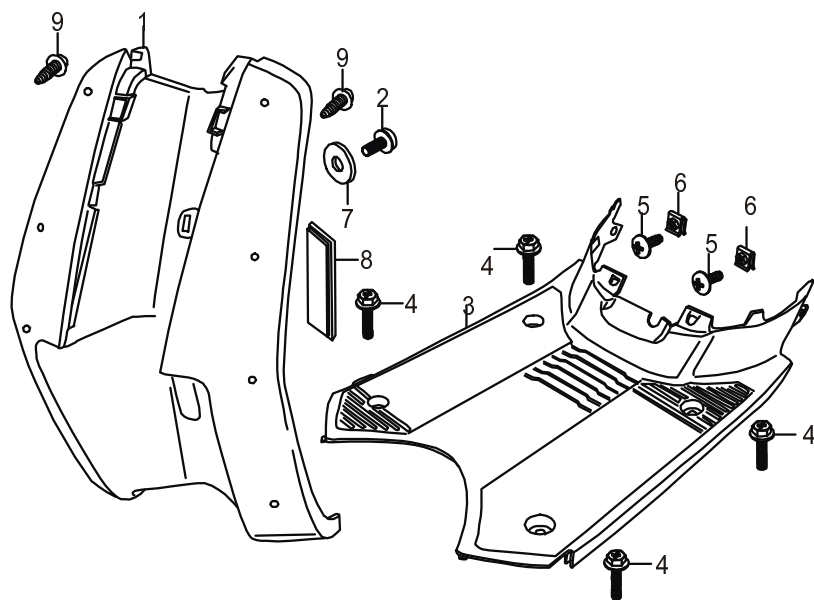
25

FIG.25

ПЛАСТИК БОКОВОЙ

Ref.No.	Part No.	Description	Q'ty	Remarks
1	47111QAA2000 QM50QT-H.46a-01	Frame cover	1	
1A	47111QAAA010 QM50QT-H.39.05-1	Frame cover	1	
2	47351QAA2000 QM50QT-B.39.05-2	Cover, center	1	
3	47231QAA2000 QM50QT-B.39.05-3	Side cover, LH	1	
3A	47231QAAA000 QM50QT-H.46-7	Side cover, LH	1	
4	47131QAA2000 QM50QT-B.39.05-4	Side cover, RH	1	
4A	47131QAAA000 QM50QT-H.46-8	Side cover, RH	1	
5		Screw	2	
6		Nut clip	2	

FIG.26



26

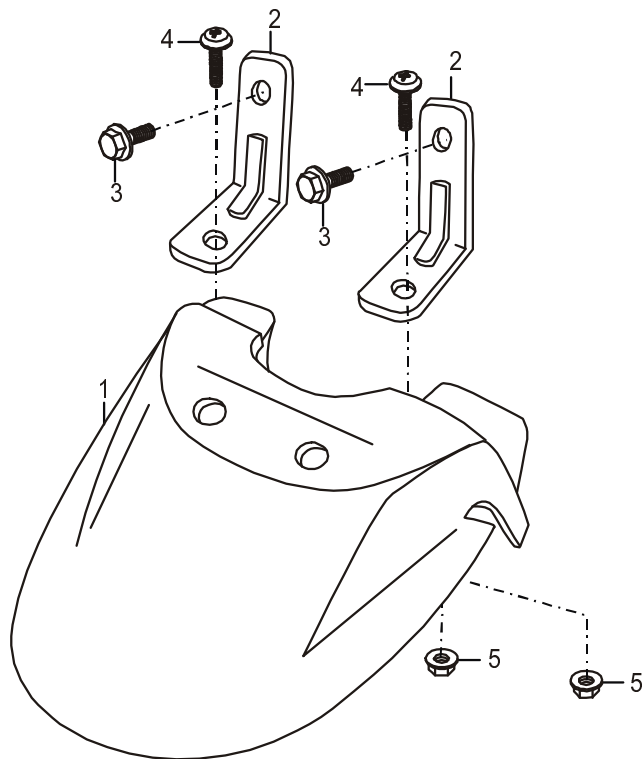
FIG.26

ПАНЕЛЬ ПОЛА

Ref.No.	Part No.	Description	Q'ty	Remarks
1	<u>484110AAA4000</u> QM50QT-B2.39-02	Leg shield, inner	1	
2	09124Q060004	Screw M6x16	1	
3	<u>481210AAA2000</u> QM50QT-B.39.04-1	Foot board	1	
4	<u>0112Q060351</u> GB/T9074.11-1988	Screw M6x35	4	
5		Screw	2	
6		Nut clip	2	
7	<u>05420Q051061</u> GB/T96-1985	Washer 6	1	
8		Inspection cap, frame No.	1	
9	<u>04010Q031001</u> GB/T845-1985	Screw ST3.9x10	2	

QM50QT-B2

FIG.27



QM50QT-B2

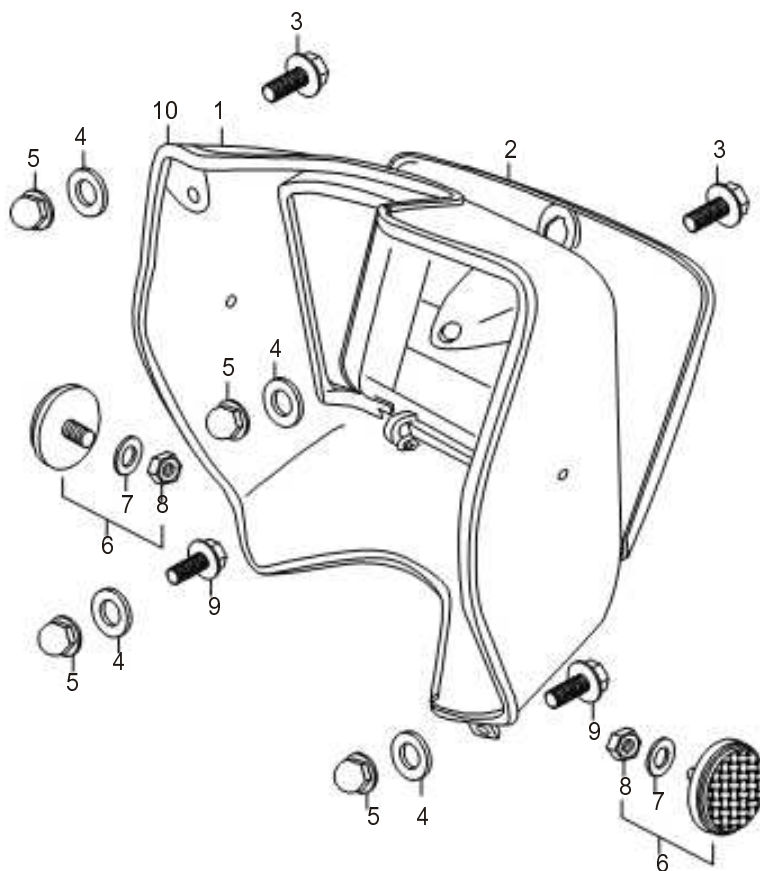
27

FIG.27

КРЫЛО ПЕРЕДНЕЕ

Ref.No.	Part No.	Description	Q'ty	Remarks
1	53182QAA4000 QM50QT-B2.39-01	Front fender	1	
2	53123QAA4000 QM50QT-B2.00-1	Bracket, front fender	2	
3	01613Q060161 GB/T9074.14-1988	Bolt M6x16	2	
4	03411Q060161 GB/T9074.3-1988	Screw M6x16	2	
5	05404Q012061 GB/T6177.1-2000	Nut M6	2	

FIG.28



28

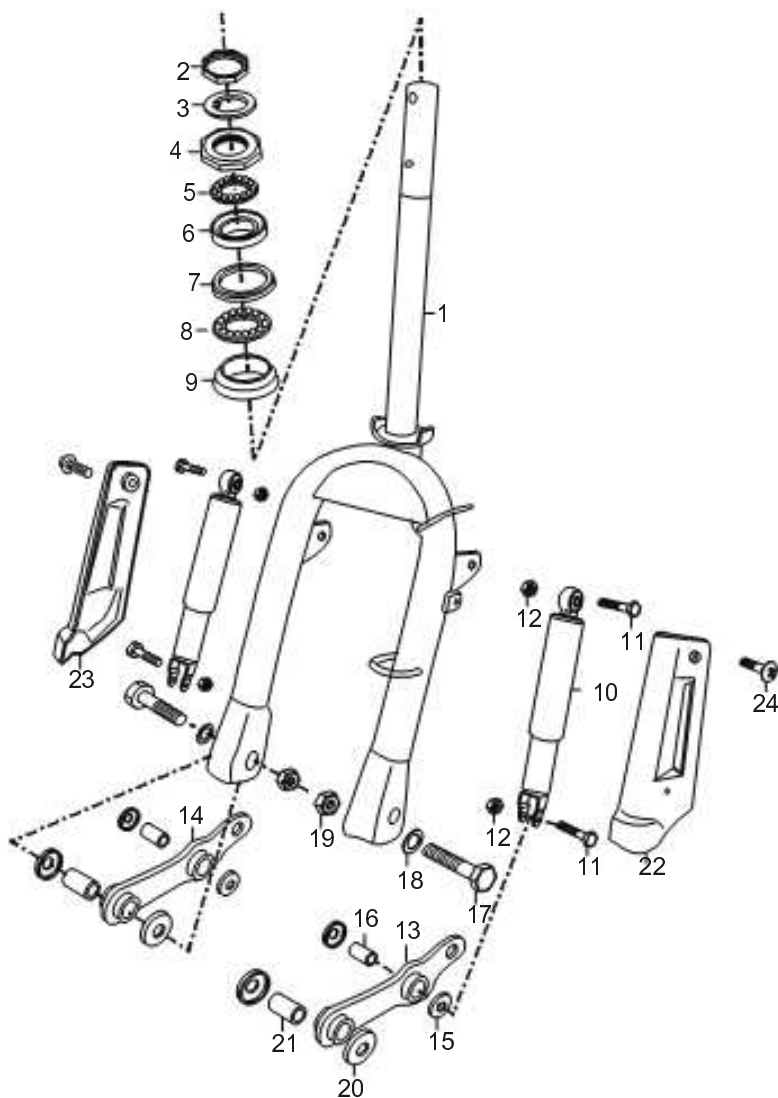
FIG.28

БАРДАЧЕК

Ref.No.	Part No.	Description	Q'ty	Remarks
1	92111QAA2000 QM50QT-B.39.9-1	Luggage box	1	
2	92112QAA2000 QM50QT-B.39.9-2	Cover, luggage box	1	
3	01613Q060181 GB/T9074.14-1988	Bolt M6x18	2	
4	05420Q051061 GB/T96-1985	Washer 6	4	
5	05407Q011065	Nut	4	
6	35950QAA2000 QM50QT-B.74.1-00	Reflect, side	2	
7	05420Q022054 GB 97.1-85	Washer 5	2	
8	05401Q012054 GB 6170-2000	Nut M5	2	
9	01613Q060201 GB/T9074.14-1988	Bolt M6x20	2	
10		Gasket	1	

QM50QT-B2

FIG.29



QM50QT-B2

29

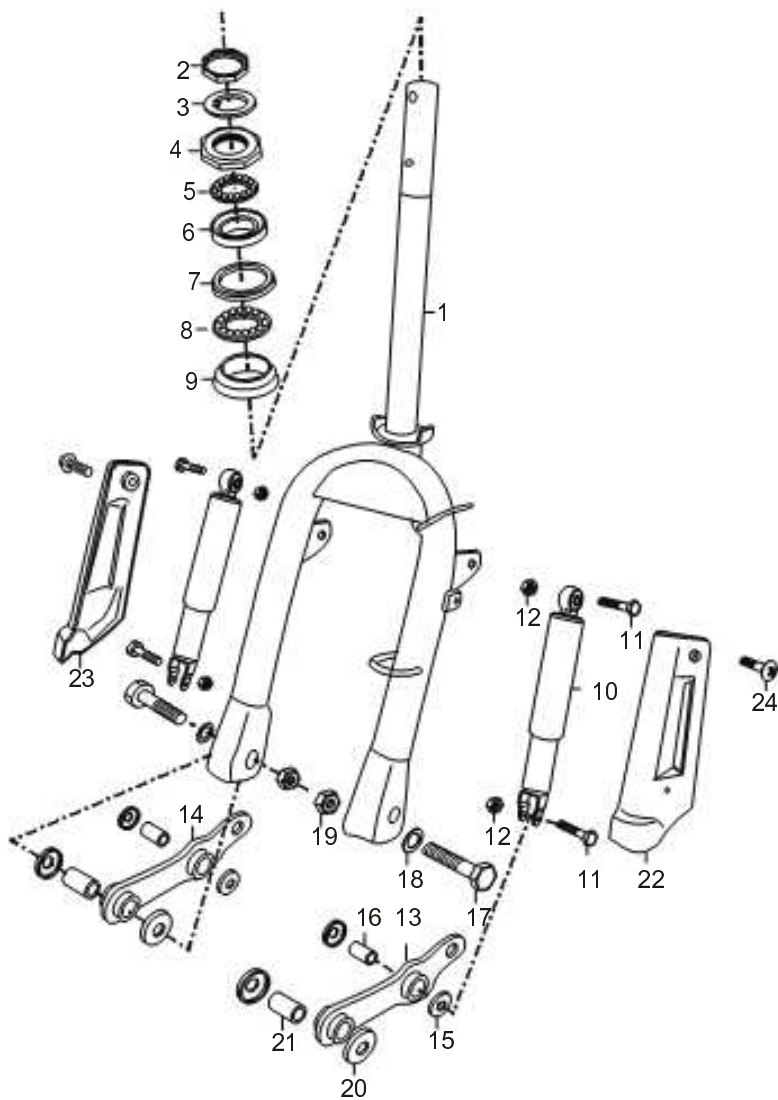
FIG.29

ПЕРЕДНЯЯ ВИЛКА

Ref.No.	Part No.	Description	Q'ty	Remarks
1	<u>51210QAA4000</u> QM50QT-B2.31.2-00	Fork, front	1	
2	<u>51631QAA2000</u> QM50QW-B.31-2	Nut lock	1	
3	<u>51635QAA2000</u> QM50QW-B.31-3	Washer, lock	1	
4	51621QAA2000	Steering race, outer upper	1	
5		Ball assy, upper	1	
6	51611QAA2000	Steering race, inner upper	1	
7		Steering race, inner lower	1	
8		Ball assy, lower	1	
9	51622QAA2000	Steering race, outer lower	1	
10	52100QAA4000	Shock absorber, front	2	
11	<u>01624Q080351</u> GB/T9074.15-1988	Bolt M8x35	4	
12	<u>05409Q041081</u> GB/T6184-2000	Nut M8	4	
13	52440QAA4000	Arm, front absorber LH	1	
14	52420QAA4000	Arm, front absorber RH	1	
15	<u>52452QAFZ000</u> AG50.31.5-00	Oil seal	4	
16	<u>52431QAFZ000</u> AG50.31-10	Spacer	2	
17	<u>01501Q1000451</u> GB/T5782-2000	Bolt M10x45	2	
18	<u>05420Q011101</u> GB/T95-1986	Washer 10	2	
19	<u>05401Q011101</u> GB/T6170-2000	Nut M10	2	
20	<u>52451QAFZ000</u> AG50.31.3-00	Oil seal	4	



FIG.29



QM50QT-B2

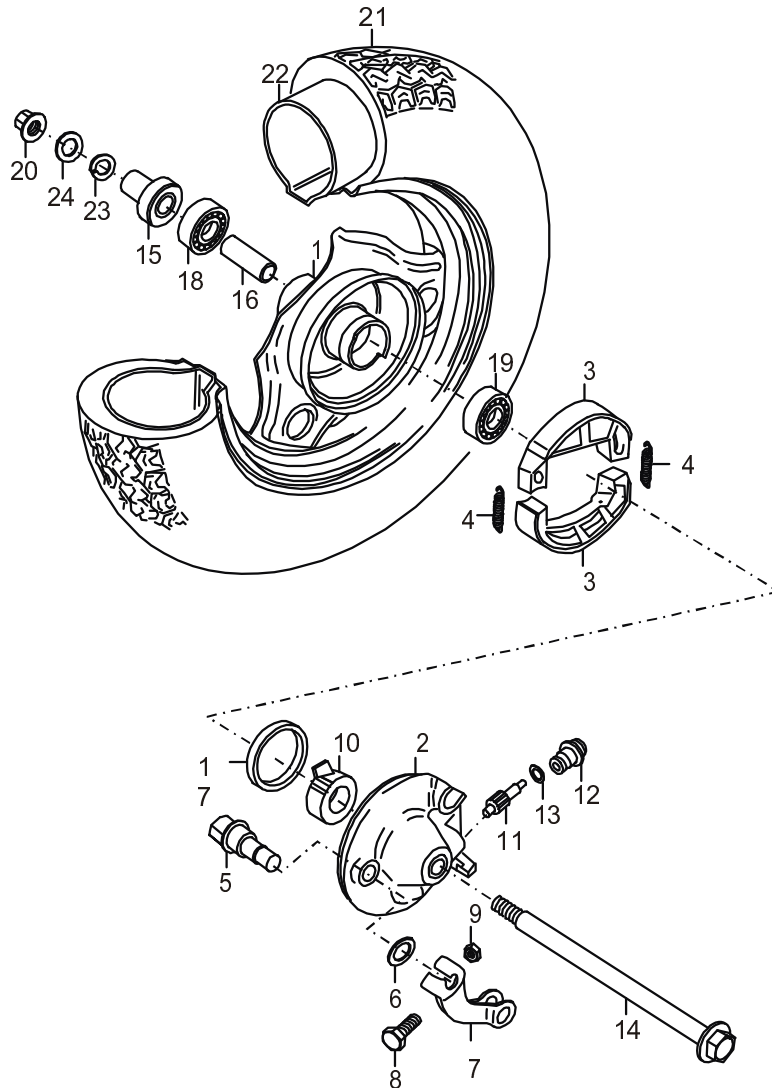
29

FIG.29

ПЕРЕДНЯЯ ВИЛКА

Ref.No.	Part No.	Description	Q'ty	Remarks
21	<u>52431OACC000</u> QM50QT-3M.31-07	Spacer	4	
22	<u>52454QAFZ000</u> AG50.31-8	Cover front fork LH	1	
23	<u>52453QAFZ000</u> AG50.31-9	Cover, front fork RH	1	
24	<u>03417O050122</u> GB/T818-2000	Screw M5x12	2	

FIG.30



QM50QT-B2

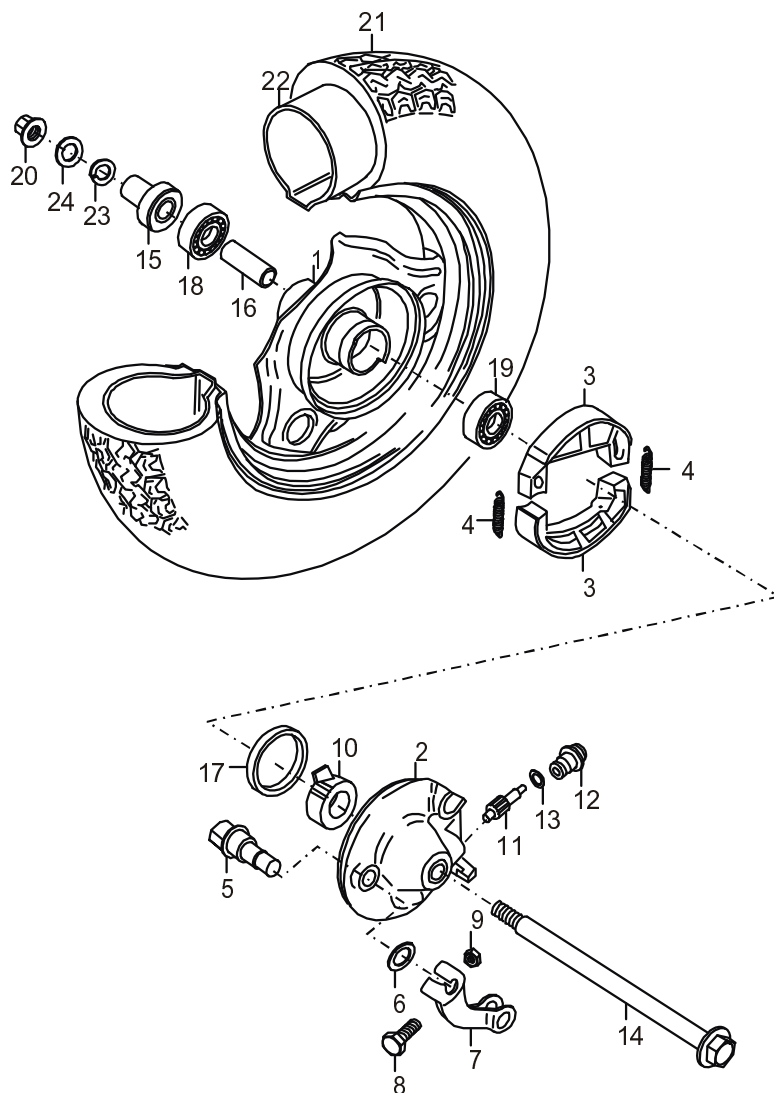
30

FIG.30

ДИСК ПЕРЕДНИЙ

Ref.No.	Part No.	Description	Q'ty	Remarks
1	<u>54140QAAZ000</u> QM50QW.33.1-00	Wheel, front	1	
2	<u>54200QAAZ000</u> QM50QW.33.4-00	Brake panel assy, front	1	
3	<u>64401QAAZ000</u> QM50QW.34.3-00	Shoe brake	2	
4	<u>54421QAAZ000</u> QM50QW.34.3-2	Spring	2	
5	<u>54441QAAZ000</u> QM50QW.33-03	Cam, front brake	1	
6	<u>05420Q01110J</u> GB/T95-1985	Washer 10	1	
7	<u>54451QAAZ000</u> QM50QW.33-04	Lever, front brake cam	1	
8	<u>01601Q050284</u> GB/T5783-2000	Bolt M5x28	1	
9	<u>05401Q012054</u> GB 6170-2000	Nut M5	1	
10	<u>54611QAAZ000</u> QM50QW.33-01	Gear, speedometer	1	
11	<u>54621QAAZ000</u> QM50QW.33-05	Pinion speedometer	1	
12	<u>54632QAAZ000</u> QM50QW.33-06	Bushing, speedometer pinion	1	
13	<u>05420Q04205J</u> GB/T848-1985	Washer 5	1	
14	<u>54711QAAZ000</u> QM50QW.33-02	Axle, front	1	
15	<u>54740QAAZ000</u> QM50QW.33.5-00	Spacer, front right	1	
16	<u>54730QAAZ000</u> QM50QW.33.6-00	Spacer, front wheel bearing	1	
17		Oil seal	1	
18	<u>05510Q000200</u> GB 278-89	Bearing	1	

FIG.30



QM50QT-B2

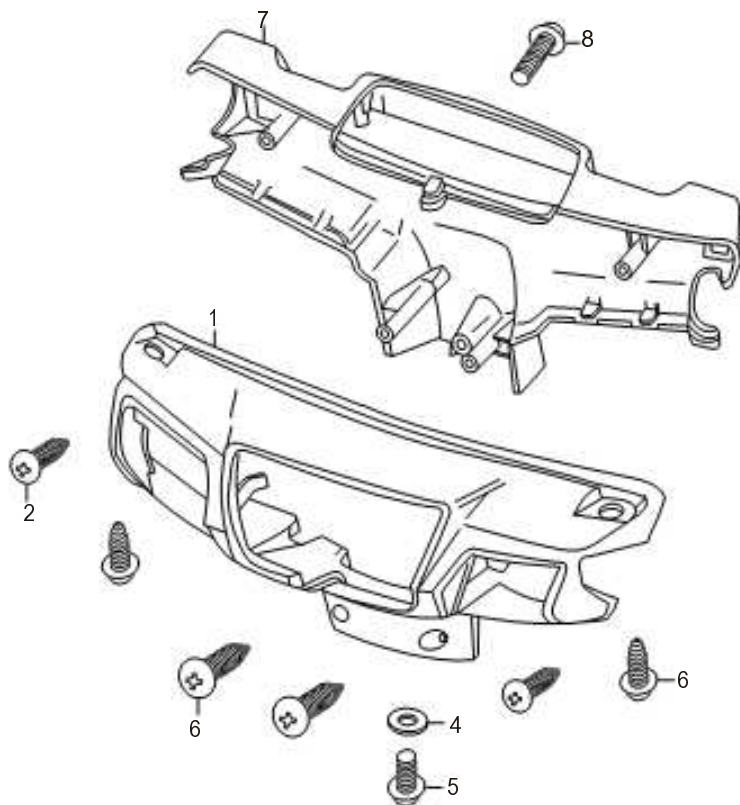
30

FIG.30

ДИСК ПЕРЕДНИЙ

Ref.No.	Part No.	Description	Q'ty	Remarks
19	<u>05530Q060201</u> GB 278-89	Bearing	1	
20	<u>05409Q101101</u> GB/T6187.2-2000	Nut M10	1	
21		Tyre, front wheel 3.00-8	1	
22		Inner tube	1	
23	<u>05241Q011101</u> GB/T93-1987	Washer 10	1	
24	<u>05421Q0011101</u> GB/T95-1985	Washer 10	1	

FIG.31



31

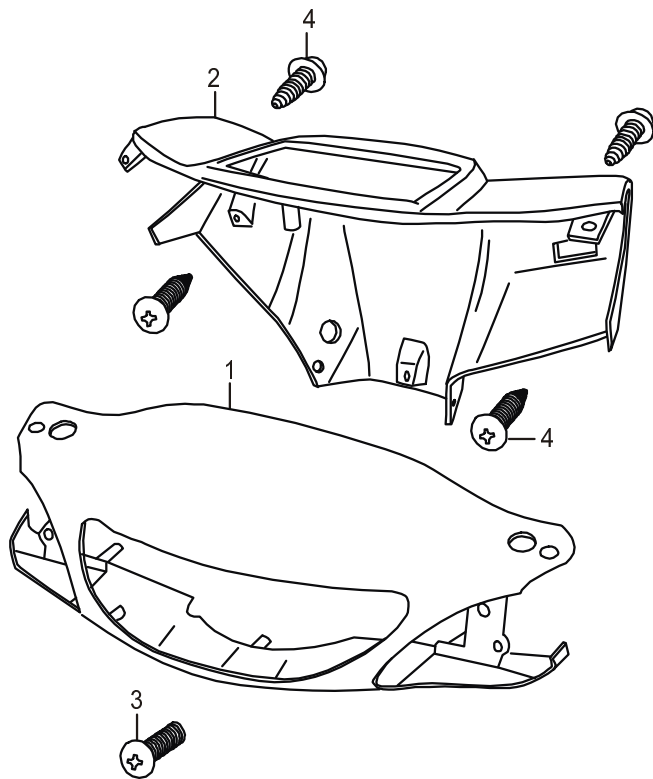
FIG.31

КРЫШКА РУЛЯ

Ref.No.	Part No.	Description	Q'ty	Remarks
1	<u>56311QAA2000</u> QM50QT-B.39.03-1	Cover, handle front	1	
2	<u>04010Q051305</u> GB/T845-88	Screw ST4.8x13	2	
3	<u>04010Q051605</u> GB/T845-88	Screw ST4.8x16	2	
4	<u>05420Q011051</u> GB/T95-1985	Washer 5	1	
5	<u>03411Q050161</u> GB/T818-2000	Screw M5x16	1	
6	<u>04010Q041305</u> GB/T845-88	Screw ST4.2x13	2	
7	<u>56321QAA2000</u> QM50QT-B.39.03-2	Cover, handle rear	1	
8	<u>03411Q050141</u> GB/T818-2000	Screw M5x14	1	

QM50QT-B2

FIG.31A



31A

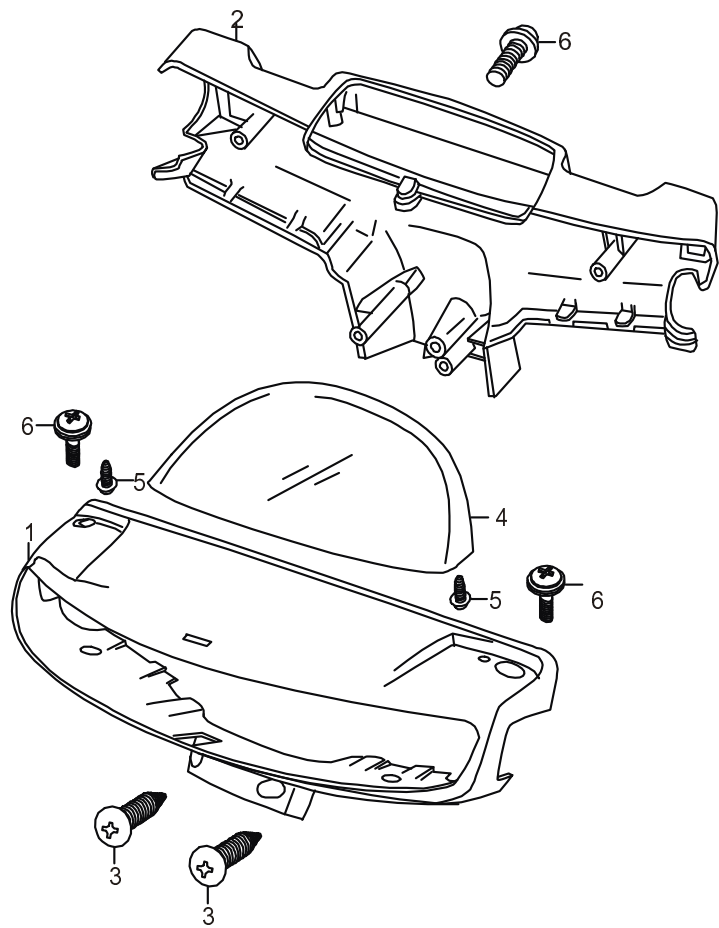
FIG.31A

КРЫШКА РУЛЯ

Ref.No.	Part No.	Description	Q'ty	Remarks
1	<u>56311QACC000</u> QM50QT-3M.46-03	Cover, handle front	1	
2	<u>56321QACC000</u> QM50QT-3M.46-04	Cover, handle rear	1	
3	<u>034110150401</u> GB/T818	Screw M5x40	1	
4	<u>04010Q041602</u> GB/T845-88	Screw ST4.2x16	4	

QM50QT-B2

FIG.31B



QM50QT-B2

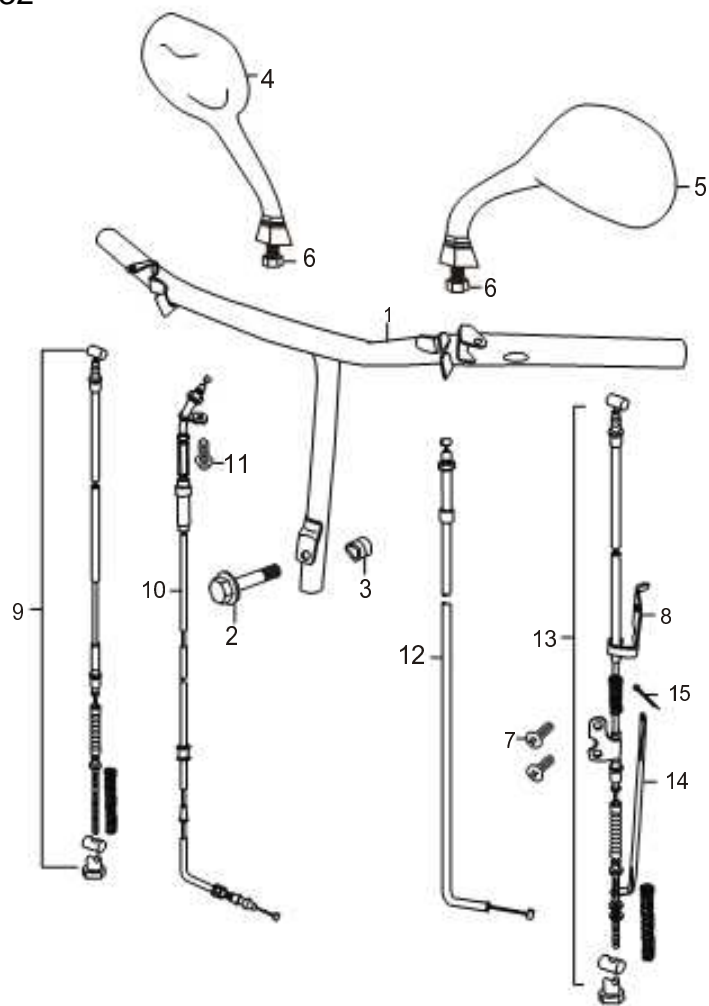
31B

FIG.31B

КРЫШКА РУЛЯ

Ref.No.	Part No.	Description	Q'ty	Remarks
1		Cover, handle front	1	
2		Cover, handle rear	1	
3	040100041305 GB/T845-88	Screw ST4.2x13	2	
4		Cover, protect	1	
5		Screw	2	
6	034110150161 GB/T9074.1-1988	Screw M5x16	3	

FIG.32



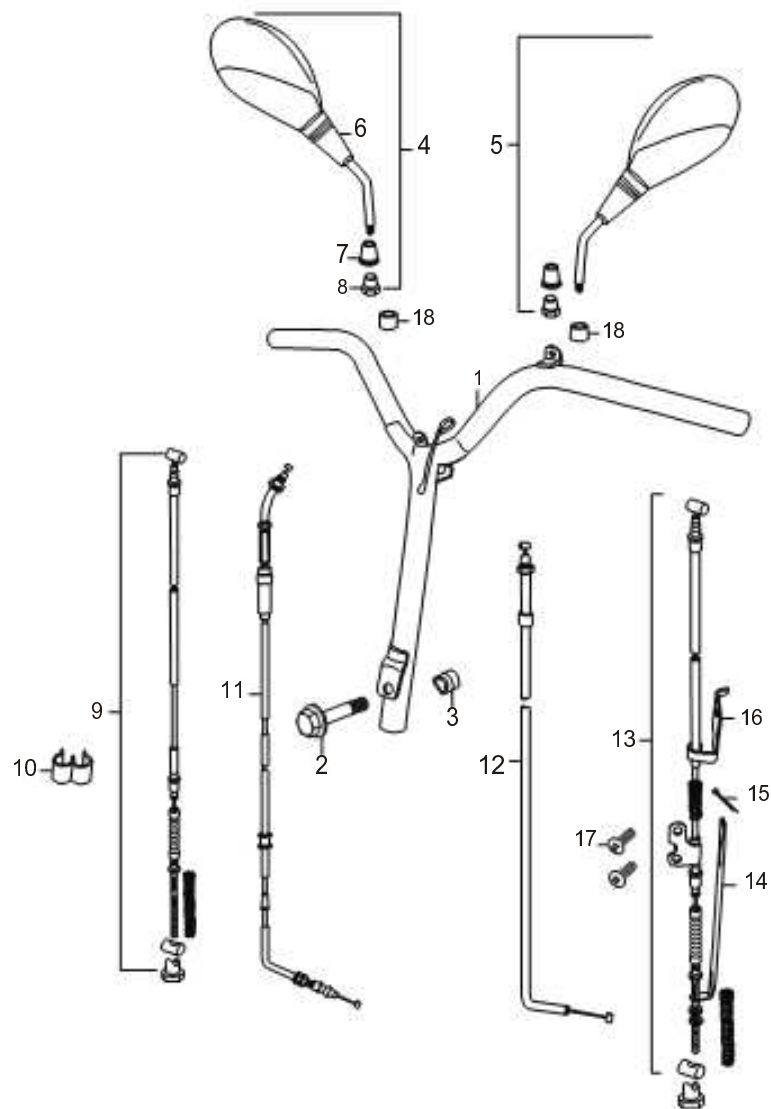
QM50QT-B2

32  
FIG.32

РУЛЬ

Ref.No.	Part No.	Description	Q'ty	Remarks
1	<u>56110QAA2000</u> QM50QW-B.32-05	Handlebar assy	1	
2	01504Q080381	Bolt M8x38	1	
3	56214QAA2000	Nut	1	
4	<u>56510QAA4000</u> QM50QW-B2.32.2-00	Mirror assy, RH	1	
5	<u>56610QAA4000</u> QM50QW-B2.32.1-00	Mirror assy, LH	1	
6		Nut	2	
7		Screw M6x12	2	
8		Clip	1	
9	<u>58100QAA4000</u> QM50QT-B2.33.3-00	Cable assy, front brake	1	
10	<u>58300QAA2000</u> QM50QW-B.32-08	Cable assy, throttle	1	
11		Screw	1	
12	<u>58400QAA2000</u> QM50QW-B.32-04	Cable assy, choke	1	
13	<u>58500QAA2000</u> QM50QT-B.34-01	Cable assy, rear brake	1	
14		Rod, rear brake	1	
15		Pin	1	

FIG.32A



QM50QT-B2

32A

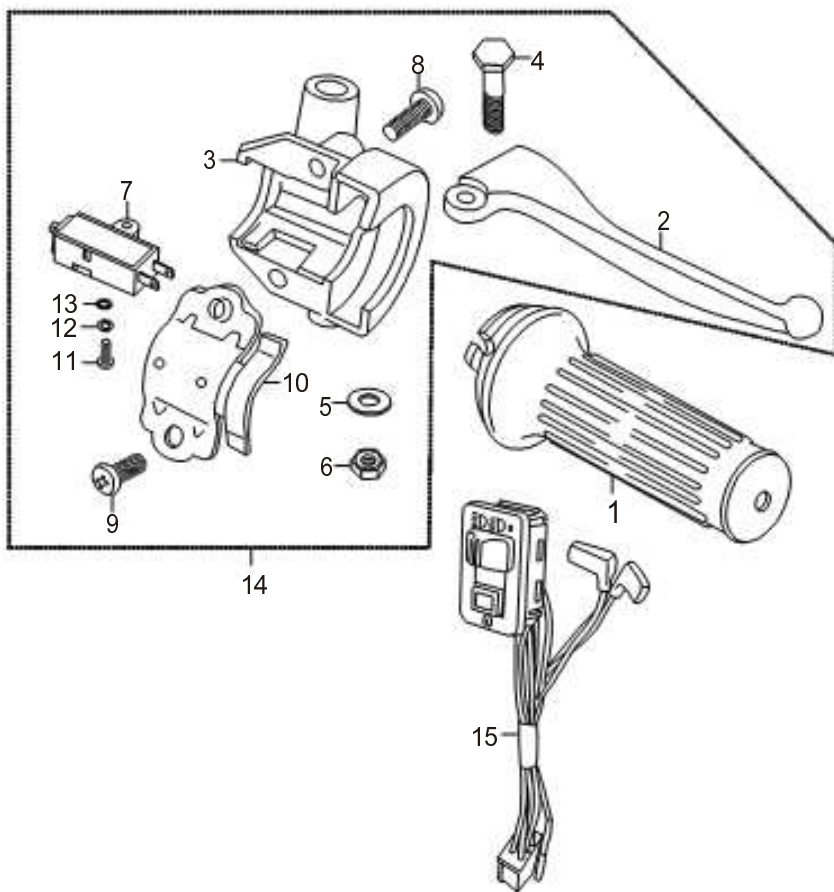
FIG.32A

PYJIB

Ref.No.	Part No.	Description	Q'ty	Remarks
1	<u>56110QAA4020</u> QM50QW-B2.32a.1-00	Handlebar assy	1	
2	01504Q080401	Bolt M8x40	1	
3	56214QAA2000	Nut	1	
4	<u>56510QACC020</u> QM50QW-3M.32a.2-00	Mirror assy, RH	1	
5	<u>56610QACC020</u> QM50QW-32M.32a.1-00	Mirror assy, LH	1	
6		Rubber	2	
7		Dust plug	2	
8		Nut	2	
9	<u>58100QAA4000</u> QM50QT-B2.33.3-00	Cable assy, front brake	1	
10		Clip	1	
11	<u>58300QAA4000</u> QM50QW-B2.32a-08	Cable assy, throttle	1	
12	<u>58400QAA2000</u> QM50QW-B.32-04	Cable assy, choke	1	
13	<u>58500QAA2000</u> QM50QT-B.34-01	Cable assy, rear brake	1	
14		Rod, rear brake	1	
15		Pin	1	
16		Clip	1	
17	<u>01611Q060161</u> GB/T9074.14-1988	Blot M6x16	2	
18		Bush	2	



FIG.33



33

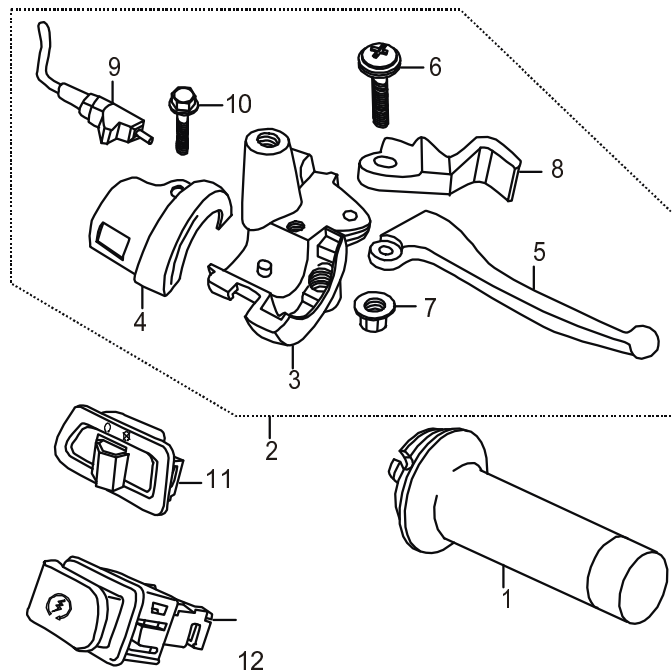
FIG.33

РУЧКА ТОРМОЗА

Ref.No.	Part No.	Description	Q'ty	Remarks
1	<u>57110QAA2000</u> QM50QW-B.32-07	Grip, throttle	1	
2	<u>57421QAA2000</u> <u>57311QAA2000</u>	Lever, front brake	1	
3	QM50QW-B.00D7.1	Bracket, handle RH	1	
4	<u>01401Q050201</u> GB/T5781-2000	Screw M5x20	1	
5	<u>05420Q052052</u> GB/T96-1985	Washer 5	1	
6	<u>05409Q041051</u> GB/T6184-2000	Nut M5	1	
7	57460QAA2000	Switch assy, front brake	1	
8	<u>03411Q050121</u> GB/T818-2000	Screw M5x12	1	
9	<u>03411Q050201</u> GB/T818-2000	Screw M5x20	1	
10	<u>57361QAA2000</u>	Band handle plate, RH	1	
11	<u>03411Q030101</u> GB/T818-2000	Screw M3x10	1	
12	<u>05421Q011031</u> GB/T93-1987	Washer 3	1	
13	<u>05420Q011031</u> GB/T95-1985	Washer 3	1	
14	<u>57300QAA2000</u> QM50QW-B.32-06	Brake lever assy, RH	1	
15	<u>37201QAA2000</u> QM50QT-B.00D.6	Switch assy, handle RH	1	

QM50QT-B2

FIG.33A



33A

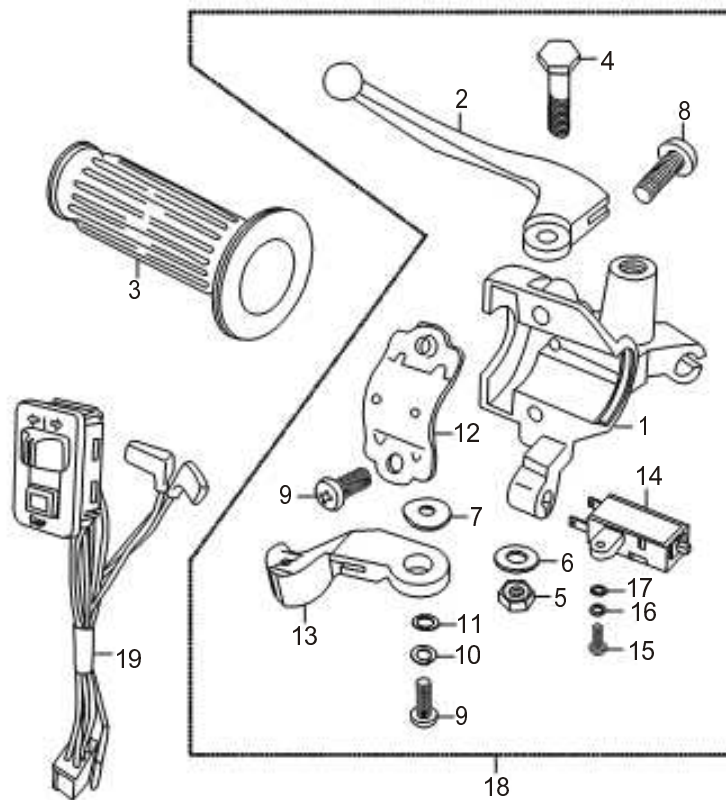
FIG.33A

РУЧКА ТОРМОЗА

Ref.No.	Part No.	Description	Q'ty	Remarks
1	57110QACC00 QM50QT-3M.32.4-00	Grip, throttle	1	
2	57300QACC00 QM50QT-3M.32.10-00	Brake lever assy, RH	1	
3	57311QACC00 QM50QT-3M.32.10-02	Bracket, handle RH	1	
4	57361QACC00 QM50QT-3M.32.10-01	Band handle plate, RH	1	
5	57421QACC00 QM50QT-3M.32.10-04	Lever, front brake	1	
6	57341QACC00	Screw	1	
7	QM50QT-3M.32-05 05409Q041064	Nut M6	1	
8	GB/T6184-2000 58721QACC00	Lever, choke	1	
9	QM50QT-3M.32-03 57460QACC00	Switch assy, front brake	1	
	QM50QT-3M.66.6-00 02104Q060164			
10	GB/T16674.1-2004 37230QACC00	Flange bolt M6x16	1	
11	QM50QT-3M..66.4-00	Lamp switch assy	1	
12	37220QACC00 QM50QT-3M.66.5-00	Starter Button assy	1	

QM50QT-B2

FIG.34



34

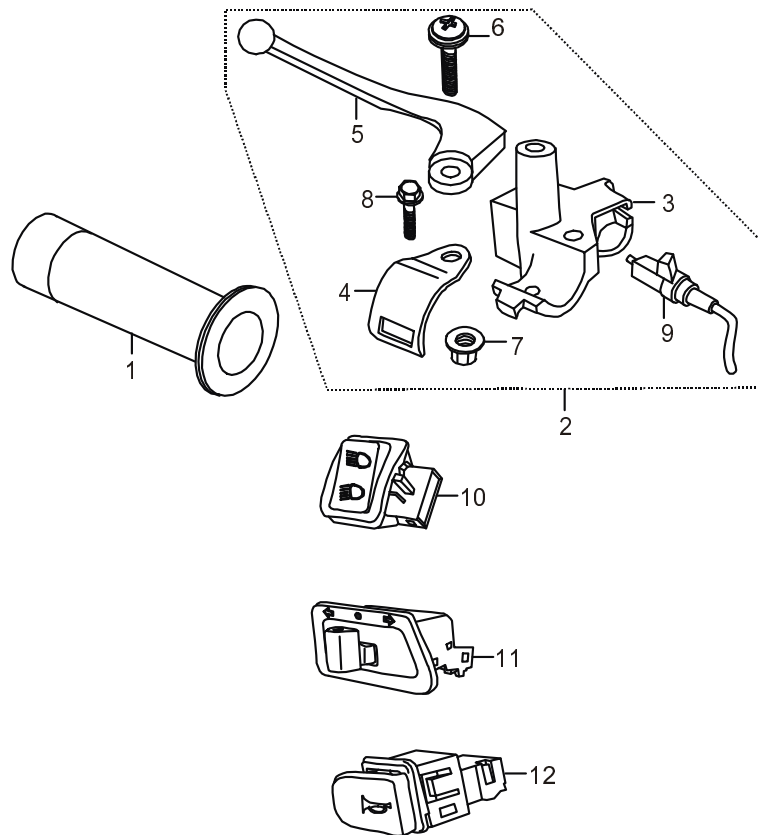
FIG.34

РУЧКА ТОРМОЗА

Ref.No.	Part No.	Description	Q'ty	Remarks
1	57511QAA2000	Bracket, handle LH	1	
2	57621QAA2000	Lever, rear brake	1	
3	57211QAA2000 QM50QW-B.32-02	Grip, throttle	1	
4	01401Q050201 GB/T5781-2000	Bolt M5x20	1	
5	05409Q041051 GB/T6184-2000	Nut M5	1	
6	05420Q052052 GB/T95-1985	Washer 5	1	
7	05422Q011051 GB/T955-1987	Lock washer	1	
8	03411Q050201 GB/T818-2000	Screw M5x20	1	
9	03411Q050121 GB/T818-2000	Screw M5x12	2	
10	05421Q011051 GB/T93-1987	Screw 5	1	
11	05420Q021054 GB/T95-1985	Washer 5	1	
12	57361QAA2000	Band handle plate, LH	1	
13	58700QAA2000	Lever, choke	1	
14	57460QAA2000	Switch assy, rear brake	1	
15	03411Q030101 GB/T818-2000	Screw	1	
16	05421Q011031 GB/T93-1987	Screw 3	1	
17	05420Q011031 GB/T95-1985	Washer 3	1	
18	57500QAA2000 QM50QW-B.32-03	Brake lever assy, LH	1	
19	37401QAA2000	Switch assy, handle LH	1	

QM50QT-B2

FIG.34A



34A

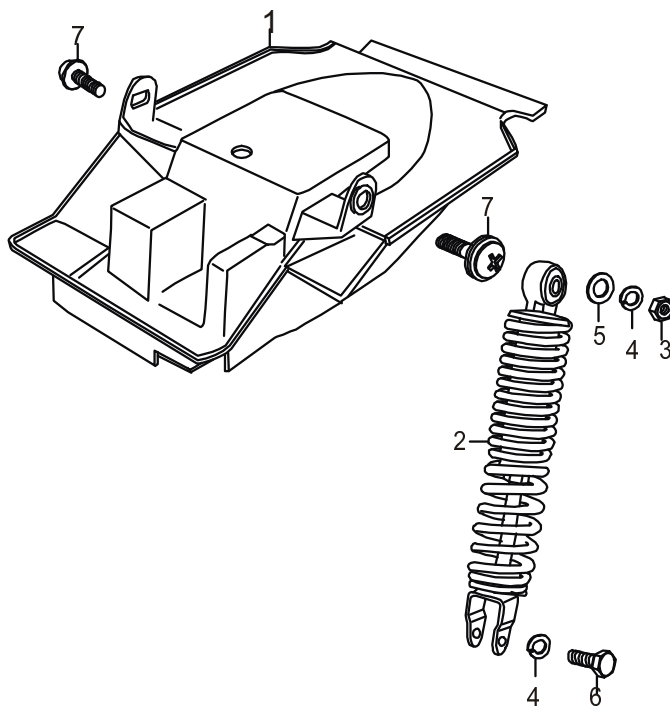
FIG.34A

РУЧКА ТОРМОЗА

Ref.No.	Part No.	Description	Q'ty	Remarks
1	<del>57210QACC000</del> QM50QT-3M.32.3-00	Grip, left	1	
2	<del>57500QACC000</del> QM50QT-3M.32.9-00	Brake lever assy, LH	1	
3	<del>57511QACC000</del> QM50QT-3M.32.9-04	Bracket, handle LH	1	
4	<del>57531QACC000</del> QM50QT-3M.32.9-07	Band handle plate, LH	1	
5	57621QACC000	Lever, rear brake	1	
6	<del>QM50QT-3M.32.9-01</del> 57634QACC000	Bolt	1	
7	<del>QM50QT-3M.32.9-03</del> 05409Q041064	Nut M6	1	
8	<del>GB/T6184-2000</del> 02104Q060164	Flange bolt M6x16	1	
9	<del>GB/T16674.1-2004</del> 57460QACC000	Switch assy, front brake	1	
10	<del>QM50QT-3M.66.6-00</del> 37420QACC000	Dimmer switch assy	1	
11	<del>QM50QT-3M.66.1-00</del> 37440QACC000	Winker switch assy	1	
12	<del>QM50QT-3M.66.2-00</del> 37450QAAC000 QM50QT-3M.66.3-00	Horn Button assy	1	

QM50QT-B2

FIG.35



35

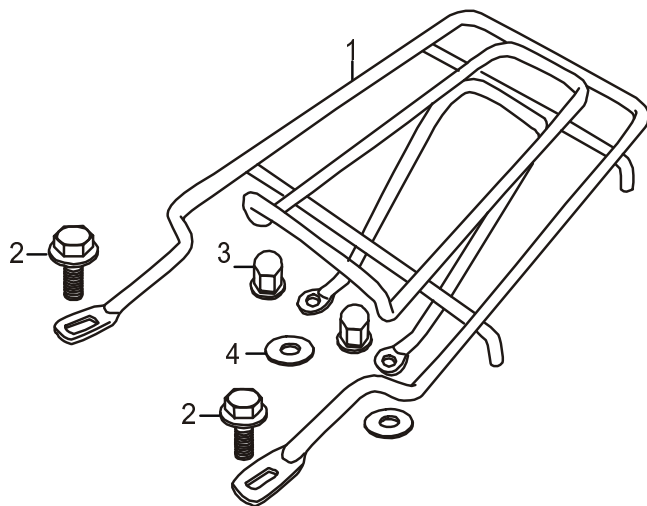
FIG.35

КРЫЛО ЗАДНЕЕ

Ref.No.	Part No.	Description	Q'ty	Remarks
1	63111QAA2000	Rear fender	1	
2	62100QAAZ000 QM50QW.35-00	Shock absorber, rear	1	
3	054010012101 GB/T6170-2000	Nut M10	1	
4	054210051101 GB/T93-1987	Washer 10	2	
5	05420Q051101 GB/T96-1985	Washer 10	1	
6	01504Q100354 GB/T5782-200-0	Bolt M10x35	1	
7	03451Q360161 GB/T9074.8-1988	Screw M6x16	2	

QM50QT-B2

FIG.36



36

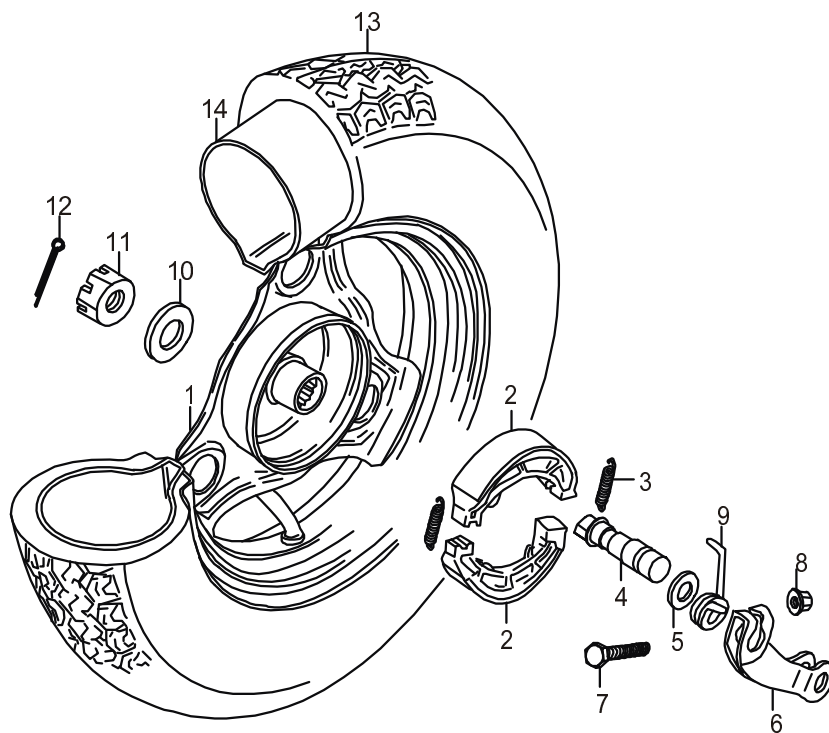
FIG.36

БАГАЖНИК

Ref.No.	Part No.	Description	Q'ty	Remarks
1	<u>46310QAA2000</u> QM50QT-B.40.1-00	Carrier, rear	1	
2	<u>01611Q060161</u> GB/T9074.14-1988	Bolt M6x16	2	
3	05407Q011064	Nut M6	2	
4	<u>46352QAA2000</u>	Gasket	2	

QM50QT-B2

FIG.37



37

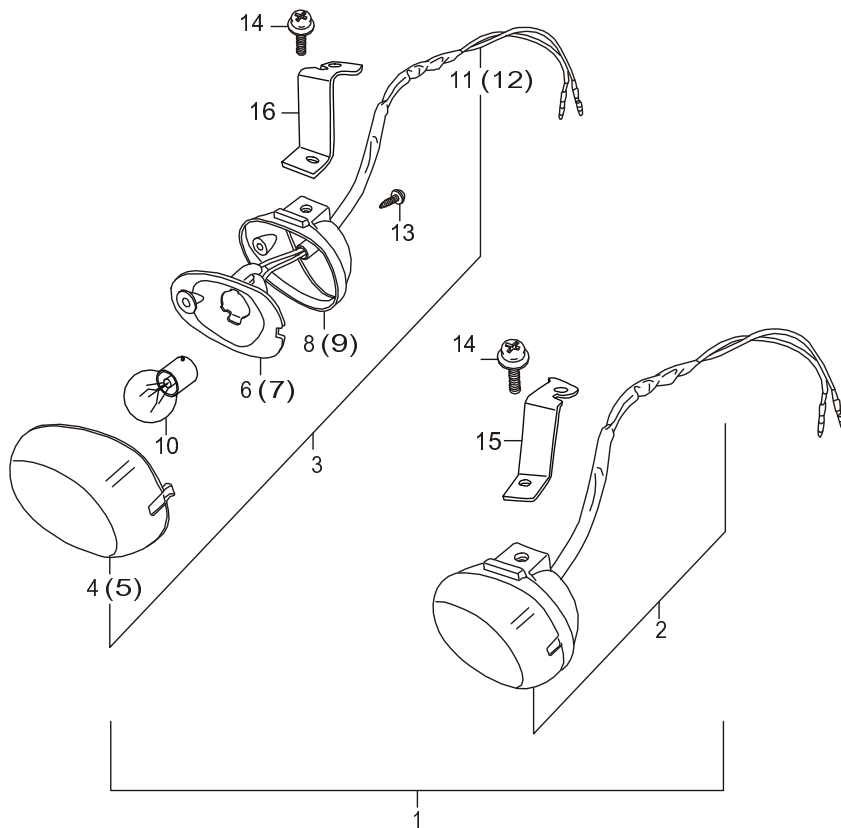
FIG.37

ДИСК ЗАДНИЙ

Ref.No.	Part No.	Description	Q'ty	Remarks
1	<u>641400AAZ000</u> QM50QW.34.1-00	Wheel, rear	1	
2	<u>644010AAZ000</u> QM50QW.34.3-00	Shoe, brake	2	
3	<u>544210AAZ000</u> QM50QW.34.3-2	Spring	2	
4	<u>644410AAZ000</u> QM50QW.34-3	Cam, rear brake	1	
5	<u>054200042051</u> GB/T848-1985	Washer 5	1	
6	<u>644510AAZ000</u> QM50QW.34-1	Lever, rear brake	1	
7	<u>015020050251</u> GB/T5782-2000	Bolt M5x25	1	
8	<u>054040012051</u> GB/T6177.1-2000	Nut M5	1	
9	<u>644610AAZ000</u> QM50QW.34-2	Spring	1	
10	<u>054200042161</u> GB/T848-1985	Washer 16	1	
11	<u>054080023161</u> GB/T9457-1988	Nut M16	1	
12	<u>044110320321</u> GB/T91-2000	Cotter	1	
13		Tyre, rear 3.00-8	1	
14		Inner tube	1	

QM50QT-B2

FIG.38  
(Option)



38

FIG.38

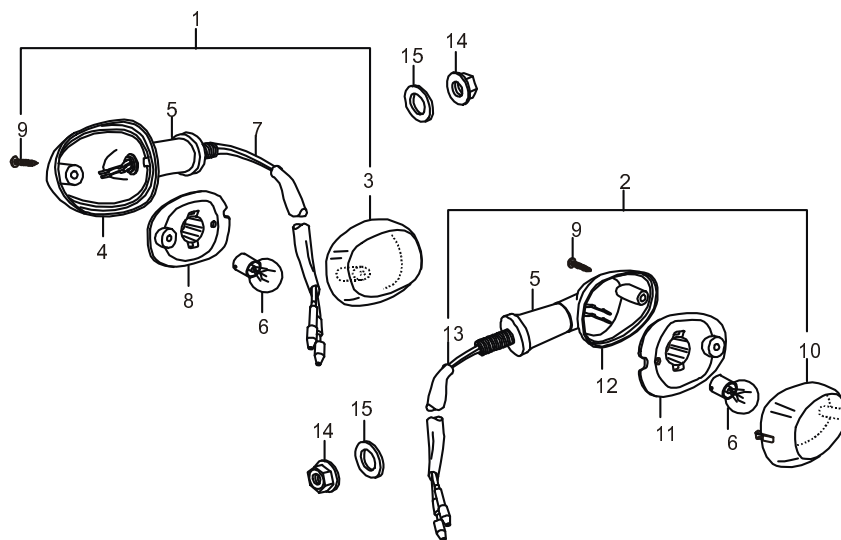
УКАЗАТЕЛИ ПОВОРОТОВ

Ref.No.	Part No.	Description	Q'ty	Remarks
1	QM125T-10E.69-00	Front winker assy	1	
2	QM125T-10E.69.1-00	Front winker assy, LH	1	
3	QM125T-10E.69.2-00	Front winker assy RH	1	
4		Lens, front winker LH	1	
5		Lens, front winker RH	1	
6		Socket assy, front winker LH	1	
7		Socket assy, front winker RH	1	
8		Body, front winker LH	1	
9		Body, front winker RH	1	
10		Bulb	2	
11		Wire assy, front winker LH	1	
12		Wire assy, front winker RH	1	
13		Screw	2	
14	GB9074.3-88	Screw M5x12	2	
15		Bracket, front winker LH	1	
16		Bracket, front winker RH	1	

QM50QT-B2



FIG.39  
(Option)



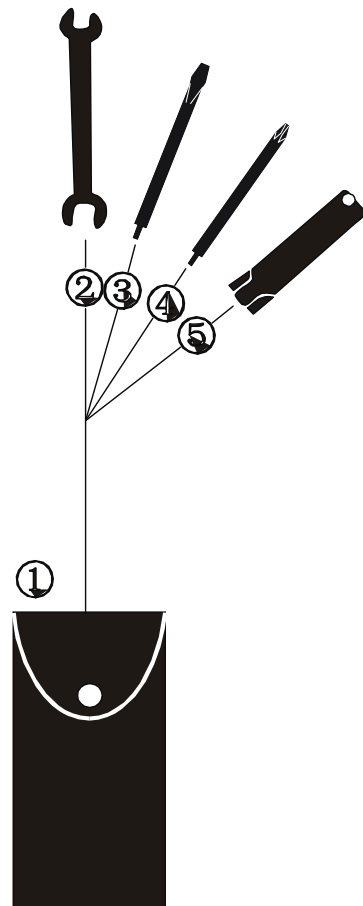
39  
FIG.39

УКАЗАТЕЛИ ПОВОРОТОВ

Ref.No.	Part No.	Description	Q'ty	Remarks
1		Rear winker, LH	1	
2		Rear winker, RH	1	
3		Lens, rear winker LH	1	
4		Case, rear winker LH	1	
5		Holder, winker	2	
6		Bulb 12V21W	2	
7		Wire assy, rear winker LH	1	
8		Reflex reflector, LH	1	
9		Screw	2	
10		Lens, rear winker RH	1	
11		Reflex reflector, RH	1	
12		Case, rear winker RH	1	
13		Wire assy, rear winker RH	1	
14		Washer	2	
15		Nut M10	2	

QM50QT-B2

FIG.40



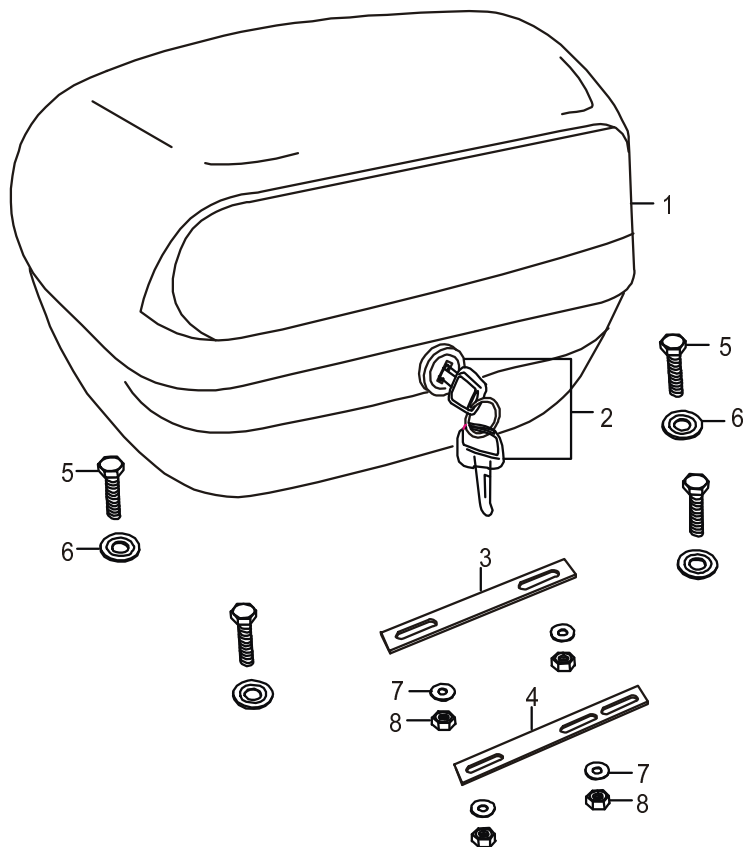
40  
FIG.40

ИНСТРУМЕНТ

Ref.No.	Part No.	Description	Q'ty	Remarks
1	09811Q000002	Bag, tool	1	
2	09813Q000004	Spanner	1	
3	09814Q000006	Screwdriver	1	
4	09814Q000005	Screwdriver	1	
5	09816Q000001	Spark plug wrench	1	

QM50QT-B2

FIG.41



41  
FIG.41

КЕЙС

Ref.No.	Part No.	Description	Q'ty	Remarks
1	93100QACC000	Rear luggage box assy	1	
2	93301QACC000	Lock assy, luggage box	1	
3	93211QACC000	Installation board I, luggage box	1	
4	93221QACC000	Installation board II, luggage box	1	
5	01601Q060401 GB/T5783-2000	Bolt M6x40	4	
6	93231QACC000	Washer	4	
7	05420Q052061 GB/T96-1985	Washer 6	4	
8	05411Q012061 GB/T6177.1-2000	Nut M6	4	

QM50QT-B2