



КАТАЛОГ ЗАПЧАСТЕЙ

FORTUNE 50

QM50QT-4G

www.SkyBike.com.ua

Внимание!

Для заказа запчастей необходимо в каталоге найти страницу с изображением интересующей вас детали. В левом верхнем углу написан код рисунка. Номер детали указан возле изображения детали. Например для заказа прокладки глушителя, для модели FORTUNE 50, вы пишете в заявке – "FIG.13 – 8 Прокладка глушителя" (или название на английском из каталога) и необходимое количество. Если группа деталей объединена скобкой, это значит, что детали продаются в комплекте.

После того, как вы определились с выбором детали, вы можете сделать заказ, уточнить наличие на складе, цену, позвонив по телефонам указанным на [сайте](#) или отправьте запрос на наш e-mail: repair@skybike.com.ua

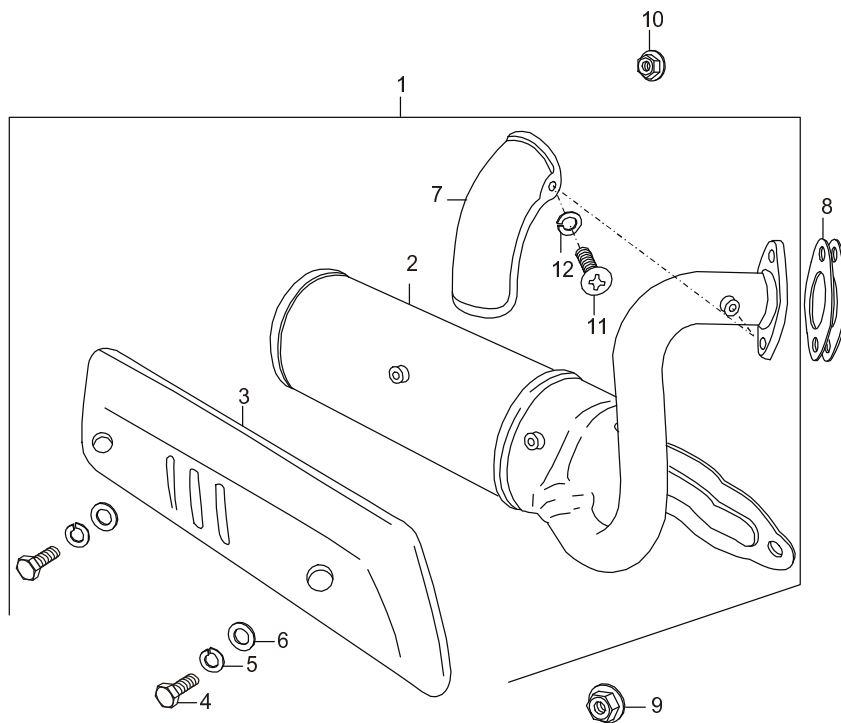
КАТАЛОГ ЗАПЧАСТЕЙ

Ref. No.		стр
FIG.13	ГЛУШИТЕЛЬ	1
FIG.14	ВОЗДУШНЫЙ ФИЛЬТР	2
FIG.15	СПИДОМЕТР	3
FIG.16	ФАРА	4
FIG.17	ЛАМПА ГАБАРИТА	5
FIG.17A	ЛАМПА ГАБАРИТА	6
FIG.18	ФОНАРЬ ЗАДНИЙ	7
FIG.19	АККУМУЛЯТОР	8
FIG.20	ЭЛЕКТРИЧЕСКИЕ ЧАСТИ	9
FIG.21	РАМА	11
FIG.22	ВИЛКА ПЕРЕДНЯЯ	12
FIG.23	РУЛЬ	14
FIG.24	ВЫКЛЮЧАТЕЛИ РУЛЕВЫЕ	15
FIG.25	ДИСК ПЕРЕДНИЙ	16
FIG.26	ДИСК ЗАДНИЙ	18
FIG.27	ПЛАСТИК РАМЫ	19
FIG.28	СИДУШКА	20
FIG.29	КРЫЛО ЗАДНЕЕ	21
FIG.30	ПЕРЕДНИЙ ПЛАСТИК	22
FIG.30A	ПЕРЕДНИЙ ПЛАСТИК	23
FIG.31	ВНУТРЕННИЙ ПЛАСТИК	25
FIG.32	ПАНЕЛЬ ПОЛА	26
FIG.33	ИНСТРУМЕНТ	27
FIG.34	БЕНЗОБАК	28

КАТАЛОГ ЗАПЧАСТЕЙ

Ref. No.		стр
FIG.35	МАСЛЯНЫЙ БАК	29
FIG.36	ПОДНОЖКИ	30
FIG.37	БАГАЖНИК	31
FIG.38	КЕЙС	32

FIG.13



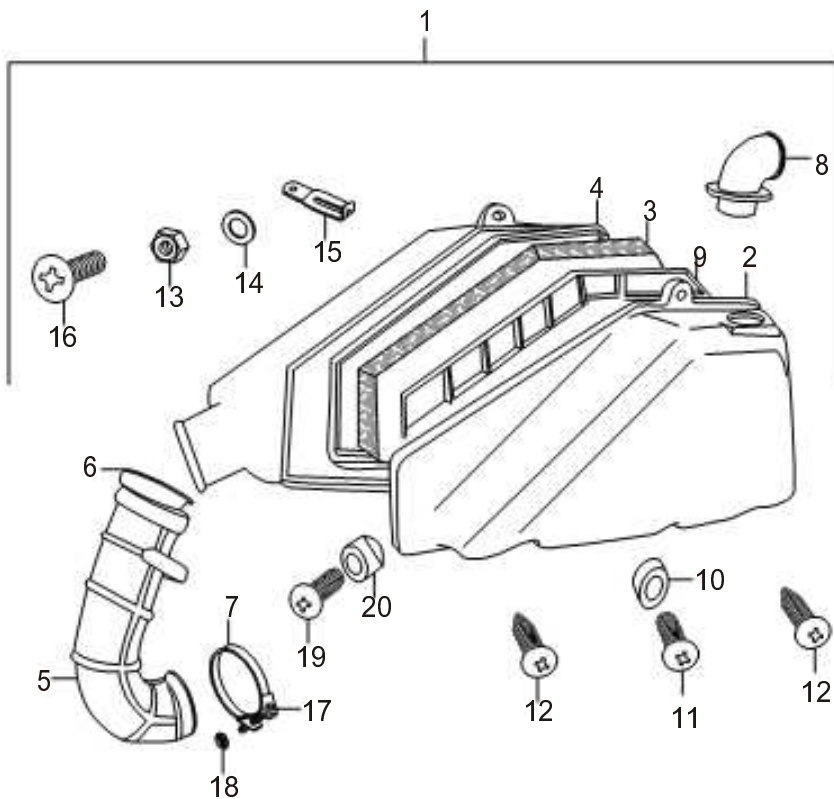
13

FIG.13

ГЛУШИТЕЛЬ

Ref.No.	Part No.	Description	Q'ty	Remarks
1	14300QACC00	Muffler assy	1	
2	14310QACZ00 DIE41QMB-2.09.1-00	Body, muffler	1	
3	14781QACC00 QM50QT-3M.09-01	Cover, muffler	1	
4	01504Q060144 GB/T5782-2000	Bolt M6x14	2	
5	05421Q021064 GB859-87	Lock washer 6	2	
6	05420Q022064 GB97.1-85	Washer 6	2	
7	14156QACZ000 DIE41QMB-2.09-02	Cover, exhaust pipe	1	
8	14189QACC000	Gasket, exhaust pipe	2	
9	05409Q081081 GB/T6187.1-2000	Nut M8	1	
10	05404Q011061 GB/T6177.1-2000	Nut M6	2	
11	03411Q060082 GB818-85	Screw M6x8	2	
12		Lock washer 6	2	

FIG.14



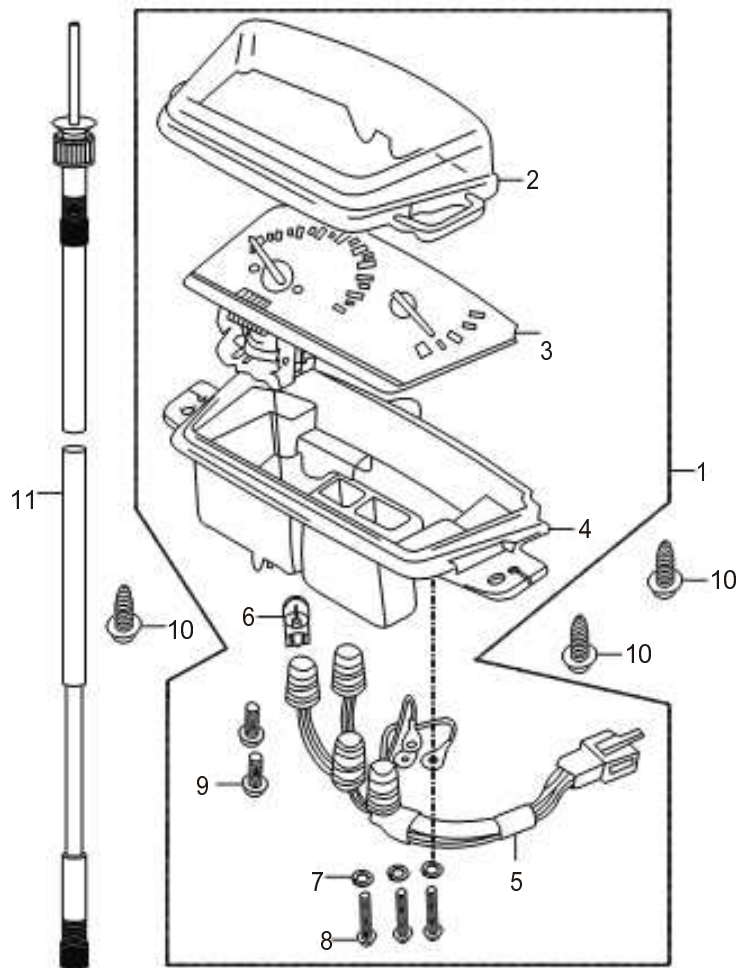
14

FIG.14

ВОЗДУШНЫЙ ФИЛЬТР

Ref.No.	Part No.	Description	Q'ty	Remarks
1	<u>13701QACZ000</u> D1E41QMB-2.11-00	Air cleaner assy	1	
2		Cover, air cleaner	1	
3	D1E41QMB-2.11-04	Filter	1	
4	<u>13746QACZ000</u> D1E41QMB-2.11-03	Seal	1	
5	D1E41QMB-2.11-03	Tube, inlet	1	
6	<u>13883QACZ000</u> D1E41QMB-2.11-02	Spring clamp	1	
7	<u>13820QACZ000</u> D1E41QMB-2.11.1-00	Clamp	1	
8		Hose, air cleaner	1	
9	<u>13791QACZ000</u> D1E41QMB-2.11-11	Retainer, filter	1	
10	D1E41QMB-2.11-10	Bush II	1	
11	GB818-2000	Screw M6x25	1	
12	<u>04010Q051902</u> GB/T845	Screw	2	
13	<u>05411Q01205</u> GB/T41-2000	Nut	1	
14		Washer	1	
15	<u>13824QACZ000</u> D1E41QMB-2.11-13	Clip	1	
16		Screw	1	
17	GB818-2000	Screw M4x20	1	
18	GB6170-2000	Nut M4	1	
19	GB818-2000	Screw M6x16	1	
20	D1E41QMB-2.11-02	Bush I	1	

FIG.15



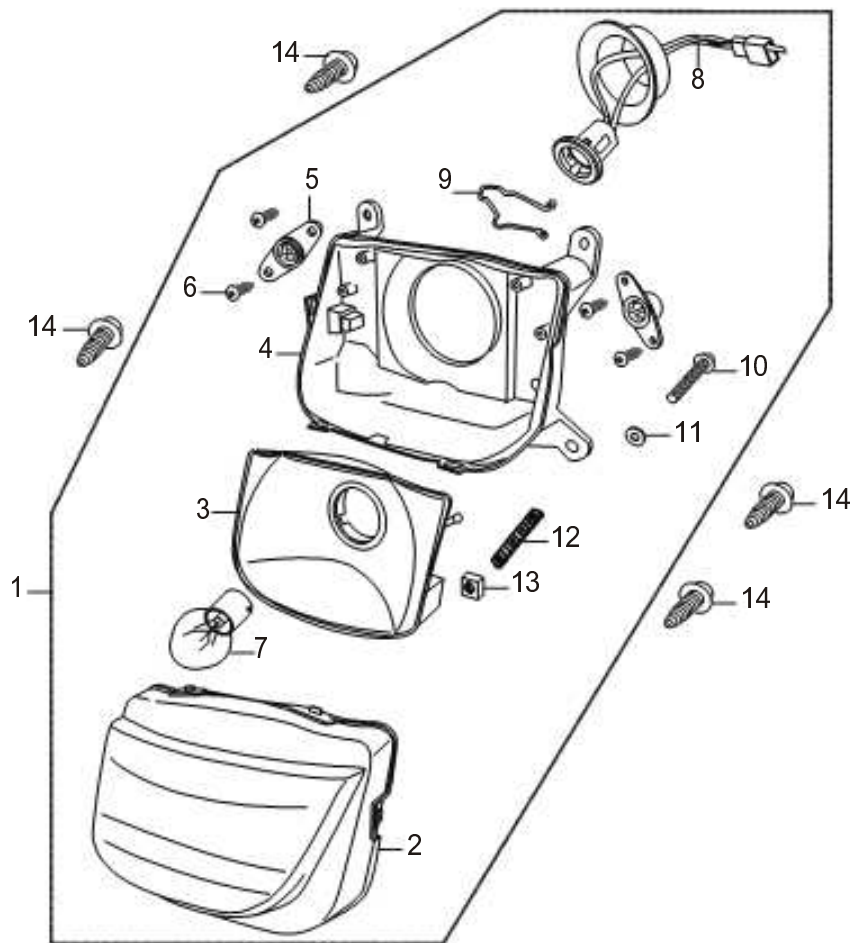
15

FIG.15

СПИДОМЕТР

Ref.No.	Part No.	Description	Q'ty	Remarks
1	<u>34102QAD4000</u> QM50QT-4G.64.1-00	Speedometer assy	1	
2	<u>34111QAD4000</u> QM50QT-4G.64.1-03	Upper case	1	
3	34141QAD4000	Dial plate assy, speedometer	1	
4	<u>34112QAD4000</u> QM50QT-4G.64.1-02	Lower case	1	
5	<u>341730QACD000</u> QM50QT-4G.64.1.1-00	Wiring harness speedometer	1	
6	<u>07112Q010101</u> GB/T15766.3-2000	Bulb 12V2W	4	
7	<u>05421Q011034</u> GB/T93-1987	Washer 3	3	
8	<u>03411Q030224</u> GB/T818-2000	Screw M3x22	3	
9	<u>03411Q040084</u> GB/T818-2000	Screw M4x8	2	
10	<u>04010Q041602</u> GB/T845	Screw ST4.2x16	3	
11	<u>34910QACC000</u> QM50QT-3M.64.2-00	Cable assy, speedometer	1	

FIG.16



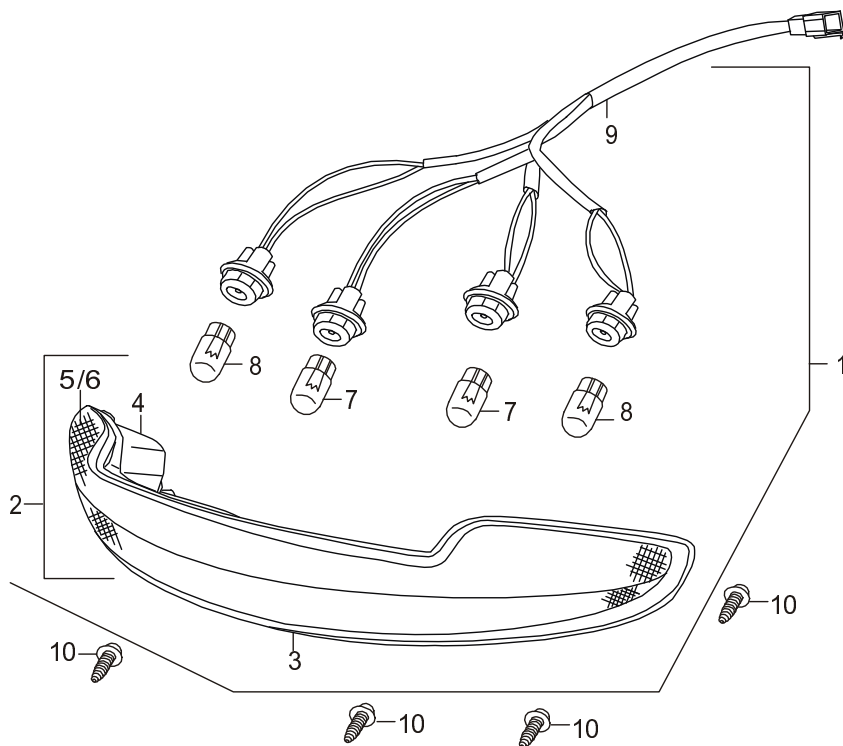
16

FIG.16

ΦAPA

Ref.No.	Part No.	Description	Q'ty	Remarks
1	35101QAD4000 QM50QT-4G.62.1.1-00	Headlamp assy	1	
2	35124QAD4000 QM50QT-4G.62.1.1-04	Lens, head lamp	1	
3	35123QAD4000 QM50QT-4G.62.1.1-03	Reflector	1	
4	51811QAD4000 QM50QT-4G.62.1.1-02	Hood, headlamp	1	
5		Holder	2	
6	04010Q031004 GB/T845	Screw ST3.9x10	4	
7	35131QAGG000	Bulb 12V25W/25W	1	
8	35180QACD000	Wire assy, headlamp	1	
9		Clip	1	
10		Adjust screw M5x35	1	
11		Washer	1	
12		Spring	1	
13		Nut	1	
14	04010Q05162 GB/T845	Screw ST4.8x16	4	

FIG.17

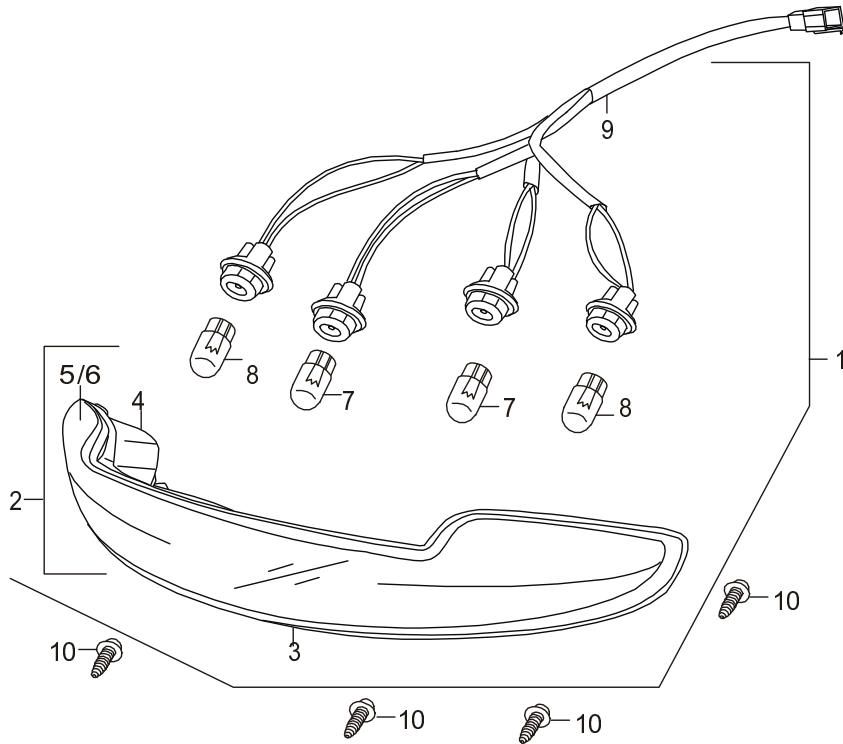


17
FIG.17

ЛАМПА ГАБАРИТА

Ref.No.	Part No.	Description	Q'ty	Remarks
1	<u>35600QAD4000</u> QM50QT-4G.62.2-00	Front winker assy	1	
2		Body assy, front winker	1	
3	36112QAD4000	Lens, front winker	1	
4	<u>35614QAD4000</u> QM50QT-4G.62.2.1-01	Body, front winker	1	
5	<u>35612QAD4000</u> QM50QT-4G.62.2.1-02	Lens, front winker, RH	1	
6	35632QAD4000	Lens, front winker, LH	1	
7	36113QACC000	Bulb 12V3W	2	
8	35616QACC000	Bulb 12V10W	2	
9		Wire assy, front winker	1	
10	<u>040100051602</u> GB/T845-85	Screw ST4.8x16	4	

FIG.17A



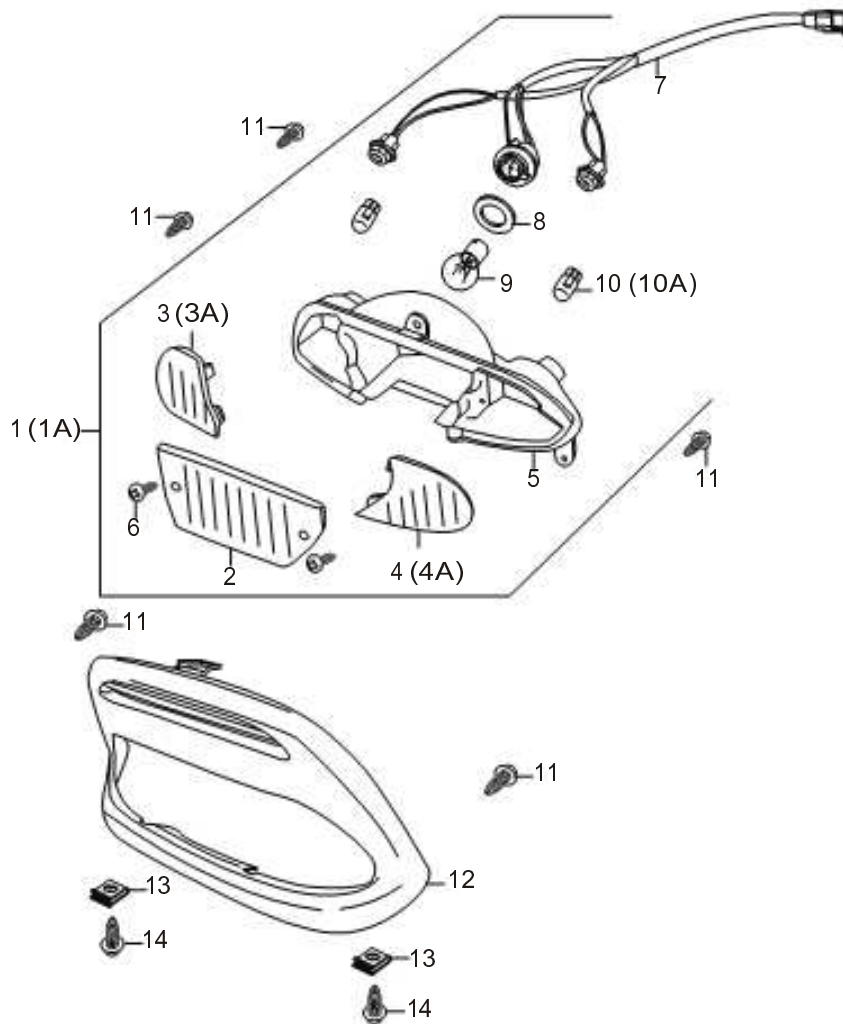
17A

FIG.17A

ЛАМПА ГАБАРИТА

Ref.No.	Part No.	Description	Q'ty	Remarks
1	<u>35600QAD4000</u> QM50QT-4G.62.2-00	Front winker assy	1	
2		Body assy, front winker	1	
3	36112QAD4000	Lens, front winker	1	
4	<u>35614QAD4000</u> QM50QT-4G.62.2.1-01	Body, front winker	1	
5	<u>35612QAD4000</u> QM50QT-4G.62.2.1-02	Lens, front winker, RH	1	
6	35632QAD4000	Lens, front winker, LH	1	
7	36113QACC000	Bulb 12V3W	2	
8	<u>35616QACC000</u>	Bulb 12V10W	2	
9		Wire assy, front winker	1	
10	<u>04010Q051602</u> GB/T845-85	Screw ST4.8x16	4	

FIG.18



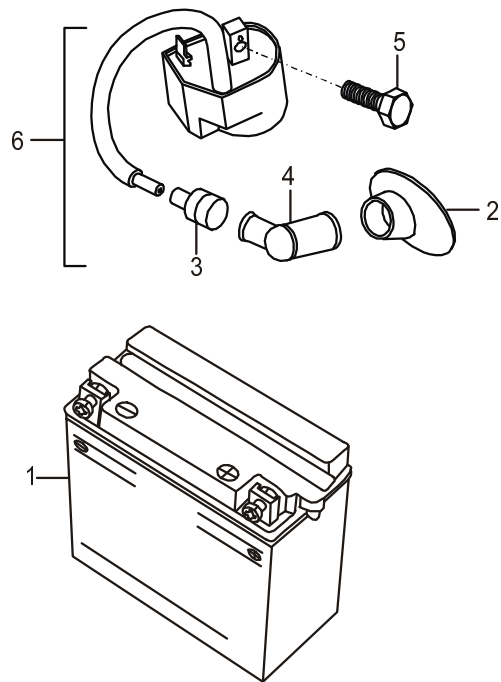
18

FIG.18

ЗАДНИЙ ФОНАРЬ

Ref.No.	Part No.	Description	Q'ty	Remarks
1	35701QACC000	Tail lamp assy	1	
1A		Tail lamp assy	1	
2	35712QAGG000	Lens, tail lamp	1	
3	35673QACC000 QM50QT-3M.62.3-01	Lens, rear winker LH	1	
3 A		Lens, rear winker LH	1	
4	35653QACC000 QM50QT-3M.62.3-03	Lens, rear winker RH	1	
4A		Lens, rear winker RH	1	
5	35715QACC000 QM50QT-3M.62.3-05	Body, tail lamp	1	
6	04010Q041304 GB/T845-85	Screw ST4.2x13	2	
7		Wire assy, tail lamp	1	
8		Seal	1	
9	07110Q007121	Bulb, tail lamp	1	
10		Bulb, rear winker 12V10W	2	
10A		Bulb, rear winker 12V10W	2	
11	04010Q041302 GB/T845-85	Screw ST4.2x13	5	
12	47331QACC000 QM50QT-3M.46-19	Cover, tail lamp	1	
13	09148Q040001	Clip	2	
14	04010Q051602 GB/T845-85	Screw ST4.8x16	2	

FIG.19



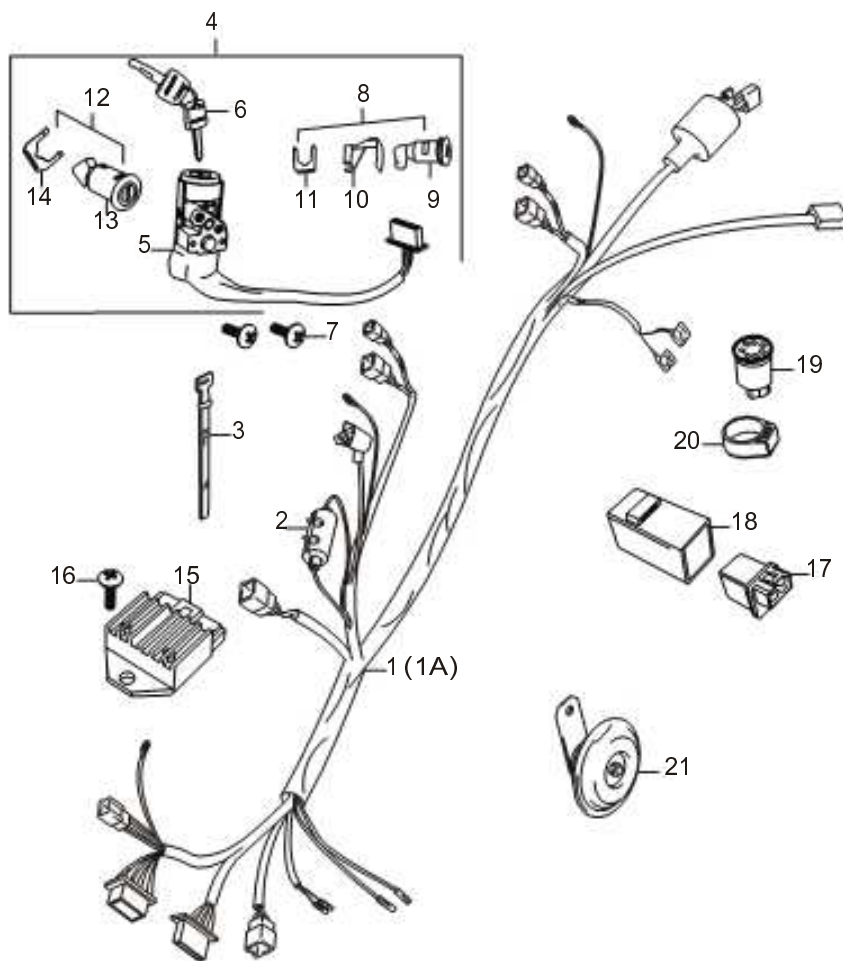
19

FIG.19

АККУМУЛЯТОР

Ref.No.	Part No.	Description	Q'ty	Remarks
1	<u>33601QAAZ000</u> QM50QW(D).60	Battery assy	1	
2	<u>33543QAA2000</u>	Seal, spark plug	1	
3	<u>33510QAA2000</u> DIE41QMB.07-02.3	Cap, spark plug	1	
4	<u>33542QAA2000</u>	Seal, high tension cord	1	
5	<u>01602Q060251</u> GB5783	Bolt M6x25	1	
6	<u>33410QAA2000</u> DIE41QMB.07.3.1-00	Ignition coil	1	

FIG.20



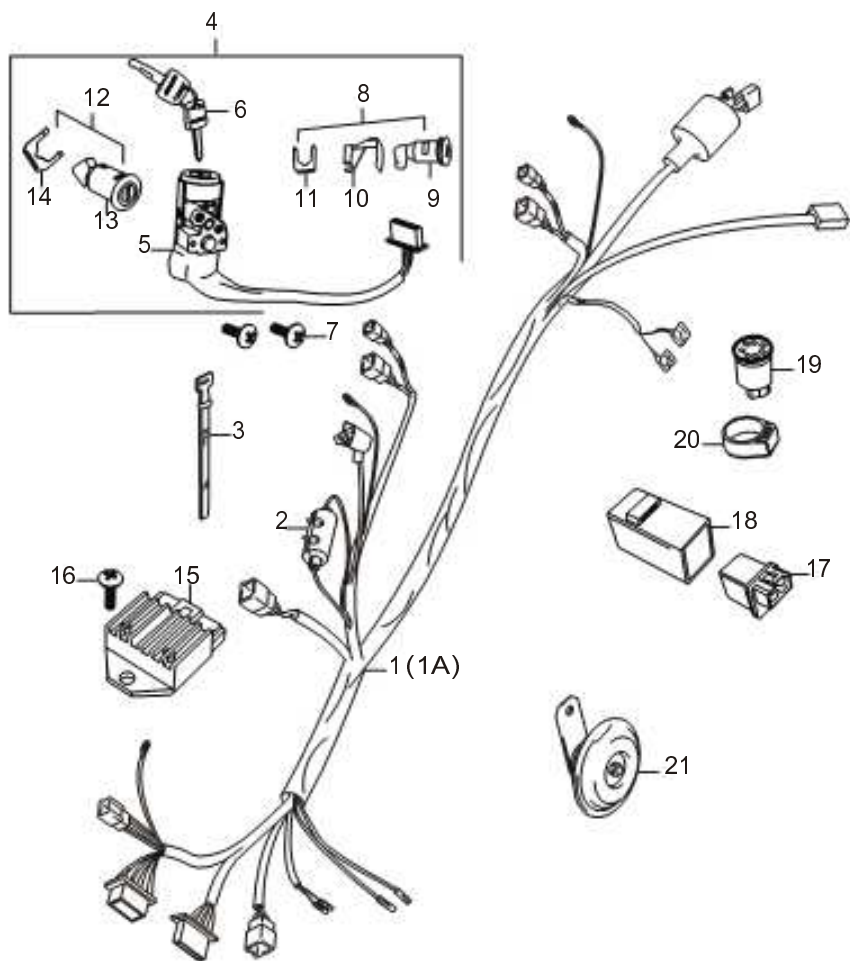
20

FIG.20

ЭЛЕКТРИЧЕСКИЕ ЧАСТИ

Ref.No.	Part No.	Description	Q'ty	Remarks
1	36610QAD4000	Wiring harness	1	
1A	QM50QT-4G.67-00 36610QAD4010 QM50QT-4G.67-00a	Wiring harness	1	
2		Fuse 10A	2	
3	09407Q254001	Clamp	4	
4	39000QACC000	Lock comp	1	
5	37101QACC000	Switch assy, ignition	1	
6	37158QACC000	Key	2	
7	03421Q060081 GB/T819.1-2000	Screw M6x8	2	
8	95700QACC000	Seat lock assy	1	
9	95701QACC000	Body, seat lock	1	
10	95751QACC000	Holder, seat lock	1	
11	47721QACC000	Piece, holder	1	
12	47700QACC000	Lock assy, inner box	1	
13	47710QACC000	Lock set, inner box	1	
14	47721QACC000	Piece, holder	1	
15	32801QAFZ000 AG50.71-00	Regulator. comp	1	
16	03411Q060121	Screw M6x12	1	
17	31801QDAZ000 AG50.73.1-00	Relay, starting motor	1	
18	38628QAGZ000	Seal, relay	1	
19	38601QAGZ000 QM50QT-6.72-00	Relay, buzzer	1	

FIG.20



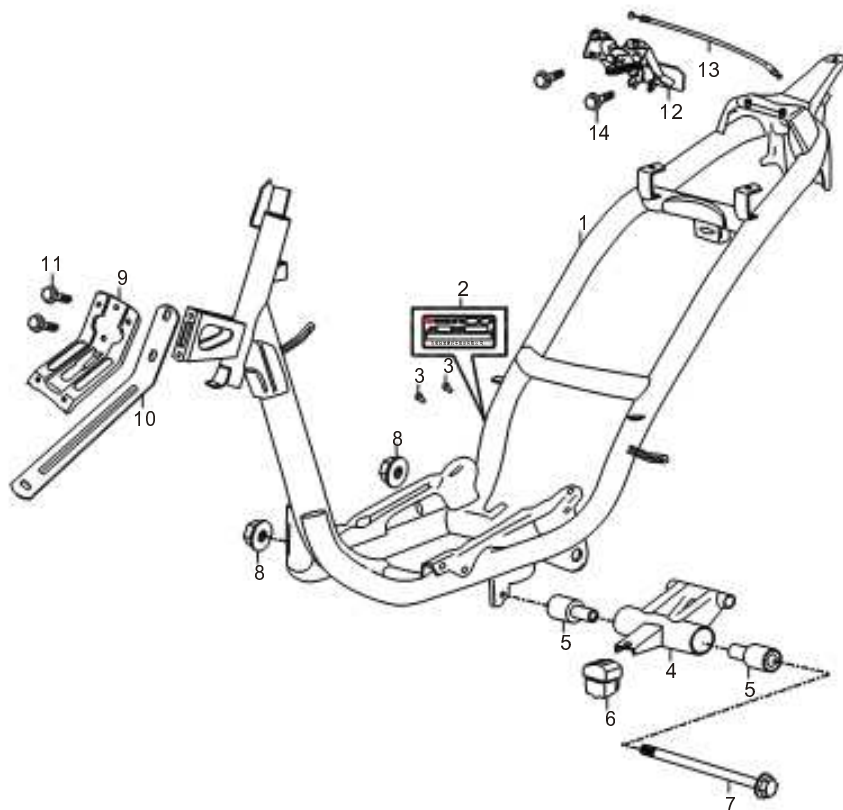
20

FIG.20

ЭЛЕКТРИЧЕСКИЕ ЧАСТИ

Ref.No.	Part No.	Description	Q'ty	Remarks
20	38628QAGZ000	Seal	1	
21	QM50QT-6.72-01 38501QAA2000 QM50QT-B.63-00	Horn assy	1	

FIG.21



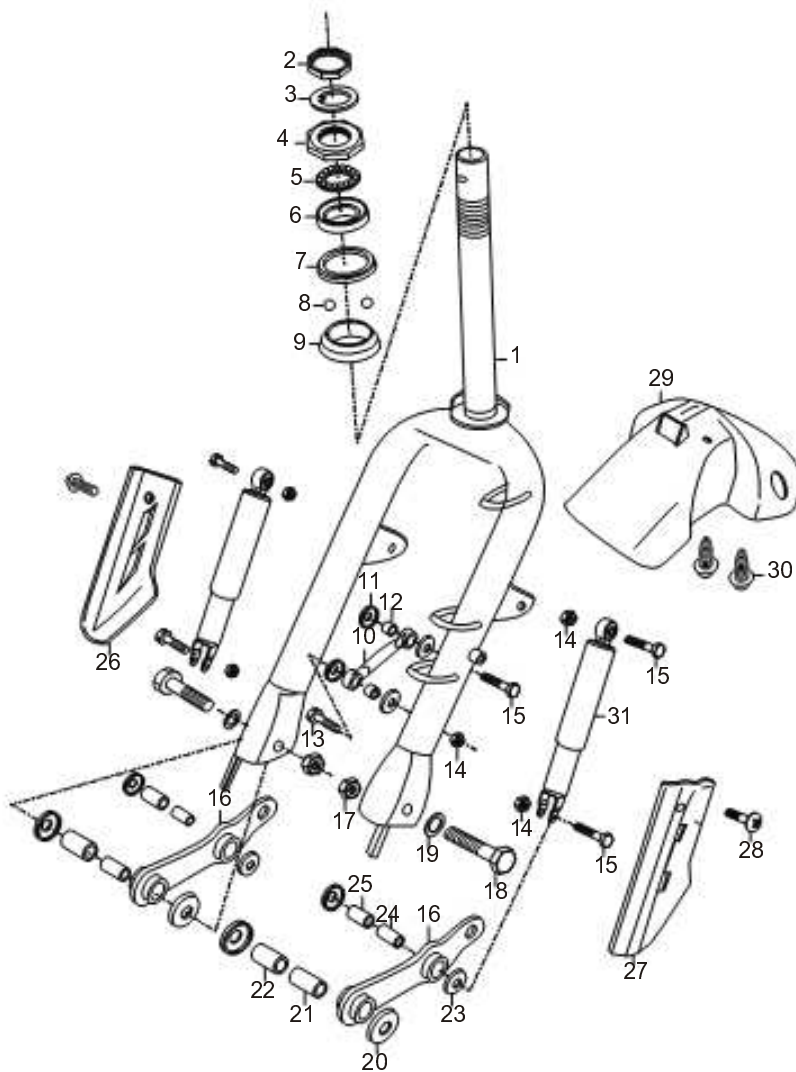
21

FIG.21

PAMA

Ref.No.	Part No.	Description	Q'ty	Remarks
1	<u>41100QACC00</u> QM50QT-3M.30.1-00	Body comp, frame	1	
2	09600Q00001	Frame nameplate	1	
3	<u>05011Q220051</u> GB/T827-1986	Rivet	2	
4	<u>41180QACC00</u> QM50QT-3M.30.3.1-00	Bracket set, crankcase mounting	1	
5	<u>09319Q100005</u> QM50QT-3M.30.3.3-00	Bush	2	
6	<u>41185QACC00</u> QM50QT-3M.30-01	Cushion	1	
7	<u>41188QACC00</u> QM50QT-3M.30-02	Shaft	1	
8	<u>05409Q091101</u> GB/T6187.2	Nut M10x1.25	2	
9	<u>41150QACC00</u> QM50QT-3M.30.1-00	Bracket, front cover	1	
10	<u>41891QACC00</u> QM50QT-3M.30.2-01	Bracket, horn	1	
11	<u>02104Q060162</u> GB/T16674	Bolt M6x16	2	
12	45701QACC00	Bracket assy, seat lock	1	
13	45280QACC00	Cable assy, seat lock	1	
14	<u>02104Q060121</u> GB/T16674	Bolt M6x12	2	

FIG.22



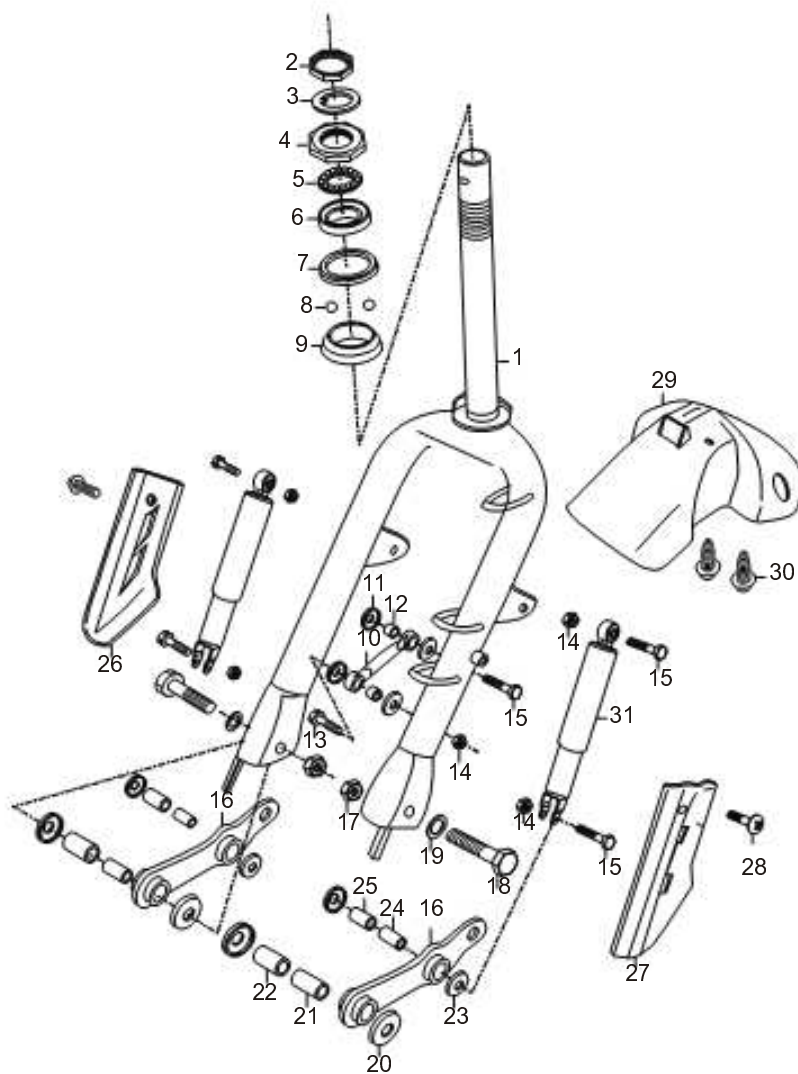
22

FIG.22

ПЕРЕДНЯЯ ВИЛКА

Ref.No.	Part No.	Description	Q'ty	Remarks
1	51210QACC000 QM50QT-3M.31.2-00	Fork, front	1	
2	51631QACC000 QM50QT-3M.31-01	Lock nut	1	
3	09166Q210001	Lock washer,	1	
4	51621QACC000 QM50QT-3M.31-02	Race, outer upper	1	
5	51650QACC000 QM50QT-3M.31.3-00	Ball assy	1	
6	51611QACC000 QM50QT-3M.31-03	Race, inner upper	1	
7	51612QAFZ000 QM50T-7.30-01	Race, inner lower	1	
8	05450Q001012 GB308-99	Ball 5/32	30	
9	51622QAFZ000 QM50T-7.31.1-01	Race, outer lower	1	
10	54311QAFZ000 QM50T-7.31.5-01	Torque rod	1	
11	54342QACC000	Washer III	4	
12	54312QAFZ000 QM50T-7.31.5-02	Spacer	2	
13	01501Q080451 GB5782-2000	Bolt M8x45	1	
14	054091Q042081 GB6184-86	Nut M8	5	
15	01601Q080351 GB5783-2000	Bolt M8x35	5	
16	52420QACC000 QM50QT-3M.31.4-00	Arm, front shock absorber	2	
17	05401Q011101 GB6170-2000	Nut M10	2	
18	01501Q100401 GB5782-2000	Bolt M10x40	2	
19	05240Q021101 GB/T97.1-1985	Washer 10	2	
20	52452QACC000 QM50QT-3M.31-12	Washer II	4	

FIG.22



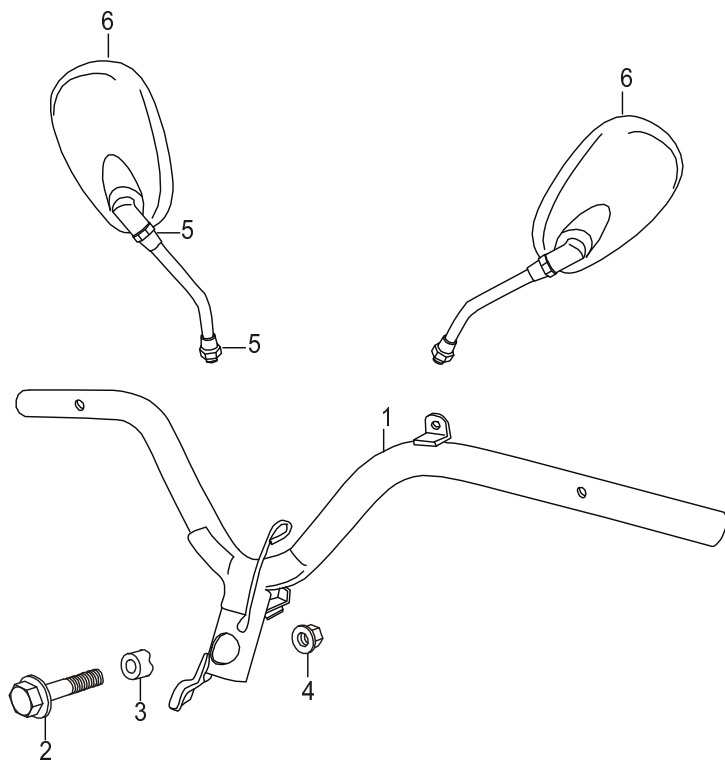
22

FIG.22

ПЕРЕДНЯЯ ВИЛКА

Ref.No.	Part No.	Description	Q'ty	Remarks
21	52432QACC000 QM50QT-3M.31-11	Spacer D	2	
22	52431QACC000 QM50QT-3M.31-07	Spacer C	2	
23	52451QACC000 QM50QT-3M.31-09	Washer I	4	
24	52414QACC000 QM50QT-3M.31-10	Spacer B	2	
25	52413QACC000 QM50QT-3M.31-06	Spacer A	2	
26	52453QACC000 QM50QT-3M.46-09	Cover, front fork RH	1	
27	52454QACC000 QM50QT-3M.46-08	Cover, front fork LH	1	
28	03411Q0500081 GB/T818-2000	Screw M5x8	2	
29	53111QACC000 QM50QT-3M.37-01	Front fender	1	
30	04010Q051302 GB/T845-85	Screw ST4.8x13	2	
31	52100QACC000 QM50QT-3M.31.1-00	Shock absorber, front	2	

FIG.23



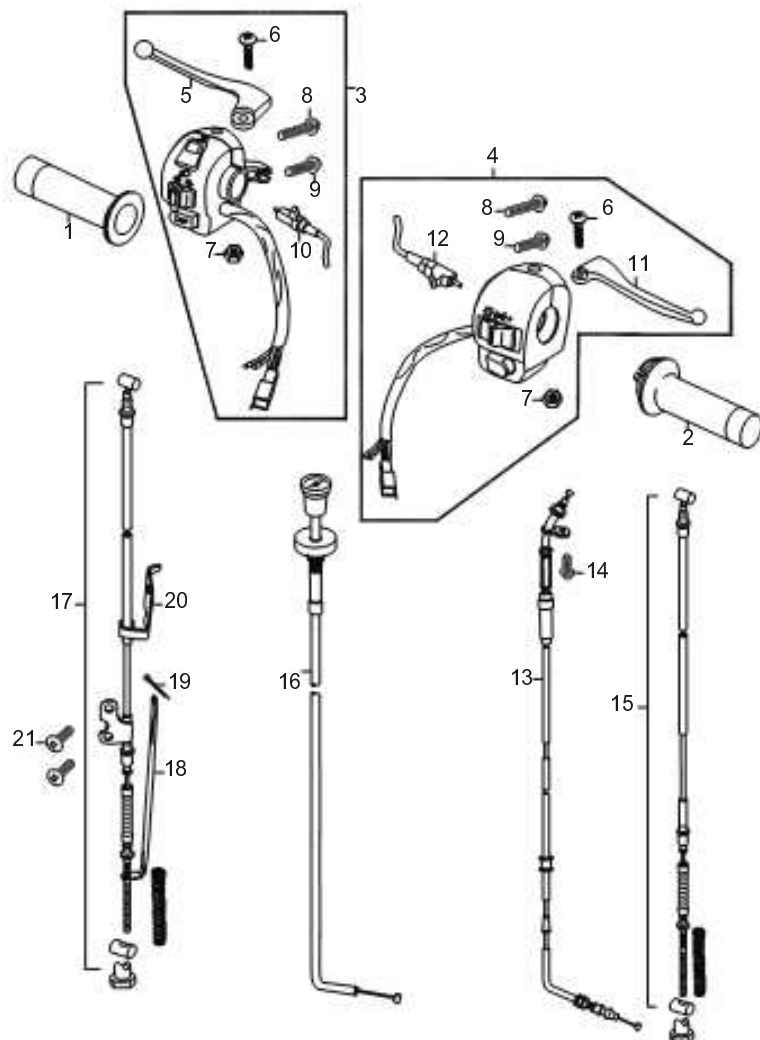
23

FIG.23

РУЛІВ

Ref.No.	Part No.	Description	Q'ty	Remarks
1	<u>56110QAD4000</u> QM50QT-4G.32.2-00	Handlebar assy	1	
2	<u>02104Q100501</u> GB/T16674.2-2004	Flange bolt M10x1.25x50	1	
3	<u>56213QACC000</u> QM50QT-3M.32-01	Joint spacer, handlebar	1	
4	<u>05409Q091101</u> GB/T6187.2-2000	Nut M10x1.25	1	
5	<u>56532QACC000</u> QM50QT-3M.32.2-01	Nut	4	
6	<u>56510QACC000</u> QM50QT-3M.32.11-00	Mirror assy	2	

FIG.24



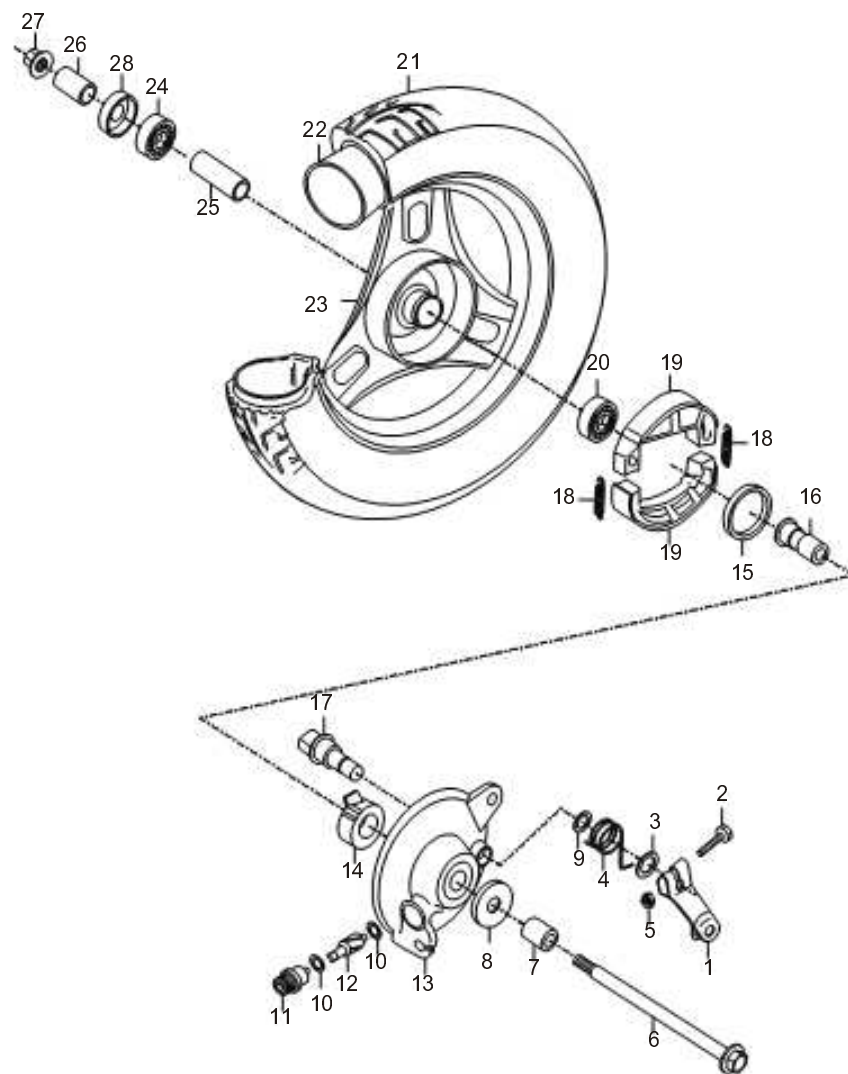
24

FIG.24

ВЫКЛЮЧАТЕЛИ РУЛЕВЫЕ

Ref.No.	Part No.	Description	Q'ty	Remarks
1	57110QAD4000 QM50QT-4G.32.3-00	Grip, throttle	1	
2	57210QAD4000 QM50QT-4G.32.1-00	Grip, left	1	
3	57300QAD4000 QM50QT-4G.66.2-00	Brake lever assy, RH	1	
4	57500QAD4000 QM50QT-4G.66.1-00	Brake lever assy, LH	1	
5	57621QAD4000 QM50QT-4G.66-01	Lever, front brake LH	1	
6	57431QAD4000	Screw M5x12	2	
7	05401Q011053 GB6170-2000	Nut M5	2	
8	03411Q050203 GB/T818-2000	Screw M5x20	2	
9	03411Q050253 GB/T818-2000	Screw M5x25	2	
10	57470QAD4000 QM50QT-4G.66.4-00	Switch assy, rear brake	1	
11	57421QAD4000 QM50QT-4G.66-02	Lever, rear brake RH	1	
12	57460QAD4000 QM50QT-4G.66.3-00	Switch assy, front brake	1	
13	58300QAD4000 QM50QT-4G.32.4-00	Cable assy, throttle	1	
14	03411Q050101 GB/T818-2000	Screw M5x10	1	
15	58100QACC000 QM50QT-3M.32.5-00	Cable assy, front brake	1	
16	58400QAD4000 QM50QT-4G.32.5-00	Cable assy, choke	1	
17	58500QACC000 QM50QT-3M.32.6-00	Cable assy, rear brake	1	
18	43311QACC000	Rod, rear brake	1	
19	04411Q120081 GB/T91-2000	Pin	1	
20		Clip	1	
21	03411Q060121 GB/T818-2000	Screw M6x12	2	

FIG.25



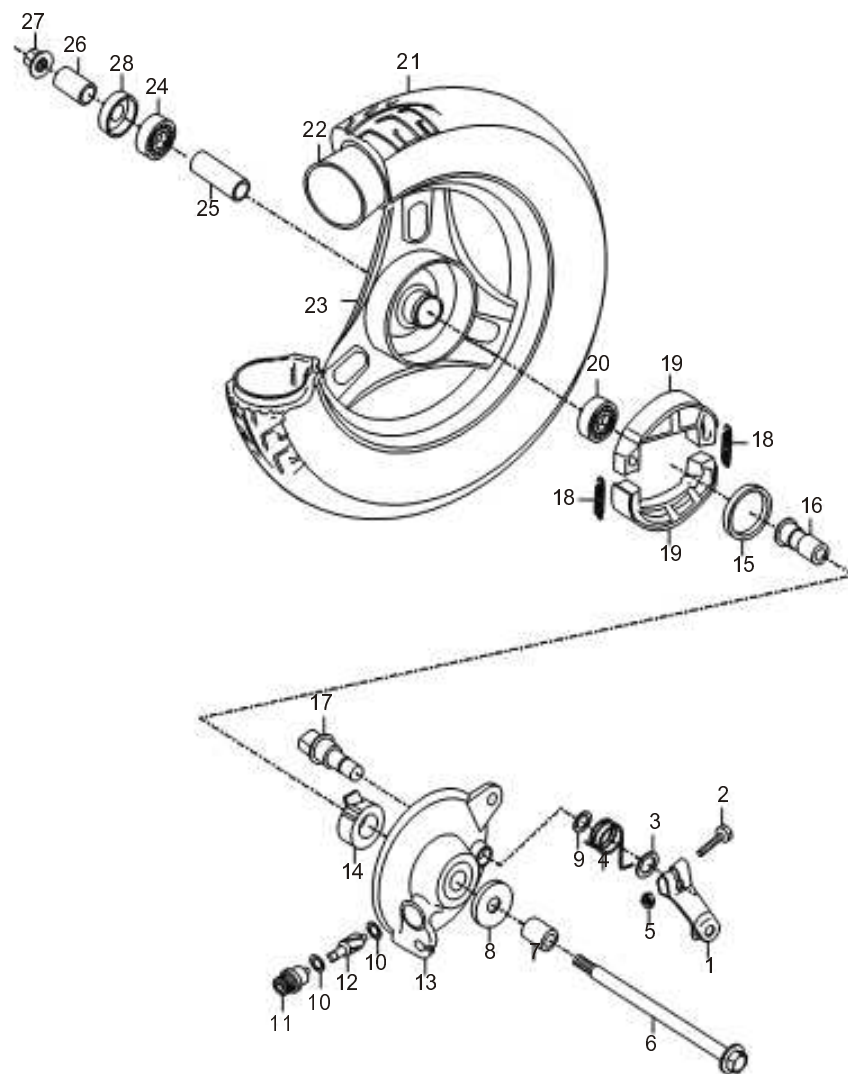
25

FIG.25

ДИСК ПЕРЕДНИЙ

Ref.No.	Part No.	Description	Q'ty	Remarks
1	54451QAFZ000 QM50T-7.33-10	Lever, front brake cam	1	
2	01604Q060254 GB/T5782-2000	Bolt M6x25	1	
3	05420Q052061 GB/T96-1985	Washer 6	1	
4	54484QAFZ000 QM50T-7.33-6	Spring	1	
5	05411Q012064 GB/T6177.1-2000	Nut M6	1	
6	54711QACC000 QM50QT-3M.33-03	Axle, front	1	
7	54225QACC000 QM50QT-3M.33-01	Spacer	1	
8	54651QAFZ000	Cap, dust	1	
9	09168Q140002	O-ring	1	
10	05420Q042051 GB/T848-1985	Washer 5	2	
11	54632QAFZ000 QM50T-7.33-1	Bush, speed ometer pinion	1	
12	54621QAFZ000 QM50T-7.33-3	Pinion speedometer	1	
13	54210QAFZ000 QM50T-7.33.5-00	Brake panel assy, front	1	
14	54611QAFZ000 QM50T-7.33-13	Gear, speedometer	1	
15	54221QAFZ000 QM50T-7.33-2	Spacer, front	1	
16	09283Q400001	Oil seal	1	
17	54441QAFZ000 QM50T-7.33-9	Cam, front brake	1	
18	09443Q070002 QM50T-7.33-4	Spring	2	
19	54410QAFZ000 QM50T-7.33-3-00	Brake shoe	2	
20	05530Q060201 GB 278-89	Bearing	1	

FIG.25



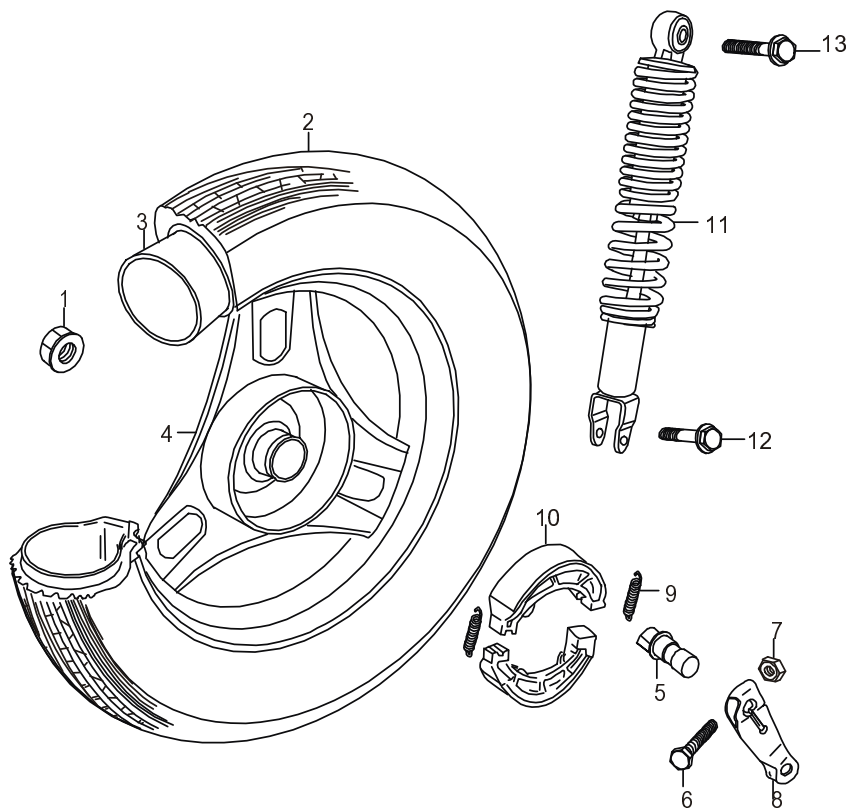
25

FIG.25

ДИСК ПЕРЕДНИЙ

Ref.No.	Part No.	Description	Qty	Remarks
21	55110QAFZ000 QM50T-7.33.1.1-00	Tyre, front	1	
22	55200QAFZ000 QM50T-7.33.1.2-00	Inner tube	1	
23	54140QAFZ000 QM50T-7.33.2-00	Rim, front	1	
24	05530Q060201 GB 278-89	Bearing	1	
25	54731QAFZ000 QM50T-7.33.4-02	Spacer, front wheel bearing	1	
26	54741QACC000 QM50QT-3M.33-01	Spacer, RH, front wheel	1	
27	05409Q091121 GB/T6787.1-2000	Nut M12	1	
28	54217QAFZ000 QM50T-7.33.6-00	Oil seal	1	

FIG.26



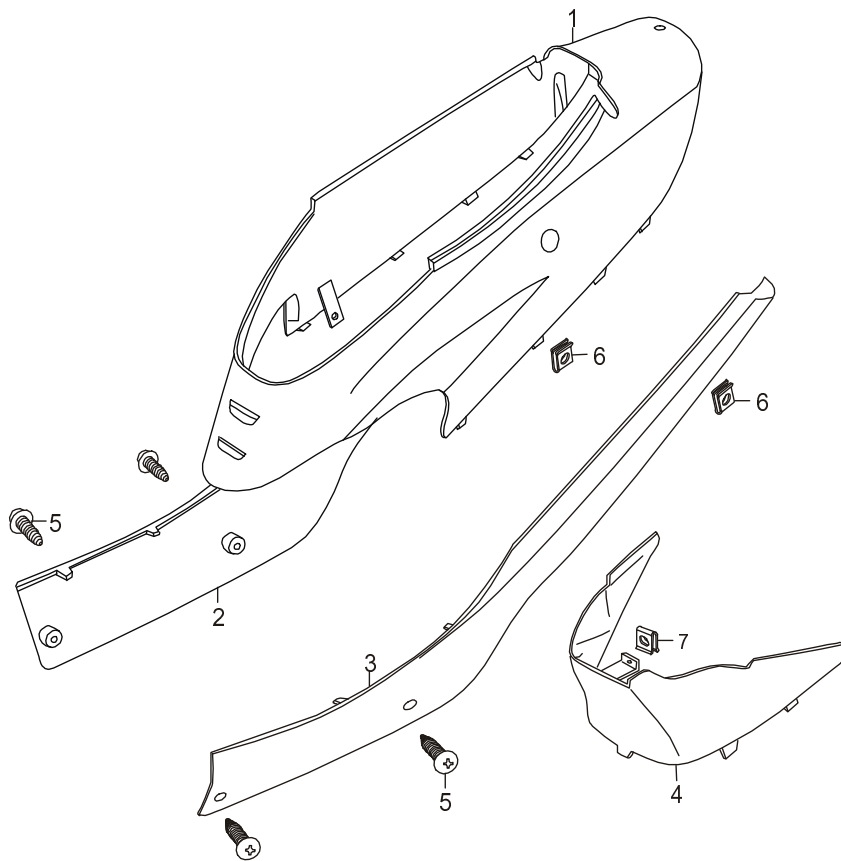
26

FIG.26

ДИСК ЗАДНИЙ

Ref.No.	Part No.	Description	Q'ty	Remarks
1	<u>054090071161</u> GB/T6186-2000	Nut M16	1	
2	<u>551100AFZ000</u> QM50T-7.34.2-2	Tyre, rear	1	
3	<u>652000AFZ000</u> QM50T-7.34.2-2	Inner tube	1	
4	<u>641400AFZ000</u> QM50T-7.34.1-00	Rim, rear	1	
5	<u>644510AFZ000</u> QM50QT-7.34-3	Lever, rear brake	1	
6	<u>014010060321</u> GB/T5781-2000	Bolt M6x32	1	
7	<u>054010012061</u> GB/T6177.1-2000	Nut M6	1	
8	<u>644410AFZ000</u> QM50QT-7.34-1	Cam, rear brake	1	
9	<u>094430070002</u> QM50T-7.33-4	Spring	2	
10	<u>544100AFZ000</u> QM50T-7.33.3-00	Brake shoe	2	
11	<u>621010ACC000</u> QM50QT-3M.35.1-00	Shock absorber, rear	2	
12	<u>023240100351</u> GB5789	Bolt M10x35	1	
13	<u>023240100401</u> GB5789	Bolt M10x40	1	

FIG.27



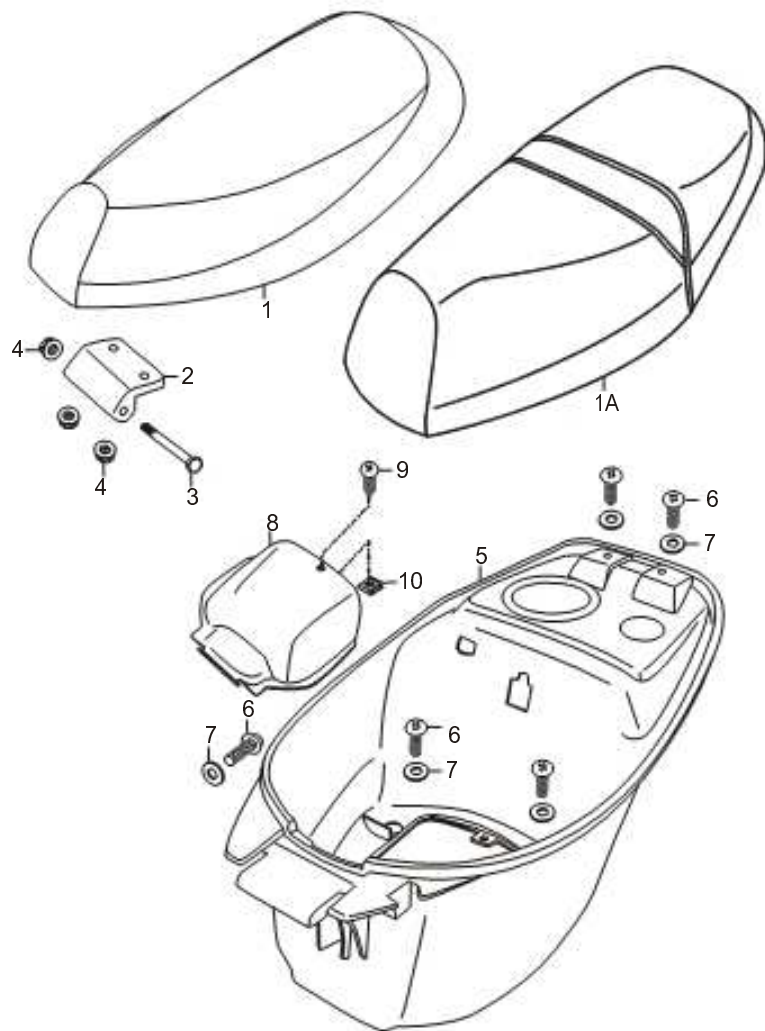
27

FIG.27

ПЛАСТИК РАМЫ

Ref.No.	Part No.	Description	Q'ty	Remarks
1	<u>473110ACC000</u> QM50QT-3M.46-15	Frame cover	1	
2	<u>471310ACC000</u> QM50QT-3M.46-16	Side cover, RH	1	
3	<u>472310ACC000</u> QM50QT-3M.46-17	Side cover, LH	1	
4	<u>481410ACC000</u> QM50QT-3M.46-24	Cover, center	1	
5	<u>04010Q051602</u> GB/T845-1985	Screw ST4.8x16	4	
6	<u>09148Q040001</u> QM50T-7.38-3	Clip	2	
7		Nut	1	

FIG.28



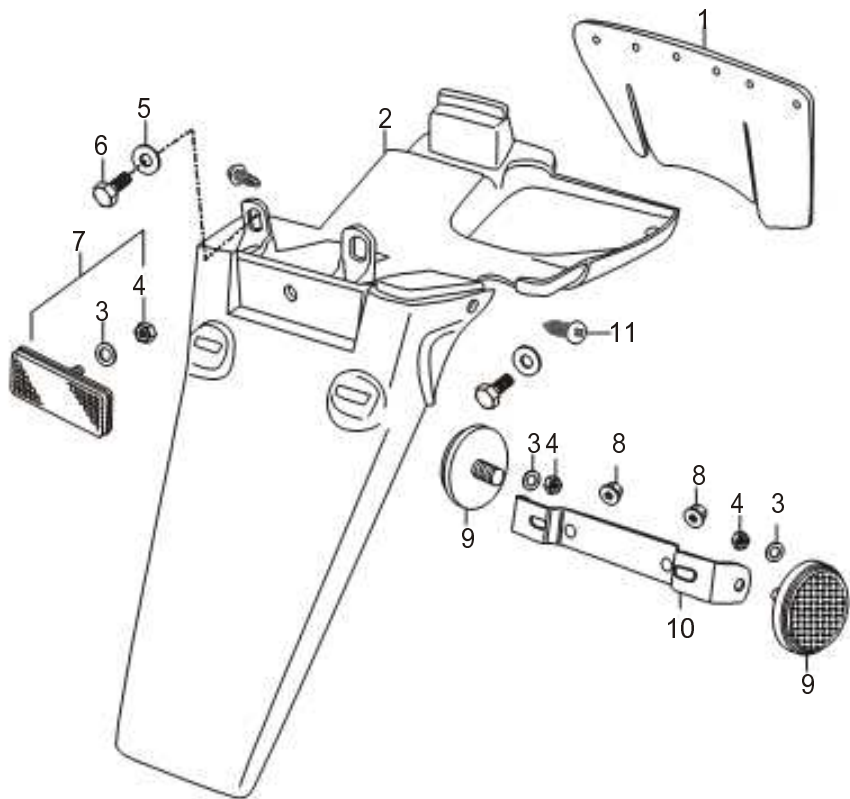
28

FIG.28

СИДУШКА

Ref.No.	Part No.	Description	Q'ty	Remarks
1	<u>45102QACC000</u> QM50QT-3M.36.1-00	Seat assy	1	
1A		Seat assy	1	
2	<u>45131QACC000</u> QM50QT-3M.36-01	Hing comp, seat	1	
3	<u>45212QACC000</u> QM50QT-3M.36.1-05	Pin	1	
4	<u>05404Q011064</u> GB6177.1-2000	Nut M6	3	
5	<u>92211QACC000</u> QM50QT-3M.46-10	Luggage box	1	
6	<u>03411Q060201</u> GB/T818-2000	ScrewM6x20	5	
7	<u>05420Q021061</u> GB/T97.1-1985	Washer 6	5	
8	<u>92212QACC000</u> QM50QT-3M.46-11	Cover, inspection	1	
9	<u>0410Q041302</u> GB/T845-1985	Screw ST4.2x13	1	
10	<u>09148Q040001</u> QM50T-7.38-3	Clip	1	

FIG.29



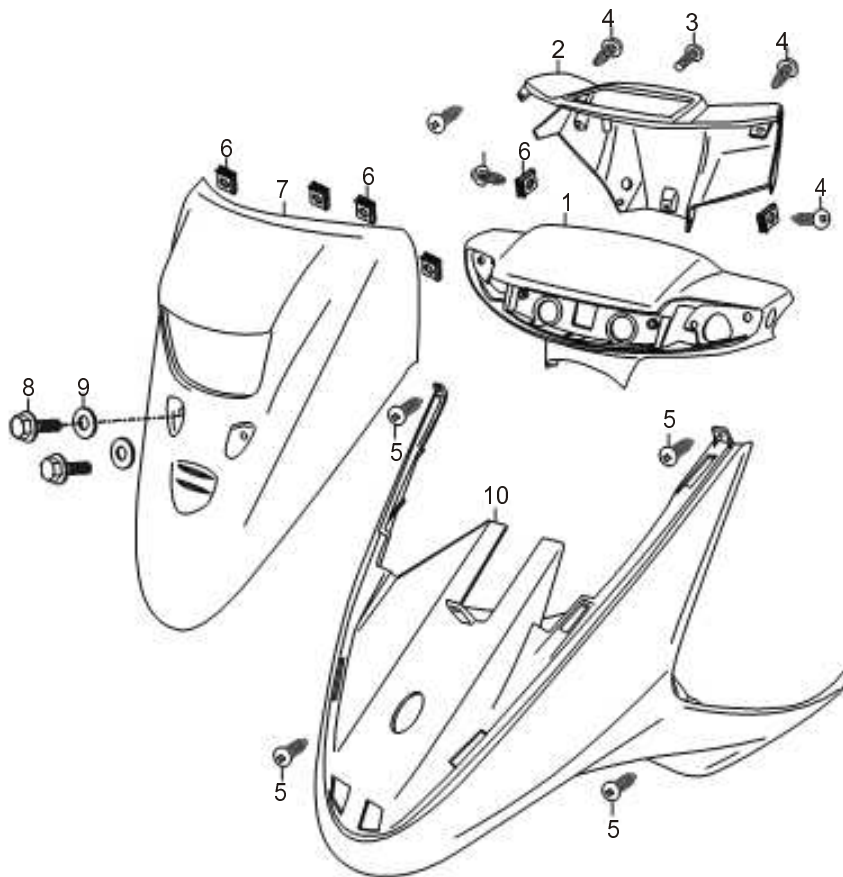
29

FIG.29

КРЫЛО ЗАДНЕЕ

Ref.No.	Part No.	Description	Q'ty	Remarks
1	<u>63411OACC000</u> QM50QT-3M.46-22	Mudguard	1	
2	<u>63111OACC000</u> QM50QT-3M.38-01	Rear fender	1	
3	<u>05420Q022054</u> GB /T97.1-85	Washer 5	3	
4	<u>05401Q012054</u> GB/T 6170-2000	Nut M5	3	
5	<u>05420Q055061</u> GB96-85	Washer 6	2	
6	<u>01604Q060161</u> GB/T5783-2000	Bolt M6x16	2	
7	<u>35970QACC000</u> QM50QT-3M.74.2-00	Reflector, rear	1	
8	<u>05404Q011061</u> GB/6177.1-2000	Nut M6	2	
9	<u>35950QACC000</u> QM50QT-3M.74.1-00	Reflector, side	2	
10	<u>96720QAGZ000</u>	Bracket, license plate	1	
11	<u>04010Q051602</u> GB/T845-88	Screw ST4.8x16	2	

FIG.30



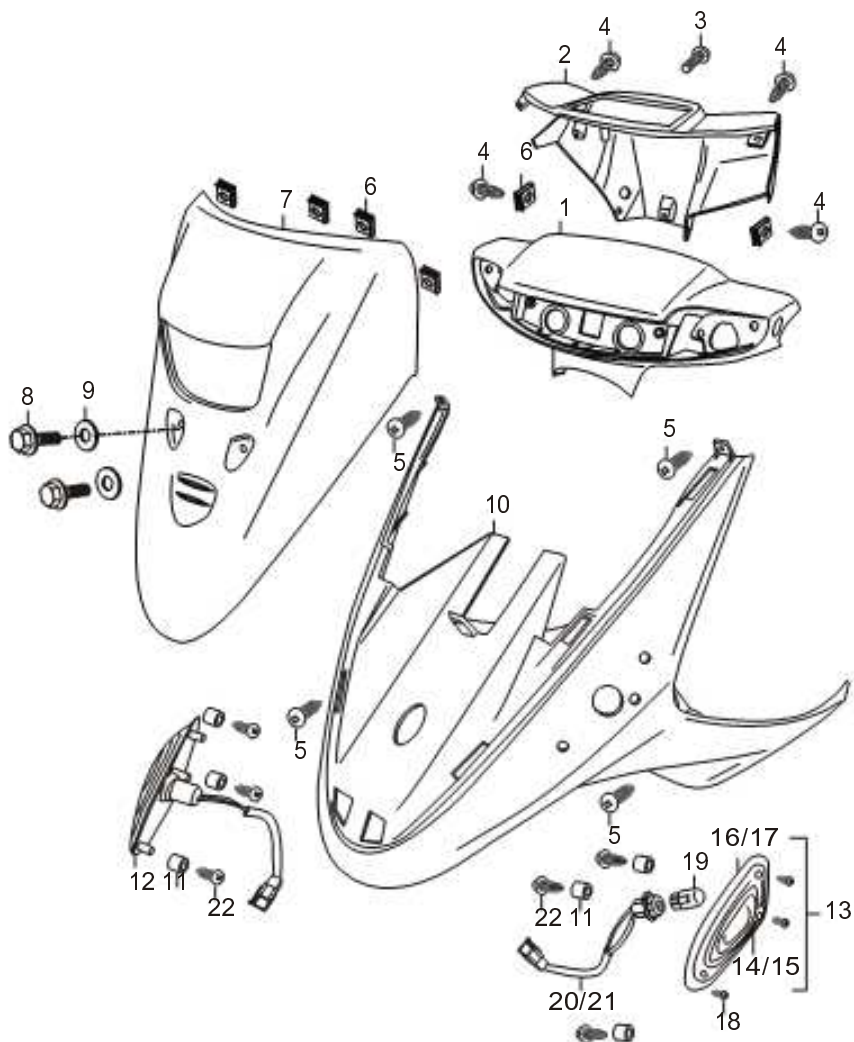
30

FIG.30

ПЛАСТИК ПЕРЕДНИЙ

Ref.No.	Part No.	Description	Q'ty	Remarks
1	<u>56311QAD4000</u> QM50QT-4G.46-01	Cover, handle front	1	
2	<u>56321QAD4000</u> QM50QT-4G.46-02	Cover, handle rear	1	
3	<u>03411Q050401</u> GB/T818	Screw M5x40	1	
4	<u>04010Q051602</u> GB/T845-88	Screw ST4.8x16	4	
5	<u>04010Q041605</u> GB/T845-88	Screw ST4.2x16	4	
6	<u>09148Q040001</u> QM50T-7.38-3	Nut clip	6	
7	<u>48111QAD4000</u> QM50QT-4G.46-03	Front cover	1	
8	<u>02324Q060161</u> GB/T5789-1986	Bolt M6x16	2	
9	<u>05420Q052061</u> GB/T96-1985	Washer 6	2	
10	<u>48137QACC000</u> QM50QT-3M.46-18	Leg shield assy, front	1	

FIG.30A



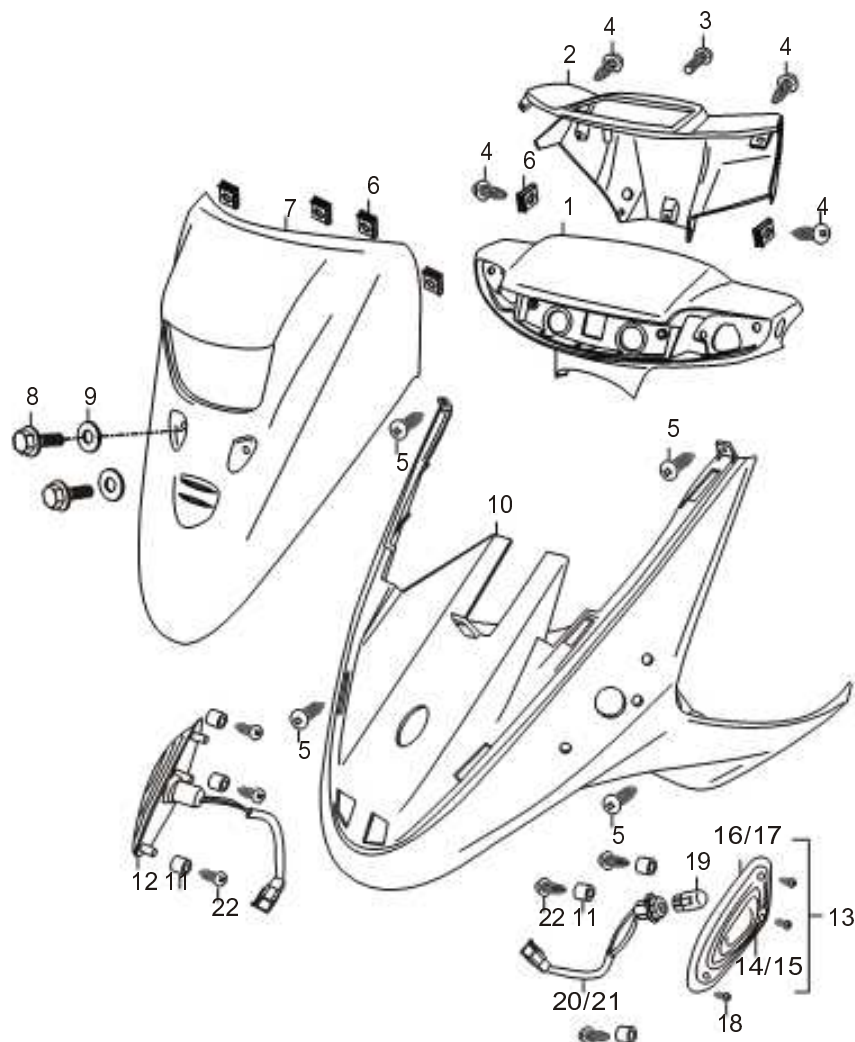
30A

FIG.30A

ПЛАСТИК ПЕРЕДНИЙ

Ref.No.	Part No.	Description	Q'ty	Remarks
1	<u>56311QAD4000</u> QM50QT-4G.46-01	Cover, handle front	1	
2	<u>56321OAD4000</u> QM50QT-4G.46-02	Cover, handle rear	1	
3	<u>03411Q050401</u> GB/T818	Screw M5x40	1	
4	<u>04010Q051602</u> GB/T845-88	Screw ST4.8x16	4	
5	<u>04010Q041605</u> GB/T845-88	Screw ST4.2x16	4	
6	<u>09148Q040001</u> QM50T-7.38-3	Nut clip	6	
7	<u>48111QAGG000</u> QM50QT-6S.46-5	Front cover	1	
8	<u>02324Q060161</u> GB/T5789-1986	Bolt M6x16	2	
9	05420Q052061	Washer 6	2	
10	<u>48137QACC010</u> QM50QT-3M.46-01a	Leg shield assy, front	1	
11	<u>35413OACC010</u> QM50QT-3M(3)	Holder	6	
12	35401QACC010	Auxiliary lamp, RH	1	
13	35402QACC010	Auxiliary lamp, LH	1	
14	35411QACC010	Lens, RH	1	
15	35431QACC010	Lens, LH	1	
16	35412QACC010	Body, RH	1	
17	35432QACC010	Body, LH	1	
18	<u>04010Q020651</u> GB/T845-88	Screw ST2.9x6.5	6	

FIG.30A



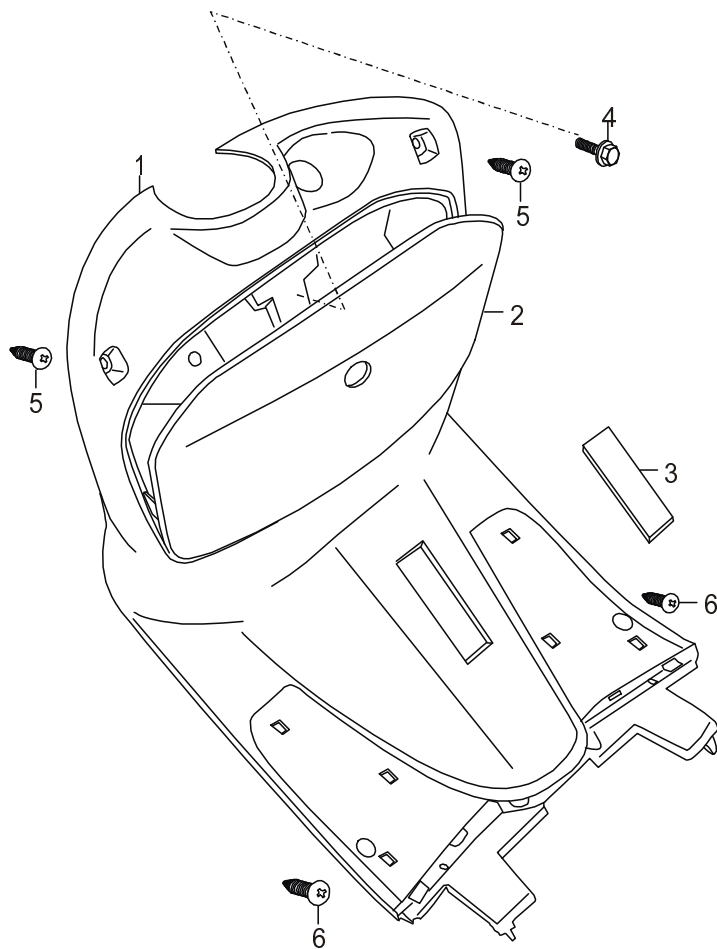
30A

FIG.30A

ПЛАСТИК ПЕРЕДНИЙ

Ref.No.	Part No.	Description	Q'ty	Remarks
19	07110Q011121	Bulb W5W	2	
20		Wire assy, RH	1	
21		Wire assy, LH	1	
22	04010Q020951 GB/T845-88	Screw ST2.9x9.5	6	

FIG.31



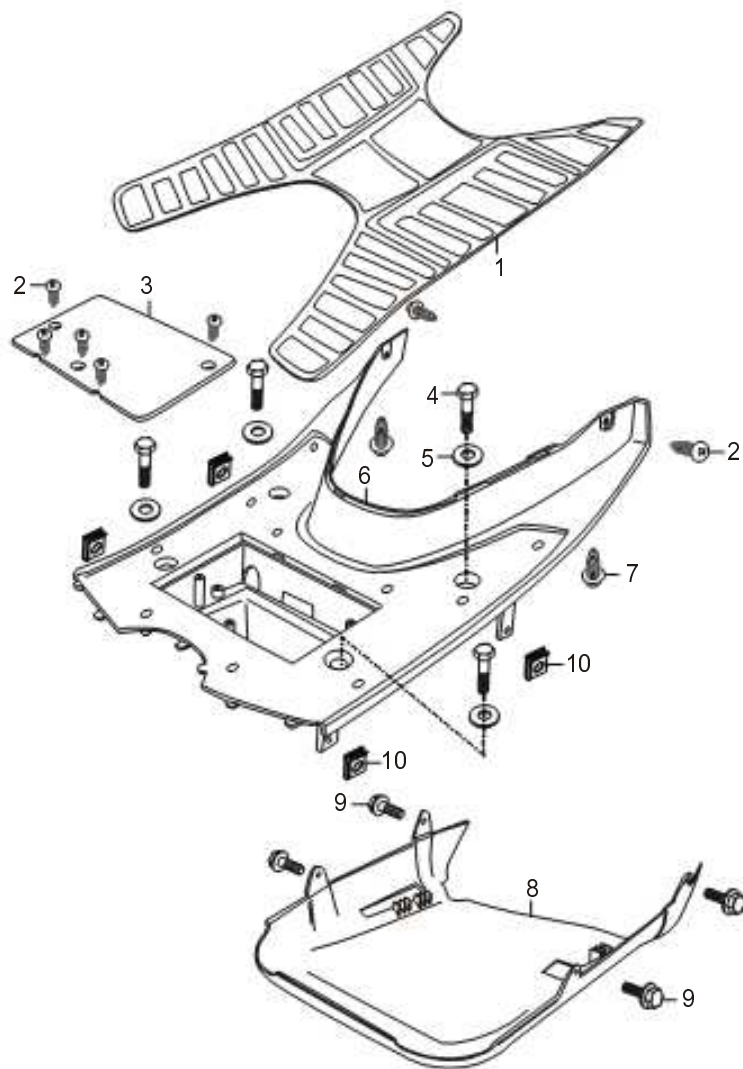
31

FIG.31

ПЛАСТИК ВНУТРЕННИЙ

Ref.No.	Part No.	Description	Q'ty	Remarks
1	<u>92111OACC000</u> QM50QT-3M.46-04	Shield inner	1	
2	<u>92112OACC000</u> QM50QT-3M.46-06	Lid, inner box	1	
3	<u>92121OACC000</u> QM50QT-3M.46-23	Inspection cover,	1	
4	<u>02104Q060161</u> GB/T16674	VIN Bolt M6x16	1	
5	<u>04010Q041302</u> GB/T845-1985	Screw ST4.2x13	2	
6	<u>04010Q041602</u> GB/T845-1985	Screw ST4.2x16	2	

FIG.32



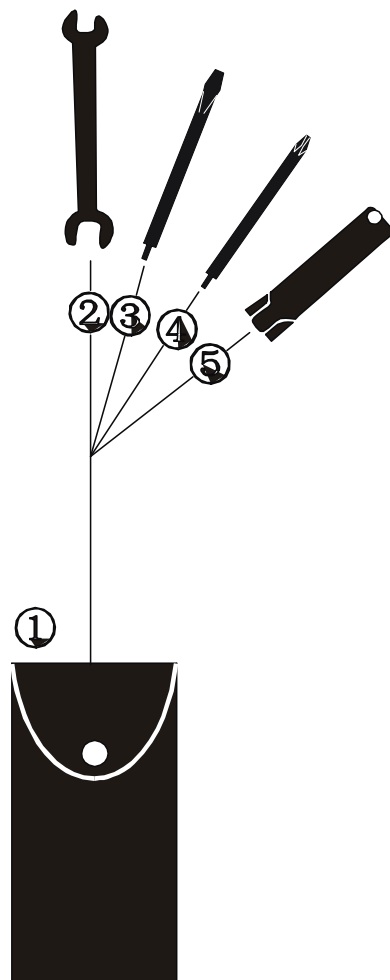
32

FIG.32

ПАНЕЛЬ ПОЛА

Ref.No.	Part No.	Description	Q'ty	Remarks
1	<u>43551OACC000</u> QM50QT-3M.46-14	Mat, floor	1	
2	<u>04010Q041302</u> GB/T845-1985	Screw ST4.2x13	7	
3	<u>33642OACC000</u> QM50QT-3M.46-13	Cover, battery case	1	
4	<u>01301O060601</u> GB/T5780-2000	Bolt M6x60	4	
5	<u>05420Q051061</u> GB/T96-1985	Washer 6	4	
6	<u>48121OACC000</u> QM50QT-3M.46-12	Floor panel	1	
7	<u>04010Q051302</u> GB/T845-1985	Screw ST4.8x16	2	
8	<u>48127OACC000</u> QM50QT-3M.46-07	Frame cover	1	
9	<u>02324Q060121</u> GB/T5789-1986	Bolt M6x12	4	
10	<u>09148Q040001</u> QM50T-7.38-3	Clip	4	

FIG.33



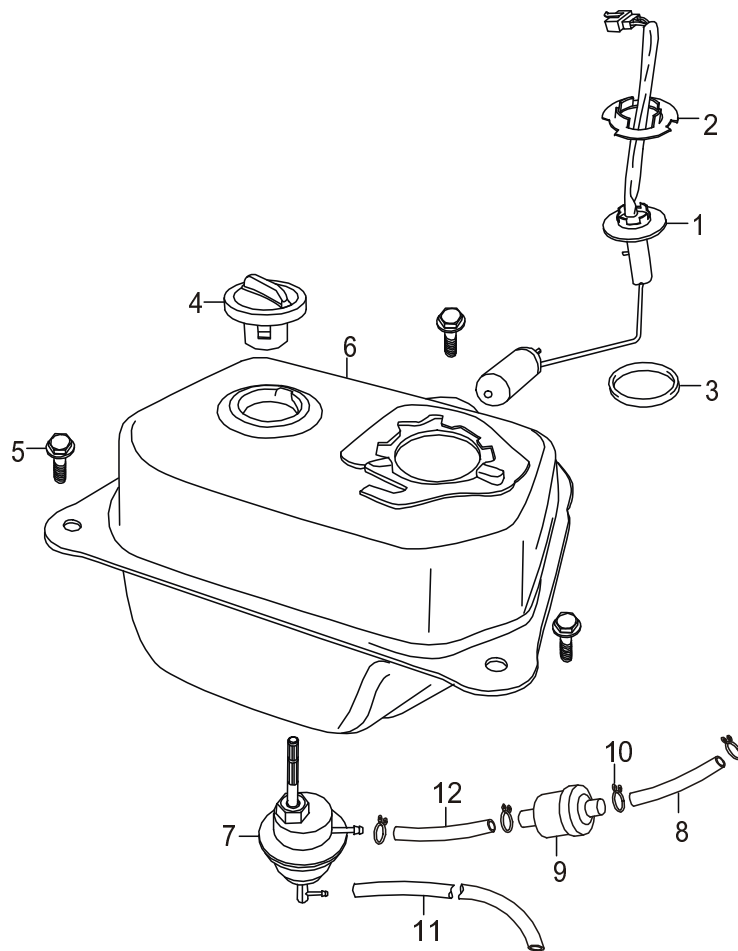
33

FIG.33

ИНСТРУМЕНТ

Ref.No.	Part No.	Description	Q'ty	Remarks
1	09811Q000002	Bag, tool	1	
2	09813Q000004	Spanner	1	
3	09814Q000006	Screwdriver	1	
4	09814Q000005	Screwdriver	1	
5	09816Q000001	Spark plug wrench	1	

FIG.34



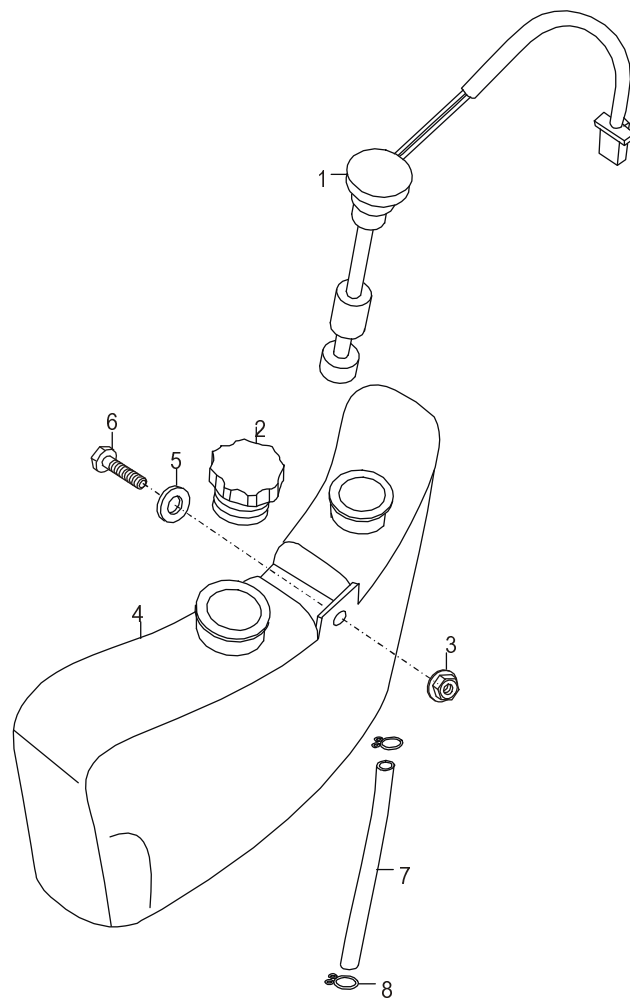
34

FIG.34

БЕНЗОБАК

Ref No	Part No	Description	Q'ty	Remarks
1	34801QACC000	Gauge assy, fuel tank	1	
2	44587QACC000 QM50QT-3M.77.1-01	Bracket, gauge assy	1	
3	34825QACC000 QM50QT-3M.77.1-06	Packing, fuel tank	1	
4	44200QEK4000 QM125T-10D.44.3-00	Cap, fuel tank	1	
5	02324Q060121 GB5789-86	Bolt M6x16	3	
6	44110QACC000 QM50QT-3M.44.1-00	Fuel tank comp	1	
7	44300QAGZ000 QM50QT-6.44.4-00	Fuel cock	1	
8		Fuel hose	1	
9		Filter, fuel	1	
10	09401Q084001 GS125.44-5	Circlip, fuel hose	4	
11	44425QACC000 QM50QT-3M.44-03	Hose, vacuum	1	
12	44424QACC000 QM50QT-3M.44-01	Fuel hose, outlet	1	

FIG.35



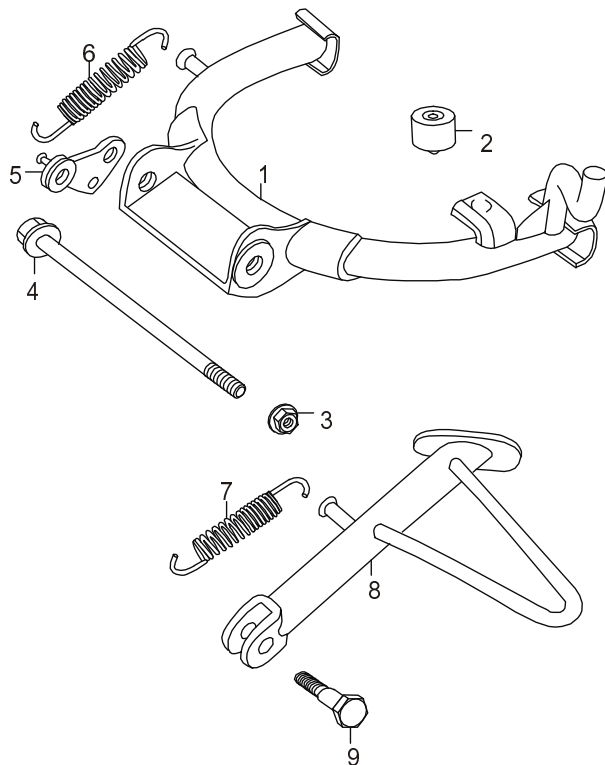
35

FIG.35

МАСЛЯНЫЙ БАК

Ref.No.	Part No.	Description	Q'ty	Remarks
1	<u>37880QACC000</u> QM50QT-3M.77.2-00	Gauge assy, oil tank	1	
2	<u>44651QACC000</u> QM50QT-3M.45-02	Plug, oil tank	1	
3	<u>05404Q011061</u> GB/6177.1-2000	Nut M6	1	
4	<u>44611QACC000</u> QM50QT-3M.45-01	Oil tank	1	
5	<u>05420Q052061</u> GB96-85	Washer 6	1	
6	<u>01614Q060121</u> GB5783-86	Bolt M6x16	1	
7		Hose, oil	1	
8		Circlip	2	

FIG.36



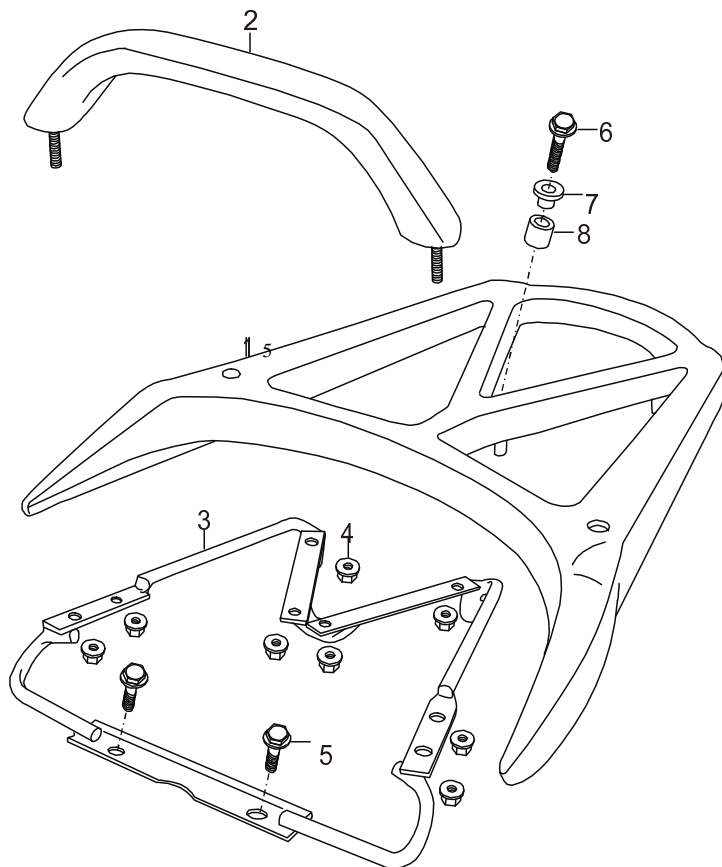
36

FIG.36

ПОДНОЖКИ

Ref.No.	Part No.	Description	Q'ty	Remarks
1	<u>42110QACZ000</u> QM50QW-3.41.1-00	Stand center	1	
2	<u>09321Q100002</u> QM50QW.41-3	Cushion	1	
3	<u>05409Q081081</u> GB6187.1-2000	Nut M8	1	
4	<u>09111Q080004</u> QM50QW.41-2	Shaft, center stand	1	
5	<u>42270QAAZ000</u> QM50QW.41.2	Hook, spring	1	
6	<u>09443Q190001</u> QM50QW.41-1	Spring, return	1	
7	<u>09443Q160002</u> QM50QT-3M.81-02	Spring side stand	1	
8	<u>42310QACC000</u> QM50QT-3M.81.1-00	Stand comp side	1	
9	<u>09111Q080006</u> QM50QT-3M.81-01	Bolt, side stand	1	

FIG.37



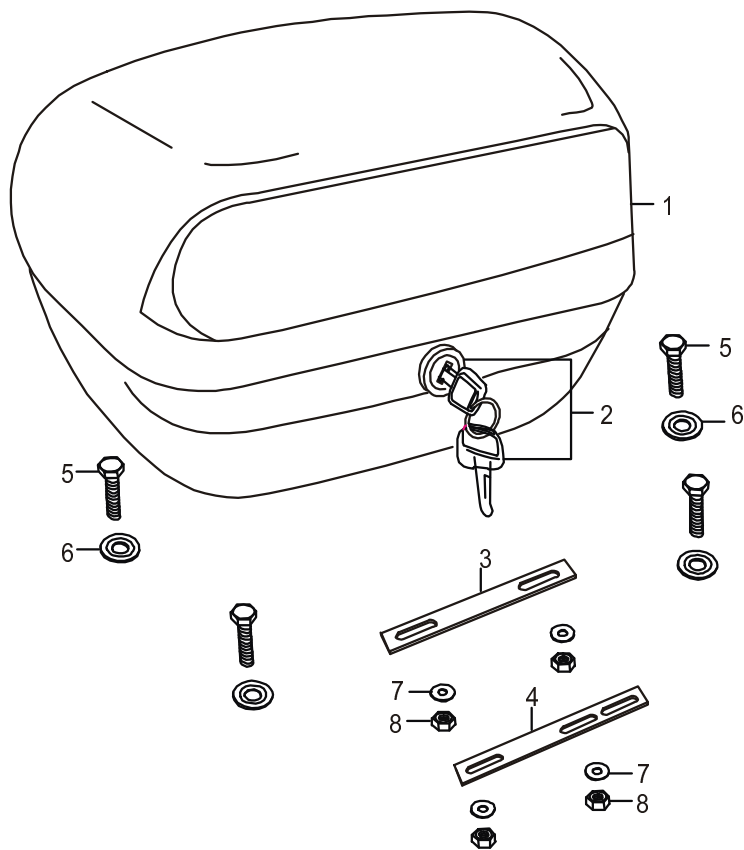
37

FIG.37

БАГАЖНИК

Ref.No.	Part No.	Description	Q'ty	Remarks
1	<u>46340QACC000</u> QM50QT-3M.40.1-00	Cover, rear carrier	1	
2	<u>43980QACC000</u> QM50QT-3M.40.2-00	Grip, rear	1	
3	<u>46310QACC000</u> QM50QT-3M.40.3-00	Bracket, rear carrier	1	
4	<u>05409Q081061</u> GB/6187.1-2000	Nut M6	8	
	<u>01631Q060121</u> GB/T9074.17-1988	Bolt M6x12	2	
6	<u>02104Q060281</u> GB/T16674.1-2004	Bolt M6x28	1	
7		Bush	1	
8		Gasket	1	

FIG.38
(Option)



38

FIG.38

КЕЙС

Ref.No.	Part No.	Description	Q'ty	Remarks
1	93100QACC000	Rear luggage box assy	1	
2	93301QACC000	Lock assy, luggage box	1	
3	93211QACC000	Installation board I, luggage box	1	
4	93221QACC000	Installation board II, luggage box	1	
5	01601Q060401 GB/T5783-2000	Bolt M6x40	4	
6	93231QACC000	Washer	4	
7	05420Q052061 GB/T96-1985	Washer 6	4	
8	05411Q012061 GB/T6177.1-2000	Nut M6	4	