



КАТАЛОГ ЗАПЧАСТЕЙ

FOX 50

QM50QT-3M

www.SkyBike.com.ua

Внимание!

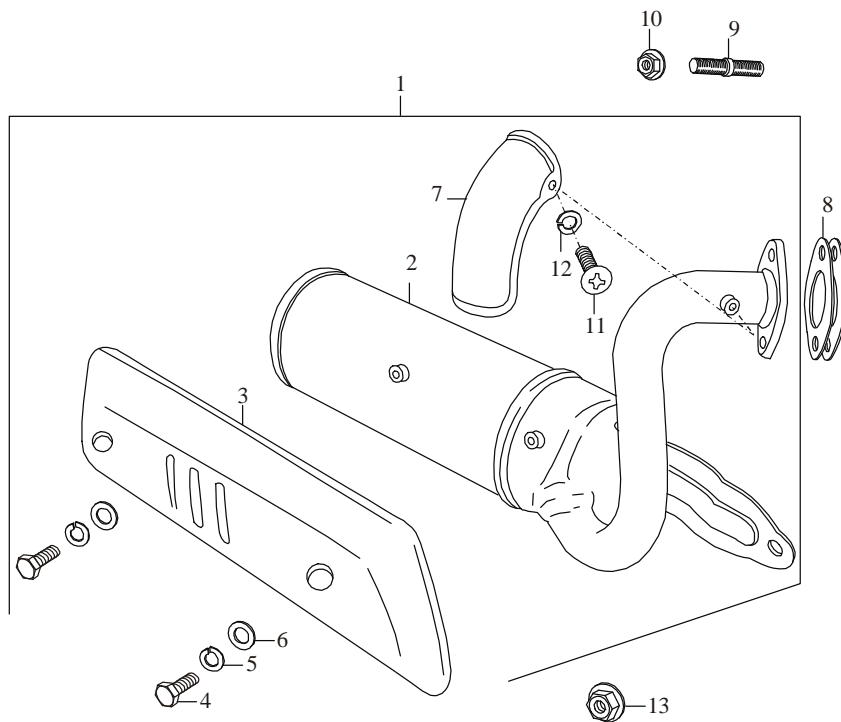
Для заказа запчастей необходимо в каталоге найти страницу с изображением интересующей вас детали. В левом верхнем углу написан код рисунка. Номер детали указан возле изображения детали. Например для заказа прокладки глушителя, для модели FORTUNE 50, вы пишете в заявке – "FIG.13 – 8 Прокладка глушителя" (или название на английском из каталога) и необходимое количество. Если группа деталей объединена скобкой, это значит, что детали продаются в комплекте.

После того, как вы определились с выбором детали, вы можете сделать заказ, уточнить наличие на складе, цену, позвонив по телефонам указанным на [сайте](#) или отправьте запрос на наш e-mail: repair@skybike.com.ua

КАТАЛОГ ЗАПЧАСТЕЙ

| . No. | | Стр | . No. | | Стр |
|---------|-----------------------|-----|--------|---------------------|-----|
| FIG.13 | ГЛУШИТЕЛЬ | 1 | FIG.32 | ПАНЕЛЬ ПОЛА | 28 |
| FIG.14 | ВОЗДУШНЫЙ ФИЛЬТР | 2 | FIG.33 | ИНСТРУМЕНТ | 29 |
| FIG.15 | СПИДОМЕТР | 3 | FIG.34 | БЕНЗОБАК | 30 |
| FIG.16 | ФАРА | 4 | FIG.35 | МАСЛЯНЫЙ БАК | 31 |
| FIG.16A | ФАРА | 5 | FIG.36 | ПОДНОЖКИ | 32 |
| FIG.17 | УКАЗАТЕЛИ ПОВОРОТОВ | 6 | FIG.37 | БАГАЖНИК | 33 |
| FIG.17A | УКАЗАТЕЛИ ПОВОРОТОВ | 7 | FIG.38 | КЕЙС | 34 |
| FIG.18 | ФОНАРЬ ЗАДНИЙ | 8 | FIG.39 | УКАЗАТЕЛИ ПОВОРОТОВ | 35 |
| FIG.18A | ФОНАРЬ ЗАДНИЙ | 9 | | | |
| FIG.19 | АККУМУЛЯТОР | 10 | | | |
| FIG.20 | ПРОВОДКА | 11 | | | |
| FIG.21 | РАМА | 13 | | | |
| FIG.22 | ПЕРЕДНЯЯ ВИЛКА | 14 | | | |
| FIG.23 | РУЛЬ | 16 | | | |
| FIG.24 | ПЕРЕКЛЮЧАТЕЛИ РУЛЕВЫЕ | 17 | | | |
| FIG.25 | ДИСК ПЕРЕДНИЙ | 19 | | | |
| FIG.26 | ДИСК ЗАДНИЙ | 21 | | | |
| FIG.27 | ПЛАСТИК РАМЫ | 22 | | | |
| FIG.28 | СИДУШКА | 23 | | | |
| FIG.29 | БРЫЗГОВИК | 24 | | | |
| FIG.30 | ПЕРЕДНИЙ ПЛАСТИК | 25 | | | |
| FIG.30A | ПЕРЕДНИЙ ПЛАСТИК | 26 | | | |
| FIG.31 | КРЫШКА ВНУТРЕННЯЯ | 27 | | | |

FIG.13



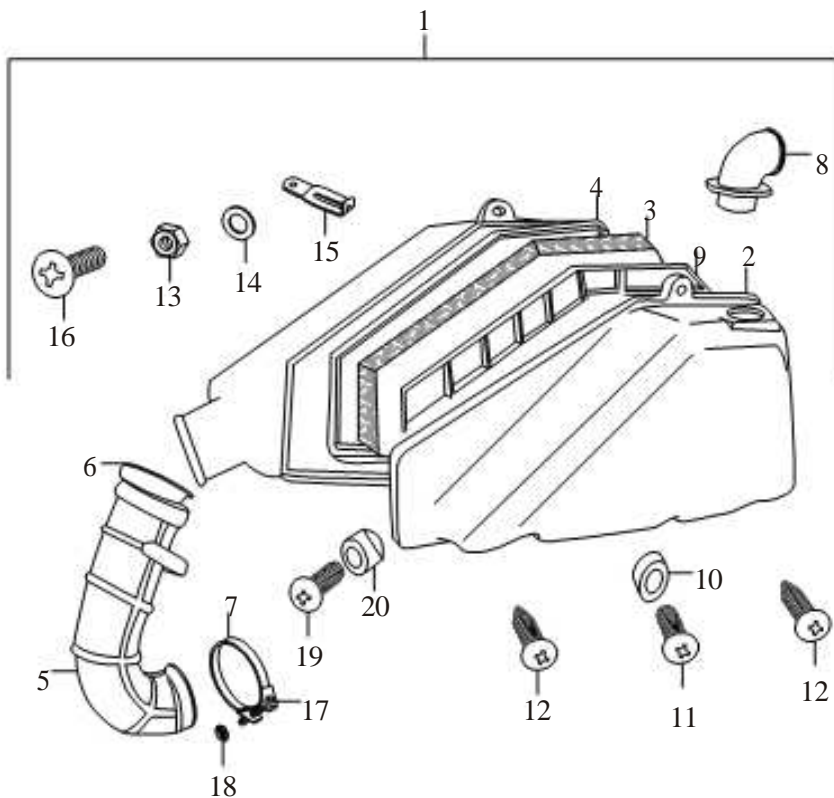
13

FIG.13

ГЛУШИТЕЛЬ

| Ref.No. | Part No. | Description | Q'ty | Remarks |
|---------|------------------------------------|----------------------|------|---------|
| 1 | 14300QACC000 | Muffler assy | 1 | |
| 2 | 14310QACZ000 DIE41QMB-2.09.1-00 | Body, muffler | 1 | |
| 3 | 14781QACC000 QM50QT-3M.09-01 | Cover, muffler | 1 | |
| 4 | 01504Q060144 GB/T5782-2000 | Bolt M6x14 | 2 | |
| 5 | 05421Q021064 GB859-87 | Lock washer 6 | 2 | |
| 6 | 05420Q022064 GB97.1-85 | Washer 6 | 2 | |
| 7 | 14156QACZ000 DIE41QMB-2.09-02 | Cover, exhaust pipe | 1 | |
| 8 | 14189QACC000 | Gasket, exhaust pipe | 2 | |
| 9 | DIE41QMB-2.09-03 | Bolt | 2 | |
| 10 | 05404Q011061 GB/T6177.1-2000 | Nut M6 | 2 | |
| 11 | 03411Q060082 GB818-85 | Screw M6x8 | 2 | |
| 12 | | Lock washer 6 | 2 | |
| 13 | 05409Q081081 GB/T6187.1-2000 | Nut M8 | 1 | |

FIG.14



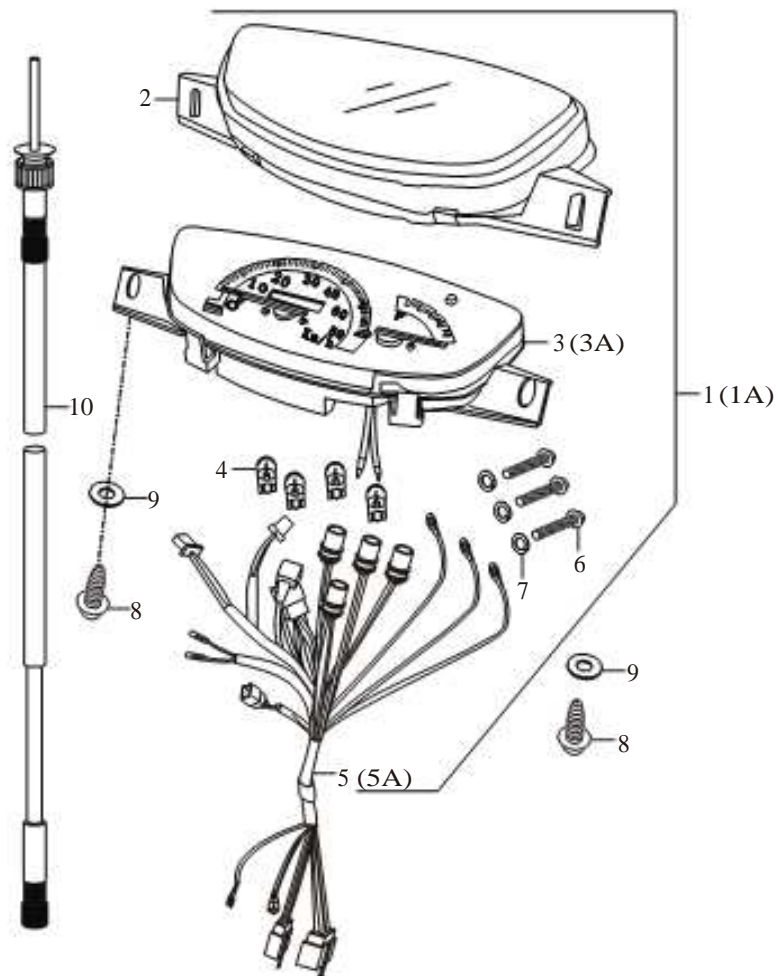
14

FIG.14

ВОЗДУШНЫЙ ФИЛЬТР

| Ref.No. | Part No. | Description | Q'ty | Remarks |
|---------|---|--------------------|------|---------|
| 1 | 13701QACZ000 D1E41QMB-2.11-00 | Air cleaner assy | 1 | |
| 2 | | Cover, air cleaner | 1 | |
| 3 | D1E41QMB-2.11-04 | Filter | 1 | |
| 4 | 13746QACZ000 D1E41QMB-2.11-03 | Seal | 1 | |
| 5 | D1E41QMB-2.11-03 | Tube, inlet | 1 | |
| 6 | 13883QACZ000 D1E41QMB-2.11-02 | Spring clamp | 1 | |
| 7 | 13820QACZ000 D1E41QMB-2.11.1-00 | Clamp | 1 | |
| 8 | | Hose, air cleaner | 1 | |
| 9 | 13791QACZ000 D1E41QMB-2.11-11 | Retainer, filter | 1 | |
| 10 | D1E41QMB-2.11-10 | Bush II | 1 | |
| 11 | GB818-2000 | Screw M6x25 | 1 | |
| 12 | 04010Q051902 GB/T845 | Screw | 2 | |
| 13 | 05411Q01205 GB/T41-2000 | Nut | 1 | |
| 14 | | Washer | 1 | |
| 15 | 13824QACZ000 D1E41QMB-2.11-13 | Clip | 1 | |
| 16 | | Screw | 1 | |
| 17 | GB818-2000 | Screw M4x20 | 1 | |
| 18 | GB6170-2000 | Nut M4 | 1 | |
| 19 | GB818-2000 | Screw M6x16 | 1 | |
| 20 | D1E41QMB-2.11-02 | Bush I | 1 | |

FIG.15



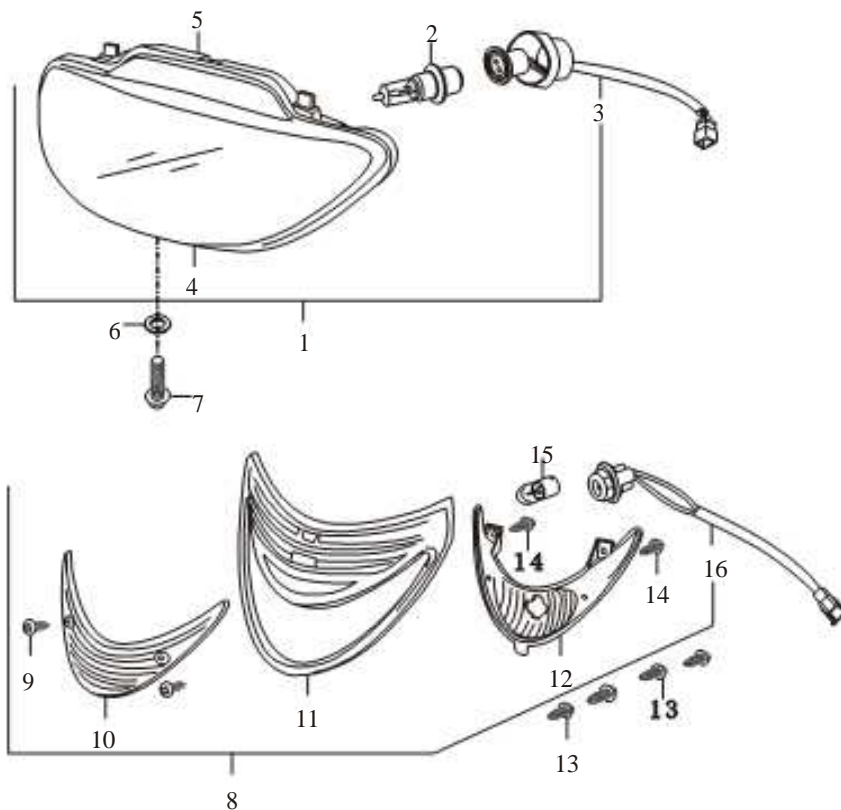
15

FIG.15

СПИДОМЕТР

| Ref.No. | Part No. | Description | Q'ty | Remarks |
|---------|--|----------------------------|------|---------|
| 1 | <u>34102QACC000</u> QM50QT-3M.64.1-00 | Speedometer assy | 1 | |
| 1A | | Speedometer assy | 1 | |
| 2 | 34111QACC000 | Upper case | 1 | |
| 3 | | Dial plate assy | 1 | |
| 3A | | Dial plate assy | 1 | |
| 4 | 07112Q010101 | Bulb 12V2W | 4 | |
| 5 | <u>34170QACC000</u> QM50QT-3M.64. | Wiring harness speedometer | 1 | |
| 5A | | Wiring harness speedometer | 1 | |
| 6 | <u>03411Q030224</u> GB/T818-2000 | Screw M3x22 | 3 | |
| 7 | <u>05421Q011034</u> GB/T93-1987 | Washer | 3 | |
| 8 | <u>04010Q041602</u> GB/T845 | Screw ST4.2x16 | 2 | |
| 9 | <u>05420Q052051</u> GB/T96-1985 | Washer 5 | 2 | |
| 10 | <u>34910QACC000</u> QM50QT-3M.64.2-00 | Cable assy, speedometer | 1 | |

FIG.16



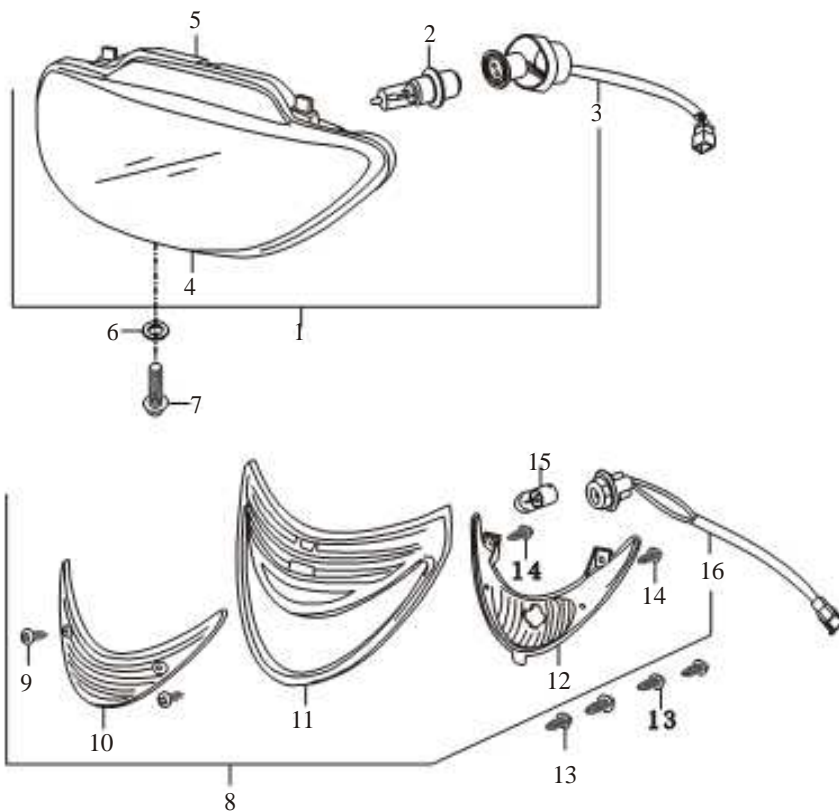
16

FIG.16

ΦAPA

| Ref.No. | Part No. | Description | Q'ty | Remarks |
|---------|--|-----------------------------|------|---------|
| 1 | <u>35101QACC000</u> | Headlamp assy | 1 | |
| 2 | QM50QT-3M.62.1.1-00 35131QACC000 | Bulb, headlamp 12V35/35W | 1 | |
| 3 | 35180QACC000 | Wire assy, headlamp | 1 | |
| 4 | 35124QACC000 QM50QT-3M.62.1-02 | Lens, headlamp | 1 | |
| 5 | 51811QACC000 QM50QT-3M.62.1-01 | Hood, headlamp | 1 | |
| 6 | 05420Q022051 GB 97.1-85 | Washer 5 | 1 | |
| 7 | 03411Q050121 GB/T818-2000 | Screw M5x12 | 1 | |
| 8 | 36101QACC000 QM50QT-3M.62.4.1-00 | Position lamp assy | 1 | |
| 9 | 04010Q021302 GB/T845 | Screw ST2.9x13 | 2 | |
| 10 | | Lens, position lamp | 1 | |
| 11 | 36112QACC000 | Cover, position lamp | 1 | |
| 12 | | Hood, position lamp | 1 | |
| 13 | 04010Q041302 GB/T845 | Screw ST4.2x13 | 4 | |
| 14 | 04010Q040952 GB/T845 | Screw ST4.2x9.5 | 2 | |
| 15 | 07110Q010121 | BulbW3W | 1 | |
| 16 | | Wire assy, position lamp | 1 | |

FIG.16A



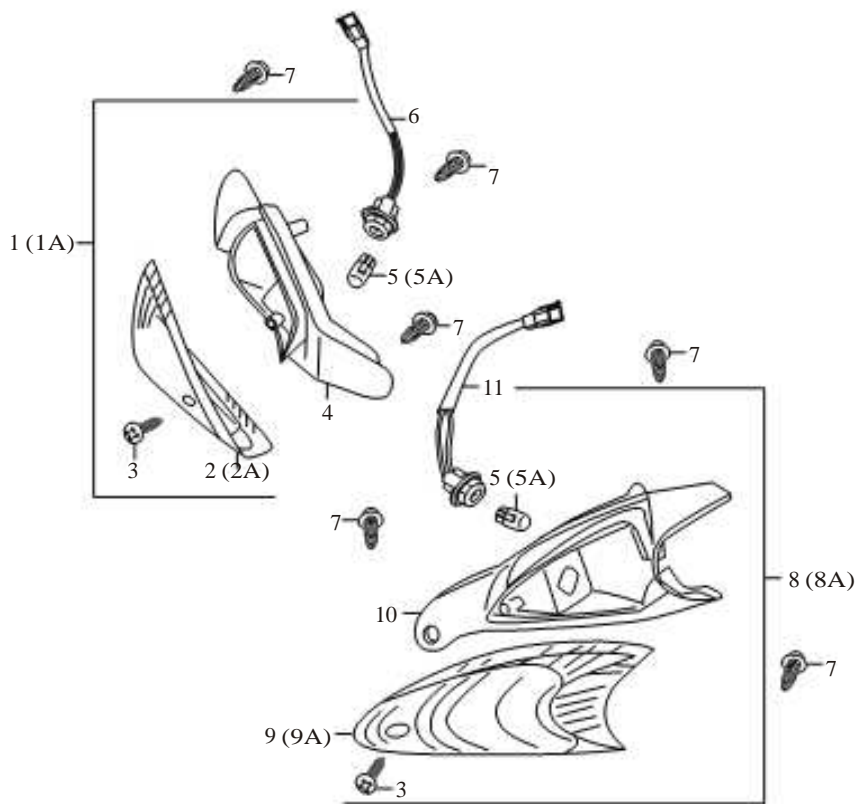
16A

FIG.16A

ΦAPA

| Ref.No. | Part No. | Description | Q'ty | Remarks |
|---------|---|-----------------------------|------|---------|
| 1 | <u>35101QACC020</u> QM50QT-3M.62a.1.1-00 | Headlamp assy | 1 | |
| 2 | | Bulb, headlamp 12V35/35W | 1 | |
| 3 | | Wire assy, headlamp | 1 | |
| 4 | | Lens, headlamp | 1 | |
| 5 | | Hood, headlamp | 1 | |
| 6 | <u>05420Q022051</u> GB 97.1-85 | Washer 5 | 1 | |
| 7 | <u>03411Q050121</u> GB/T818-2000 | Screw M5x12 | 1 | |
| 8 | <u>36101QACC000</u> QM50QT-3M.62.4.1-00 | Position lamp assy | 1 | |
| 9 | <u>04010Q021302</u> GB/T845 | Screw ST2.9x13 | 2 | |
| 10 | | Lens, position lamp | 1 | |
| 11 | 36112QACC000 | Cover, position lamp | 1 | |
| 12 | | Hood, position lamp | 1 | |
| 13 | <u>04010Q041302</u> GB/T845 | Screw ST4.2x13 | 4 | |
| 14 | <u>04010Q040952</u> GB/T845 | Screw ST4.2x9.5 | 2 | |
| 15 | 07110Q010121 | BulbW3W | 1 | |
| 16 | | Wire assy, position lamp | 1 | |

FIG.17



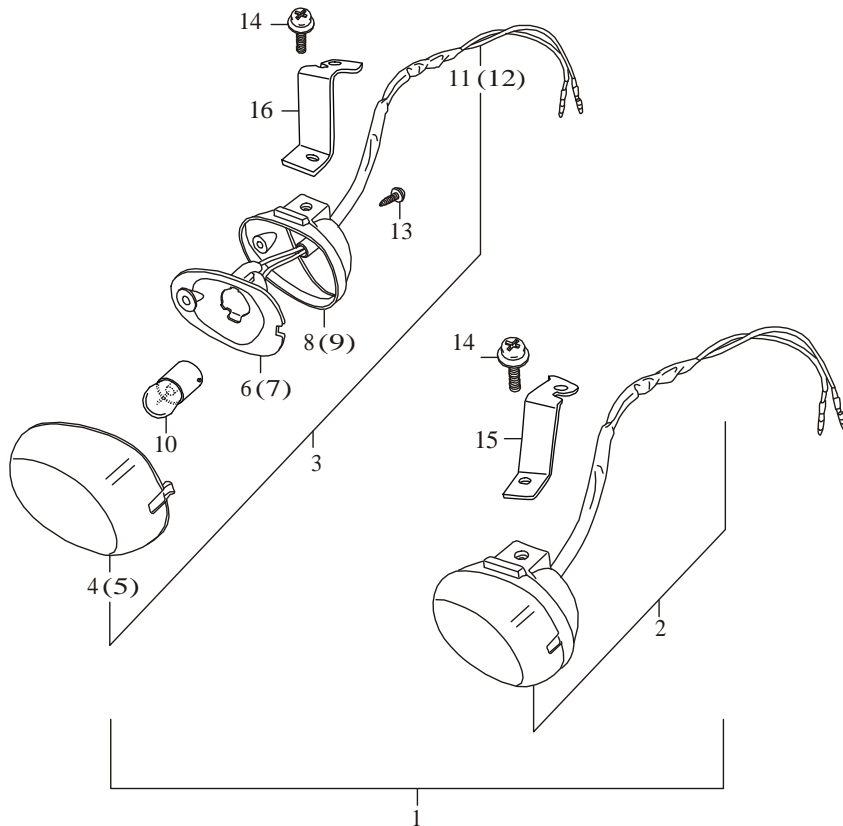
17

FIG.17

УКАЗАТЕЛИ ПОВОРОТОВ

| Ref.No. | Part No. | Description | Q'ty | Remarks |
|---------|---|----------------------------|------|---------|
| 1 | <u>35601QACC000</u> QM50QT-3M.62.2.2-00 | Front winker assy RH | 1 | |
| 1A | <u>35601QACC010</u> QM50QT-3M(3).62.2.2-00 | Front winker assy RH | 1 | |
| 2 | <u>35612QACC000</u> QM50QT-3M.62.2.2-01 | Lens, front winker, RH | 1 | |
| 2A | <u>35612QACC010</u> QM50QT-3M(3).62.2.2-01 | Lens, front winker, RH | 1 | |
| 3 | <u>04010Q031302</u> GB/T845 | Screw ST3.5x13 | 2 | |
| 4 | <u>35614QACC000</u> QM50QT-3M.62.2.1-01 | Body, front winker RH | 1 | |
| 5 | 35616QACC000 | Bulb | 2 | |
| 5A | 35616QACC010 | Bulb | 2 | |
| 6 | 35610QACC000 | Wire assy front winker, RH | 1 | |
| 7 | <u>04010Q041302</u> GB/T845 | Screw ST4.2x13 | 6 | |
| 8 | <u>35602QACC000</u> QM50QT-3M.62.2.1-00 | Front winker assy, LH | 1 | |
| 8A | <u>35602QACC010</u> QM50QT-3M(3).62.2.1-00 | Front winker assy, LH | 1 | |
| 9 | <u>35632QACC000</u> QM50QT-3M.62.2.1-02 | Lens, front winker, LH | 1 | |
| 9A | <u>35632QACC010</u> QM50QT-3M(3).62.2.1-02 | Lens, front winker, LH | 1 | |
| 10 | <u>35634QACC000</u> | Body, front winker, LH | 1 | |
| 11 | <u>QM50QT-3M.62.2.1-01</u> 35630QACC000 | Wire assy front winker, LH | 1 | |

FIG.17A
(Option)

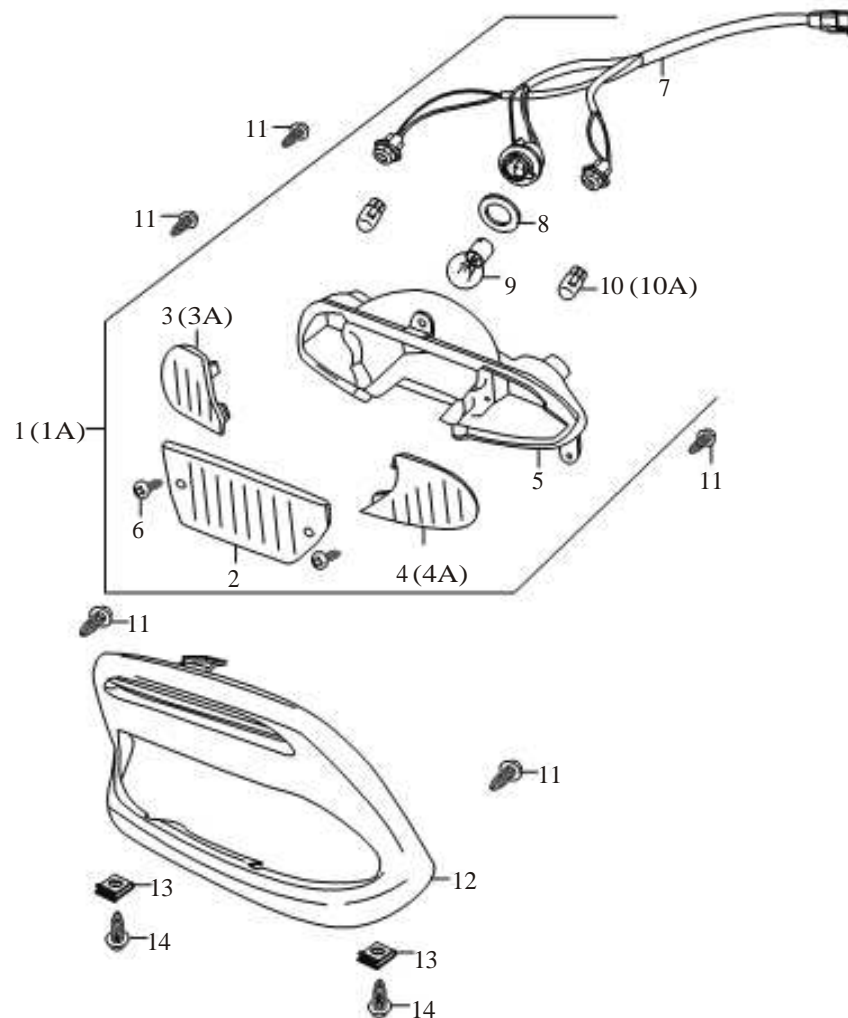


17A
FIG.17A

УКАЗАТЕЛИ ПОВОРОТОВ

| Ref.No. | Part No. | Description | Q'ty | Remarks |
|---------|--------------------|------------------------------|------|---------|
| 1 | QM125T-10E.69-00 | Front winker assy | 1 | |
| 2 | QM125T-10E.69.1-00 | Front winker assy, LH | 1 | |
| 3 | QM125T-10E.69.2-00 | Front winker assy RH | 1 | |
| 4 | | Lens, front winker LH | 1 | |
| 5 | | Lens, front winker RH | 1 | |
| 6 | | Socket assy, front winker LH | 1 | |
| 7 | | Socket assy, front winker RH | 1 | |
| 8 | | Body, front winker LH | 1 | |
| 9 | | Body, front winker RH | 1 | |
| 10 | | Bulb | 2 | |
| 11 | | Wire assy, front winker LH | 1 | |
| 12 | | Wire assy, front winker RH | 1 | |
| 13 | | Screw | 2 | |
| 14 | GB9074.3-88 | Screw M5x12 | 2 | |
| 15 | | Bracket, front winker LH | 1 | |
| 16 | | Bracket, front winker RH | 1 | |

FIG.18



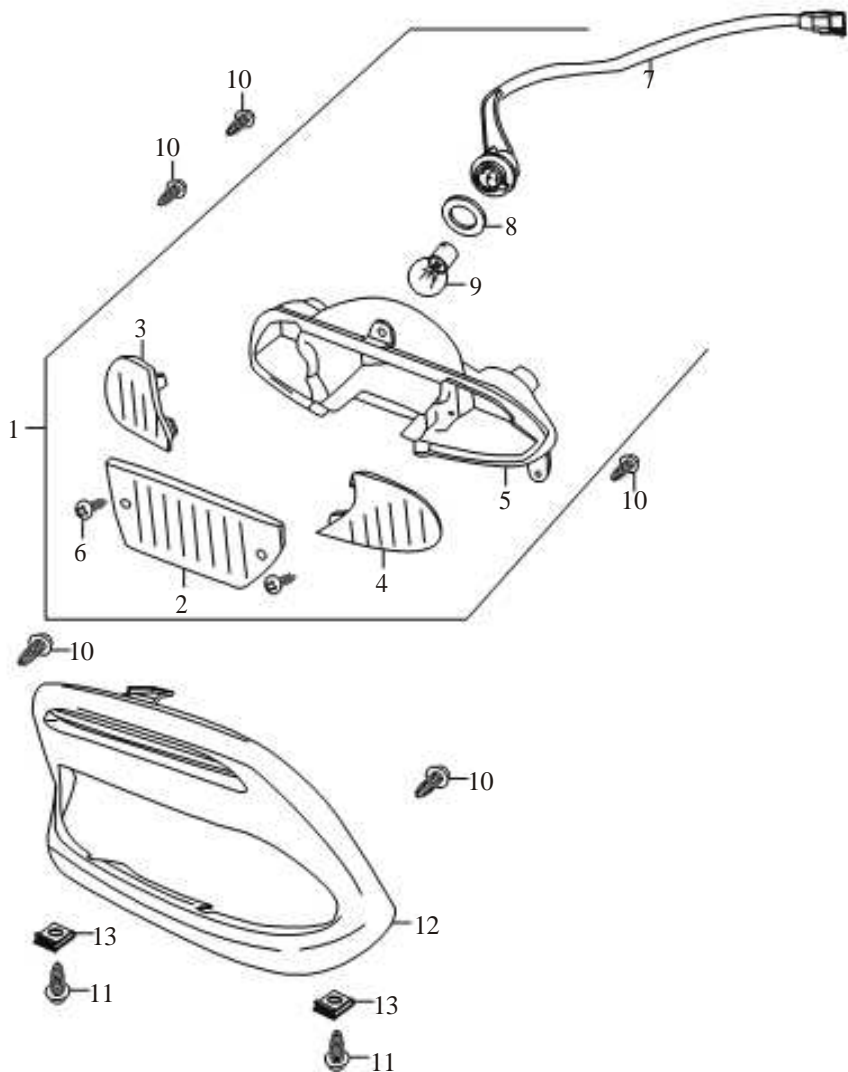
18

FIG.18

ЗАДНИЙ ФОНАРЬ

| Ref.No. | Part No. | Description | Q'ty | Remarks |
|---------|-----------------------------------|-----------------------------|------|---------|
| 1 | 35701QACC000 | Tail lamp assy | 1 | |
| 1A | | Tail lamp assy | 1 | |
| 2 | 35712QAGG000 | Lens, tail lamp | 1 | |
| 3 | 35673QACC000 QM50QT-3M.62.3-01 | Lens, rear winker LH | 1 | |
| 3 A | | Lens, rear winker LH | 1 | |
| 4 | 35653QACC000 QM50QT-3M.62.3-03 | Lens, rear winker RH | 1 | |
| 4A | | Lens, rear winker RH | 1 | |
| 5 | 35715QACC000 QM50QT-3M.62.3-05 | Body, tail lamp | 1 | |
| 6 | 04010Q041304 GB/T845-85 | Screw ST4.2x13 | 2 | |
| 7 | | Wire assy, tail lamp | 1 | |
| 8 | | Seal | 1 | |
| 9 | 07110Q007121 | Bulb, tail lamp P21/5W | 1 | |
| 10 | | Bulb, rear winker 12V10W | 2 | |
| 10A | | Bulb, rear winker 12V10W | 2 | |
| 11 | 04010Q041302 GB/T845-85 | Screw ST4.2x13 | 5 | |
| 12 | 47331QACC000 QM50QT-3M.46-19 | Cover, tail lamp | 1 | |
| 13 | 09148Q040001 | Clip | 2 | |
| 14 | 04010Q051602 GB/T845-85 | Screw ST4.8x16 | 2 | |

FIG.18A



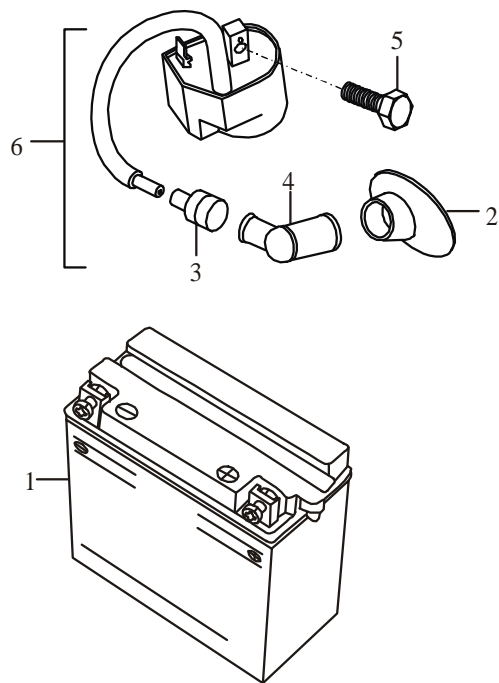
18A

FIG.18A

ЗАДНИЙ ФОНАРЬ

| Ref.No. | Part No. | Description | Q'ty | Remarks |
|---------|----------------------------|------------------------|------|---------|
| 1 | | Tail lamp assy | 1 | |
| 2 | | Lens, tail lamp | 1 | |
| 3 | | Lens, rear winker LH | 1 | |
| 4 | | Lens, rear winker RH | 1 | |
| 5 | | Body, tail lamp | 1 | |
| 6 | 04010Q041304 GB/T845-85 | Screw ST4.2x13 | 2 | |
| 7 | | Wire assy, tail lamp | 1 | |
| 8 | | Seal | 1 | |
| 9 | 07110Q007121 | Bulb, tail lamp P21/5W | 1 | |
| 10 | 04010Q041302 GB/T845-85 | Screw ST4.2x13 | 5 | |
| 11 | 04010Q051602 GB/T845-85 | Screw ST4.8x16 | 2 | |
| 12 | | Cover, tail lamp | 1 | |
| 13 | 09148Q040001 | Clip | 2 | |

FIG.19



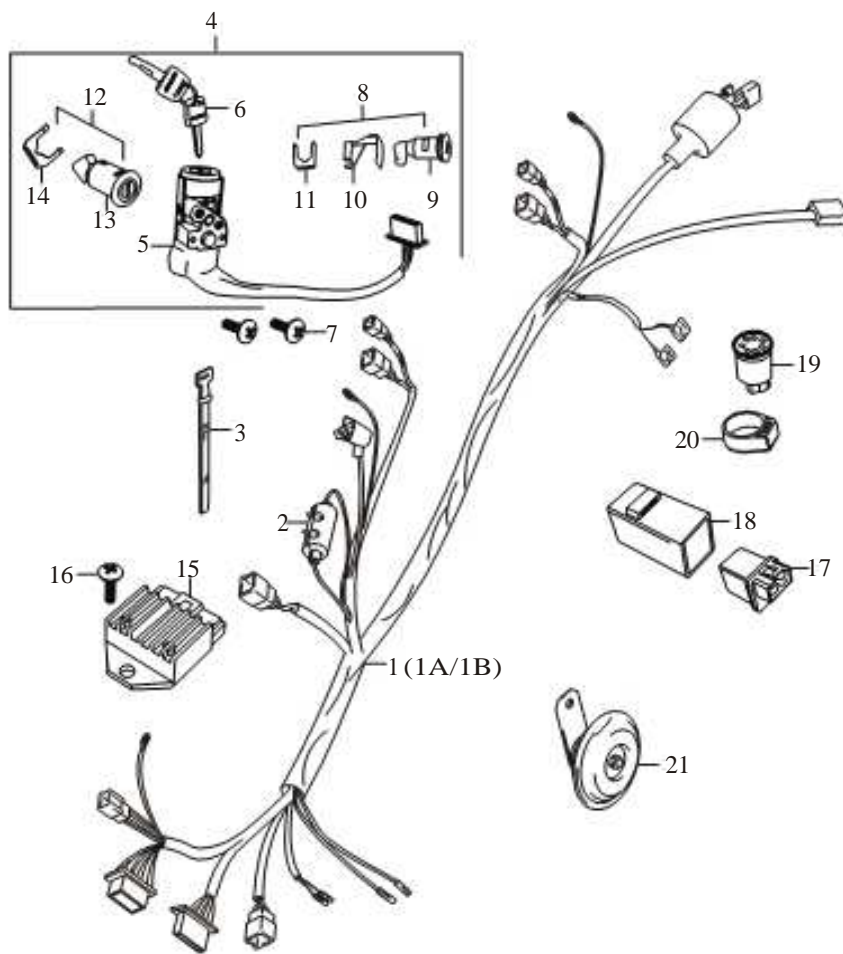
19

FIG.19

АККУМУЛЯТОР

| Ref.No. | Part No. | Description | Q'ty | Remarks |
|---------|---|--------------------|------|---------|
| 1 | <u>33601QAAZ000</u> QM50QW(D).60 | Battery assy | 1 | |
| 2 | 33543QAA2000 | Seal, spark plug | 1 | |
| 3 | <u>33510QAA2000</u> DIE41QMB.07-02.3 | Cap, spark plug | 1 | |
| 4 | 33542QAA2000 | Seal, high tension | 1 | |
| 5 | <u>016020060251</u> GB5783 | cord Bolt M6x25 | 1 | |
| 6 | <u>33410QAA2000</u> DIE41QMB.07.3.1-00 | Ignition coil | 1 | |

FIG.20



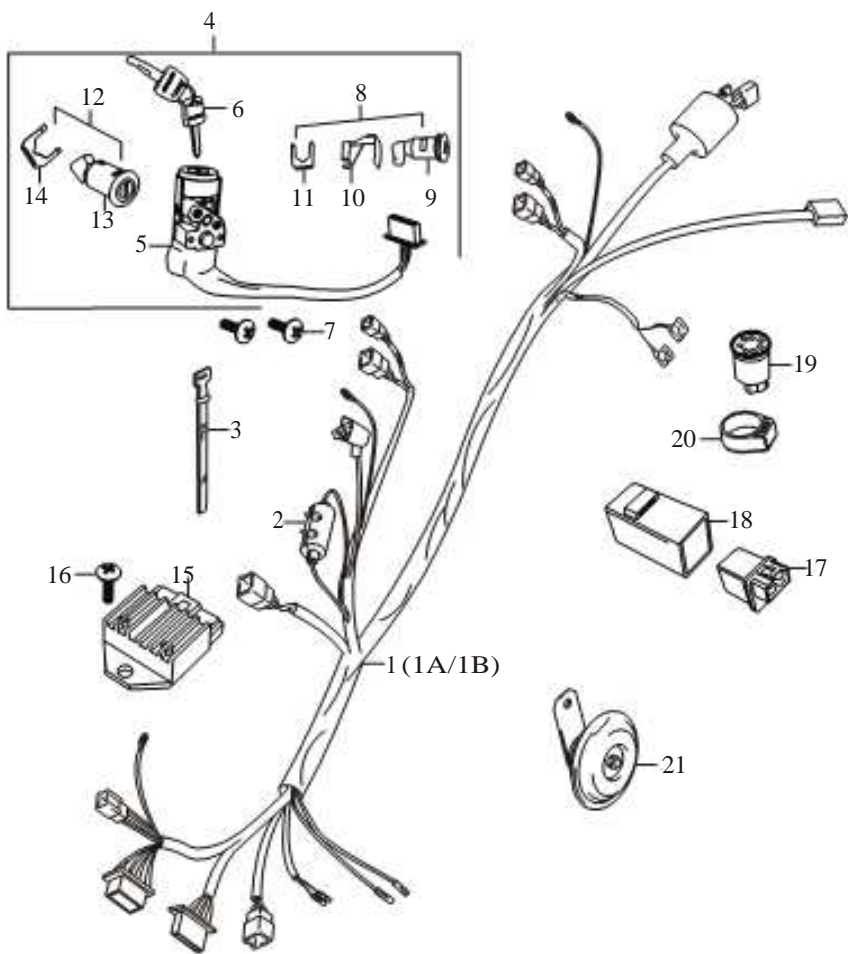
20

FIG.20

ПРОВОДКА

| Ref.No. | Part No. | Description | Q'ty | Remarks |
|---------|---|-----------------------|------|---------|
| 1 | <u>36610QACC000</u> QM50QT-3M.67-00 | Wiring harness | 1 | |
| 1A | <u>36610QACC010</u> QM50QT-3M.67-00a | Wiring harness | 1 | |
| 1B | | Wiring harness | 1 | |
| 2 | | Fuse 10A | 2 | |
| 3 | 09407Q254001 | Clamp | 4 | |
| 4 | 39000QACC000 | Lock comp | 1 | |
| 5 | 37101QACC000 | Switch assy, ignition | 1 | |
| 6 | 37158QACC000 | Key | 2 | |
| 7 | <u>03421Q060081</u> GB/T819.1-2000 | Screw M6x8 | 2 | |
| 8 | 95700QACC000 | Seat lock assy | 1 | |
| 9 | 95701QACC000 | Body, seat lock | 1 | |
| 10 | 95751QACC000 | Holder, seat lock | 1 | |
| 11 | 47721QACC000 | Piece, holder | 1 | |
| 12 | 47700QACC000 | Lock assy, inner box | 1 | |
| 13 | 47710QACC000 | Lock set, inner box | 1 | |
| 14 | 47721QACC000 | Piece, holder | 1 | |
| 15 | <u>32801QAEFZ000</u> AG50.71-00 | Regulator, comp | 1 | |
| 16 | 03411Q060121 | Screw M6x12 | 1 | |
| 17 | <u>31801QDAZ000</u> AG50.73.1-00 | Relay, starting motor | 1 | |
| 18 | 38628QAGZ000 | Seal, reley | 1 | |

FIG.20



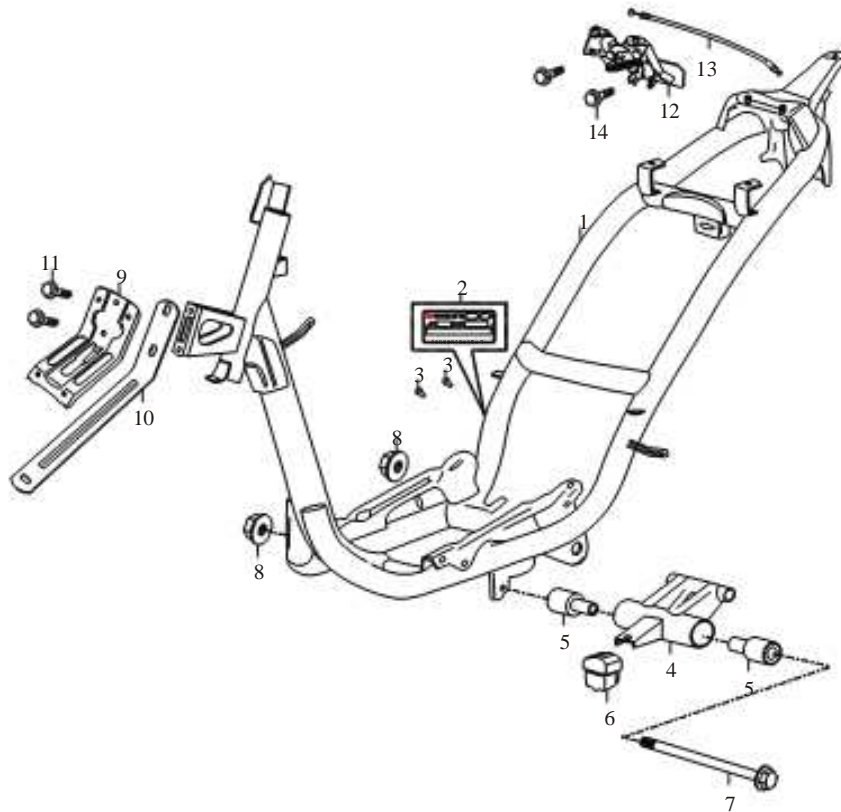
20

FIG.20

ПРОВОДКА

| Ref.No. | Part No. | Description | Q'ty | Remarks |
|---------|--------------------------------|--------------------|------|---------|
| 19 | 38601QAGZ000 QM50QT-6.72-00 | Relay, turn signal | 1 | |
| 20 | 38628QAGZ000 QM50QT-6.72-01 | Seal | 1 | |
| 21 | 38501QAA2000 QM50QT-B.63-00 | Horn assy | 1 | |

FIG.21



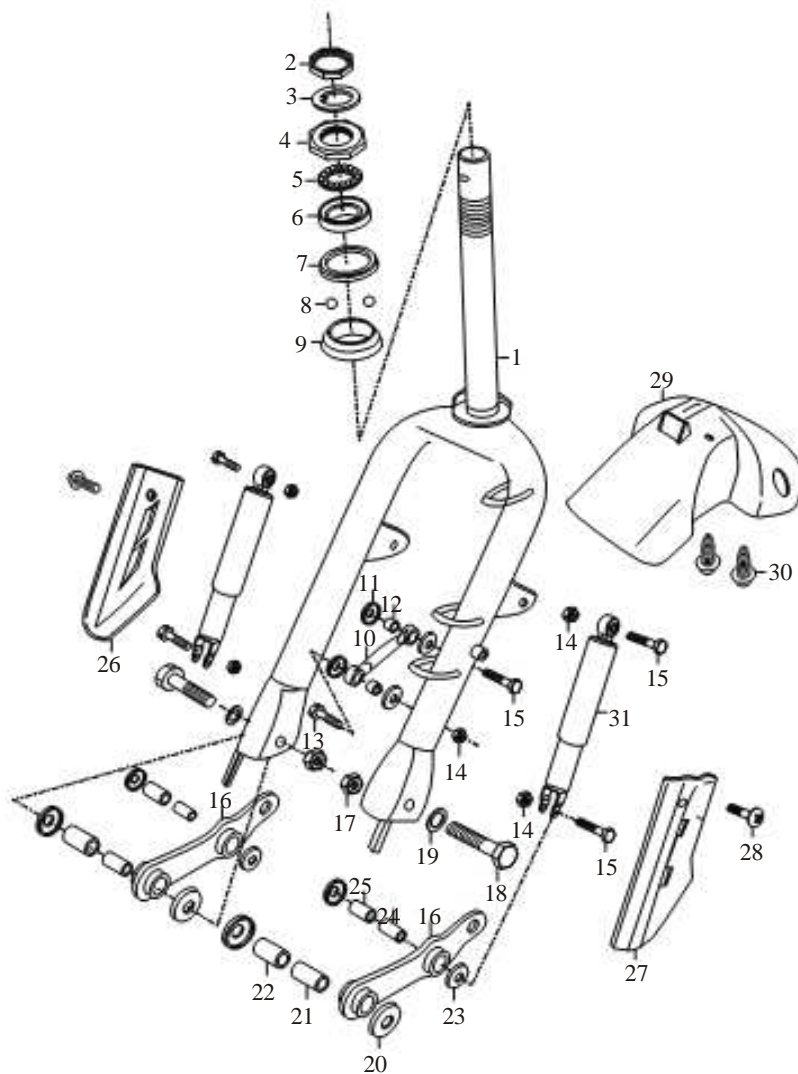
21

FIG.21

PAMA

| Ref.No. | Part No. | Description | Q'ty | Remarks |
|---------|--|---------------------------------|------|---------|
| 1 | 41100QACC000 QM50QT-3M.30.1-00 | Body comp, frame | 1 | |
| 2 | 09600Q000001 | Frame nameplate | 1 | |
| 3 | 05011Q220051 GB/T827-1986 | Rivet | 2 | |
| 4 | 41180QACC000 QM50QT-3M.30.3.1-00 | Bracket set, crankcase mounting | 1 | |
| 5 | 09319Q100005 QM50QT-3M.30.3.3-00 | Bush | 2 | |
| 6 | 41185QACC000 QM50QT-3M.30-01 | Cushion | 1 | |
| 7 | 41188QACC000 QM50QT-3M.30-02 | Shaft | 1 | |
| 8 | 05409Q091101 GB/T6187.2 | Nut M10x1.25 | 2 | |
| 9 | 41150QACC000 QM50QT-3M.30.1-00 | Bracket, front cover | 1 | |
| 10 | 41891QACC000 QM50QT-3M.30.2-01 | Bracket | 1 | |
| 11 | 02104Q060162 GB/T16674 | Bolt M6x16 | 2 | |
| 12 | 45701QACC000 | Bracket assy, seat lock | 1 | |
| 13 | 45280QACC000 | Cable assy, seat lock | 1 | |
| 14 | 02104Q060121 GB/T16674 | Bolt M6x12 | 2 | |

FIG.22



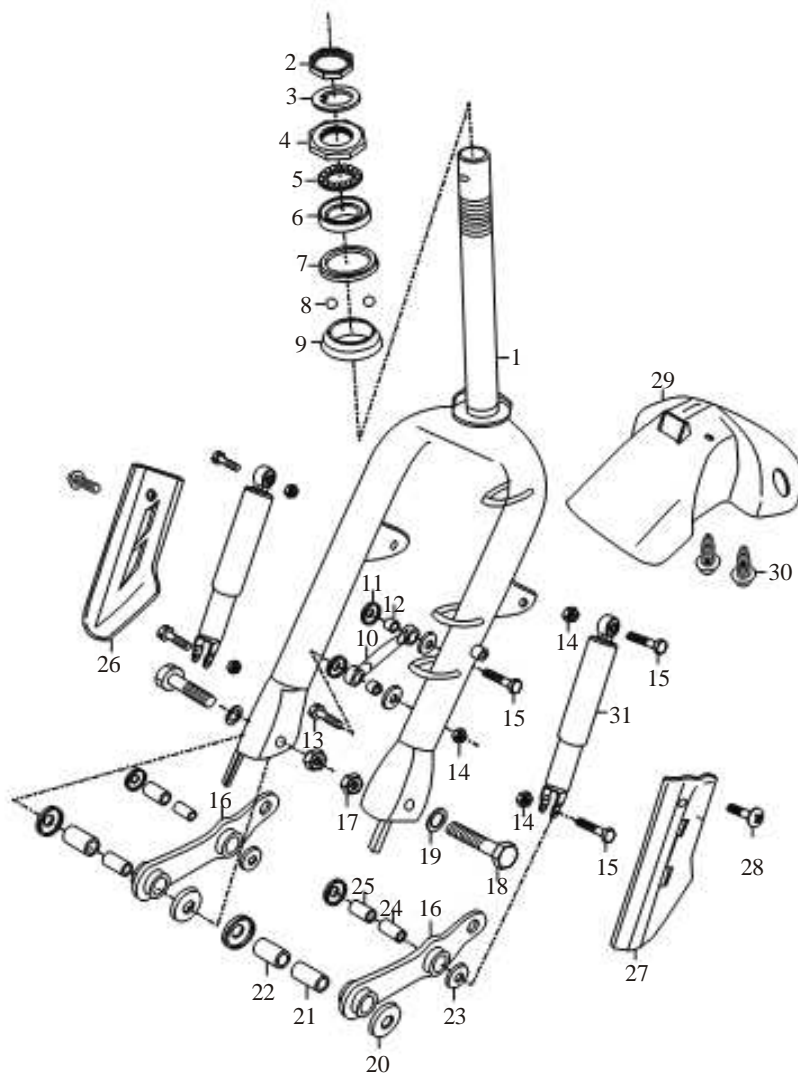
22

FIG.22

ПЕРЕДНЯЯ ВИЛКА

| Ref.No. | Part No. | Description | Q'ty | Remarks |
|---------|---|---------------------------|------|---------|
| 1 | 51210QACC000 QM50QT-3M.31.2-00 | Fork, front | 1 | |
| 2 | 51631QACC000 QM50QT-3M.31-01 | Lock nut | 1 | |
| 3 | 09166Q210001 | Lock washer, | 1 | |
| 4 | 51621QACC000 QM50QT-3M.31-02 51659QACC000 | Race, outer upper | 1 | |
| 5 | QM50QT-3M.31.3-00 | Ball assy | 1 | |
| 6 | 51611QACC000 QM50QT-3M.31-03 | Race, inner upper | 1 | |
| 7 | 51612QAFZ000 QM50T-7.30-01 | Race, inner lower | 1 | |
| 8 | 05450Q001012 GB308-99 | Ball 5/32 | 30 | |
| 9 | 51622QAFZ000 QM50T-7.31.1-01 | Race steering outer lower | 1 | |
| 10 | 54311QAFZ000 QM50T-7.31.5-01 | Torquering rod | 1 | |
| 11 | 54342QACC000 | Washer III | 4 | |
| 12 | 54312QAFZ000 QM50T-7.31.5-02 | Spacer | 2 | |
| 13 | 01501Q080451 GB5782-2000 | Bolt M8x45 | 1 | |
| 14 | 054091Q042081 GB6184-86 | Nut M8 | 5 | |
| 15 | 01601Q080351 GB5783-2000 | Bolt M8x35 | 5 | |
| 16 | 52420QACC000 QM50QT-3M.31.4-00 | Arm, front shock | 2 | |
| 17 | 05401Q011101 GB6170-2000 | Nut M10 | 2 | |
| 18 | 01501Q100401 GB5782-2000 | Bolt M10x40 | 2 | |
| 19 | 05240Q021101 GB/T97.1-1985 | Washer 10 | 2 | |
| 20 | 52452QACC000 QM50QT-3M.31-12 | Washer II | 4 | |

FIG.22



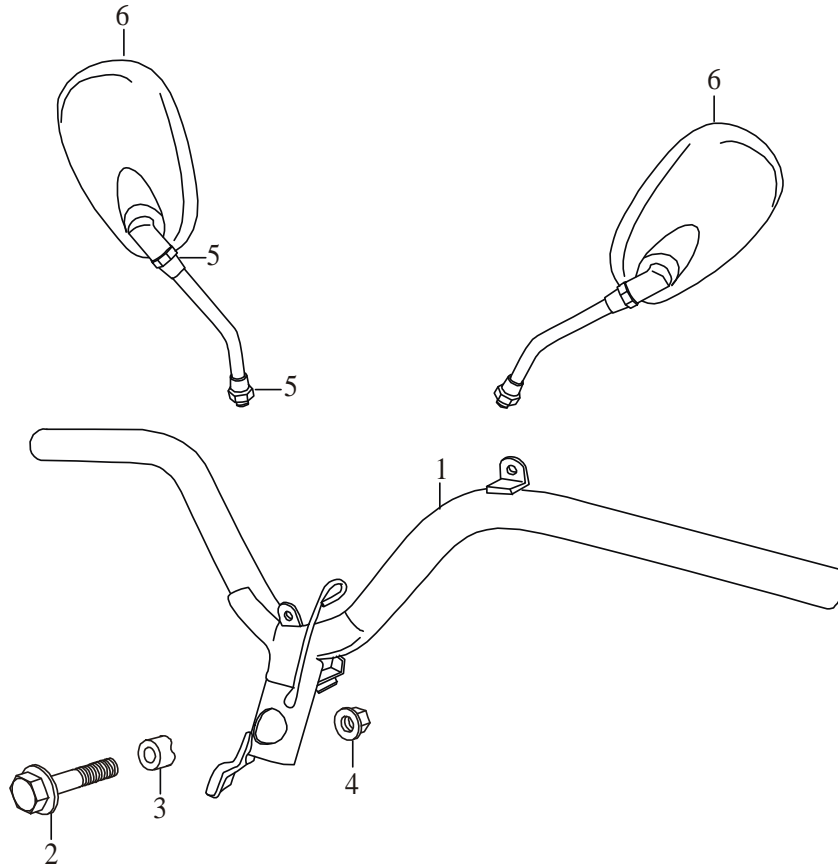
22

FIG.22

ПЕРЕДНЯЯ ВИЛКА

| Ref.No. | Part No. | Description | Q'ty | Remarks |
|---------|--|----------------------|------|---------|
| 21 | <u>52432QACC000</u> QM50QT-3M.31-11 | Spacer D | 2 | |
| 22 | <u>52431QACC000</u> QM50QT-3M.31-07 | Spacer C | 2 | |
| 23 | <u>52451QACC000</u> QM50QT-3M.31-09 | Washer I | 4 | |
| 24 | <u>52414QACC000</u> QM50QT-3M.31-10 | Spacer B | 2 | |
| 25 | <u>52413QACC000</u> QM50QT-3M.31-06 | Spacer A | 2 | |
| 26 | <u>52453QACC000</u> QM50QT-3M.46-09 | Cover, front fork RH | 1 | |
| 27 | <u>52454QACC000</u> QM50QT-3M.46-08 | Cover, front fork LH | 1 | |
| 28 | <u>03411Q0500081</u> GB/T818-2000 | Screw M5x8 | 2 | |
| 29 | <u>53111QACC000</u> QM50QT-3M.37-01 | Front fender | 1 | |
| 30 | <u>04010Q051302</u> GB/T845-85 | Screw ST4.8x13 | 2 | |
| 31 | <u>52100QACC000</u> QM50QT-3M.31.1-00 | Shock absorber front | 2 | |

FIG.23



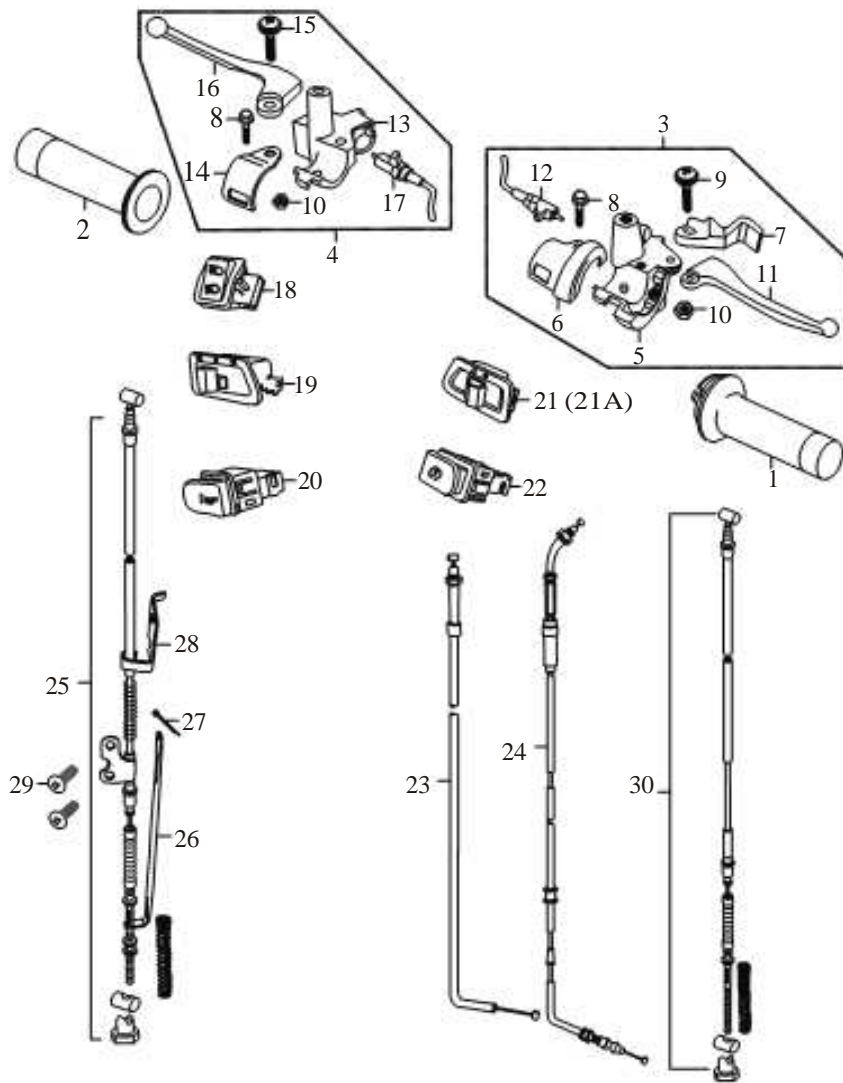
23

FIG.23

РУЛЪ

| Ref.No. | Part No. | Description | Q'ty | Remarks |
|---------|---|------------------|------|---------|
| 1 | <u>56110QACC000</u> QM50QT-3M.32.1-00 | Handlebar assy | 1 | |
| 2 | <u>02324Q100501</u> GB/T5789-1986 | Bolt M10x1.25x50 | 1 | |
| 3 | <u>56213QACC000</u> QM50QT-3M.32-01 | Joint spacer | 1 | |
| 4 | <u>05409Q091101</u> GB/T6187.2-2000 | Nut M10x1.25 | 1 | |
| 5 | <u>56532QACC000</u> QM50QT-3M.32.2-01 | Nut | 4 | |
| 6 | <u>56510QACC000</u> QM50QT-3M.32.11-00 | Mirror assy | 2 | |

FIG.24



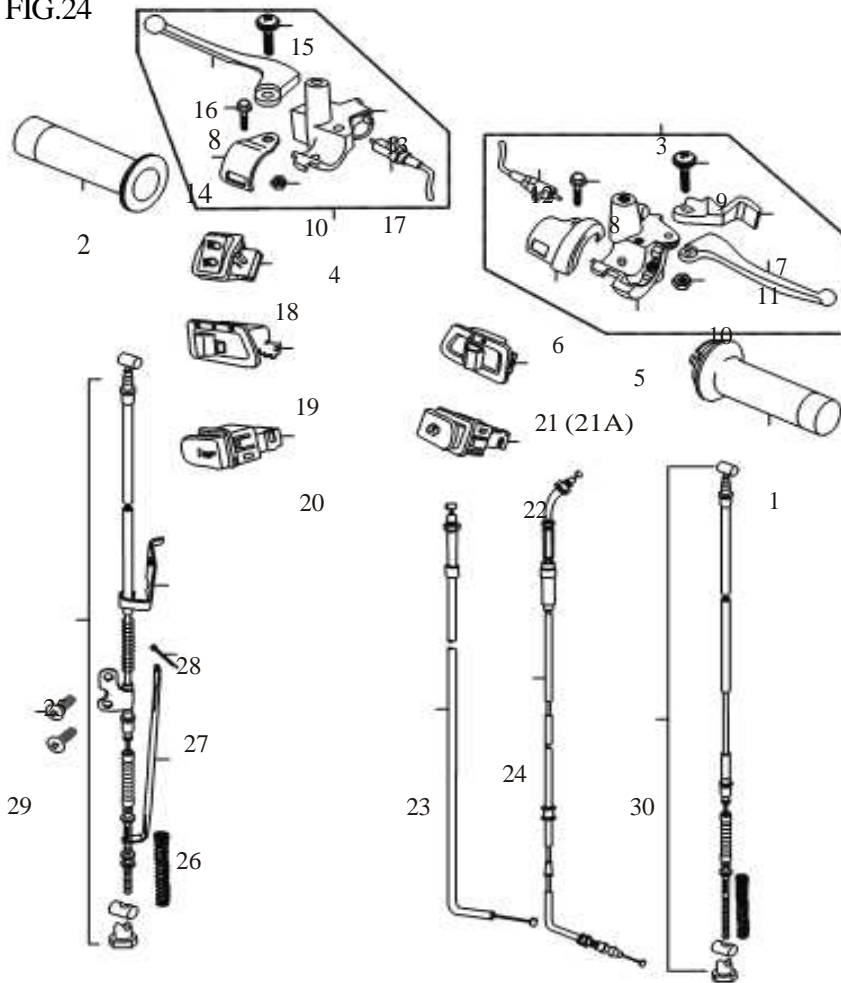
24

FIG.24

ПЕРЕКЛЮЧАТЕЛИ РУЛЕВЫЕ

| Ref.No. | Part No. | Description | Q'ty | Remarks |
|---------|------------------------------------|--------------------------|------|---------|
| 1 | 57110QACC000 QM50QT-3M.32.4-00 | Grip, throttle | 1 | |
| 2 | 57210QACC000 QM50QT-3M.32.3-00 | Grip, left | 1 | |
| 3 | 57300QACC000 QM50QT-3M.32.10-00 | Brake lever assy, RH | 1 | |
| 4 | 57500QACC000 QM50QT-3M.32.9-00 | Brake lever assy, LH | 1 | |
| 5 | 57311QACC000 QM50QT-3M.32.10-02 | Level bracket, RH | 1 | |
| 6 | 57361QACC000 QM50QT-3M.32.10-01 | Band, level bracket RH | 1 | |
| 7 | 58721QACC000 QM50QT-3M.32.10-03 | Lever, choke | 1 | |
| 8 | 02104Q060164 GB/T6184-2004 | Bolt M6x16 | 2 | |
| 9 | 57341QACC000 QM50QT-3M.32.10-05 | Screw | 1 | |
| 10 | 05409Q041052 GB/T6184-2000 | Nut M6 | 2 | |
| 11 | 57421QACC000 QM50QT-3M.32.10-04 | Lever, front brake | 1 | |
| 12 | 57460QACC000 QM50QT-3M.66.6-00 | Switch assy, front brake | 1 | |
| 13 | 57511QACC000 QM50QT-3M.32.9-04 | Level bracket, LH | 1 | |
| 14 | 57531QACC000 QM50QT-3M.32.9-07 | Band, level bracket LH | 1 | |
| 15 | 57634QACC000 QM50QT-3M.32.9-03 | Screw | 1 | |
| 16 | 57621QACC000 QM50QT-3M.32.9-01 | Lever, rear brake | 1 | |
| 17 | 57470QACC000 QM50QT-3M.66.7-00 | Switch assy, rear brake | 1 | |
| 18 | 37420QACC000 QM50QT-3M.66.1-00 | Dimmer switch assy | 1 | |

FIG.24



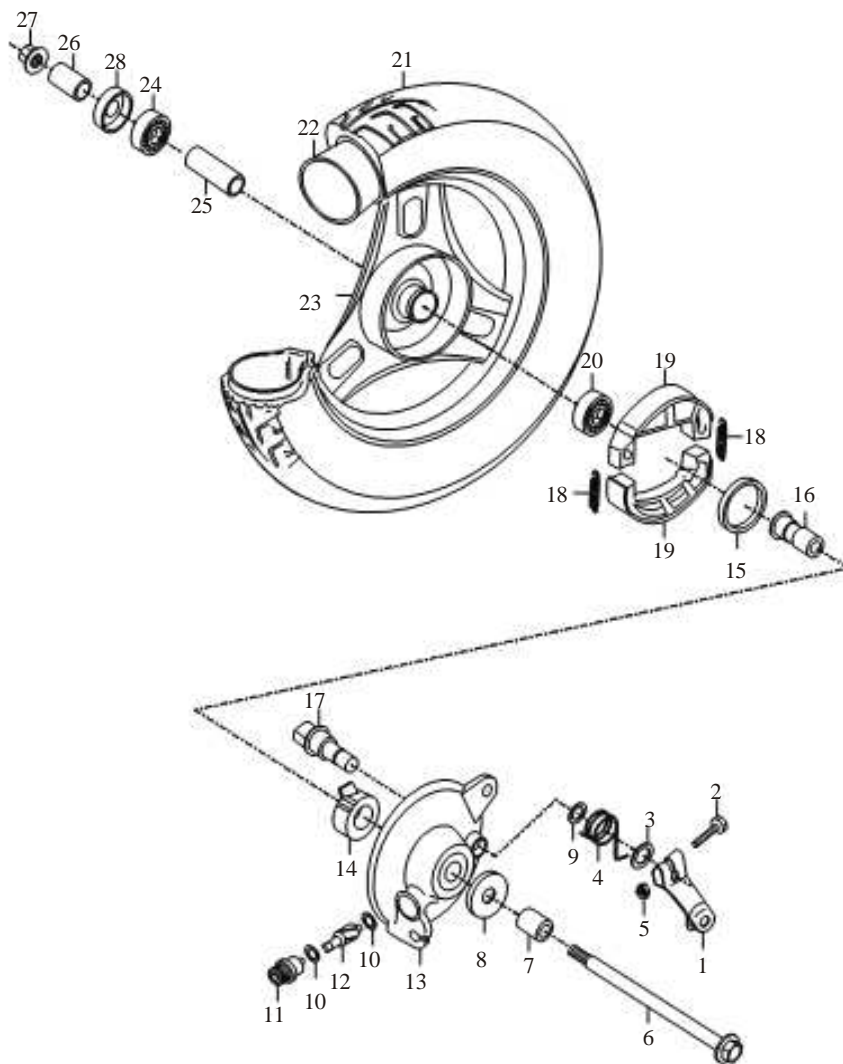
24

FIG.24

ПЕРЕКЛЮЧАТЕЛИ РУЛЕВЫЕ

| Ref.No. | Part No. | Description | Q'ty | Remarks |
|---------|-----------------------------------|-------------------------|------|---------|
| 19 | 37440QACC000 QM50QT-3M.66.2-00 | Winker switch assy | 1 | |
| 20 | 37450QAAC000 QM50QT-3M.66.3-00 | Horn Button assy | 1 | |
| 21 | 37230QACC000 QM50QT-3M.66.4-00 | Lamp switch assy | 1 | |
| 21A | | Lamp switch assy | 1 | |
| 22 | 37220QACC000 QM50QT-3M.66.5-00 | Starter Button assy | 1 | |
| 23 | 58400QACC000 QM50QT-3M.32.8-00 | Cable assy, choke | 1 | |
| 24 | 58300QACC000 QM50QT-3M.32.7-00 | Cable assy, throttle | 1 | |
| 25 | 58500QACC000 QM50QT-3M.32.6-00 | Cable assy, rear brake | 1 | |
| 26 | 43311QACC000 | Rod, rear brake | 1 | |
| 27 | 04411Q120081 GB/T91-2000 | Cotter pin | 1 | |
| 28 | | Clip | 1 | |
| 29 | 03411Q060121 GB/T818-2000 | Screw M6x12 | 2 | |
| 30 | 58100QACC000 QM50QT-3M.32.5-00 | Cable assy, front brake | 1 | |

FIG.25



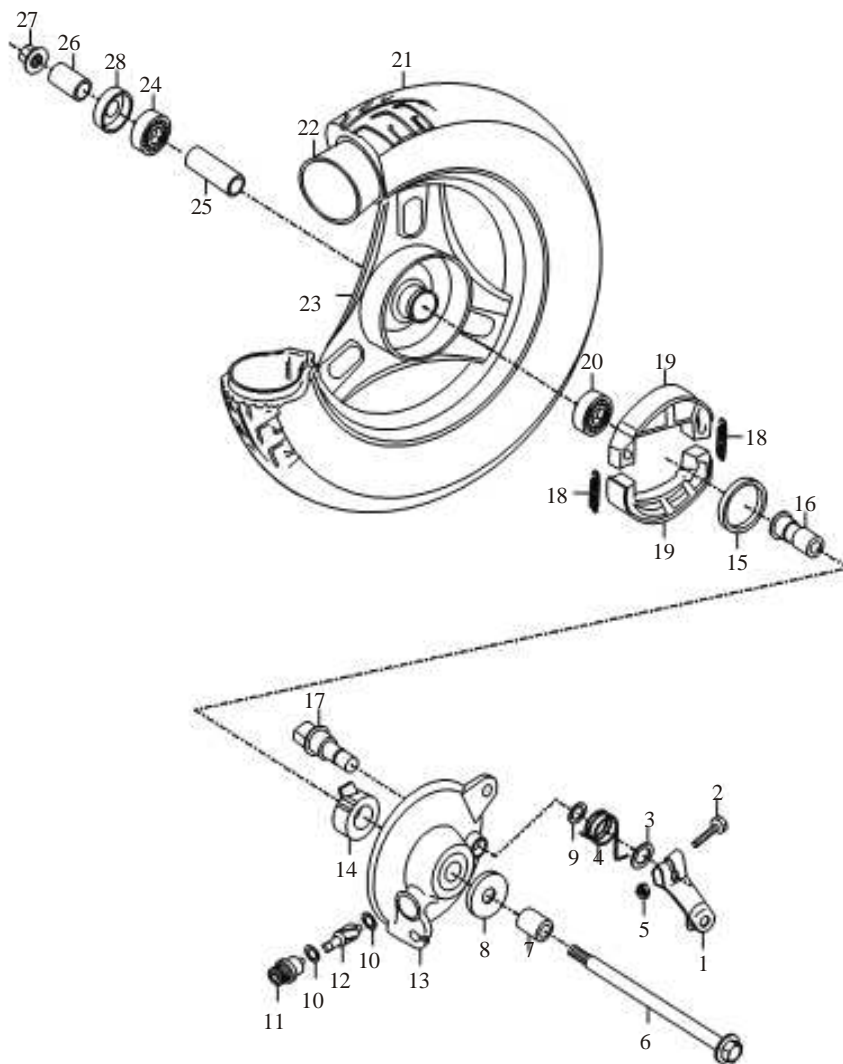
25

FIG.25

ДИСК ПЕРЕДНИЙ

| Ref.No. | Part No. | Description | Q'ty | Remarks |
|---------|---------------------------------|-----------------------------|------|---------|
| 1 | 54451QAFZ000 QM50T-7.33-10 | Lever, front brake cam Bolt | 1 | |
| 2 | 01604Q060254 GB/T5782-2000 | M6x25 | 1 | |
| 3 | 05420Q052061 GB/T96-1985 | Washer 6 | 1 | |
| 4 | 54484QAFZ000 QM50T-7.33-6 | Spring | 1 | |
| 5 | 05411Q012064 GB/T6177.1-2000 | Nut M6 | 1 | |
| 6 | 54711QACC000 QM50QT-3M.33-03 | Axle, front | 1 | |
| 7 | 54225QACC000 QM50QT-3M.33-01 | Spacer | 1 | |
| 8 | 54651QAFZ000 | Cap, dust | 1 | |
| 9 | 09168Q140002 | O-ring | 1 | |
| 10 | 05420Q042051 GB/T848-1985 | Washer 5 | 2 | |
| 11 | 54632QAFZ000 QM50T-7.33-1 | Bush, speed ometer pinion | 1 | |
| 12 | 54621QAFZ000 QM50T-7.33-3 | Pinion speedometer | 1 | |
| 13 | 54210QAFZ000 QM50T-7.33.5-00 | Brake panel assy, front | 1 | |
| 14 | 54611QAFZ000 QM50T-7.33-13 | Gear, speedometer | 1 | |
| 15 | 54221QAFZ000 QM50T-7.33-2 | Spacer, front | 1 | |
| 16 | 09283Q400001 | Oil seal | 1 | |
| 17 | 54441QAFZ000 QM50T-7.33-9 | Cam, front brake | 1 | |
| 18 | 09443Q070002 QM50T-7.33-4 | Spring | 2 | |
| 19 | 54410QAFZ000 QM50T-7.33-3-00 | Brake shoe | 2 | |
| 20 | 05530Q06020T GB 278-89 | Bearing | 1 | |

FIG.25



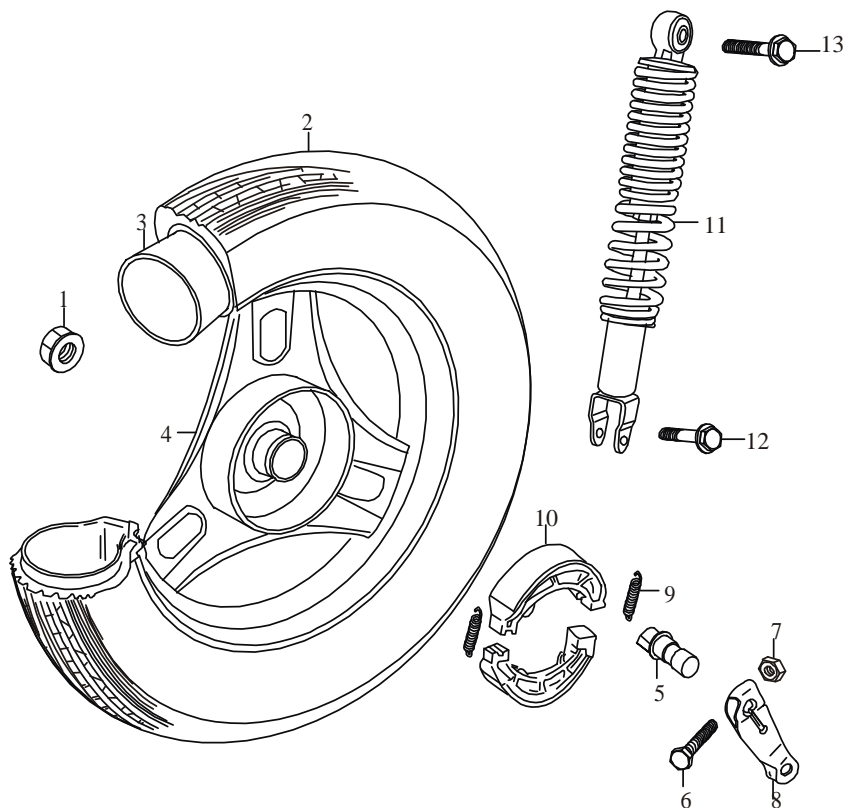
25

FIG.25

ДИСК ПЕРЕДНИЙ

| Ref.No. | Part No. | Description | Q'ty | Remarks |
|---------|--|-----------------------------|------|---------|
| 21 | <u>55110QAFZ000</u> QM50T-7.33.1.1-00 | Tyre, front wheel | 1 | |
| 22 | <u>55200QAFZ000</u> QM50T-7.33.1.2-00 | Inner tube | 1 | |
| 23 | <u>54140QAFZ000</u> QM50T-7.33.2-00 | Wheel, front | 1 | |
| 24 | <u>05530Q060201</u> GB 278-89 | Bearing | 1 | |
| 25 | <u>54731QAFZ000</u> QM50T-7.33.4-02 | Spacer, front wheel bearing | 1 | |
| 26 | <u>54741QACC000</u> QM50QT-3M.33-01 | Spacer, RH, front wheel | 1 | |
| 27 | <u>05409Q091121</u> GB/T6787.1-2000 | Nut M12 | 1 | |
| 28 | <u>54217QAFZ000</u> QM50T-7.33.6-00 | Oil seal | 1 | |

FIG.26



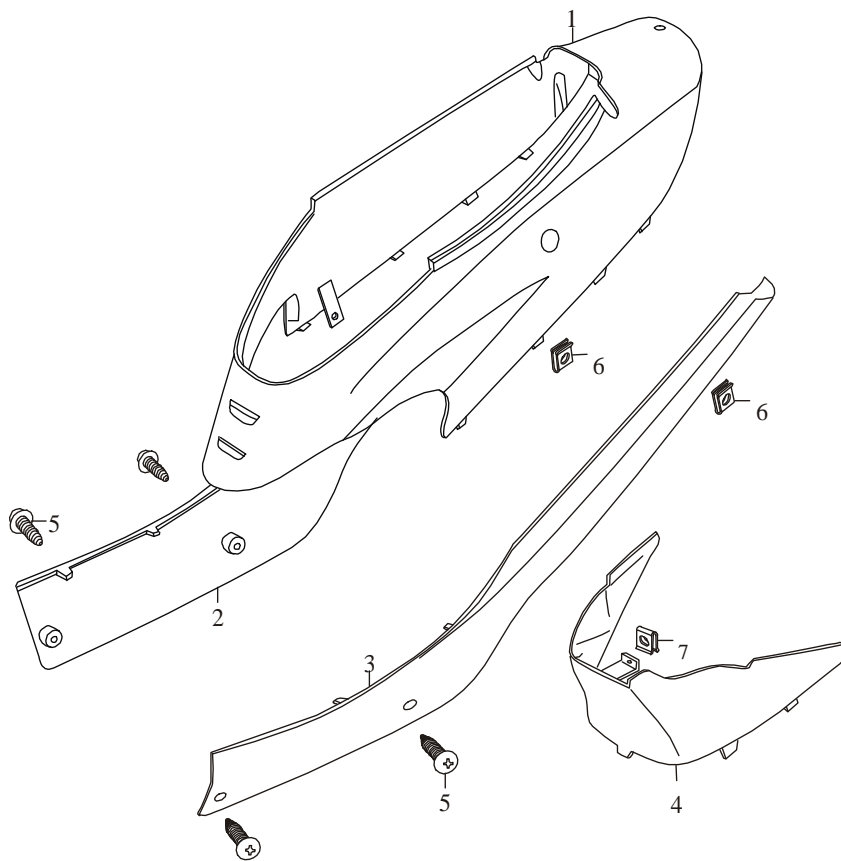
26

FIG.26

ДИСК ЗАДНИЙ

| Ref.No. | Part No. | Description | Q'ty | Remarks |
|---------|--|-------------------|------|---------|
| 1 | <u>054090071161</u> GB/T6186-2000 | Nut M16 | 1 | |
| 2 | <u>55110QAFZ000</u> QM50T-7.34.2-2 | Tyre, rear | 1 | |
| 3 | <u>65200QAFZ000</u> QM50T-7.34.2-2 | Inner tube | 1 | |
| 4 | <u>64140QAFZ000</u> QM50T-7.34.1-00 | Wheel, rear | 1 | |
| 5 | <u>64451QAFZ000</u> QM50QT-7.34-3 | Lever, rear brake | 1 | |
| 6 | <u>01401Q060321</u> GB/T5781-2000 | Bolt M6x32 | 1 | |
| 7 | <u>05401Q012061</u> GB/T6177.1-2000 | Nut M6 | 1 | |
| 8 | <u>64441QAFZ000</u> QM50QT-7.34-1 | Cam, rear brake | 1 | |
| 9 | <u>09443Q070002</u> QM50T-7.33-4 | Spring | 2 | |
| 10 | <u>54410QAFZ000</u> QM50T-7.33.3-00 | Brake shoe | 2 | |
| 11 | <u>62101OACC000</u> QM50QT-3M.35.1-00 | Shock absorber | 2 | |
| 12 | <u>02324Q100351</u> GB5789 | Bolt M10x35 | 1 | |
| 13 | <u>02324Q100401</u> GB5789 | Bolt M10x40 | 1 | |

FIG.27



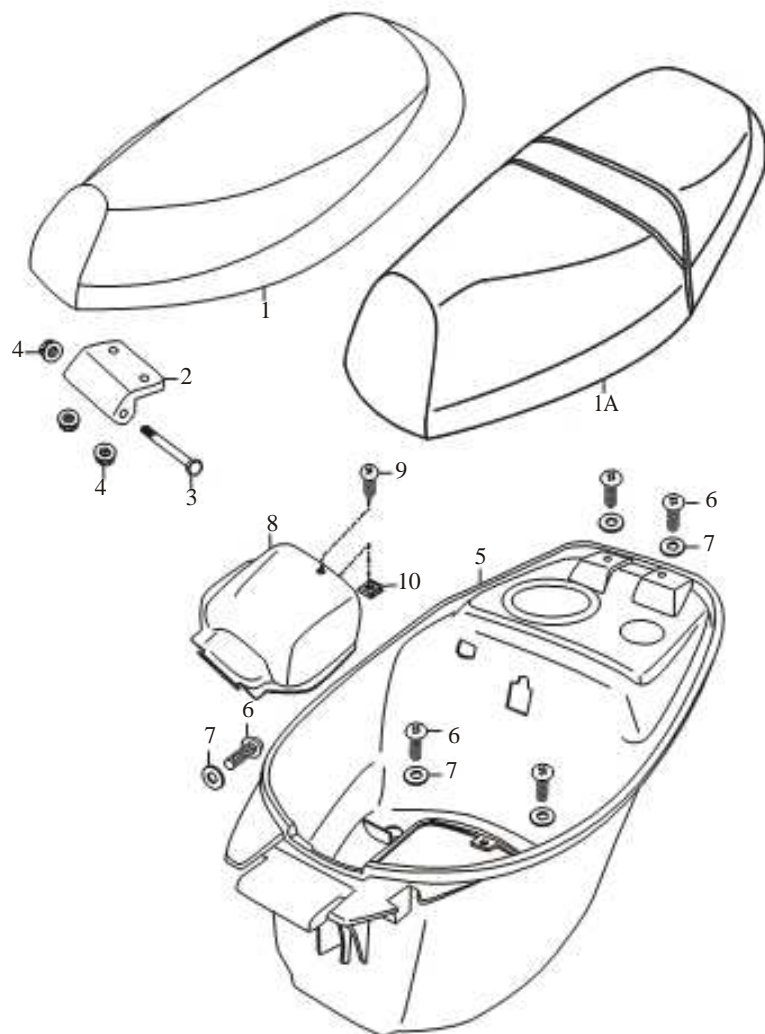
27

FIG.27

ПЛАСТИК РАМЫ

| Ref.No. | Part No. | Description | Q'ty | Remarks |
|---------|--|----------------|------|---------|
| 1 | <u>473110ACC000</u> QM50QT-3M.46-15 | Frame cover | 1 | |
| 2 | <u>471310ACC000</u> QM50QT-3M.46-16 | Side cover, RH | 1 | |
| 3 | <u>472310ACC000</u> QM50QT-3M.46-17 | Side cover, LH | 1 | |
| 4 | <u>481410ACC000</u> QM50QT-3M.46-24 | Cover, center | 1 | |
| 5 | <u>04010Q051602</u> GB/T845-1985 | Screw ST4.8x16 | 4 | |
| 6 | <u>09148Q040001</u> QM50T-7.38-3 | Clip | 2 | |
| 7 | | Nut | 1 | |

FIG.28



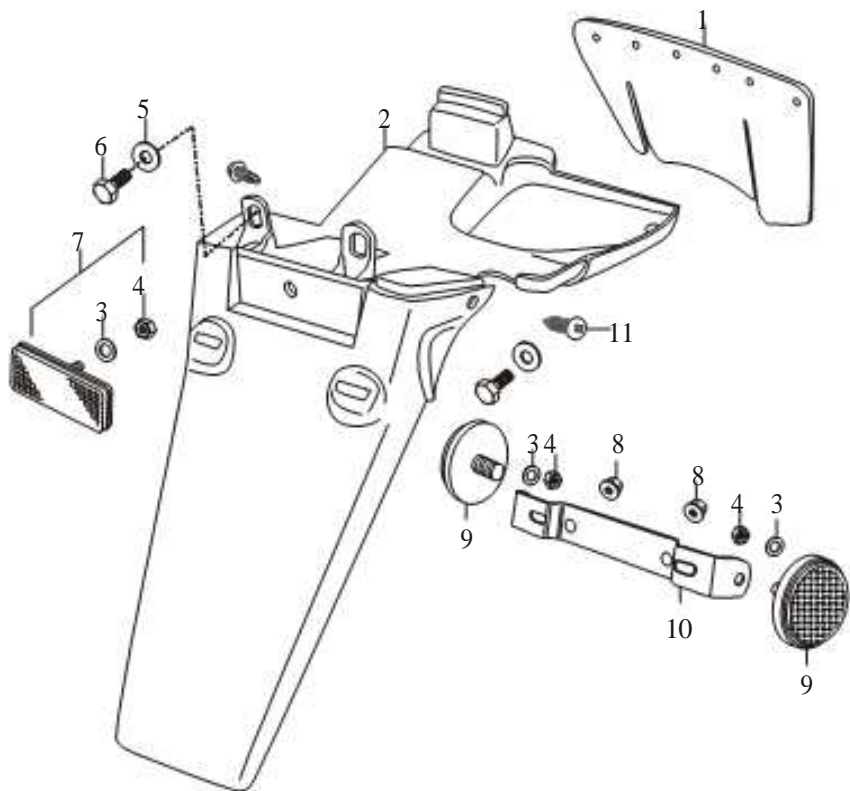
28

FIG.28

СИДУШКА

| Ref.No. | Part No. | Description | Q'ty | Remarks |
|---------|--|-------------------|------|---------|
| 1 | <u>45102QACC000</u> QM50QT-3M.36.1-00 | Seat assy | 1 | |
| 1A | | Seat assy | 1 | |
| 2 | <u>45131QACC000</u> QM50QT-3M.36-01 | Hing comp, seat | 1 | |
| 3 | <u>45212QACC000</u> QM50QT-3M.36.1-05 | Pin | 1 | |
| 4 | <u>05404Q011064</u> GB6177.1-2000 | Nut M6 | 3 | |
| 5 | <u>92211QACC000</u> QM50QT-3M.46-10 | Luggage box | 1 | |
| 6 | <u>03411Q060201</u> GB/T818-2000 | ScrewM6x20 | 5 | |
| 7 | <u>05420Q021061</u> GB/T97.1-1985 | Washer 6 | 5 | |
| 8 | <u>92212QACC000</u> QM50QT-3M.46-11 | Cover, inspection | 1 | |
| 9 | <u>0410Q041302</u> GB/T845-1985 | Screw ST4.2x13 | 1 | |
| 10 | <u>09148Q040001</u> QM50T-7.38-3 | Clip | 1 | |

FIG.29



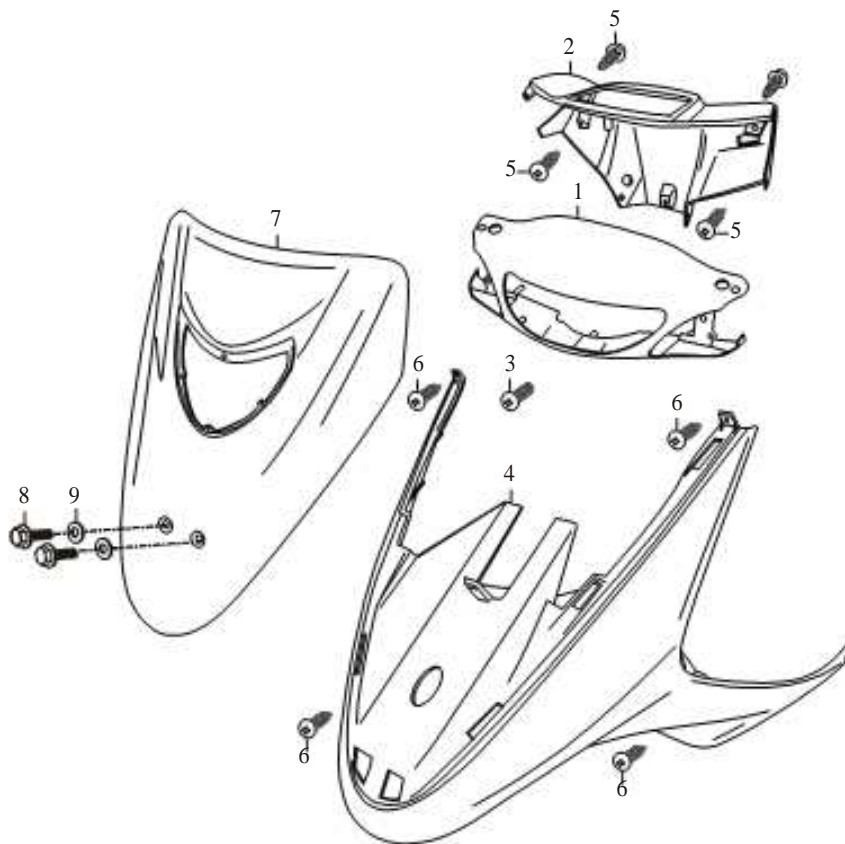
29

FIG.29

БРЫЗГОВИК

| Ref.No. | Part No. | Description | Q'ty | Remarks |
|---------|--|------------------------|------|---------|
| 1 | <u>63411QACC000</u> QM50QT-3M.46-22 | Mudguard | 1 | |
| 2 | <u>63111QACC000</u> QM50QT-3M.38-01 | Rear fender | 1 | |
| 3 | <u>05420Q022054</u> GB /T97.1-85 | Washer 5 | 3 | |
| 4 | <u>05401Q012054</u> GB/T 6170-2000 | Nut M5 | 3 | |
| 5 | <u>05420Q055061</u> GB96-85 | Washer 6 | 2 | |
| 6 | <u>01604Q060161</u> GB/T5783-2000 | Bolt M6x16 | 2 | |
| 7 | <u>35970QACC000</u> QM50QT-3M.74.2-00 | Reflector, rear | 1 | |
| 8 | <u>05404Q011061</u> GB/6177.1-2000 | Nut M6 | 2 | |
| 9 | <u>35950QACC000</u> QM50QT-3M.74.1-00 | Reflector, side | 2 | |
| 10 | <u>96720QAGZ000</u> | Bracket, license plate | 1 | |
| 11 | <u>04010Q051602</u> GB/T845-88 | Screw ST4.8x16 | 2 | |

FIG.30



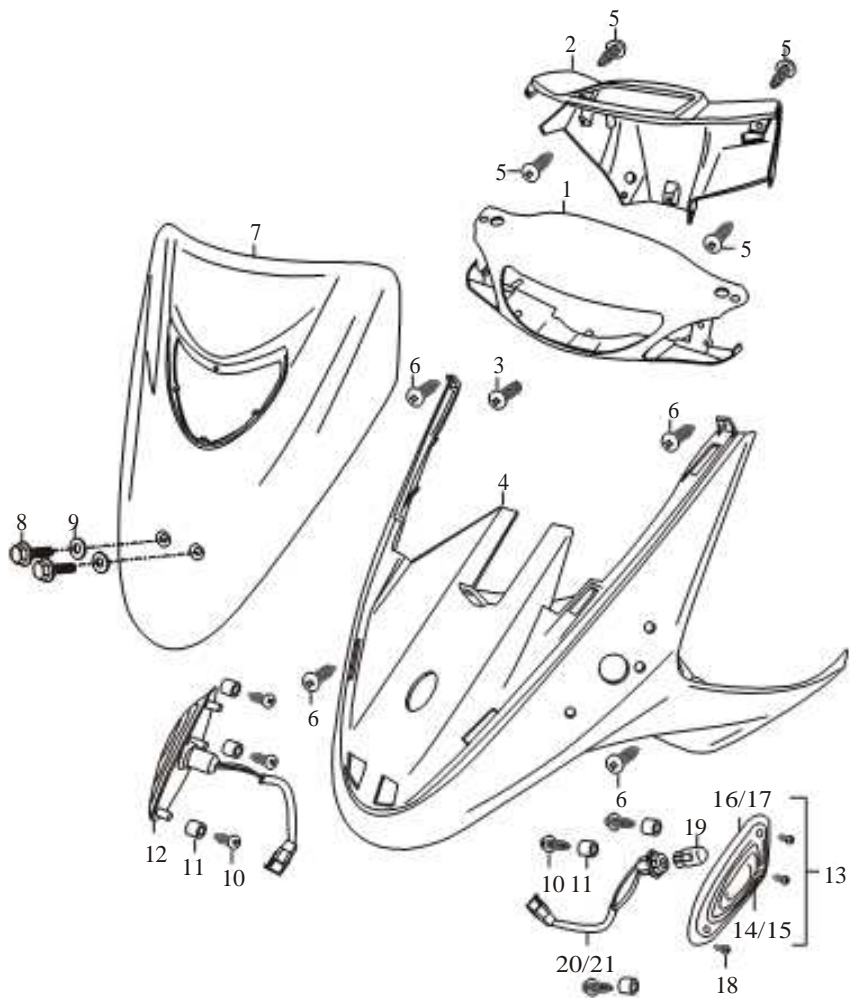
30

FIG.30

ПЕРЕДНИЙ ПЛАСТИК

| Ref.No. | Part No. | Description | Q'ty | Remarks |
|---------|----------------------------------|------------------------|------|---------|
| 1 | 56311QACC00 QM50QT-3M.46-03 | Front cover, handle | 1 | |
| 2 | 56321QACC00 QM50QT-3M.46-04 | Rear cover, handle | 1 | |
| 3 | 03411Q050401 GB/T818 | Screw M5x40 | 1 | |
| 4 | 48137QACC00 QM50QT-3M.46-18 | Leg shield assy, front | 1 | |
| 5 | 04010Q041302 GB/T845-88 | Screw ST4.2x13 | 4 | |
| 6 | 04010Q041602 GB/T845-88 | Screw ST4.2x16 | 4 | |
| 7 | 48111QACC00 QM50QT-3M.46-02 | Front cover | 1 | |
| 8 | 02104Q060161 GB/T16674.1-2004 | Bolt M6x16 | 2 | |
| 9 | 05420Q052061 GB/T96-1985 | Washer 6 | 2 | |

FIG.30A



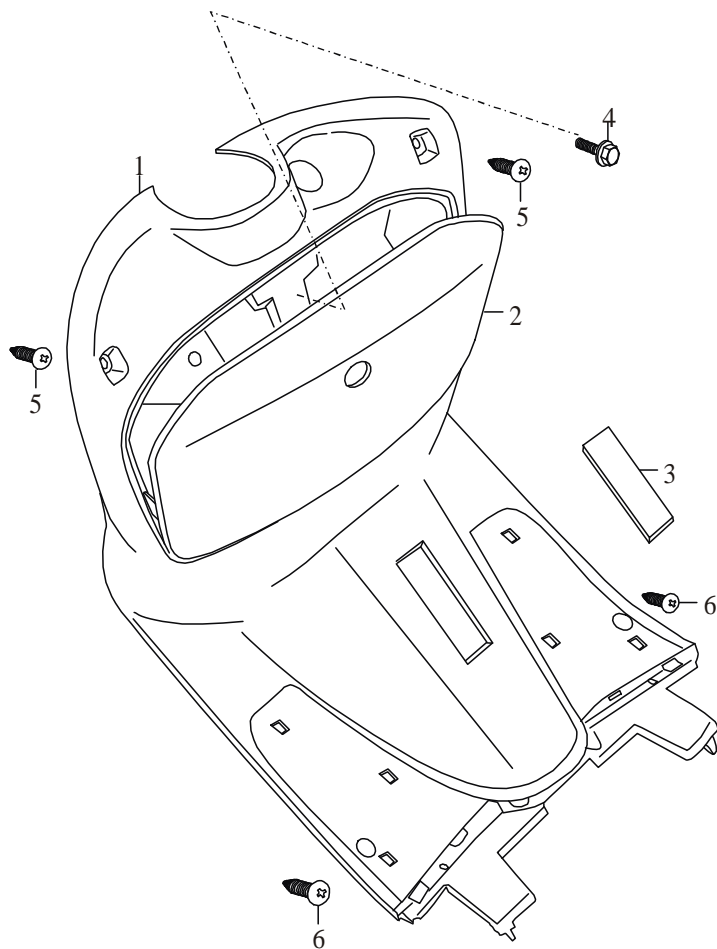
30A

FIG.30A

ПЕРЕДНИЙ ПЛАСТИК

| Ref.No. | Part No. | Description | Q'ty | Remarks |
|---------|----------------------------------|------------------------|------|---------|
| 1 | 56311QACC000 QM50QT-3M.46-03 | Cover, handle front | 1 | |
| 2 | 56321QACC000 QM50QT-3M.46-04 | Cover, handle rear | 1 | |
| 3 | 03411Q050401 GB/T818 | Screw M5x40 | 1 | |
| 4 | 48137QACC010 QM50QT-3M.46-01a | Leg shield assy, front | 1 | |
| 5 | 04010Q041302 GB/T845-88 | Screw ST4.2x13 | 4 | |
| 6 | 04010Q041602 GB/T845-88 | Screw ST4.2x16 | 4 | |
| 7 | 48111QACC000 QM50QT-3M.46-02 | Front cover | 1 | |
| 8 | 02104Q060161 GB/T16674.1-2004 | Bolt M6x16 | 2 | |
| 9 | 05420Q052061 GB/T96-1985 | Washer 6 | 2 | |
| 10 | 04010Q020952 GB/T845-88 | Screw ST2.9x9.5 | 6 | |
| 11 | 35413QACC010 QM50QT-3M(3) | Hold er | 6 | |
| 12 | 35401QACC010 | Auxiliary lamp, RH | 1 | |
| 13 | 35402QACC010 | Auxiliary lamp, LH | 1 | |
| 14 | 35411QACC010 | Lens, RH | 1 | |
| 15 | 35431QACC010 | Lens, LH | 1 | |
| 16 | 35412QACC010 | Body, RH | 1 | |
| 17 | 35432QACC010 | Body, LH | 1 | |
| 18 | 04010Q021002 GB/T845-88 | Screw ST2.9x10 | 6 | |
| 19 | 07110Q011121 | Bulb W5W | 2 | |
| 20 | | Wire assy, RH | 1 | |
| 21 | | Wire assy, LH | 1 | |

FIG.31



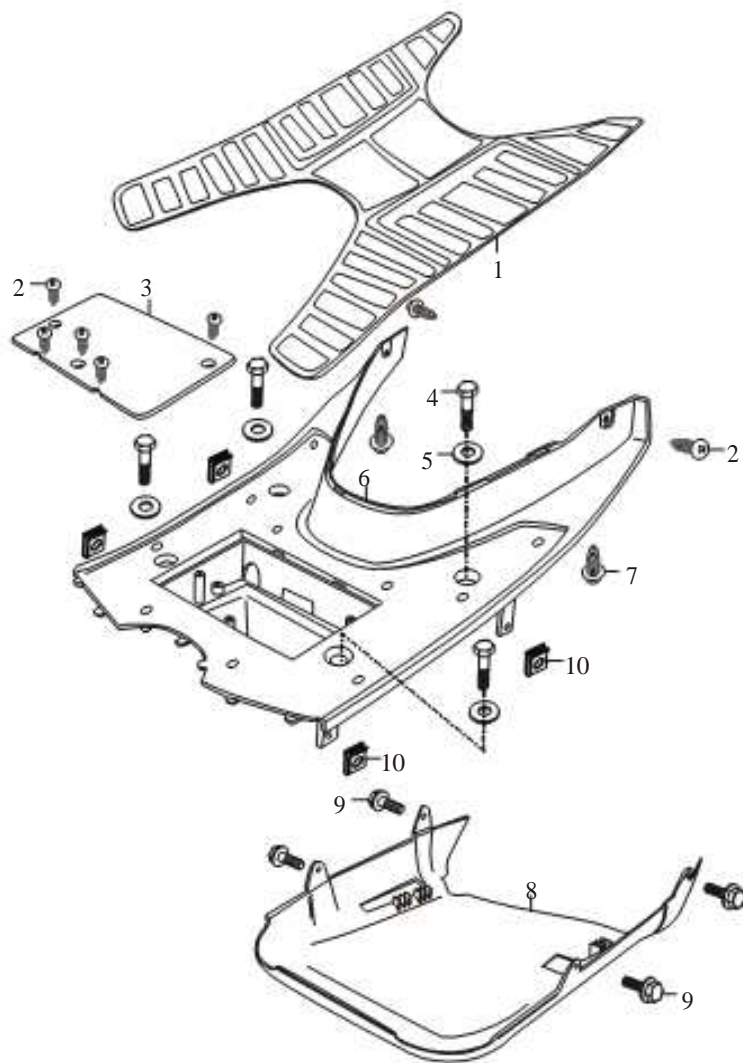
31

FIG.31

КРЫШКА ВНУТРЕННЯЯ

| Ref.No. | Part No. | Description | Q'ty | Remarks |
|---------|--|-----------------------|------|---------|
| 1 | <u>92111OACC000</u> QM50QT-3M.46-04 | Shield inner | 1 | |
| 2 | <u>92112OACC000</u> QM50QT-3M.46-06 | Lid, inner box | 1 | |
| 3 | <u>92121OACC000</u> QM50QT-3M.46-23 | Inspection cover, VIN | 1 | |
| 4 | <u>02104Q060161</u> GB/T16674 | Bolt M6x16 | 1 | |
| 5 | <u>04010Q041302</u> GB/T845-1985 | Screw ST4.2x13 | 2 | |
| 6 | <u>04010Q041602</u> GB/T845-1985 | Screw ST4.2x16 | 2 | |

FIG.32



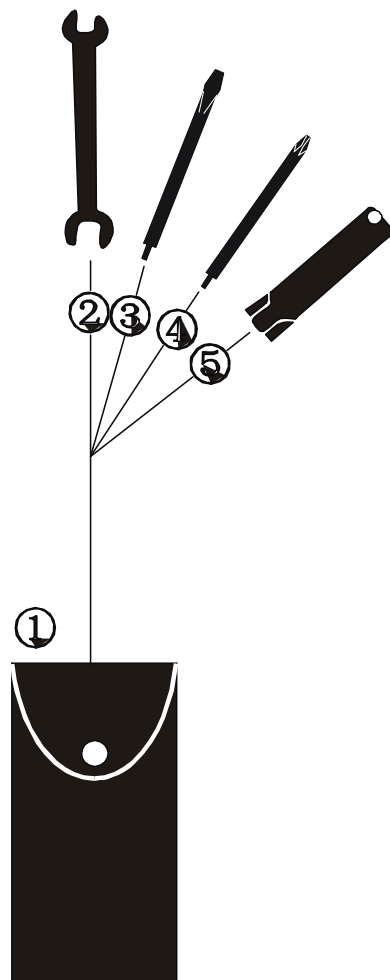
32

FIG.32

ПАНЕЛЬ ПОЛА

| Ref.No. | Part No. | Description | Q'ty | Remarks |
|---------|--|---------------------|------|---------|
| 1 | <u>43551QACC000</u> QM50QT-3M.46-14 | Mat, floor | 1 | |
| 2 | <u>04010Q041302</u> GB/T845-1985 | Screw ST4.2x13 | 7 | |
| 3 | <u>33642QACC000</u> QM50QT-3M.46-13 | Cover, battery case | 1 | |
| 4 | <u>01301Q060601</u> GB/T5780-2000 | Bolt M6x60 | 4 | |
| 5 | <u>05420Q051061</u> GB/T96-1985 | Washer 6 | 4 | |
| 6 | <u>48121QACC000</u> QM50QT-3M.46-12 | Floor panel | 1 | |
| 7 | <u>04010Q051302</u> GB/T845-1985 | Screw ST4.8x16 | 2 | |
| 8 | <u>48127QACC000</u> QM50QT-3M.46-07 | Frame cover | 1 | |
| 9 | <u>02324Q060121</u> GB/T5789-1986 | Bolt M6x12 | 4 | |
| 10 | <u>09148Q040001</u> QM50T-7.38-3 | Clip | 4 | |

FIG.33



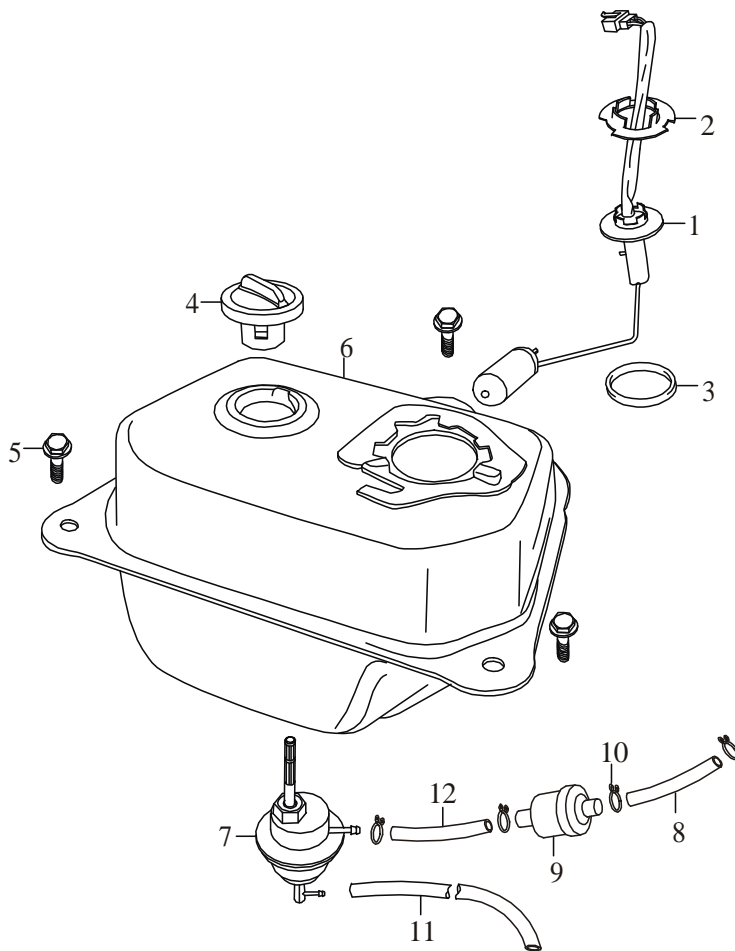
33

FIG.33

ИНСТРУМЕНТ

| Ref.No. | Part No. | Description | Q'ty | Remarks |
|---------|--------------|-------------------|------|---------|
| 1 | 09811Q000002 | Bag, tool | 1 | |
| 2 | 09813Q000004 | Spanner | 1 | |
| 3 | 09814Q000006 | Screwdriver | 1 | |
| 4 | 09814Q000005 | Screwdriver | 1 | |
| 5 | 09816Q000001 | Spark plug wrench | 1 | |

FIG.34



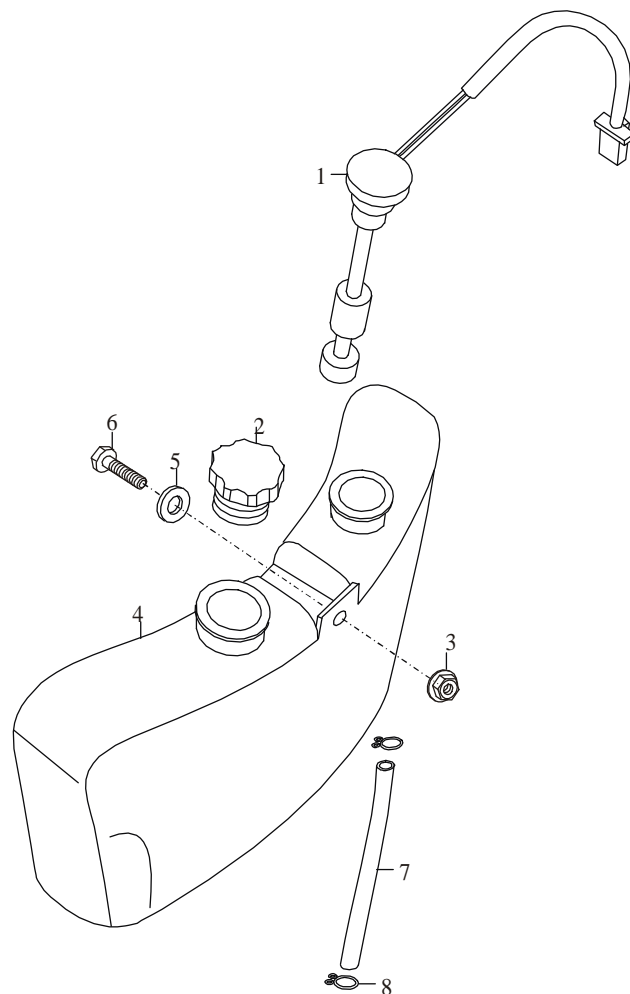
34

FIG.34

БЕНЗОБАК

| Ref No | Part No | Description | Q'ty | Remarks |
|--------|---|-----------------------|------|---------|
| 1 | 34801QACC000 | Gauge assy, fuel tank | 1 | |
| 2 | 44587QACC000 QM50QT-3M.77.1-01 | Bracket, gauge assy | 1 | |
| 3 | 34825QACC000 QM50QT-3M.77.1-06 | Packing, fuel tank | 1 | |
| 4 | 44200QEK4000 QM125T-10D.44.3-00 | Cap, fuel tank | 1 | |
| 5 | 02324Q060121 GB5789-86 | Bolt M6x16 | 3 | |
| 6 | 44110QACC000 QM50QT-3M.44.1-00 | Fuel tank comp | 1 | |
| 7 | 44300QAGZ000 QM50QT-6.44.4-00 | Fuel lock | 1 | |
| 8 | | Fuel hose | 1 | |
| 9 | | Filter, fuel | 1 | |
| 10 | 09401Q084001 GS125.44-5 | Circlip, fuel hose | 4 | |
| 11 | 44425QACC000 QM50QT-3M.44-03 | Hose, vacuum | 1 | |
| 12 | 44424QACC000 QM50QT-3M.44-01 | Hose, outlet | 1 | |

FIG.35



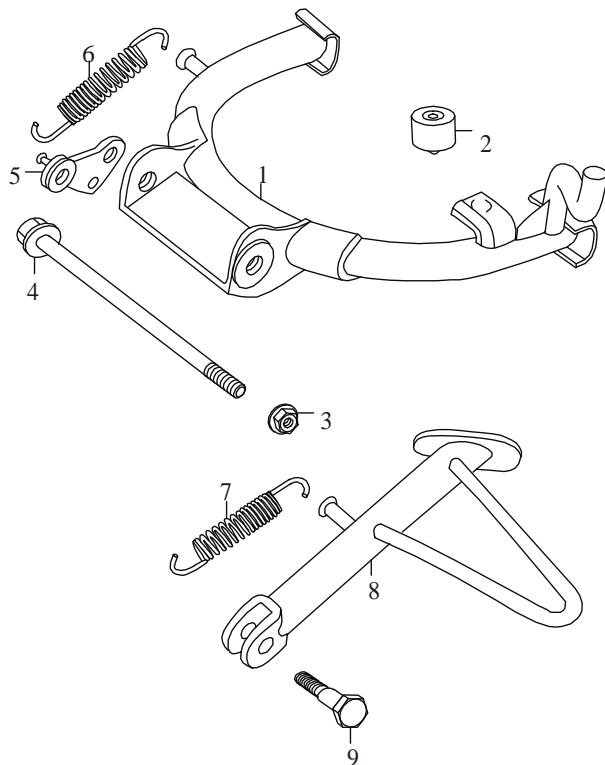
35

FIG.35

МАСЛЯНЫЙ БАК

| Ref.No. | Part No. | Description | Q'ty | Remarks |
|---------|--|----------------------|------|---------|
| 1 | <u>37880QACC000</u> QM50QT-3M.77.2-00 | Gauge assy, oil tank | 1 | |
| 2 | <u>44651QACC000</u> QM50QT-3M.45-02 | Plug, oil tank | 1 | |
| 3 | <u>05404Q011061</u> GB/6177.1-2000 | Nut M6 | 1 | |
| 4 | <u>44611QACC000</u> QM50QT-3M.45-01 | Oil tank | 1 | |
| 5 | <u>05420Q052061</u> GB96-85 | Washer 6 | 1 | |
| 6 | <u>01614Q060121</u> GB5783-86 | Bolt M6x16 | 1 | |
| 7 | | Hose, oil | 1 | |
| 8 | | Circlip | 2 | |

FIG.36



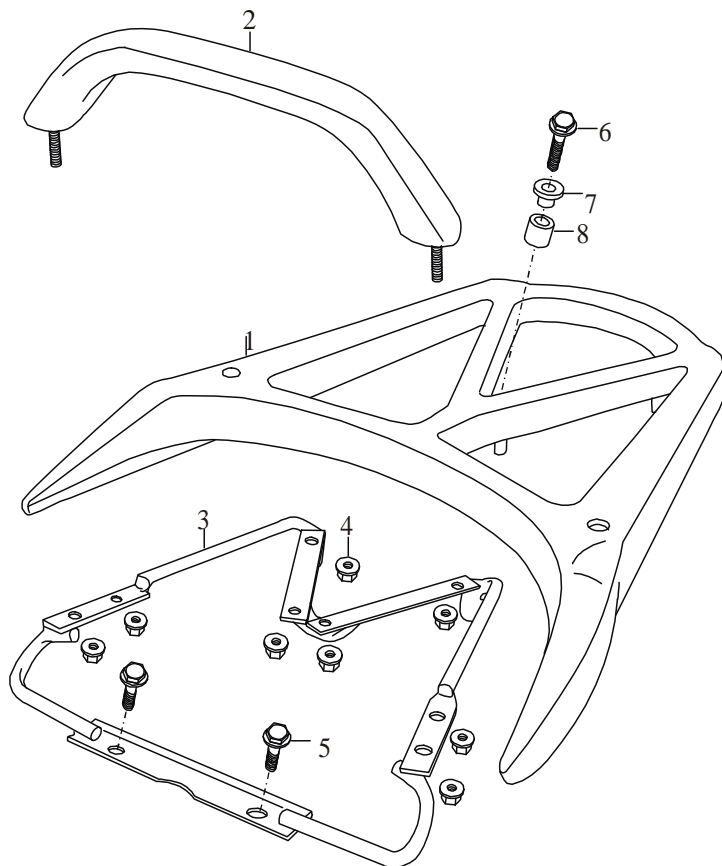
36

FIG.36

ПОДНОЖКИ

| Ref.No. | Part No. | Description | Q'ty | Remarks |
|---------|--|---------------------|------|---------|
| 1 | <u>42110QACZ000</u> QM50QW-3.41.1-00 | Stand, center | 1 | |
| 2 | <u>09321Q100002</u> QM50QW.41-3 | Cushion | 1 | |
| 3 | <u>05409Q081081</u> GB6187.1-2000 | Nut M8 | 1 | |
| 4 | <u>09111Q080004</u> QM50QW.41-2 | Shaft, center stand | 1 | |
| 5 | <u>42270QAAZ000</u> QM50QW.41.2 | Hook spring | 1 | |
| 6 | <u>09443Q190001</u> QM50QW.41-1 | Spring, return | 1 | |
| 7 | <u>09443Q160002</u> QM50QT-3M.81-02 | Spring, side stand | 1 | |
| 8 | <u>42310QACC000</u> QM50QT-3M.81.1-00 | Stand comp side | 1 | |
| 9 | <u>09111Q080006</u> QM50QT-3M.81-01 | Bolt, side stand | 1 | |

FIG.37



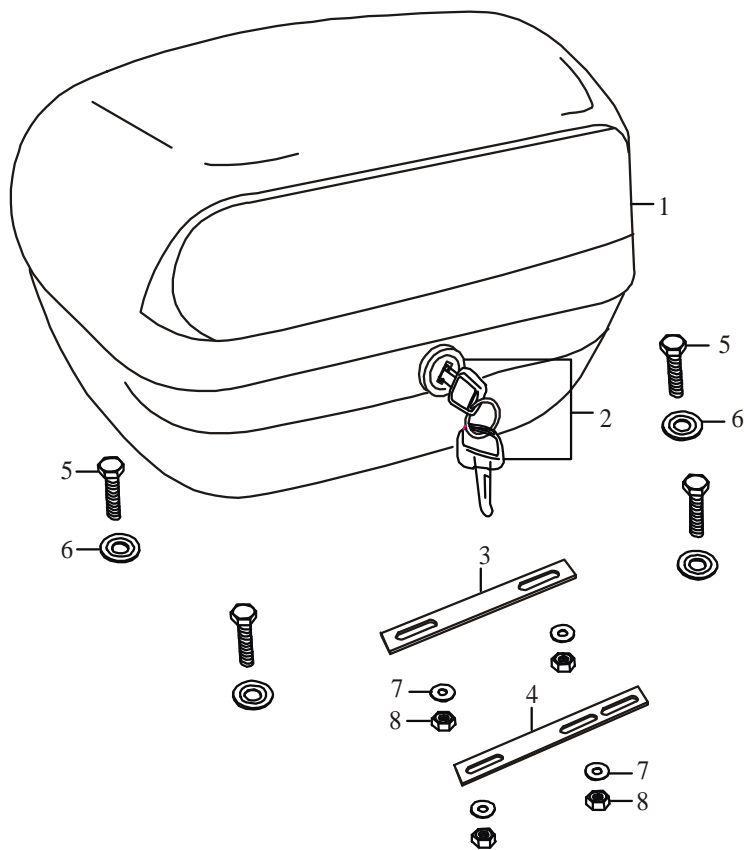
37

FIG.37

БАГАЖНИК

| Ref.No. | Part No. | Description | Q'ty | Remarks |
|---------|--|-----------------------|------|---------|
| 1 | <u>46340QACC000</u> QM50QT-3M.40.1-00 | Cover, rear carrier | 1 | |
| 2 | <u>43980QACC000</u> QM50QT-3M.40.2-00 | Grip, rear | 1 | |
| 3 | <u>46310QACC000</u> QM50QT-3M.40.3-00 | Bracket, rear carrier | 1 | |
| 4 | <u>05409Q081061</u> GB/6187.1-2000 | Nut M6 | 8 | |
| 5 | <u>01631Q060121</u> GB/T9074.17-1988 | Bolt M6x12 | 2 | |
| 6 | <u>02104Q060281</u> GB/T16674.1-2004 | Bolt M6x28 | 1 | |
| 7 | | Bush | 1 | |
| 8 | | Gasket | 1 | |

FIG.38
(Option)

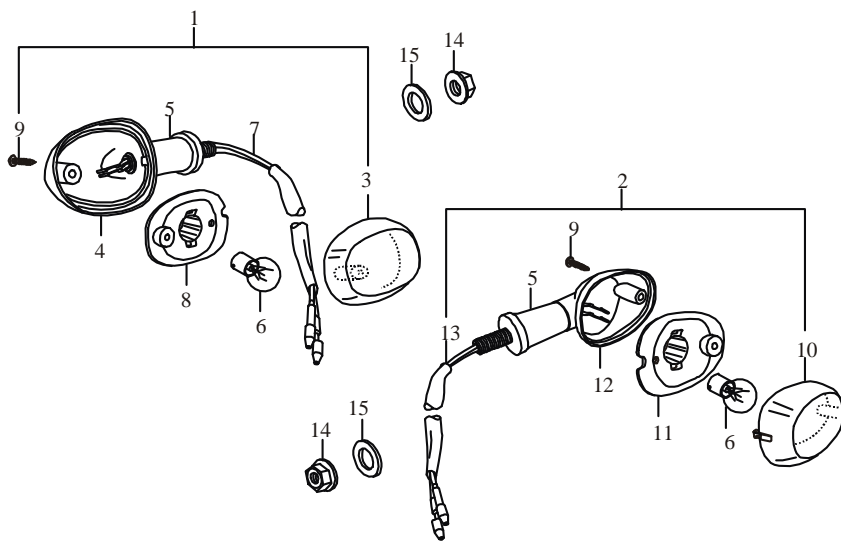


38
FIG.38

КЕЙС

| Ref.No. | Part No. | Description | Q'ty | Remarks |
|---------|---------------------------------|------------------------------------|------|---------|
| 1 | 93100QACC000 | Rear luggage box assy | 1 | |
| 2 | 93301QACC000 | Lock assy, luggage box | 1 | |
| 3 | 93211QACC000 | Installation board I, luggage box | 1 | |
| 4 | 93221QACC000 | Installation board II, luggage box | 1 | |
| 5 | 01601Q060401 GB/T5783-2000 | Bolt M6x40 | 4 | |
| 6 | 93231QACC000 | Washer | 4 | |
| 7 | 05420Q052061 GB/T96-1985 | Washer 6 | 4 | |
| 8 | 05411Q012061 GB/T6177.1-2000 | Nut M6 | 4 | |

FIG.39
(Option)



39

FIG.39

УКАЗАТЕЛИ ПОВОРОТОВ

| Ref.No. | Part No. | Description | Q'ty | Remarks |
|---------|----------|---------------------------|------|---------|
| 1 | | Rear winker, LH | 1 | |
| 2 | | Rear winker, RH | 1 | |
| 3 | | Lens, rear winker LH | 1 | |
| 4 | | Case, rear winker LH | 1 | |
| 5 | | Holder, winker | 2 | |
| 6 | | Bulb 12V21W | 2 | |
| 7 | | Wire assy, rear winker LH | 1 | |
| 8 | | Reflex reflector, LH | 1 | |
| 9 | | Screw | 2 | |
| 10 | | Lens, rear winker RH | 1 | |
| 11 | | Reflex reflector, RH | 1 | |
| 12 | | Case, rear winker RH | 1 | |
| 13 | | Wire assy, rear winker RH | 1 | |
| 14 | | Nut | 2 | |
| 15 | | Washer | 2 | |