



## КАТАЛОГ ЗАПЧАСТЕЙ

**PHOENIX50**

**QM50QT-2**

[www.SkyBike.com.ua](http://www.SkyBike.com.ua)

## **Внимание!**

**Для заказа запчастей необходимо в каталоге найти страницу с изображением интересующей вас детали. В левом верхнем углу написан код рисунка. Номер детали указан возле изображения детали. Например для заказа прокладки глушителя, для модели FORTUNE 50, вы пишете в заявке – "FIG.13 – 8 Прокладка глушителя" (или название на английском из каталога) и необходимое количество. Если группа деталей объединена скобкой, это значит, что детали продаются в комплекте.**

**После того, как вы определились с выбором детали, вы можете сделать заказ, уточнить наличие на складе, цену, позвонив по телефонам указанным на [сайте](#) или отправьте запрос на наш e-mail: [repair@skybike.com.ua](mailto:repair@skybike.com.ua)**

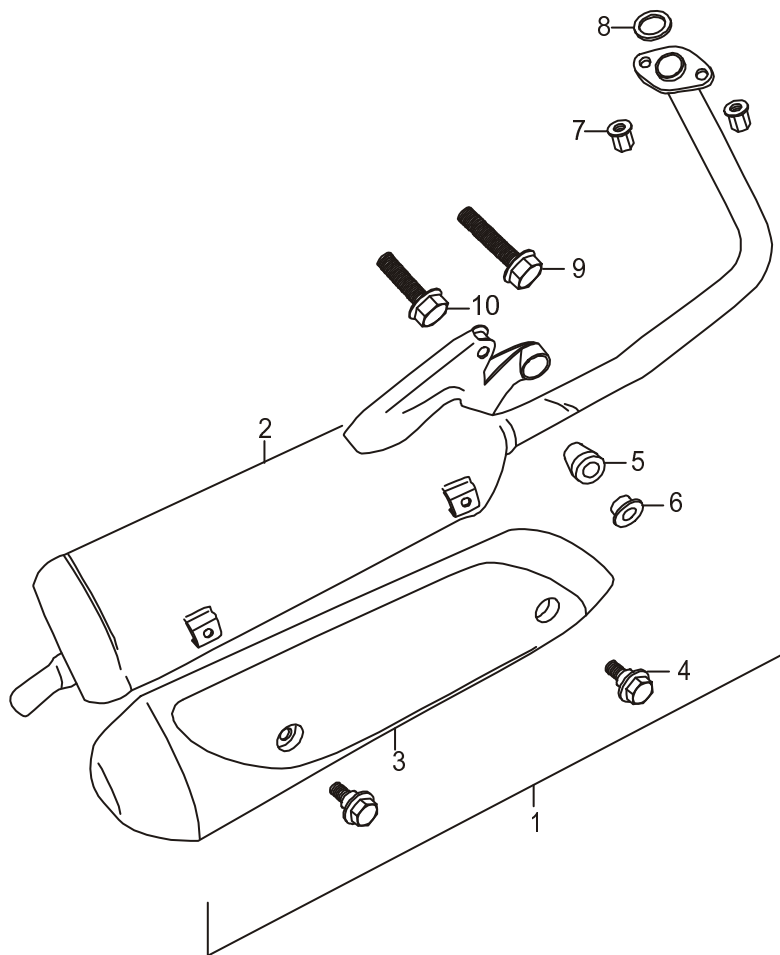
## КАТАЛОГ ЗАПЧАСТЕЙ

Ref. No.		Стр
FIG.11	ГЛУШИТЕЛЬ	1
FIG.11A	ГЛУШИТЕЛЬ	2
FIG.12	ВОЗДУШНЫЙ ФИЛЬТР	3
FIG.13	ПРОВОДКА	4
FIG.14	ЭЛЕКТРИЧЕСКИЕ ЧАСТИ	5
FIG.15	СПИДОМЕТР	6
FIG.16	ФАРА	7
FIG.17	УКАЗАТЕЛИ ПОВОРОТОВ	8
FIG.18	ФОНАРЬ ЗАДНИЙ	9
FIG.19	РУЛЬ	10
FIG.20	ПЕРЕКЛЮЧАТЕЛИ РУЛЕВЫЕ	11
FIG.21	ПЕРЕДНИЙ ТОРМОЗ	13
FIG.22	ПЕРЕДНИЙ ПЛАСТИК	15
FIG.23	ВНУТРЕННИЙ ПЛАСТИК	16
FIG.24	БОКОВОЙ ПЛАСТИК	17
FIG.25	СИДУШКА	18
FIG.26	ПАНЕЛЬ ПОЛА	19
FIG.27	КРЫЛО ПЕРЕДНЕЕ	20
FIG.28	КРЫЛО ЗАДНЕЕ	21
FIG.29	РАМА	22
FIG.30	ПОДНОЖКИ	23
FIG.31	БЕНЗОБАК	24

## КАТАЛОГ ЗАПЧАСТЕЙ

Ref. No.		Стр
FIG.32	ПЕРЕДНЯЯ ВИЛКА	25
FIG.33	АММОТИЗАТОР ЗАДНИЙ / БАГАЖНИК	26
FIG.34	ДИСК ПЕРЕДНИЙ	27
FIG.35	ДИСК ЗАДНИЙ	28
FIG.36	ИНСТРУМЕНТ	29

FIG.11



QM50QT-2

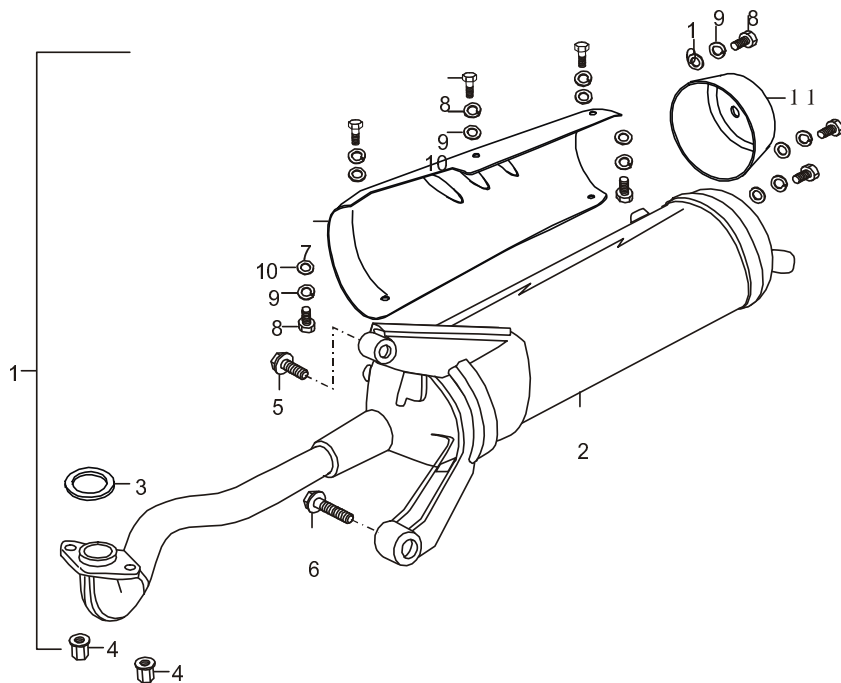
11

FIG.11

ГЛУШИТЕЛЬ

Ref.No.	Part No.	Description	Q'ty	Remarks
1	14300QAGZ000 QM50QT-6.09-00	Exhaust muffler assy	1	
2	14301QAGZ000 QM50QT-6.09.1-00	Exhaust muffler	1	
3	14781QAGZ000 QM50QT-6.09-01	Protector, muffler	1	
4	02104Q060105 GB/T16674.1-2004	Bolt M6x10	2	
5		Cushion	1	
6		Washer	1	
7	14183QAGZ000	Nut M6	2	
8	139QMB.09-02 14181QAGZ000	Gasket, exhaust pipe	1	
9	QM50QT-6.09-03 02314Q080322 GB/T5789-2000	Bolt M8x32	1	
10	02104Q080401 GB/T16674.1-2004	Bolt M8x50	1	

FIG.11A  
( Option )



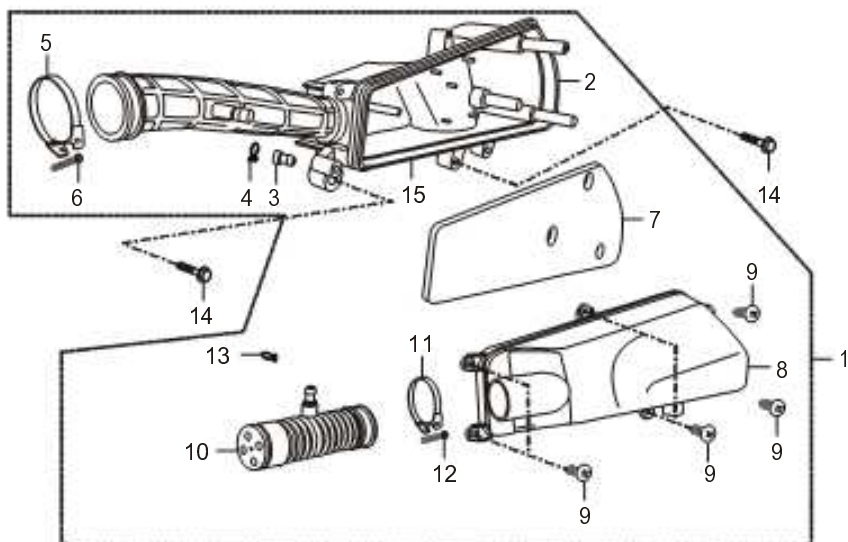
11A  
FIG.11A

ГЛУШИТЕЛЬ

Ref.No.	Part No.	Description	Q'ty	Remarks
1	<u>14300OAGZ130</u> QM50QT-6(VIII A),09-00	Exhaust muffler assy	1	
2	<u>14301OAGZ130</u> QM50QT-6(VIII A),09.1-00	Exhaust muffler	1	
3	<u>14181OAGZ000</u> QM50QT-6.09-02	Gasket, exhaust pipe	1	
4	<u>14183OAGZ000</u> 139QMB.09-02	Nut M6	2	
5	<u>02314Q080322</u> GB/T5789-2000	Bolt M8x32	1	
6	<u>02314Q080502</u> GB/T5789-2000	Bolt M8x50	1	
7	<u>14781OAGZ130</u> QM50QT-6(VIII A),09-01	Protector, muffler	1	
8	<u>02104Q060105</u> GB/T16674.1-2004	Bolt M6x10	8	
9	<u>05421Q011065</u> GB/T93-1987	Washer 6	8	
10	<u>05420Q011065</u> GB/T95-2002	Washer 6	8	
11	<u>14788OAGZ130</u> QM50QT-6(VIII A),09-02	Rear cover	1	

QM50QT-2

FIG.12



12

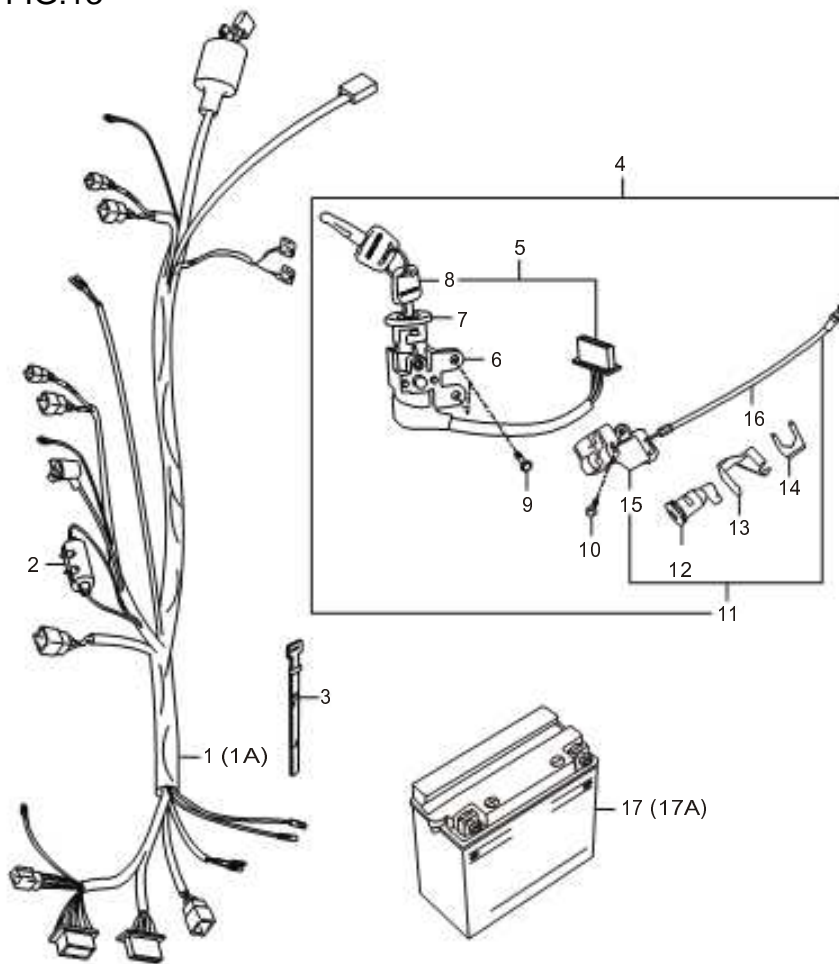
FIG.12

ВОЗДУШНЫЙ ФИЛЬТР

Ref.No.	Part No.	Description	Q'ty	Remarks
1	<u>13700OAGZ000</u> QM50QT-6.11-00	Air cleaner assy	1	
2	<u>13720OAGZ000</u> QM50QT-6.11.1.1-00	Case assy, air cleaner	1	
3	<u>13999OAGZ000</u> QM50QT-6.11.1.4	Plug pipe	1	
4	<u>09401Q114002</u> 139QMB.11-07	Clamp, connecting tube	1	
5	<u>09402Q452003</u> 139QMB.11.3-00	Clamp, connecting tube	1	
6	03411Q050254	Screw M5x25	1	
7	<u>13780OAGZ000</u> QM50QT-6.11.1.2-00	Element, air cleaner	1	
8	<u>13741OAGZ000</u> QM50QT-6.11.1-1	Cover comp, air cleaner	1	
9	<u>04010Q051602</u> GB/T845-1985	Screw ST4.8x16	6	
10		Hose, air cleaner	1	
11	<u>13821OAGZ000</u> 139QMB.11.1.3-1	Clamp, connecting tube	1	
12	<u>03411Q040254</u> GB/T818-2000	Screw M4x25	1	
13	<u>09401Q114002</u> 139QMB.11-07	Clamp, connecting tube	1	
14	<u>01401Q060251</u> GB/T5781-2000	Bolt M6x25	2	
15	<u>13746OAGZ000</u> 139QMB.11-03	Gasket	1	

QM50QT-2

FIG.13



QM50QT-2

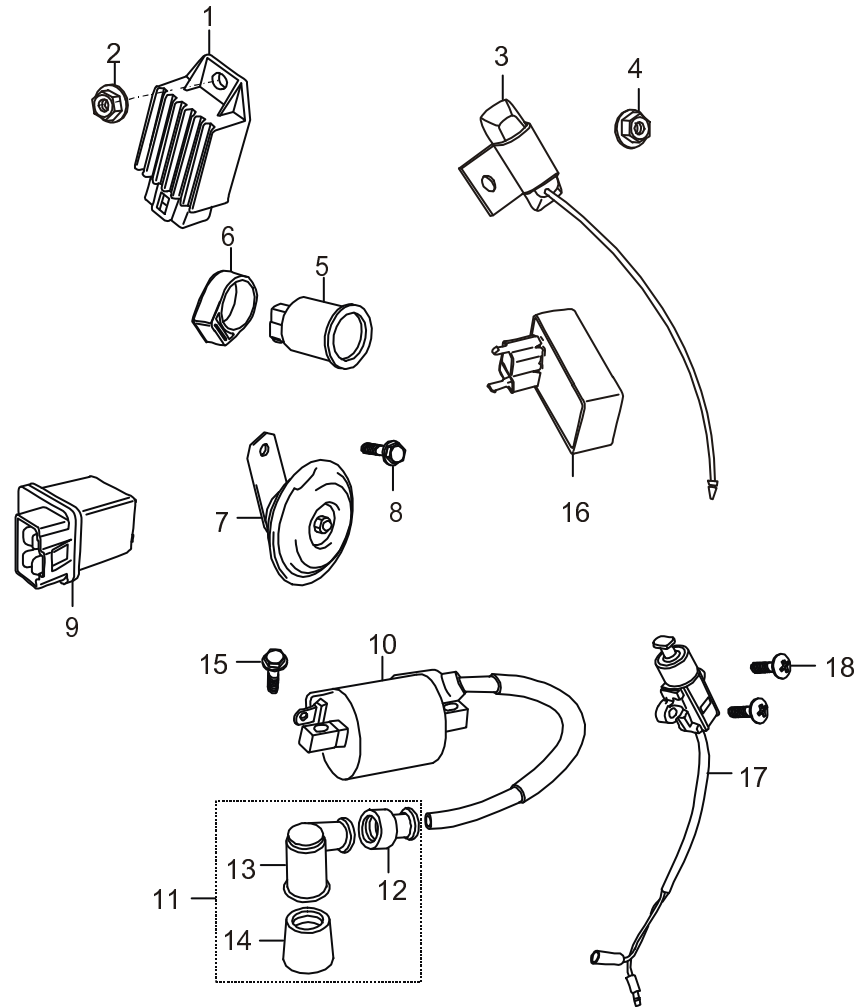
13

FIG.13

ПРОВОДКА

Ref.No.	Part No.	Description	Q'ty	Remarks
1	<u>36610QABZ000</u> QM50QT-2.67-00	Wiring harness	1	
1A	<u>36610QABZ010</u> QM50QT-2(1).67-00	Wiring harness	1	
2	36710QAGZ000	Fuse 15A	2	
3	09407Q204001	Clamp	5	
4	<u>37100QAGZ000</u> QM50QT-6.65-00	Lock assy	1	
5	<u>37100QAGZ000</u> QM50QT-6.65.1-00	Ignition switch assy	1	
6	<u>37101QAGZ000</u> QM50QT-6.65.1.1-00	Ignition switch	1	
7	<u>37155QAGZ000</u> QM50QT-6.65.1.1-01	Cap, switch	1	
8	<u>37158QAGZ000</u> QM50QT-6.65.1-01	Key	2	
9	<u>02104Q060122</u> GB/T16674.1-2004	Bolt M6x12	2	
10	<u>02104Q060162</u> GB/T16674.1-2004	Bolt M6x16	2	
11	<u>45700QAGZ000</u> QM50QT-6.65.2-00	Lock set, seat	1	
12	<u>45801QAGZ000</u> QM50QT-6.65.2.2-00	Lock set, seat	1	
13	<u>45851QAGZ000</u> QM50QT-6.65.2-01	Holder, seat lock	1	
14	<u>45861QAA7000</u> QM50QT-E.84.1-2	Piece, holder	1	
15	<u>45701QAGZ000</u> QM50QT-6.65.2.1-00	Hooked lock, seat	1	
16	<u>45280QAGZ000</u> QM50QT-6.65.2.1.2-00	Wire assy	1	
17	<u>33601QABZ000</u> QM50QT-2.60-00	Battery 12V6.5Ah	1	
17A	<u>33601QDAZ000</u> QM100T.60-00	Battery 12V 4Ah	1	

FIG.14



QM50QT-2

14

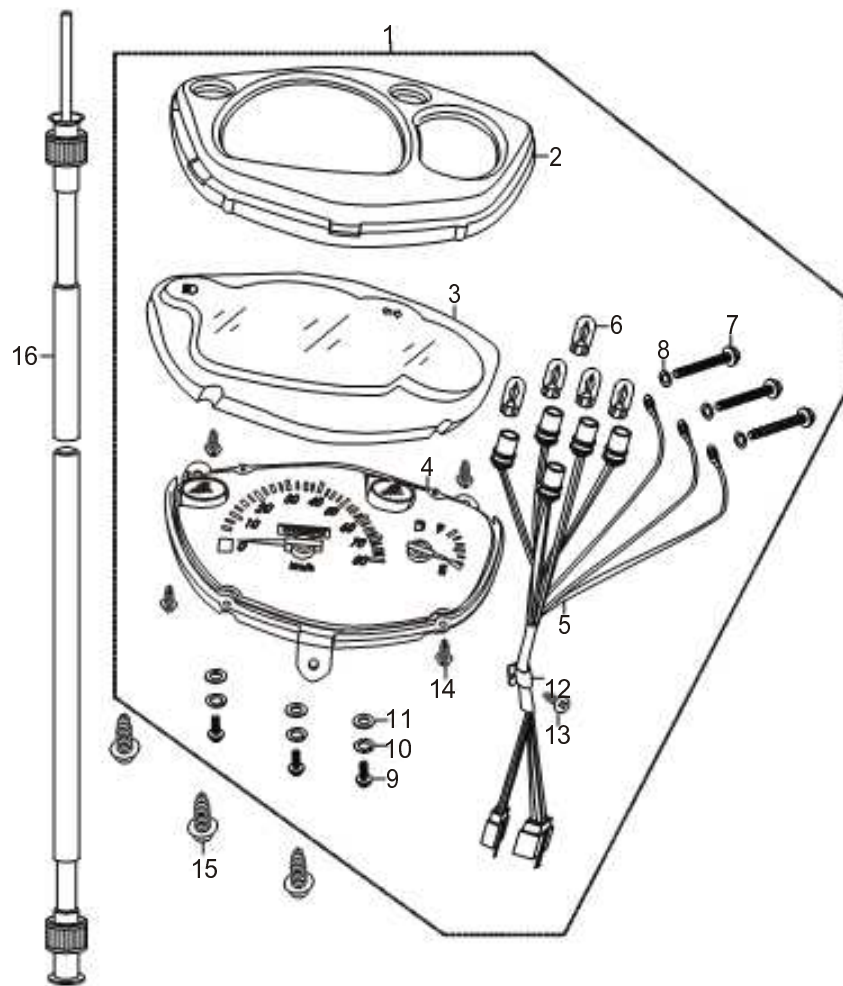
FIG.14

ЭЛЕКТРИЧЕСКИЕ ЧАСТИ

Ref.No.	Part No.	Description	Q'ty	Remarks
1	<del>32801OAGZ000</del> QM50QT-6.71-00	Regulator. rec. comp	1	
2	<del>05404Q012062</del> GB/T6177.1-2000	Nut M6	1	
3	<del>36502QEA2000</del> QM125T-B.76-00	Resistor	1	
4	<del>05404Q012062</del> GB/T6177.1-2000	Nut M6	1	
5	<del>38601QEA7000</del> QM125T-G.72.1-00	Flasher assy	1	
6	<del>38628QAGZ000</del> QM50QT-6.72-01	Seal	1	
7	<del>38501QAA2000</del> QM50QT-B.63-00	Horn assy	1	
8	<del>02104Q060162</del> GB/T16674.1-2004	Screw M6x16	1	
9	<del>31801QAFZ000</del> QM50T-7.73.1-00	Relay, starting	1	
10	33410QAGZ000	motor Ignition coil	1	
11		Adapter, hightension	1	
12	* 33542QAGZ000	Cap, terminal	1	
13	* 33510QAGZ000	Cap, spark plug	1	
14	* 33543QAGZ000	Seal, spark plug	1	
15	<del>02104Q060162</del> GB/T16674.1-2004	Bolt M6x16	2	
16	<del>32901QEA2000</del> P152QML07.3-00	Unit CDI	1	
16A		Unit CDI	1	
17	<del>37803OEDZ000</del> QM125T-4.91-00	Stop switch	1	
18	<del>03411Q050203</del> GB/T818-2000	Screw M5x20	2	



FIG.15



QM50QT-2

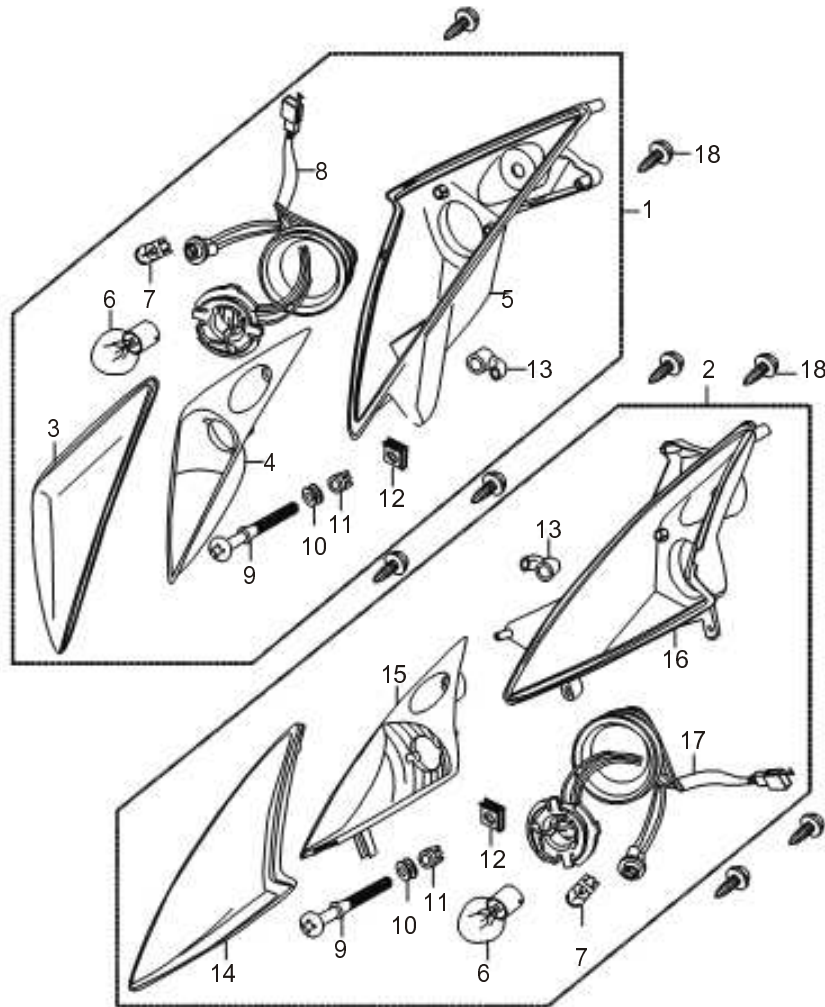
15

FIG.15

СПИДОМЕТР

Ref.No.	Part No.	Description	Q'ty	Remarks
1	<u>34100QABZ000</u> QM50QT-2.64-00	Speedometer assy	1	
2		Cover	1	
3		Lens	1	
4		Body	1	
5		Wiring harness, speedometer	1	
6	07112Q010101	Bulb 12V2W	5	
7		Screw	3	
8		Washer	3	
9		Screw	3	
10		Washer	3	
11		Washer	3	
12		Clip	1	
13		Screw	1	
14		Screw	4	
15	<u>04010Q041302</u> GB/T845-85	Screw ST4.2x13	3	
16		Cable assy, speedometer	1	

FIG.16



QM50QT-2

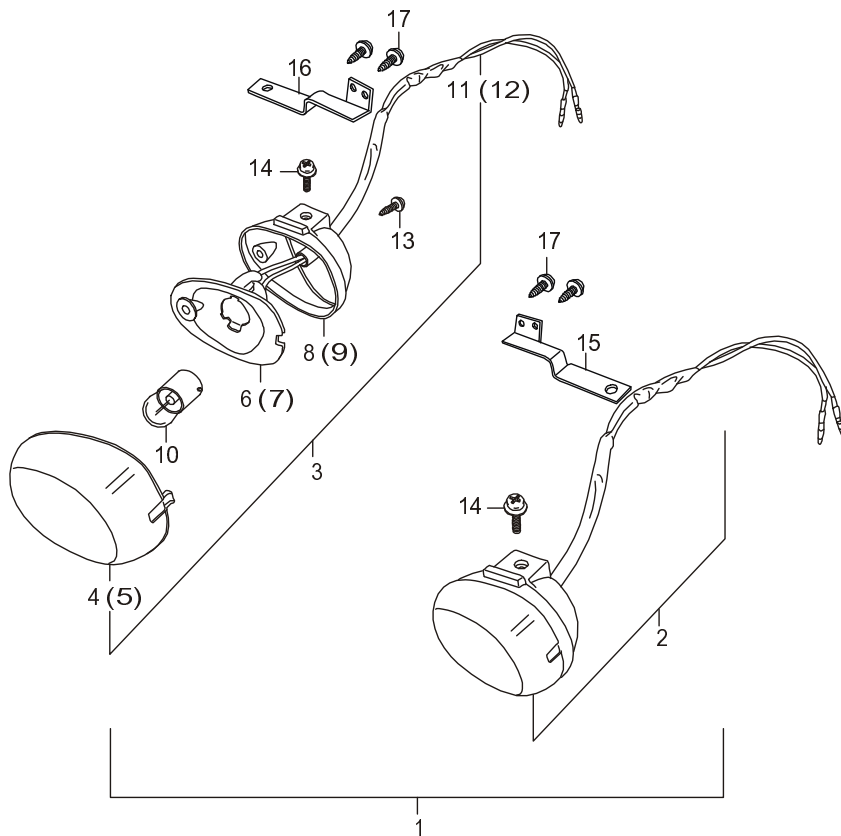
16

FIG.16

ΦΑΡΑ

Ref.No.	Part No.	Description	Q'ty	Remarks
1		Headlamp assy RH	1	
2		Headlamp assy LH	1	
3		Lens, headlamp RH	1	
4		Reflector, RH	1	
5		Body, headlamp RH	1	
6	07110Q003121	Bulb HS1 12V35W/35W	2	
7		Bulb, position	2	
8		Wire assy, light RH	1	
9		Adjust screw	2	
10		Seal	2	
11		Clip	2	
12		Clip	2	
13		Rubber	2	
14		Lens, headlamp LH	1	
15		Reflector, LH	1	
16		Body, headlamp LH	1	
17		Wire assy, light LH	1	
18	04010Q0411602 GB845-85	Screw ST4.2x13	8	

FIG.17



QM50QT-2

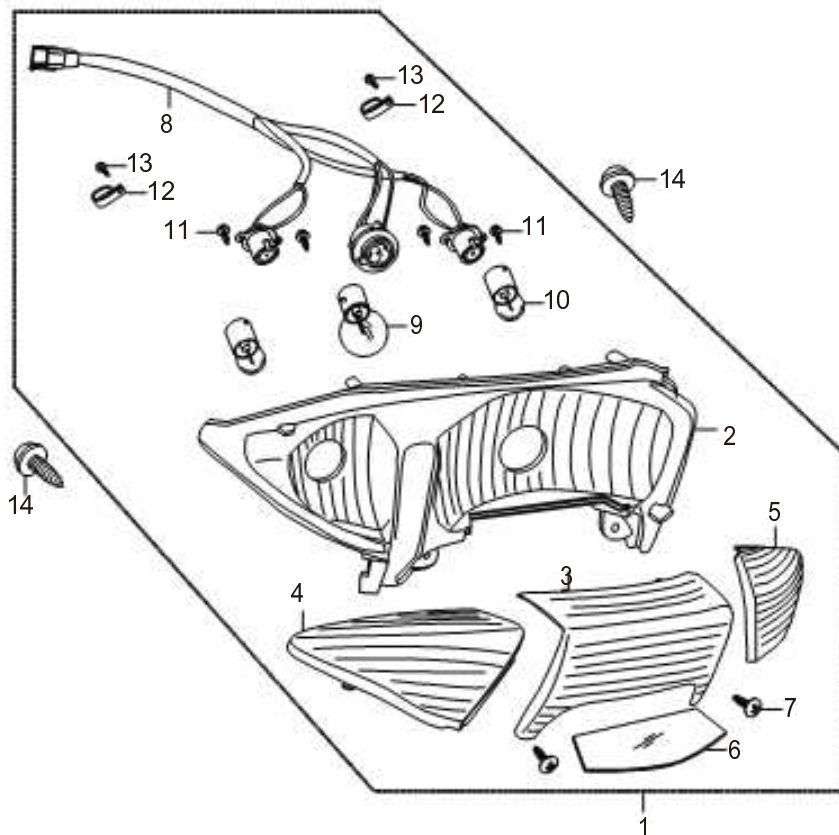
17

FIG.17

УКАЗАТЕЛИ ПОВОРОТОВ

Ref.No.	Part No.	Description	Q'ty	Remarks
1	QM125T-10E.69-00	Front winker assy	1	
2	<u>35601QEK5000</u> QM125T-10E.69.1-00	Front winker assy, LH	1	
3	<u>35602QEK5000</u> QM125T-10E.69.2-00	Front winker assy RH	1	
4		Lens, front winker LH	1	
5		Lens, front winker RH	1	
6	*	Socket assy, front winker LH	1	
7	*	Socket assy, front winker RH	1	
8		Body, front winker LH	1	
9		Body, front winker RH	1	
10		Bulb	2	
11		Wire assy, front winker LH	1	
12		Wire assy, front winker RH	1	
13		Screw M5x12	2	
14	<u>03411Q050122</u> GB/T818-2000	Screw M5x12	2	
15		Bracket, front winker RH	1	
16		Bracket, front winker LH	1	
17	<u>04010Q041302</u> GB845-85	Screw ST4.2x13	4	

FIG.18



18

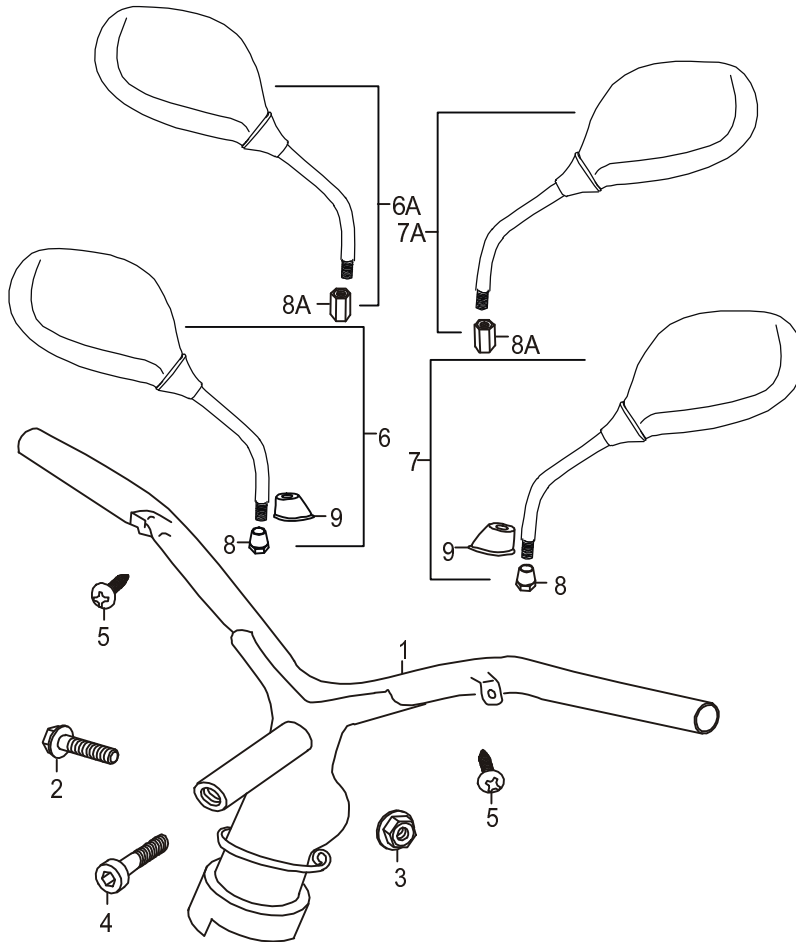
FIG.18

ФОНАРЬ ЗАДНИЙ

Ref.No.	Part No.	Description	Q'ty	Remarks
1	<u>35700QABZ000</u> QM50QT-2.62.3-00	Tail lamp assy	1	
2		Body, tail lamp	1	
3		Lens, tail lamp	1	
4		Lens, rear winker, LH	1	
5		Lens, rear winker, RH	1	
6		Lens, license plate lamp	1	
7		Screw, tapping	2	
8		Wire assy, tail lamp	1	
9	07110Q007121	Bulb, tail lamp	2	
10	07110Q009121	Bulb, rear winker R10W	2	
11		Screw	4	
12		Clip	2	
13		Screw	2	
14	<u>04010Q041302</u> GB845-85	Screw ST4.2x13	4	

QM50QT-2

FIG.19



QM50QT-2

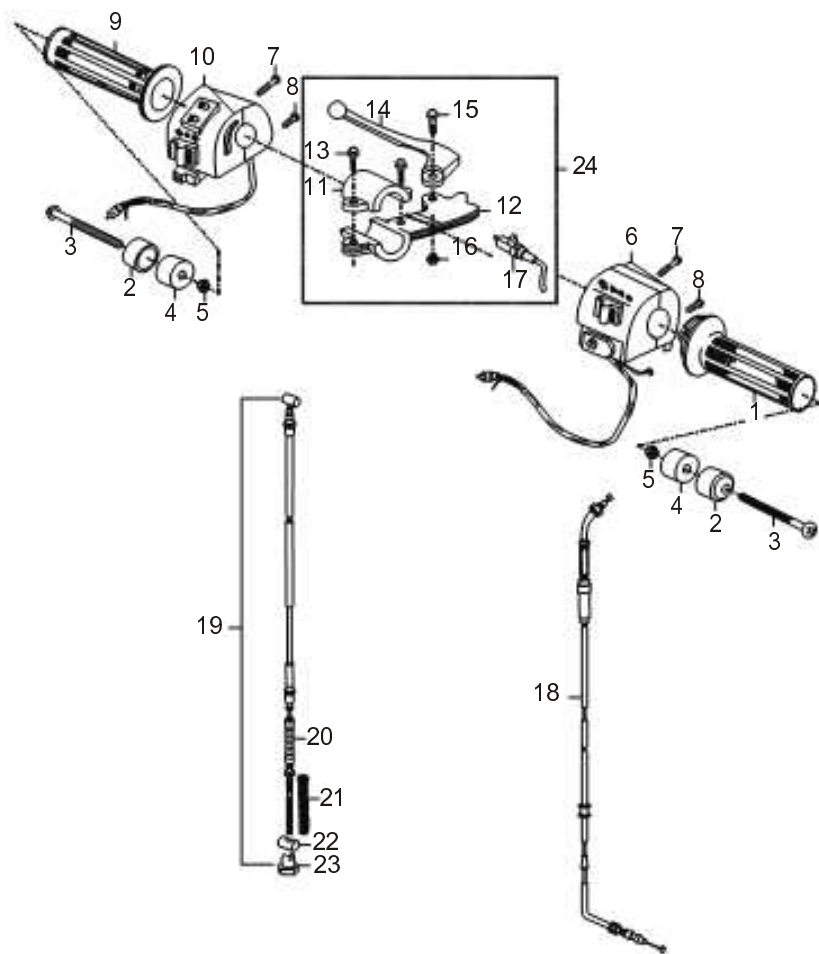
19

FIG.19

PVJlb

Ref.No.	Part No.	Description	Q'ty	Remarks
1	<u>561100ABZ000</u> QM50QT-2.32.1-00	Handlebar assy	1	
2	<u>02104Q100451</u> GB/T16674.1-2004	Bolt M10x1.25x45	1	
3	<u>05409Q091101</u> GB/T6187.2-2000	Nut M10x1.25	1	
4	<u>03631Q008404</u> GB/T2673-1986	Screw M8x40	1	
5	<u>04010Q041302</u> GB/T845-1985	Screw ST4.2x13	2	
6		Mirror assy., RH	1	
6A	<del>565100AC5030</del> QM50QT-6(III).32.1-00	Mirror assy., RH	1	
7		Mirror assy., LH	1	
7A	<u>566100AC5030</u> QM50QT-6(III).32.2-00	Mirror assy., LH	1	
8	*	Nut	2	
8A	*	Nut	2	
9		Rubber grommet	2	

FIG.20



QM50QT-2

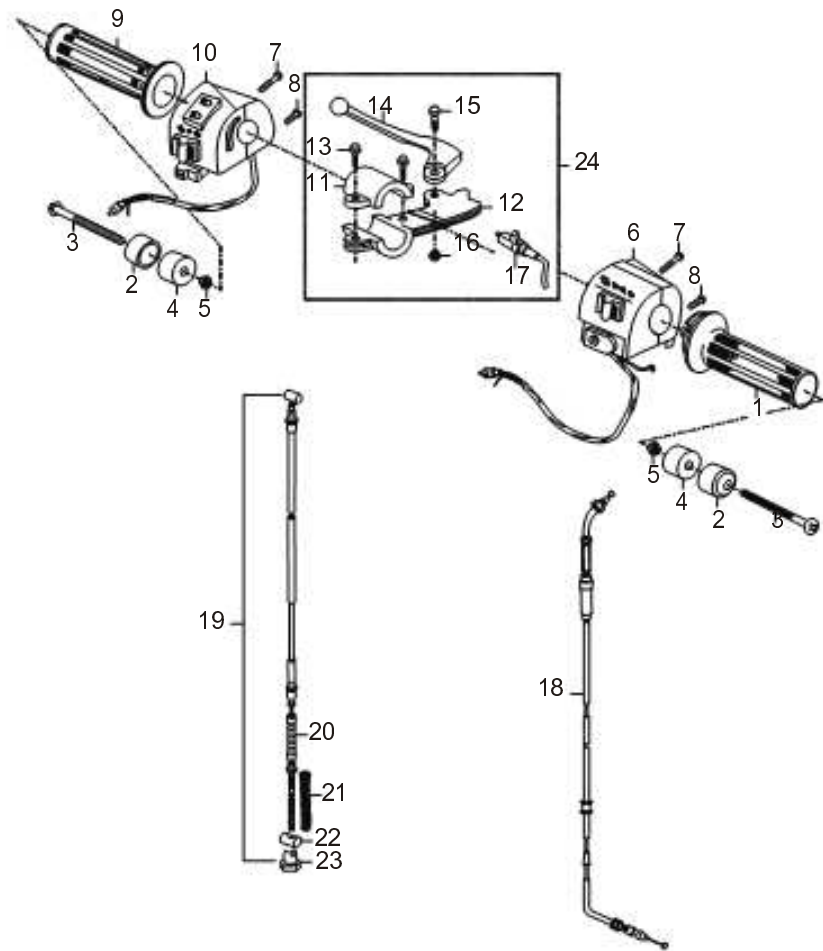
20

FIG.20

ПЕРЕКЛЮЧАТЕЛИ РУЛЕВЫЕ

Ref.No.	Part No.	Description	Q'ty	Remarks
1	<u>57110QKMZ000</u> QM100-12.32.4.-00	Grip, throttle	1	
2		Balancer, handlebar	2	
3		Screw	2	
4		Rubber plug	2	
5	<u>05403Q011061</u> GB/T6172.1-2000	Nut M6	2	
6	<u>37200QAGZ060</u> QM50QT-6(VI).66.2-00	Handle switch assy. RH	1	
7	<u>03411Q050253</u> GB/T818-2000	Screw M5x25	2	
8	<u>03411Q050163</u> GB/T818-2000	Screw M5x16	2	
9	<u>57211QKMZ000</u> QM100-12.32-1	Grip, left	1	
10	<u>37400QAGZ060</u> QM50QT-6(VI).66.1-00	Handle switch assy. LH	1	
11	<u>57511QAGZ000</u> QM50QT-6.32.2-01	Band lever bracket, LH	1	
12	<u>57531QAGZ000</u> QM50QT-6.32.2-04	Bracket, brake lever LH	1	
13	<u>02104Q060254</u> GB/T16674.1-2004	Bolt M6x25	2	
14	<u>57621QAGZ000</u> QM50QT-6.32.2-02	Lever, rear brake	1	
15	<u>57634QAGZ000</u> QM50QT-6.32.2-03	Bolt	1	
16	<u>05409Q041052</u>	Nut M5	1	
17	<u>57460QAGZ000</u> QM50QT-6.32.4.1-00	Switch assy, stop lamp	1	
18	<u>58300QAGZ000</u> QM50QT-6.32.6-00	Cable, throttle	1	
19	<u>58500QAGZ000</u> QM50QT-6.32.8-00	Cable, rear brake	1	

FIG.20



20

FIG.20

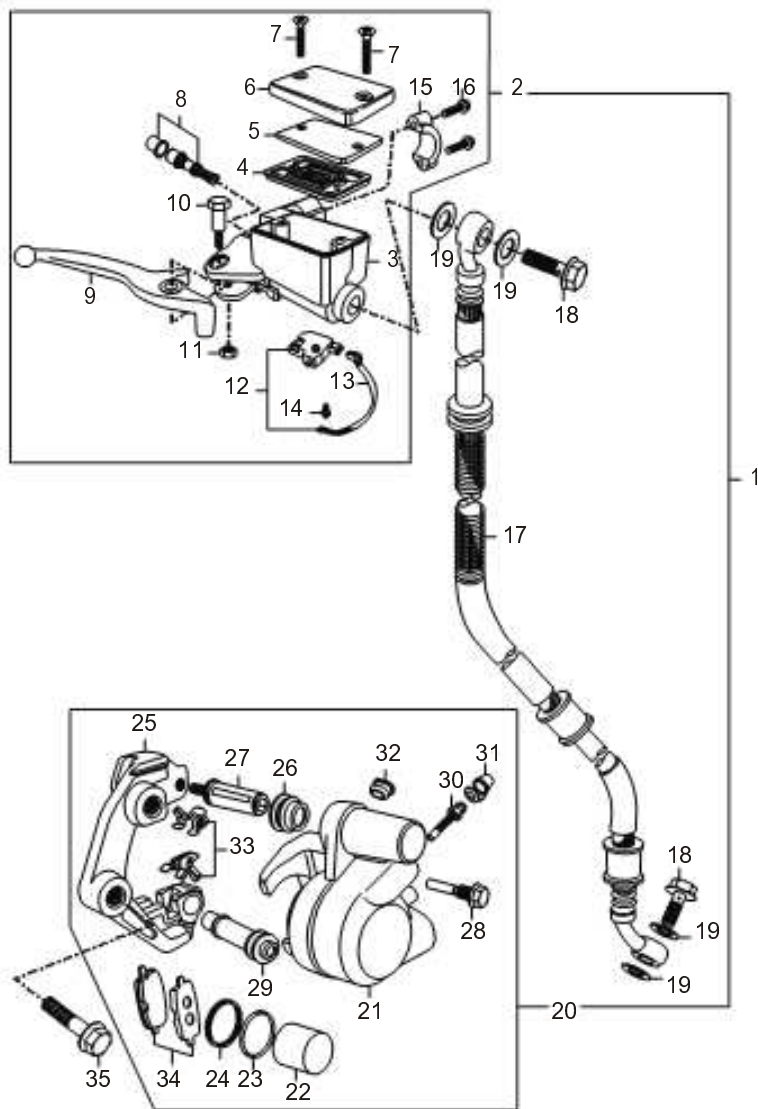
ПЕРЕКЛЮЧАТЕЛИ РУЛЕВЫЕ

Ref.No.	Part No.	Description	Q'ty	Remarks
20	58558QAGZ000 QM50QT-6.32.8-4	Dust seal	1	
21	09440Q070001 QM50T-7.32.8-12	Spring	1	
22	06190Q011220	Pin	1	
23	06173Q060000 QM/T228.7	Adjusting nut M6	1	
24		Raer brake assy	1	



QM50QT-2

FIG.21



QM50QT-2

21

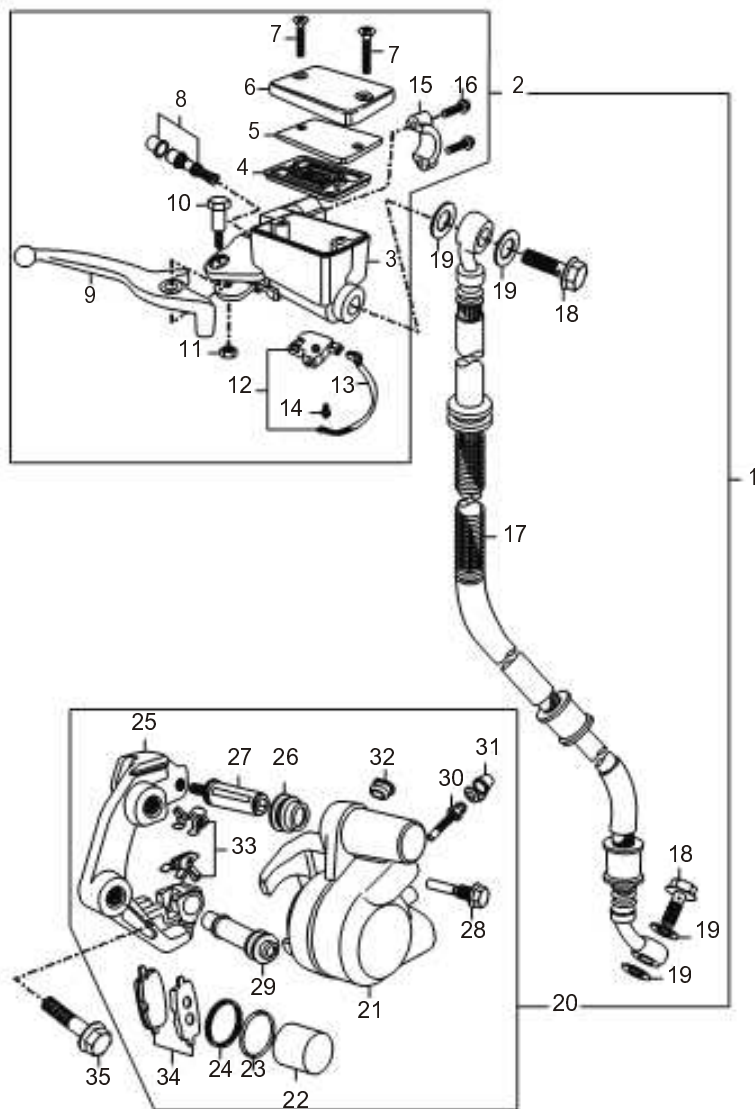
FIG.21

ПЕРЕДНИЙ ТОРМОЗ

Ref.No.	Part No.	Description	Q'ty	Remarks
1	59000QABZ000 QM50QT-2.83-00	Disk brake assy	1	
2	59600QAGZ030 QM50QT-6(III).83.1-00	Master cylinder assy	1	
3	*	Reservoir	1	
4	*	Gasket	1	
5	*	Gasket II	1	
6	*	Cap, reservoir	1	
7	*	Screw	2	
8	*	Piston	1	
9	57421QAGZ030 QM50QT-6(III).83.1-01	Lever, front brake	1	
10	57431QAGZ030 QM50QT-6(III).83.1-02	Bolt M6x30	1	
11	05409Q0610063	Nut M6	1	
12	57460QAGZ030 QM50QT-6(III).83.4-00	Switch assy, stop lamp	1	
13	* 57468QAGZ030 QM50QT-6(III).83.4.1-00	Cable assy	1	
14	03454Q340104 GB/T9074.8-1988	Screw M4x10	1	
15	59671QAGZ030 QM50QT-6(III).83.1-03	Bracket, master cylinder	1	
16	09111Q060004	Bolt M6x25	2	
17	59280QABZ000 QM50QT-2.83.2-00	Hose assy, front brake	1	
18	09360Q100002	Bolt M10x24	2	
19	09160Q100007	Seal ring 10	4	
20	59100QAGZ030 QM50QT-6(III).83.3-00	Brake caliper assy	1	



FIG.21



QM50QT-2

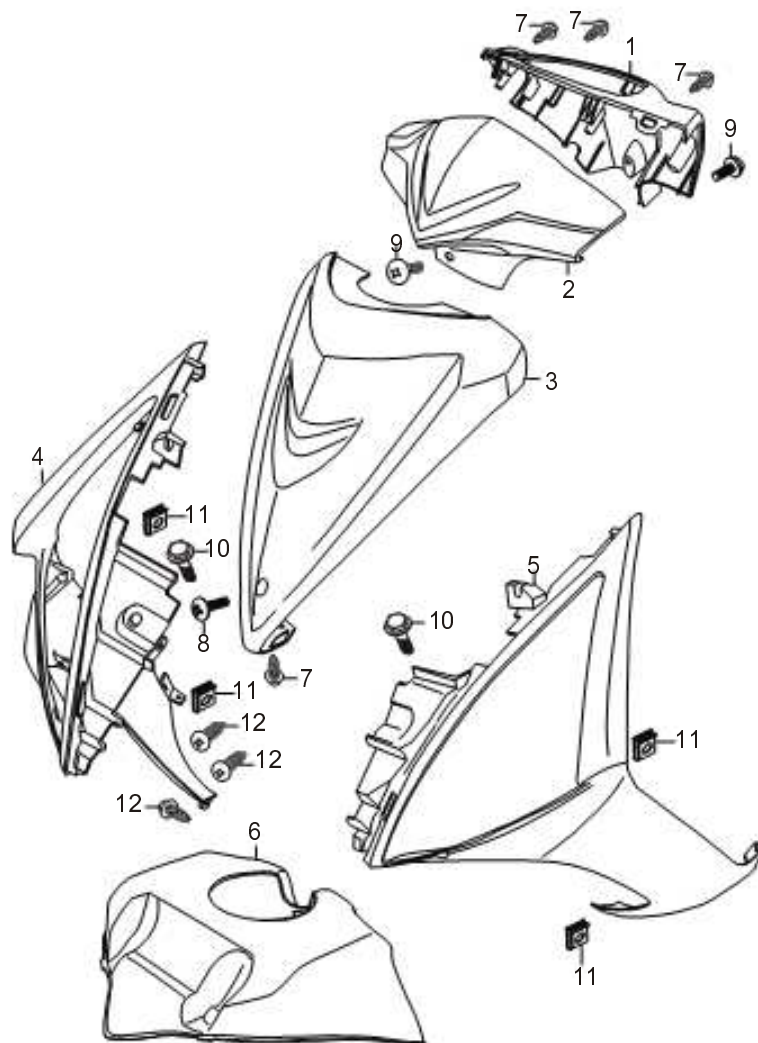
21

FIG.21

ПЕРЕДНИЙ ТОРМОЗ

Ref.No.	Part No.	Description	Qty	Remarks
21	*	Pump shell	1	
22	*	Piston set	1	
23	*	Oil seal	1	
24	*	Dust ring	1	
25	*	Carrier set, calipers	1	
26	*	Cap, bush	1	
27	*	Sliding pin	1	
28	*	Bolt	1	
29	*	Long bush	1	
30	59121QAGZ030 QM50QT-6(III).83.3-01	Bleeder	1	
31		Cap, bleeder	1	
32		Cover	1	
33		Support pad	2	
34	59130QAGZ030 QM50QT-6(III).83.3.1-00	Pad assy	2	
35	09103Q080003	Bolt M8x30	2	

FIG.22



QM50QT-2

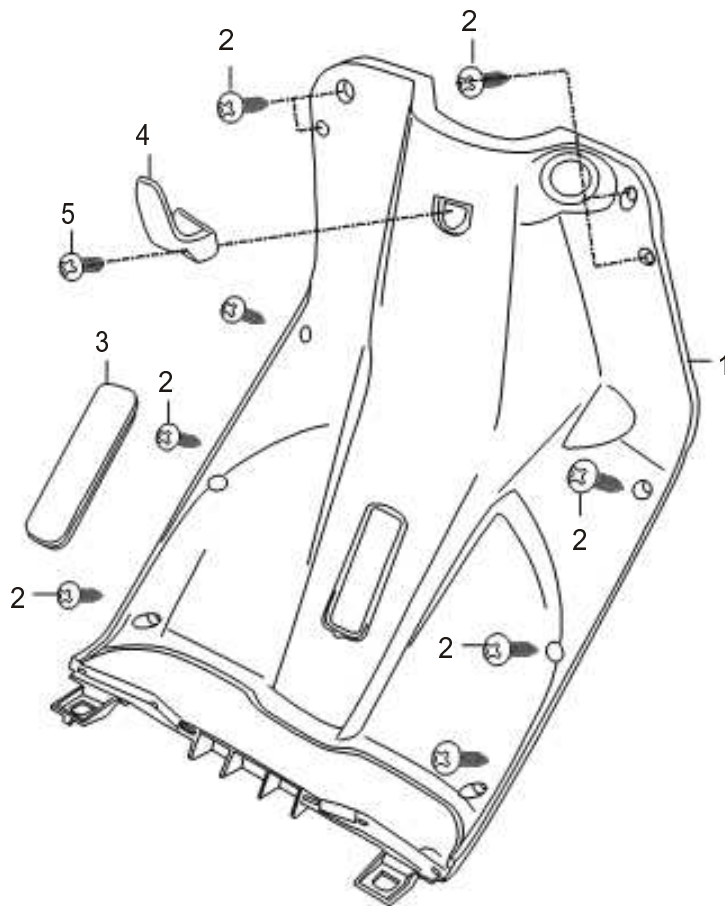
22

FIG.22

ПЕРЕДНИЙ ПЛАСТИК

Ref No	Part No.	Description	Q'ty	Remarks
1	56321QABZ000 QM50QT-2.46-09	Cover, handle front	1	
2	56311QABZ000 QM50QT-2.46-08	Cover, handle rear	1	
3	48111QABZ000 QM50QT-2.46-10	Front cover	1	
4	48112QABZ000 QM50QT-2.46-12	Side cover, RH	1	
5	48111QABZ000 QM50QT-2.46-11	Side cover, LH	1	
6	48127QABZ000 QM50QT-2.46-05	Lower cover	1	
7	04010Q041302 GB845-85	Screw ST4.2x13	4	
8		Screw M5x12	4	
9	03411Q050122 GB/T818-2000	Screw M5x12	2	
10	02104Q060162 GB/T16674.1-2004	Bolt M6x16	2	
11	09148Q040001	Spring plate nut ST4.2	4	
12	04010Q051602 GB845-85	Screw ST4.8x16	3	

FIG.23



QM50QT-2

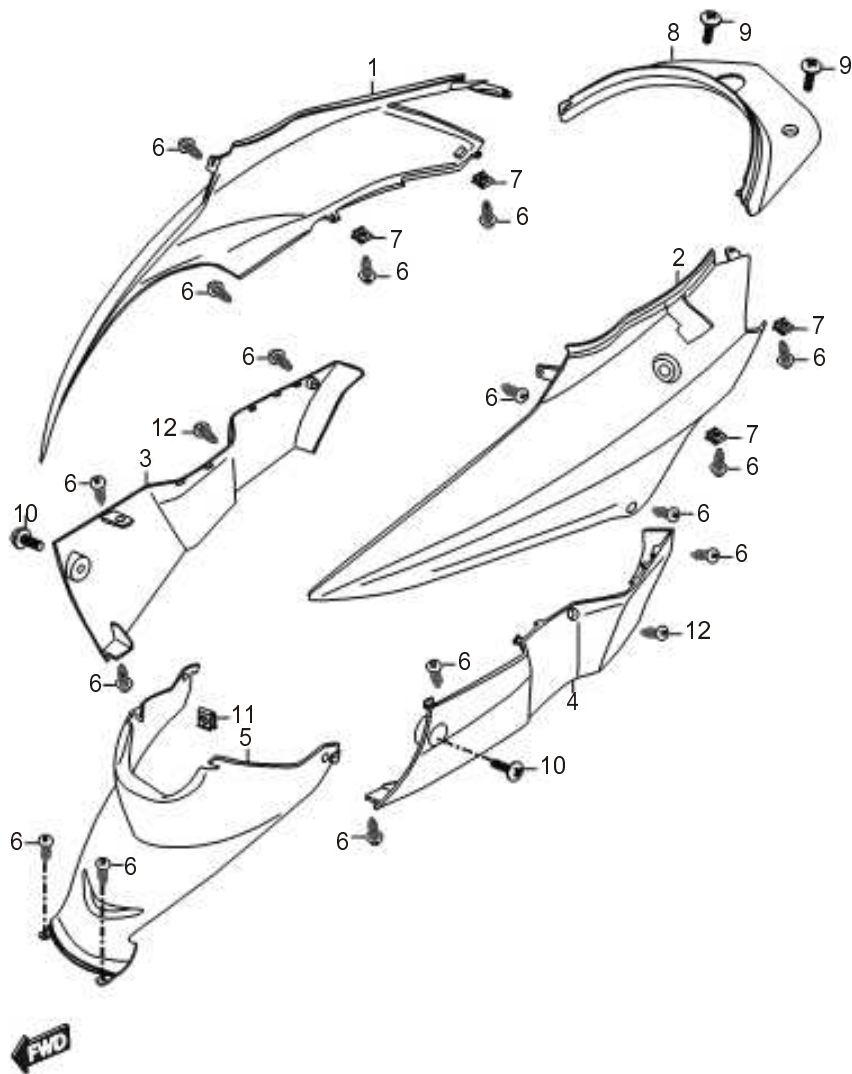
23

FIG.23

ВНУТРЕННИЙ ПЛАСТИК

Ref.No.	Part No.	Description	Q'ty	Remarks
1	<u>92111QABZ000</u> QM50QT-2.46-15	Shield inner,	1	
2	<u>04010Q041302</u> GB/T845-1985	Screw ST4.2x13	10	
3	<u>92121QABZ000</u> QM50QT-6.46.1-03	Lid leg shield	1	
4	<u>92519QABZ000</u> QM50QT-6.46-18	Hook luggage	1	
5	<u>03411Q060165</u> GB/T818-2000	Screw M6x16	1	

FIG.24



QM50QT-2

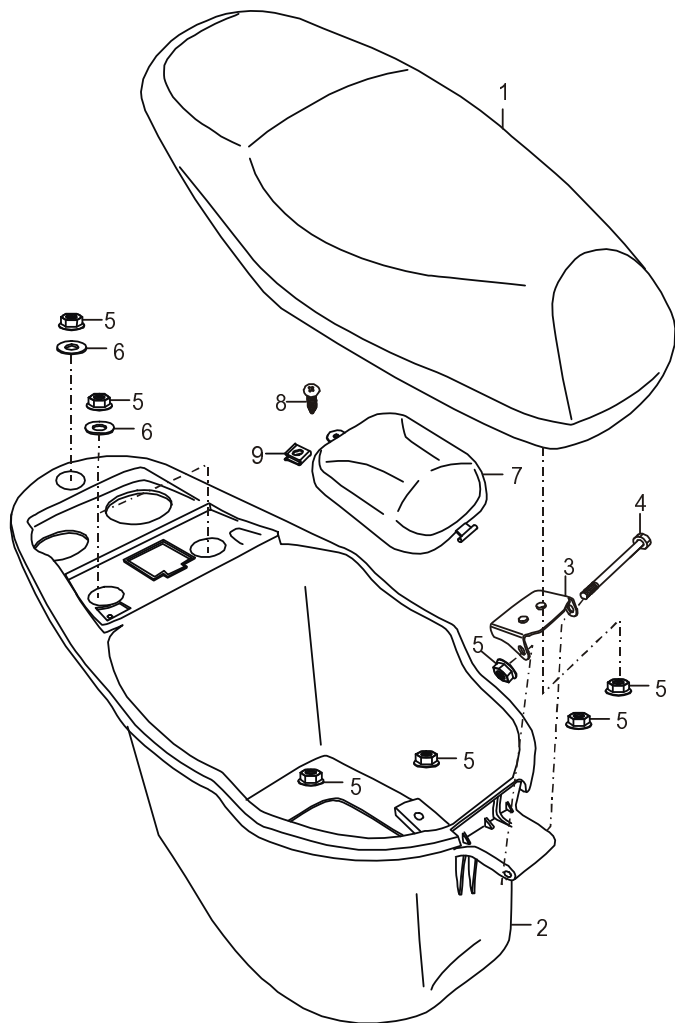
24

FIG.24

БОКОВОЙ ПЛАСТИК

Ref.No	Part No.	Description	Q'ty	Remarks
1	47111QABZ000 QM50QT-2.46-02	Side cover, RH	1	
2	47211QABZ000 QM50QT-2.46-03	Side cover, LH	1	
3	47131QABZ000 QM50QT-2.46-14	Lower cover, side RH	1	
4	47231QABZ000 QM50QT-2.46-13	Lower cover, side LH	1	
5	48141QABZ000 QM50QT-2.46-18	Cover, center	1	
6	04010Q041302 GB845-85	Screw ST4.2x13	14	
7	09148Q040001	Spring plate nut ST4.2	4	
8	47321QABZ000 QM50QT-2.46-04	Rear cover	1	
9	03451Q050121	Screw M5x12	2	
10	GB/T823-1988 03411Q060165 GB/T818-2000	Screw M6x16	2	
11	09148Q060001	Nut M6	1	
12	04010Q041602 GB845-85	Screw ST4.2x16	2	

FIG.25



QM50QT-2

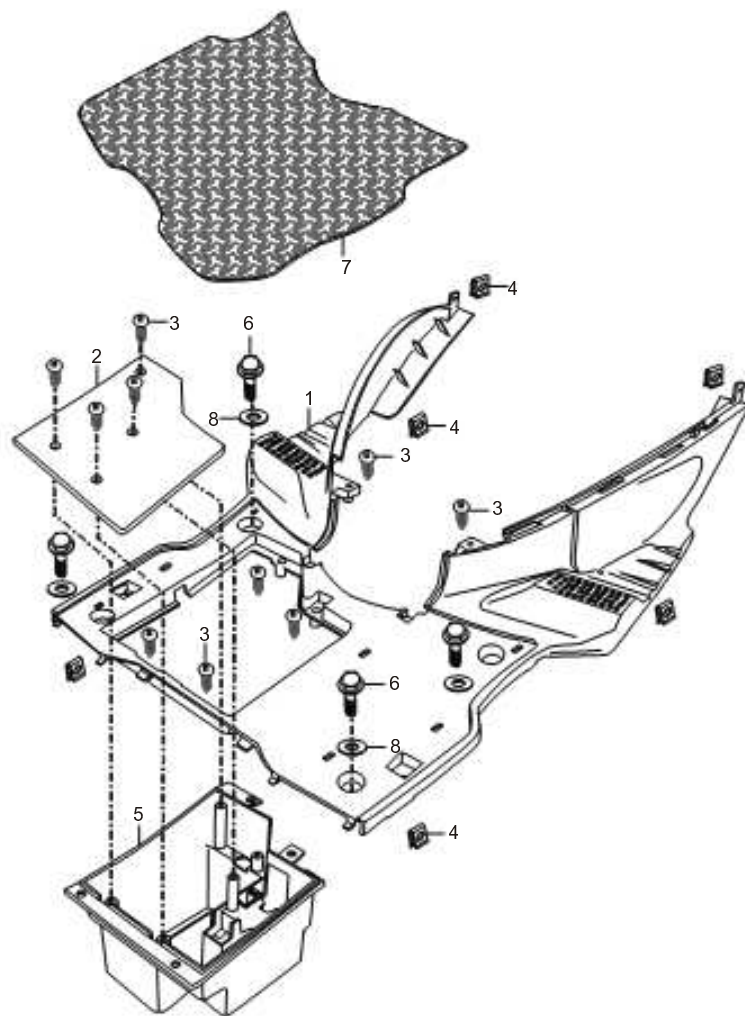
25

FIG.25

СИДУШКА

Ref.No.	Part No.	Description	Q'ty	Remarks
1	<u>45100QABZ000</u> QM50QT-2.36-00	Seat assy	1	
2	<u>92211QABZ000</u> QM50QT-2.46-06	Box luggage	1	
3		Hinge, seat	1	
4		Pin	1	
5	<u>05404Q011064</u> GB/T6177.1-2000	Nut M6	8	
6	<u>05420Q011065</u> GB/T95-2000	Washer 6	3	
7	92212QABZ000	Cover above carburetor	1	
8	<u>04010Q041302</u> GB/T845-1985	Screw ST4.2x13	1	
9	09148Q060001	Nut M6	1	

FIG.26



QM50QT-2

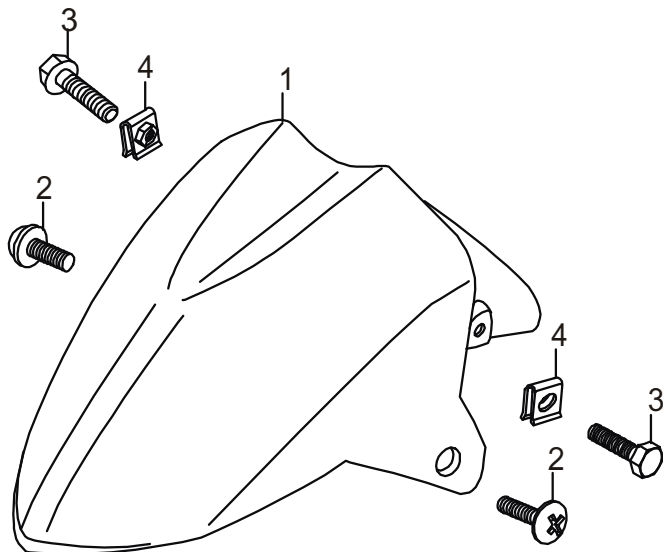
26

FIG.26

ПАНЕЛЬ ПОЛА

Ref.No.	Part No.	Description	Q'ty	Remarks
1	<u>48121QABZ000</u> QM50QT-2.46-01	Floor panel	1	
2	<u>33642QABZ000</u> QM50QT-2.46-16	Cover battery	1	
3	<u>04010Q051602</u> GB/T845-1985	Screw ST4.2x13	10	
4	<u>09148Q040001</u>	Spring plate nut ST4.2	6	
5	<u>33641QABZ000</u> QM50QT-2.46-19	Box battery	1	
6	<u>02104Q060162</u> GB/T16674.1-2004	Bolt M6x16	4	
7	<u>48121QABZ000</u> QM50QT-2.46-21	Mat, floor	1	
8	<u>05420Q051061</u> GB/T96-1985	Washer 6	4	

FIG.27



27

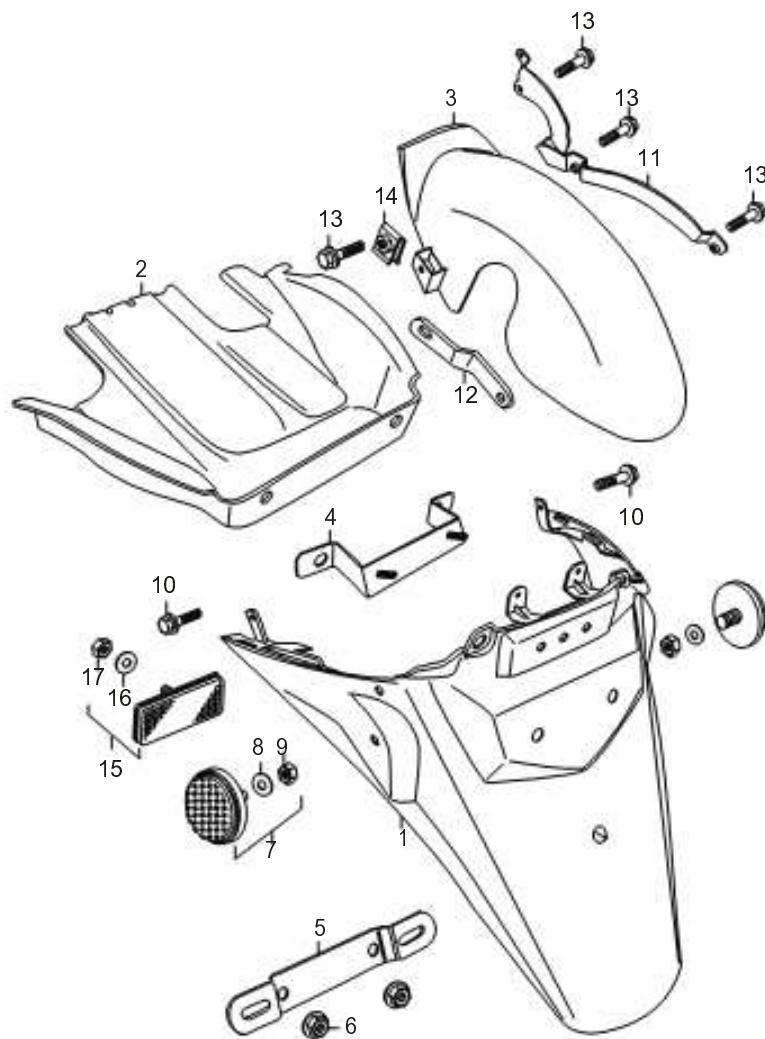
FIG.27

КРЫЛО ПЕРЕДНЕЕ

Ref.No.	Part No.	Description	Q'ty	Remarks
1	<u>53111QABZ000</u> QM50QT-2.37-01	Front fender	1	
2	<u>03411Q060165</u> GB/T818-2000	Screw M6x16	2	
3		Bolt M6x35	2	
4	09148Q060001	Nut M6	2	

QM50QT-2

FIG.28



QM50QT-2

28

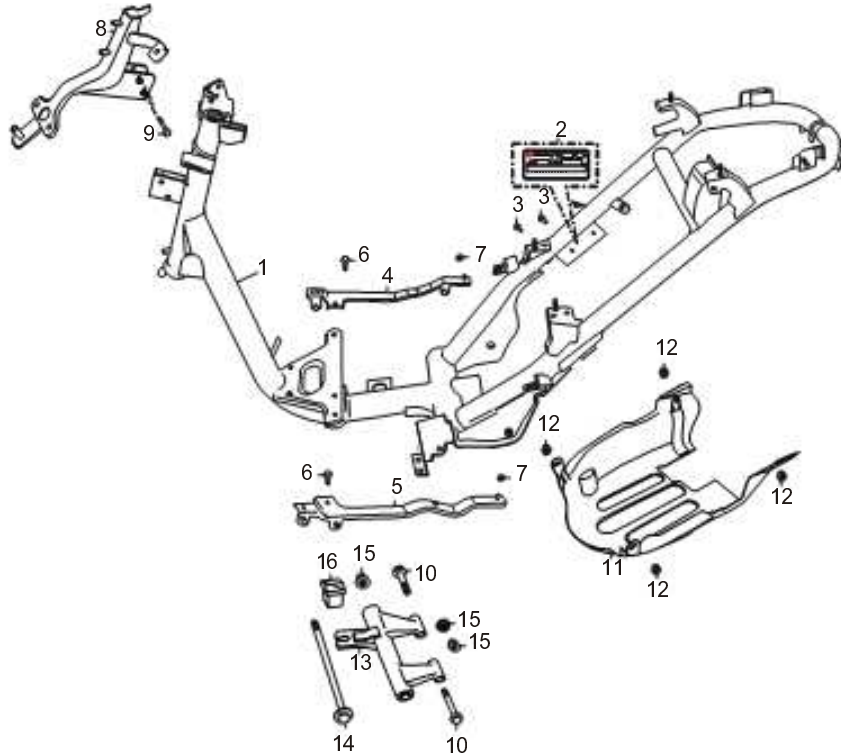
FIG.28

КРЫЛО ЗАДНЕЕ

Ref.No.	Part No.	Description	Q'ty	Remarks
1	63111QABZ000 QM50QT-2.38-02	Rear fender I	1	
2	QM50QT-2.38-03	Rear fender II	1	
3	63421QABZ000 QM50QT-2.38-01	Small fender	1	
4	41550QABZ000 QM50QT-2.30.7-00	Bracket, rear fender	1	
5	96702QABZ000 QM50QT-2.99-01	Bracket, license plate	1	
6	05404Q012062 GB/T6177.1-2000	Nut M6	2	
7	35950QACC000 QM50QT-3M.74.1-00	Reflector assy, side	2	
8		Washer 6	2	
9		Nut M6	2	
10	02104Q060102 GB/T16674.1-2004	Bolt M6x10	2	
11		Bracket, small fender RH	1	
12		Bracket, small fender LH	1	
13	02104Q060122 GB/T16674.1-2004	Bolt M6x12	4	
14	09148Q060001	Nut M6	1	
15	35970QEA2000 QM125T-B.74.1-00	Reflector assy, rear	1	
16		Washer 5	1	
17		Nut M5	1	



FIG.29



QM50QT-2

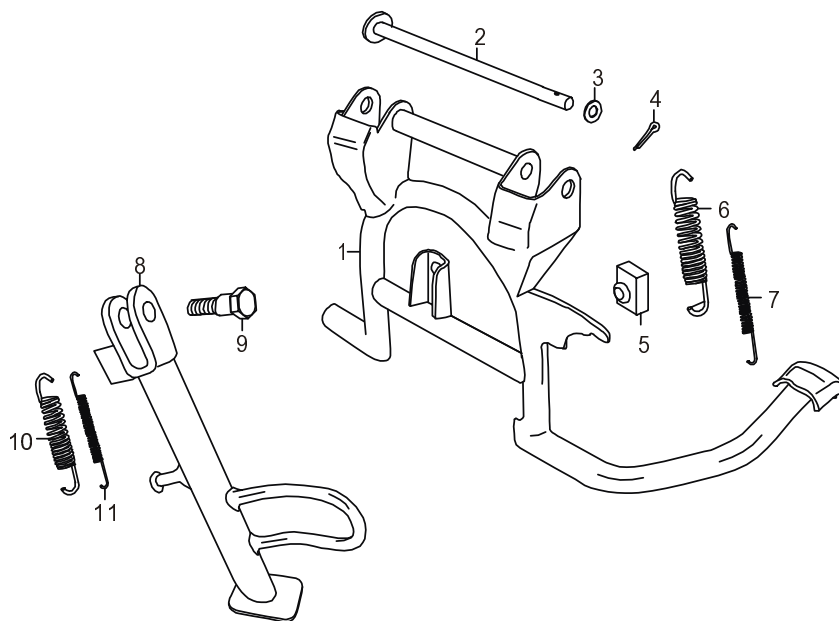
29

FIG.29

PAMA

Ref.No.	Part No.	Description	Q'ty	Remarks
1	41100QABZ000 QM50QT-2.30.1-00	Body comp, frame	1	
2	09600Q000001	Frame brand	1	
3	05011Q220051	Rivet	2	
4	41731QABZ000 QM50QT-2.30.4-00	Support, RH floor	1	
5	41730QABZ000 QM50QT-2.30.3-00	Support, LH floor	1	
6	02104Q060162 GB/T16674.1-2000	Bolt M6x16	2	
7	05404Q012062 GB/T6177.1-2000	Nut M6	2	
8	41150QABZ000 QM50QT-2.30.5-00	Stay, front cover	1	
9	01112Q060351 GB/T9074.11-1988	Bolt M6x35	2	
10	02504Q100714 GB/T16674.2-2004	Bolt M10x1.25x71	2	
11	48127QABZ000 QM50QT-2.46-04	Cover, under	1	
12	05404Q012062 GB/T6177.1-2000	Nut M6	4	
13	41101QABZ000 QM50QT-2.30.2-00	Bracket set, crankcase	1	
14	41188QAGZ000 QM50QT-6.30-3	Shaft	1	
15	05409Q101105 GB/T6187.2-2000	Nut M10x1.25	3	
16	41185QAGZ000 QM50QT-6.30.5-01	Cushion	1	

FIG.30



30

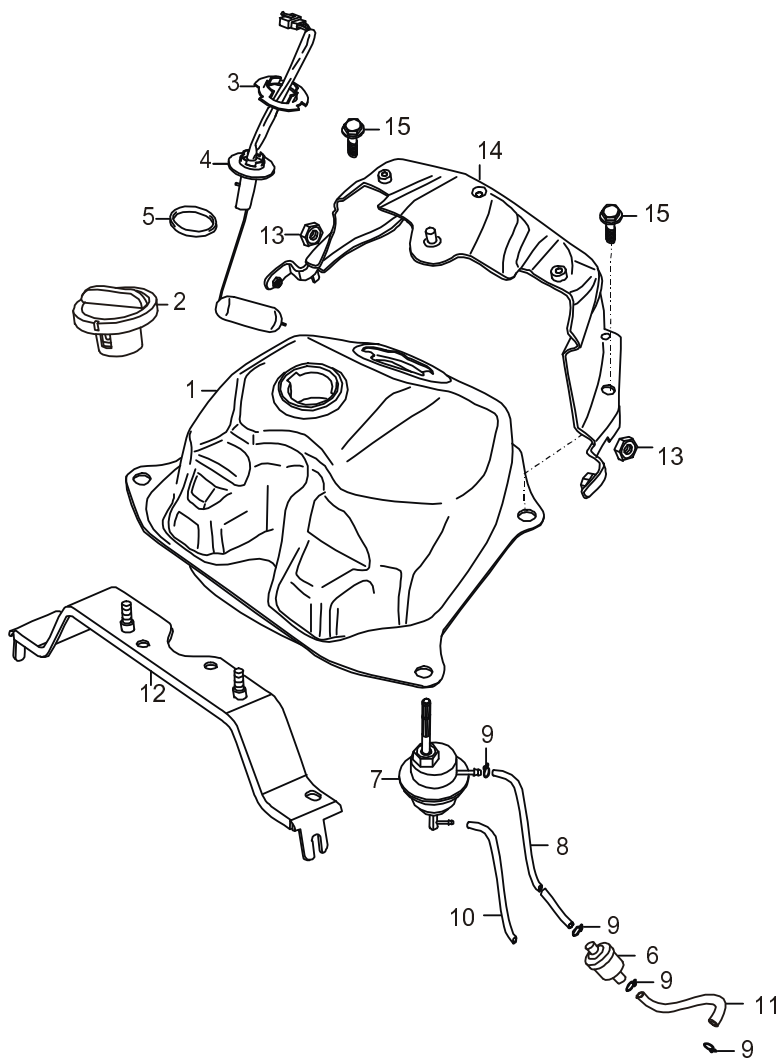
FIG.30

ПОДНОЖКИ

Ref.No.	Part No.	Description	Q'ty	Remarks
1	<u>42110QAGZ010</u> QM50QT-6(III).41.1-00	Stand comp, center	1	
2	<u>42211QAGZ000</u> QM50QT-6.41-01	Axle, center stand	1	
3	<u>05420Q011081</u> GB/T95-2002	Washer 8	1	
4		Cotter pin	1	
5	<u>42261QAGZ000</u> QM50QT-6.41-02	Cushion	1	
6	<u>09443Q150001</u> QM100T.41-7	Spring	1	
7	<u>09443Q090002</u> QM50QT-6(III).41-1	Spring	1	
8	<u>42310QAGZ030</u> QM50QT-6(III).81.1-00	Stand comp, side	1	
9	<u>09111Q080006</u> QM50QT-3M.81-01	Bolt	1	
10	<u>09443Q140003</u> QM100.49-2	Spring	1	
11	<u>09443Q090001</u> QM50QT-6(III).81-1	Spring	1	

QM50QT-2

FIG.31



QM50QT-2

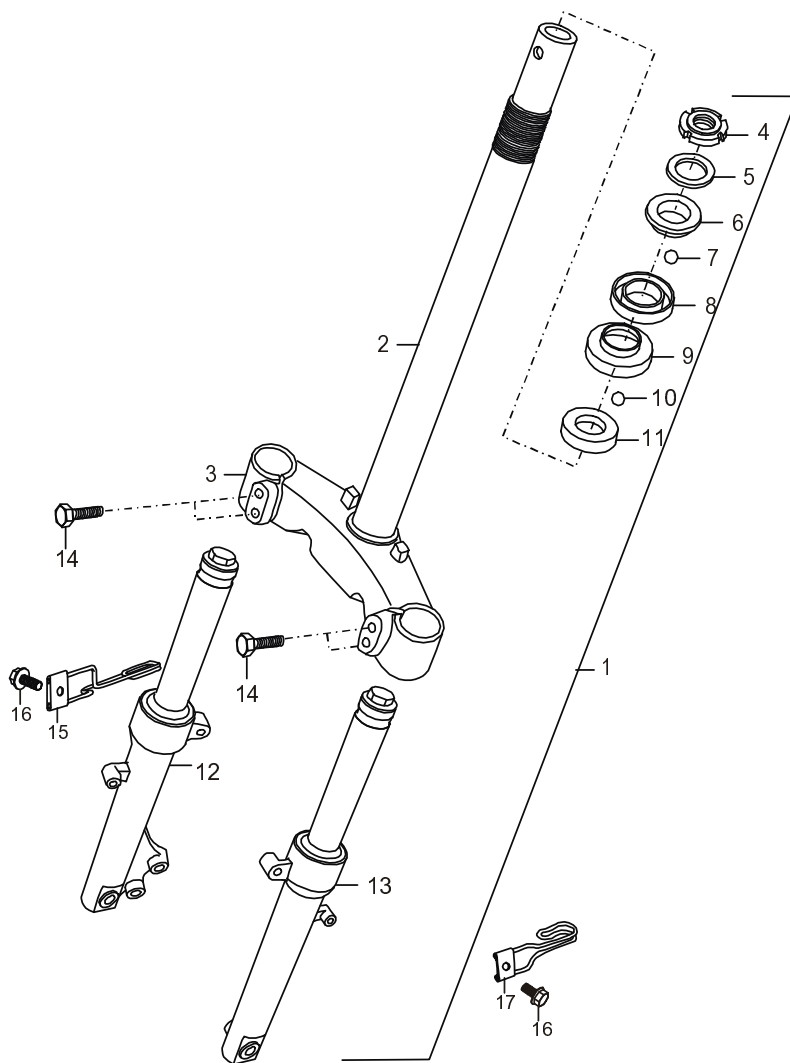
31

FIG.31

БЕНЗОБАК

Ref.No.	Part No.	Description	Q'ty	Remarks
1	44110QAGG000 QM50QT-6S.44.1-00	Fuel tank comp	1	
2	44200QDA1000 QM50QT-6S.65.3-00	Cap, fuel tank	1	
3	44587QDA1000	Bracket, gauge assy	1	
4	34800QAGG000 QM50QT-6S.77-00	Gauge assy, fuel tank	1	
5	34825QDA1000 QM100T-A.44-2	Packing	1	
6	44360QKG3000 QM100-7C.44.3-00	Filter, fuel	1	
7	44300QAGZ000 QM50QT-6.44.4-00	Switch assy, fuel tank	1	
8	44424QAGZ000 QM50QT-6.44-01	Hose	1	
9	09401Q084001 GS125.44-5	Clamp, oil hose Hose	4	
10	44425QAGZ000 QM50QT-6.44-02	Hose	1	
11		Bracket, seat catch	1	
12	44561QAGZ000 QM50QT-6.30.3-00	Nut M6	1	
13	05404Q012064 GB/T6177.1-2000	Back holder, fuel tank	2	
14	44571QABZ000 QM50QT-2.30.4-00	Bolt M6x16	1	
15	02104Q060162 GB/T16674.1-2004		2	

FIG.32



QM50QT-2

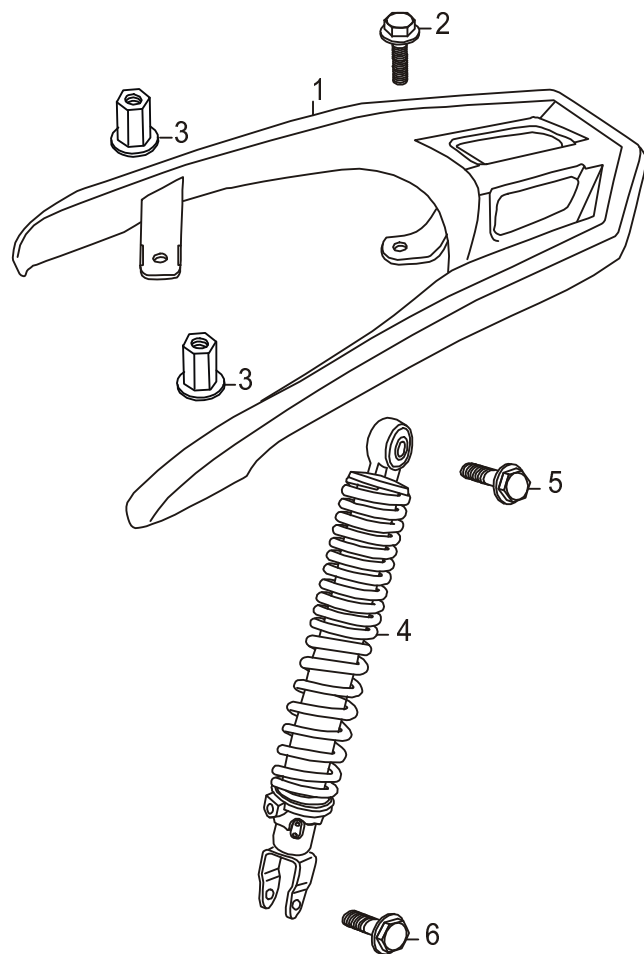
32

FIG.32

ПЕРЕДНЯЯ ВИЛКА

Ref.No.	Part No.	Description	Q'ty	Remarks
1	51000QABZ000 QM50QT-2.31-00	Front fork	1	
2	51106QABZ000 QM50QT-2.31.1.2-00 51410QABZ030	Stem comp, steering	1	
3	QM50QT-2.31.4-00	Head, steering stem	1	
4	51631QACC000 QM50QT-3M.31-01	Nut, stem lock	1	
5	09166Q210001 QM50T-7.31-2	Washer	1	
6	51621QACC000 QM50QT-3M.31-02	Race, steering outer, upper	1	
7	05450Q005011 GB308-89	Ball	18	
8	51611QACC000 QM50QT-3M.31-03	Race, steering inner, upper	1	
9	51612QAGZ000 QM50QT-6.30-01	Race, steering inner, lower	1	
10	05450Q002011 GB 308-89	Ball	26	
11	51622QAGZ000 QM50QT-6.31.1-01	Race, steering outer, lower	1	
12	51130QABZ000 QM50QT-2.31.2-00	Fork assy. RH	1	
13	51140QAGZ000 QM50QT-2.31.3-00	Fork assy. LH	1	
14	02104Q080481	Bolt M8x48	4	
15	51453QAGZ030 QM50QT-6(III).31-1	Clamp	1	
16	01601Q060201 GB/T5783-2000	Bolt M6x20	2	
17	51283QAGZ030	Clamp	1	

FIG.33



33

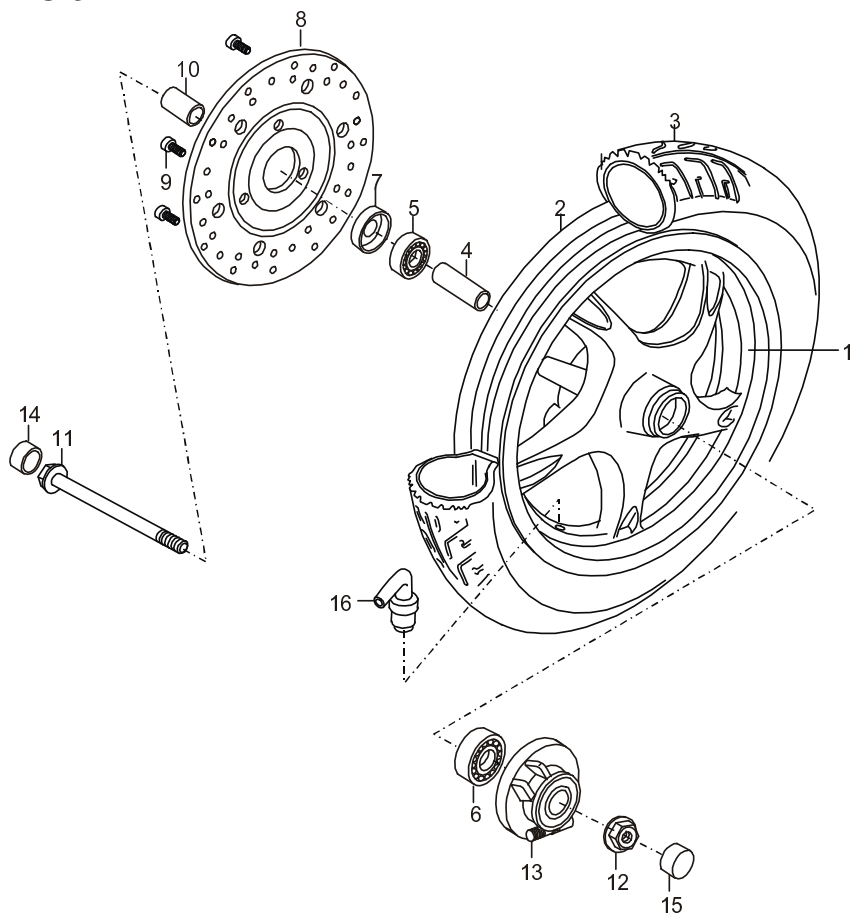
FIG.33

ЗАДНИЙ АММОТИЗАТОР / БАГАЖНИК

Ref.No.	Part No.	Description	Q'ty	Remarks
1	46311QABZ000 QM50QT-2.40-01	Carrier comp, rear	1	
2	02104Q080251 GB/T16674.1-2004	Bolt M8x25	1	
3	05407Q012065 GB/T923-1988	Nut M6	2	
4	62101QEAZ000 QM125T.35-00	Shock absorber, rear	1	
5	02504Q100704 GB/T16674.2-2004	Bolt M10x1.25x70	1	
6	02104Q080351 GB/T16674.1-2004	Bolt M8x35	1	

QM50QT-2

FIG.34



34

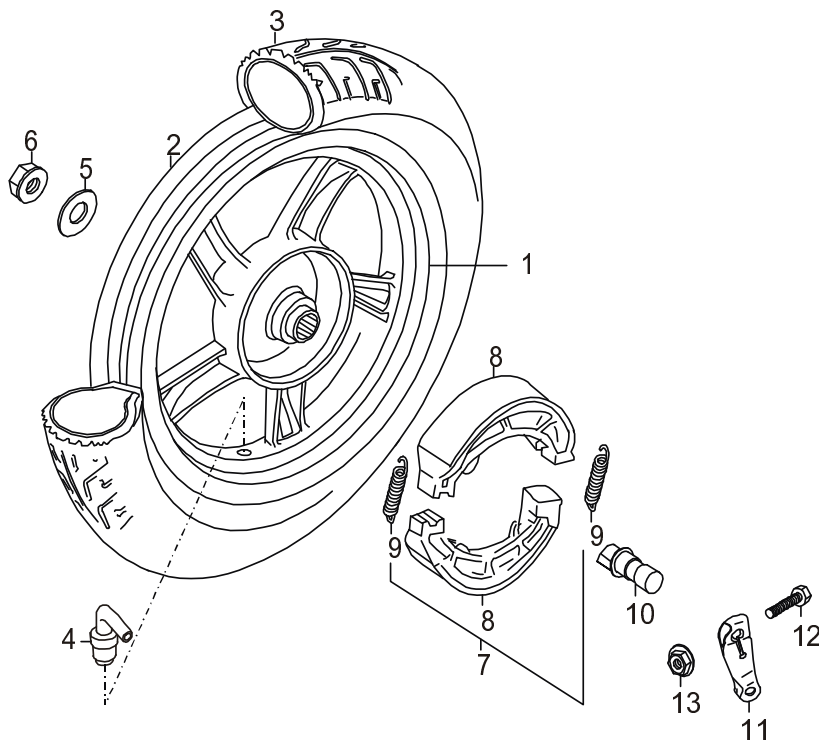
FIG.34

ДИСК ПЕРЕДНИЙ

Ref.No.	Part No.	Description	Q'ty	Remarks
1		Front wheel	1	
2	<u>54111QABZ000</u> QM50QT-2.33-01	Rim, front wheel	1	
3	<u>55110QED2000</u> QM125T-4B.33.1-00	Tyre, front	1	
4	<u>54731QABZ000</u> QM50QT-2.33-04	Spacer, front wheel	1	
5	<u>05530Q060201</u> GB279-86	bearing Bearing 600201	1	
6	<u>05530Q060301</u> GB279-86	Bearing 600301	1	
7	54893QAGZ030	Oil seal	1	
8	<u>59211QAGZ030</u> QM50QT-6(III).83-01	Disk, front brake	1	
9	09106Q080003	Bolt M8x24	3	
10	<u>54225QABZ000</u> QM50QT-2.33-02	Spacer, front wheel	1	
11	<u>54711QEAZ000</u> QM125T.33.1-5	Axle, front wheel	1	
12	<u>05409Q091125</u> GB6187.2-0000	M12x222 Flange nut M12x1.25	1	
13	<u>54600QABZ000</u> QM50QT-2.33.1-00	Gear box, speedometer	1	
14	<u>54884AGZ030</u> QM50QT-6(III).33-04	Cap, axle RH	1	
15	<u>54894 AGZ030</u> QM50QT-6(III).33-05	Cap, axle LH	1	
16	<u>55220QDAZ000</u> QM100T.33.3-00	Valve assy, inflating	1	

QM50QT-2

FIG.35



QM50QT-2

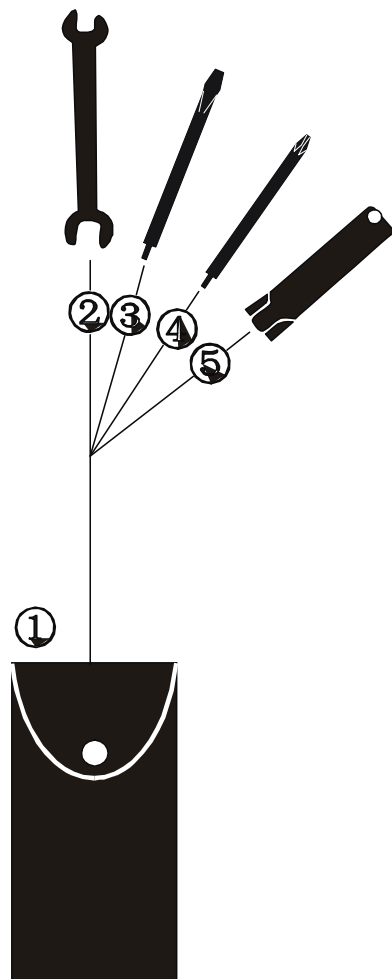
35

FIG.35

ДИСК ЗАДНИЙ

Ref.No.	Part No.	Description	Q'ty	Remarks
1	QM50T-10A.34.1-00	Rear wheel	1	
2	64110QAKA010 QM50T-10A ( A )	Hub, rear wheel	1	
3	55110OED2000 QM125T-4B.33.1-00	Tyre, rear	1	
4	55220QDAZ000 QM100T.33.3-00	Inflating valve assy, wheel rim	1	
5	GB848-85	Washer	1	
6	GB6187-86	Nut M16	1	
7	QM100T.33.3-00	Brake shoe set	1	
8		Brake shoe	2	
9	QM125T.33.1.1-5	Spring	2	
10	64441QAGZ000 QM50QT-6.34-01 64451QAGZ000	Cam, rear brake	1	
11	QM50QT-6.33.2-01	Lever, rear brake cam	1	
12	GB5782-86	Bolt M6x32	1	
13	GB6177-86	Nut M6	1	

FIG.36



36

FIG.36

ИНСТРУМЕНТ

Ref.No.	Part No.	Description	Q'ty	Remarks
1	09811Q000004	Bag, tool	1	
2	09813Q000004	Spanner	1	
3	09814Q000006	Screwdriver	1	
4	09814Q000005	Screwdriver	1	
5	09816Q000004	Spark plug wrench	1	

QM50QT-2