



КАТАЛОГ ЗАПЧАСТЕЙ

WOLF 200

QM200 - 2D

www.SkyBike.com.ua

Внимание!

Для заказа запчастей необходимо в каталоге найти страницу с изображением интересующей вас детали. В левом верхнем углу написан код рисунка. Номер детали указан возле изображения детали. Например для заказа прокладки глушителя, для модели FORTUNE 50, вы пишете в заявке – "FIG.13 – 8 Прокладка глушителя" (или название на английском из каталога) и необходимое количество. Если группа деталей объединена скобкой, это значит, что детали продаются в комплекте.

После того, как вы определились с выбором детали, вы можете сделать заказ, уточнить наличие на складе, цену, позвонив по телефонам указанным на [сайте](#) или отправьте запрос на наш e-mail: repair@skybike.com.ua

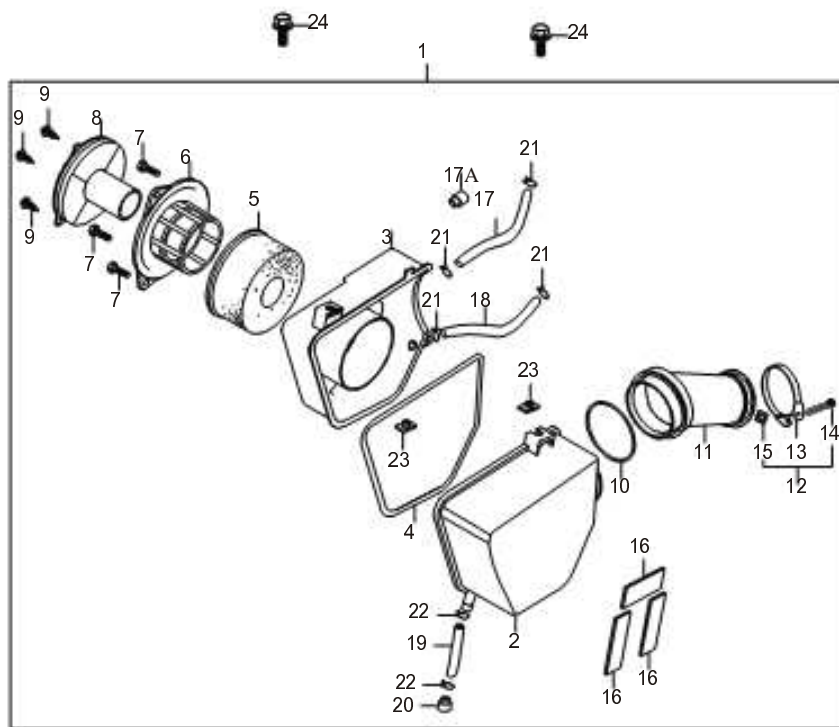
КАТАЛОГ ЗАПЧАСТЕЙ

Ref. No.		Стр
FIG.C1	ВОЗДУШНЫЙ ФИЛЬТР	1
FIG.C2	ГЛУШИТЕЛЬ	3
FIG.C3	ЭЛЕКТРИЧЕСКИЕ ЧАСТИ	4
FIG.C4	АККУМУЛЯТОР	5
FIG.C5	ПРОВОДКА	6
FIG.C6	СПИДОМЕТР	7
FIG.C7	ФАРА	9
FIG.C8	УКАЗАТЕЛИ ПОВОРОТОВ	11
FIG.C9	ФОНАРЬ ЗАДНИЙ	12
FIG.C10	РУЛЬ	13
FIG.C11	ПЕРЕКЛЮЧАТЕЛИ РУЛЕВЫЕ	14
FIG.C12	ПЕРЕДНИЙ ТОРМОЗ	15
FIG.C13	ЗАДНИЙ ТОРМОЗ	18
FIG.C14	РАМА	20
FIG.C15	ПОДНОЖКИ	21
FIG.C16	БЕНЗОБАК	22
FIG.C17	БЕНЗОНАСОС	23
FIG.C18	СИДУШКА	24
FIG.C19	ПЛАСТИК РАМЫ	25
FIG.C20	КРЫЛО ПЕРЕДНЕЕ	26
FIG.C21	КРЫЛО ЗАДНЕЕ	27
FIG.C22	ПОДНОЖКИ	28

КАТАЛОГ ЗАПЧАСТЕЙ

Ref. No.		Стр
FIG.C23	РЫЧАГ ЗАДНИЙ	30
FIG.C24	РУЧКА ЗАДНЯЯ	32
FIG.C25	ЗАДНИЙ АМОРТИЗАТОР	33
FIG.C26	ПЕРЕДНЯЯ ВИЛКА	34
FIG.C27	КОЛЕСО ПЕРЕДНЕЕ	35
FIG.C28	КОЛЕСО ЗАДНЕЕ	36
FIG.C29	ИНСТРУМЕНТ	38

FIG.C1



QM200-2D

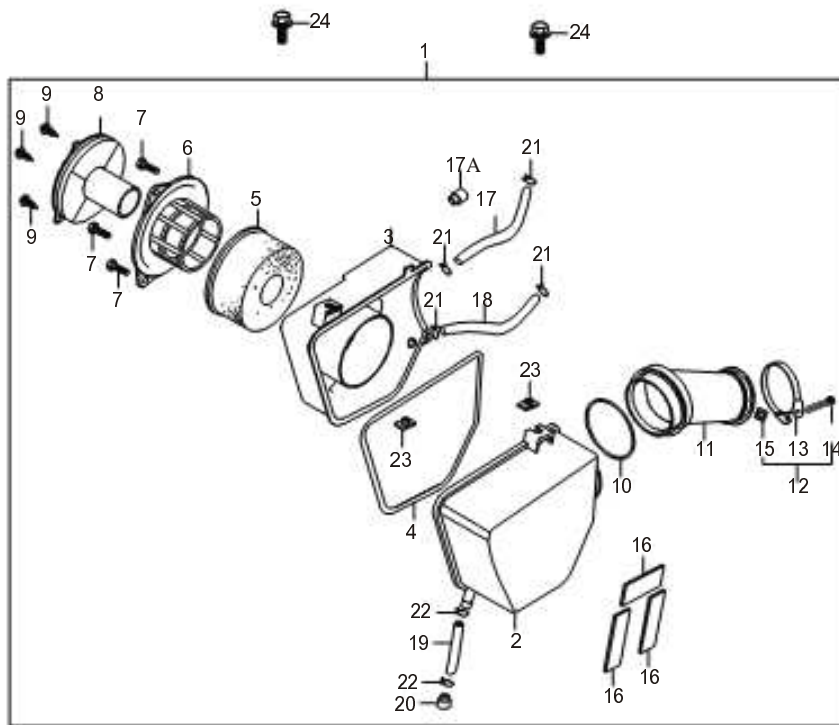
C 1

FIG.C1

ВОЗДУШНЫЙ ФИЛЬТР

Ref.No.	Part No.	Description	Q'ty	Remarks
1	13701QMM4000 QM200-2D.11.1-00	Air Cleaner assy	1	
2	13721QLAZ000 K157FMI.11.2-02	Shell Air Cleaner, R	1	
3	13731QLAZ000 K157FMI.11.2-01	Shell Air Cleaner, L	1	
4	13746QLAZ000 K157FMI.11.2-03	Ring	1	
5	13780QLAZ000 K157FMI.11-06	Filter	1	
6	13791QLAZ000	Frame	1	
7	01514Q050104	Screw M5x12	3	
8	13893QLAZ000 K157FMI.11-8	Tube inlet	1	
9	04020Q041602	Tapping screw ST4.2x16	3	
10	13883QLAZ000	Spring	1	
11	13881QMM4000 QM200-2D.11-01	Tube drain	1	
12	13820QLAZ000 K157FMI.11.1-00	Clamp Assembled assy	1	
13	13826QLAZ000 K157FMI.11.1-1	Clamp Assembled Screw	1	
14	03411Q040302 GB/T818	M4x30	1	
15	05403Q025042 GB/T6174-2000	Nut M4	1	
16	13795QLAZ000	Cushion	3	
17		Tube outlet	1	
17A	13999QLG1000 QM125-7A.11.1-09	Plug pipe	1	
18	13853QMM4000 QM200-2D.11.1-02	Tube outlet	1	
19	13878QLAZ000 K157FMI.11-10	Tube drain	1	

FIG.C1



C 1

FIG.C1

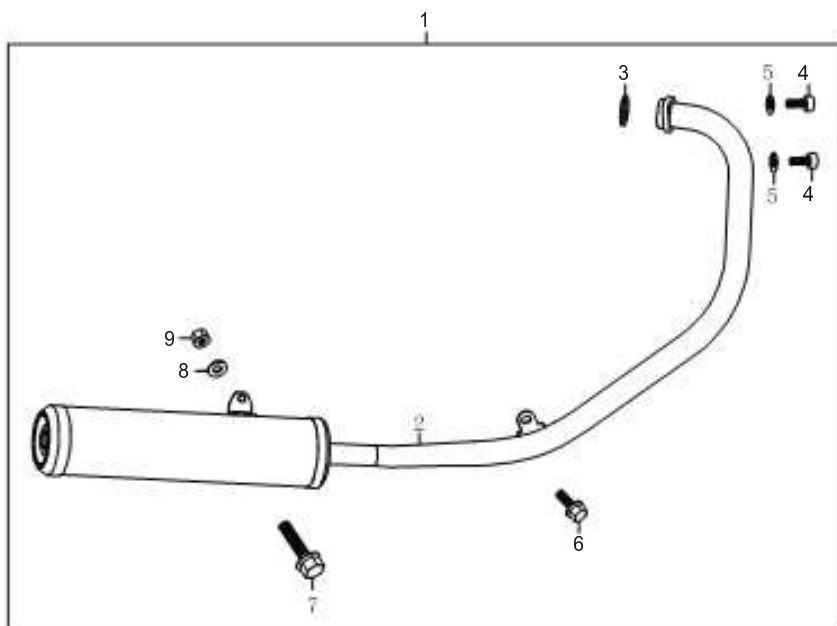
ВОЗДУШНЫЙ ФИЛЬТР

Ref.No.	Part No.	Description	Q'ty	Remarks
20	<u>13877OLA2000</u> K157FMI.11-11	Plug pipe	1	
21	<u>09401Q134001</u> K157FMI.11-1	Clip	4	
22		Clip	2	
23	<u>K157FMI.11.2-4</u>	Nut	2	
24	<u>01631Q060121</u> GB/T9074.17	Bolt M6x12	2	



QM200-2D

FIG.C2



C 2

FIG.C2

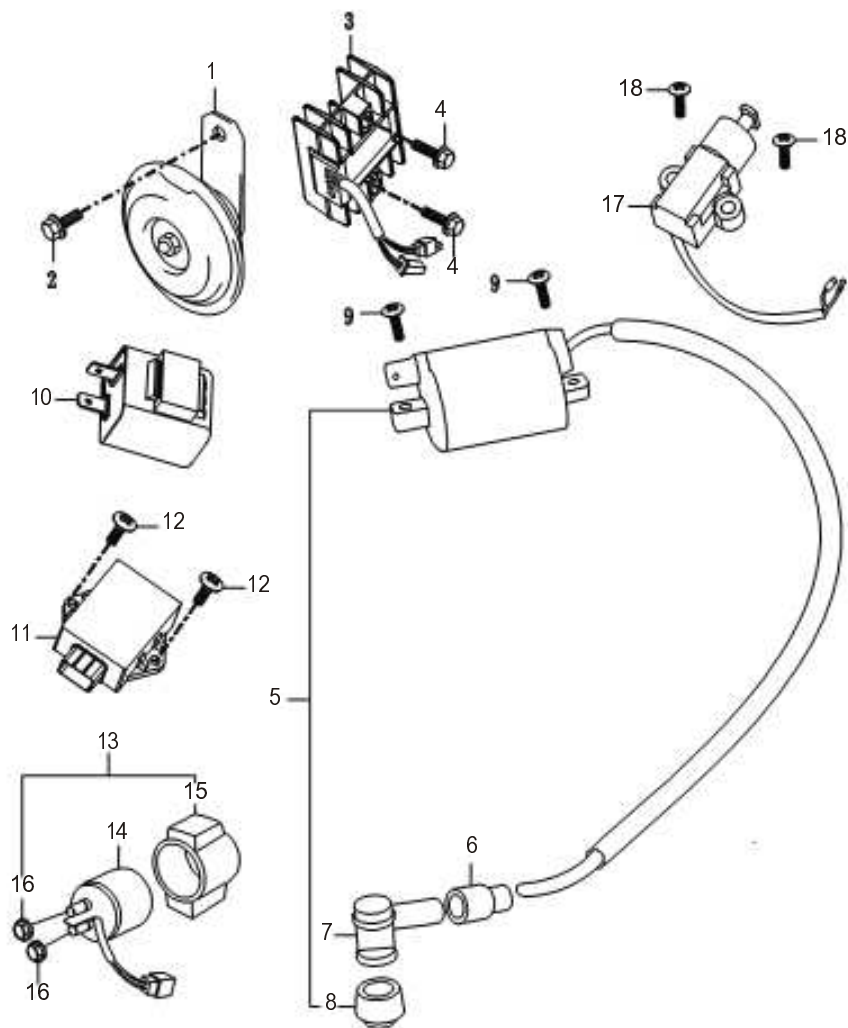
ГЛУШИТЕЛЬ

Ref.No.	Part No.	Description	Q'ty	Remarks
1	<u>14300QMM4000</u> QM200-2D.09-00	Muffler Comp	1	
2	<u>14301QMM4000</u> QM200-2D.09.1-00	Exhaust Muffler	1	
3	<u>14181QMMK000</u> K166FML.09-03	Gasket, exhaust pipe	1	
4	<u>03614Q008255</u> GB/T70.1-2000	Bolt M8x25	2	
5	<u>05421Q011081</u> GB/T93-1987	Lock washer 8	2	
6	<u>02304Q080121</u> GB/T5789-1986	BoIt M8x12	1	
7	<u>02404Q100401</u> GB/T16674.2-2004	Bolt M10x40x1.25	1	
8	<u>05420Q051101</u> GB/T96.1-2002	Washer 10	1	
9	<u>05409Q101101</u> GB/T6187.2-2000	Nut M10x1.25	1	



QM200-2D

FIG.C3



QM200-2D

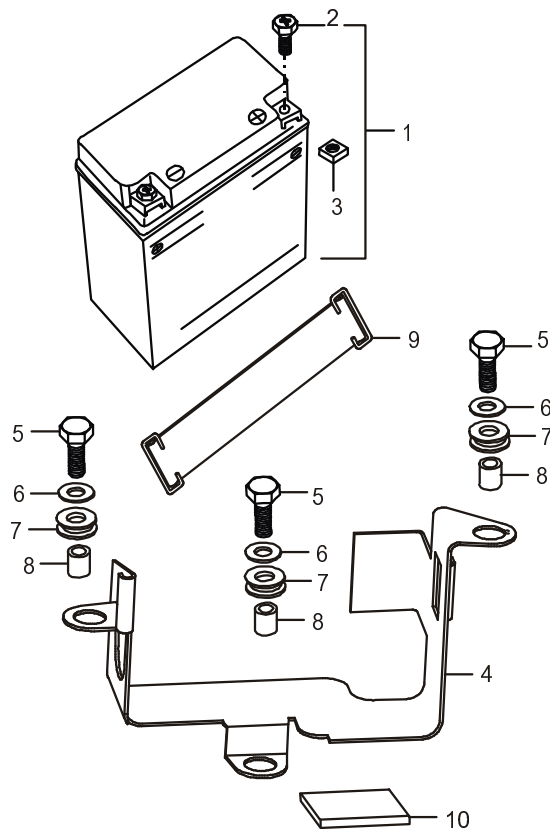
C 3

FIG.C3

ЭЛЕКТРИЧЕСКИЕ ЧАСТИ

Ref.No.	Part No.	Description	Q'ty	Remarks
1	38501QAA2000 QM125-10V.63-00(EC)	Horn assy 12V3A	1	
2	02104Q080122 GB/T16674.1-2004	Bolt M8x12	1	
3	32801QLAZ000 QM125-2.71-00	Rectifier & Regulator comp	1	
4	02304Q060201 GB/T5789-1986	Bolt M6x20	2	
5	33400QMM4000	Ignition Coil Assembled	1	
6	K166FML.07.3-02	Cap, Terminal	1	
7	K166FML.07.2-3	Cap, Spark Plug	1	
8	K166FML.07.2-2	Seal, Spark Plug	1	
9	03411Q050204 GB/T818-2000	Screw M5x20	2	
10	38601QLBK000 QM125-2V.72-00	Flash assy	1	
11		C.D.I Unit comp	1	
12	09124Q060008 GB/T 973	Screw M6x16	2	
13	31800QLAZ000 QM125-2.73-00	Starter Relay Assembled	1	
14		Starter Relay Assembled	1	
15	QM125-2.70-01	Rubber Map	1	
16	GB/T41	Nut M6	4	
17	37803QEDZ000 QM125T-4.91-00	Starter Relay Assembled	1	
18	03414Q050162 GB/T818-2000	Screw M5x16	2	

FIG.C4



QM200-2D

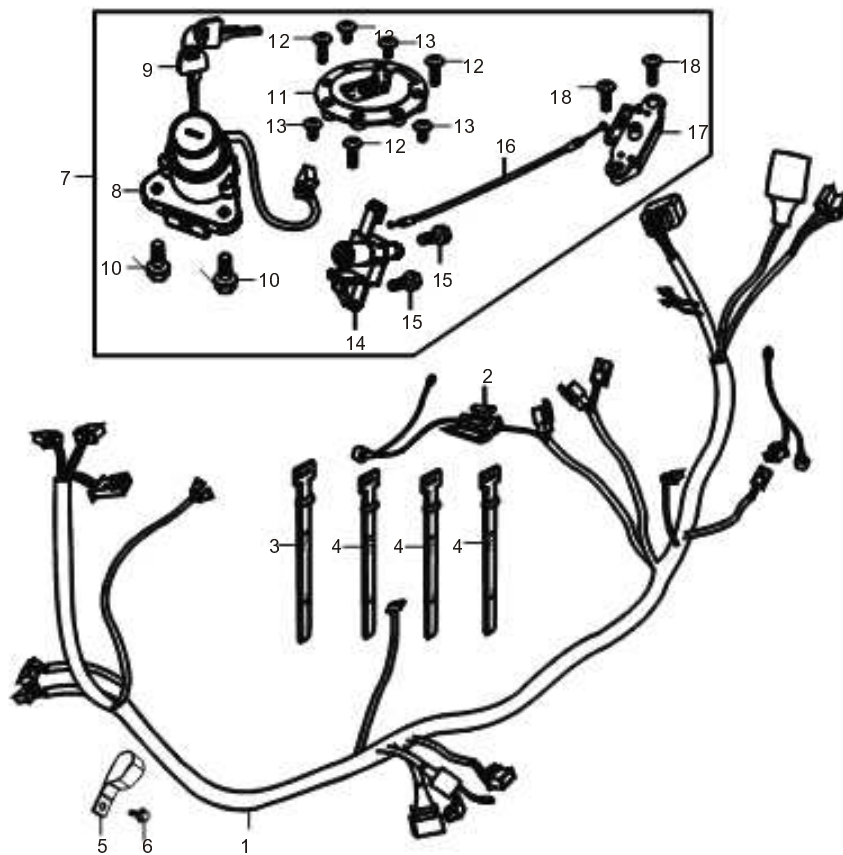
C4

FIG.C4

АККУМУЛЯТОР

Ref.No.	Part No.	Description	Q'ty	Remarks
1	<u>33601QMNZ000</u> QM200GY.60.1-00	Battery 12V 9AH	1	
2	<u>01102Q060101</u> GB/T29.2-1988	Bolt M6x10	2	
3	<u>05405Q012061</u> GB/T39-1988	Nut M6	2	
4	<u>41540QMM4000</u> QM200-2D.60.1-00	Holder assembled	1	
5	<u>01401Q060201</u> GB/T5781-2000	Battery	3	
6	<u>05420Q071061</u> GB/T96.2-2002	Bolt M6x20	3	
7	<u>09320Q080002</u> QM125-2.60-2	Washer 6	3	
8	<u>09180Q060001</u> QM125-2.60-3	Seal, rubber	3	
9	<u>09462Q000001</u> QM125-2.60.2-00	Seal	1	
10		Band, Battery Cushion, rubber	5	

FIG.C5



QM200-2D

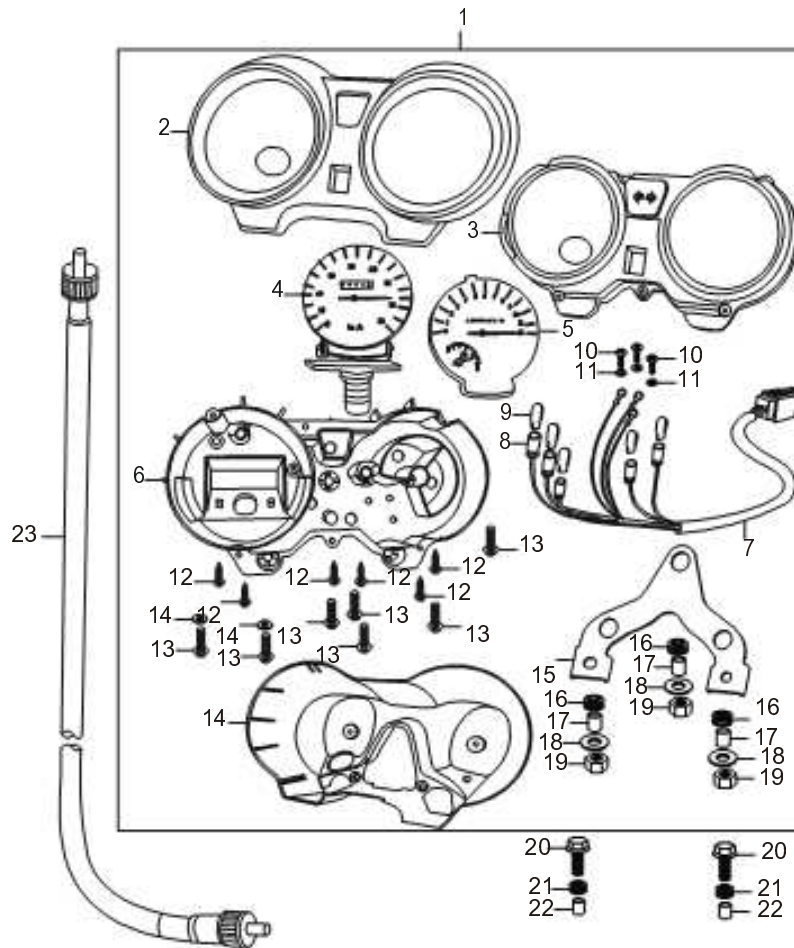
C5

FIG.C5

ПРОВОДКА

Ref No	Part No	Description	Qty	Remarks
1	36610QMM4000 QM200-2D.67.1-00	Hiring harness	1	
2		Fuse	1	
3	09407O204001 ZD200x7	Band, nylon	1	
4	09407O154002 ZD150x7	Band, nylon	3	
5	36651QKWZ000 QM110GY.30-3	Band, nylon	1	
6	02304Q060122 GB/T5789-1986	Bolt M6x12	1	
7	AS065QMM4000 QM200-2D.65-00	Lock assy	1	
8	37101QLBK000 QM125-2V.65.1-00	Lock, switch	1	
9		Key	2	
10	02304Q060202 GB/T5789-1986	Bolt M6x20	2	
11	44200OLK2090 QM125-10B(V)	Cap, fuel tank	1	
12	03614Q005225 GB/T70.1-2000	Screw M5x22	3	
13	03611Q005085 GB/T70.1-2000	Screw M5x8	4	
14	45710QLKD000 QM125-10N.65.2.1-00	Lock Seat	1	
15	02304Q060162 GB/T5789-1986	Bolt M6x16	2	
16	45280QMM4000 QM200-2D.65.1-00	Wire Assembled	1	
17	45801QLBK000 QM125-2V.65.3.1-00	Lock Seat assy	1	
18	03421Q060304 GB/T819.1-2000	Screw M6x30	2	

FIG.C6



QM200-2D

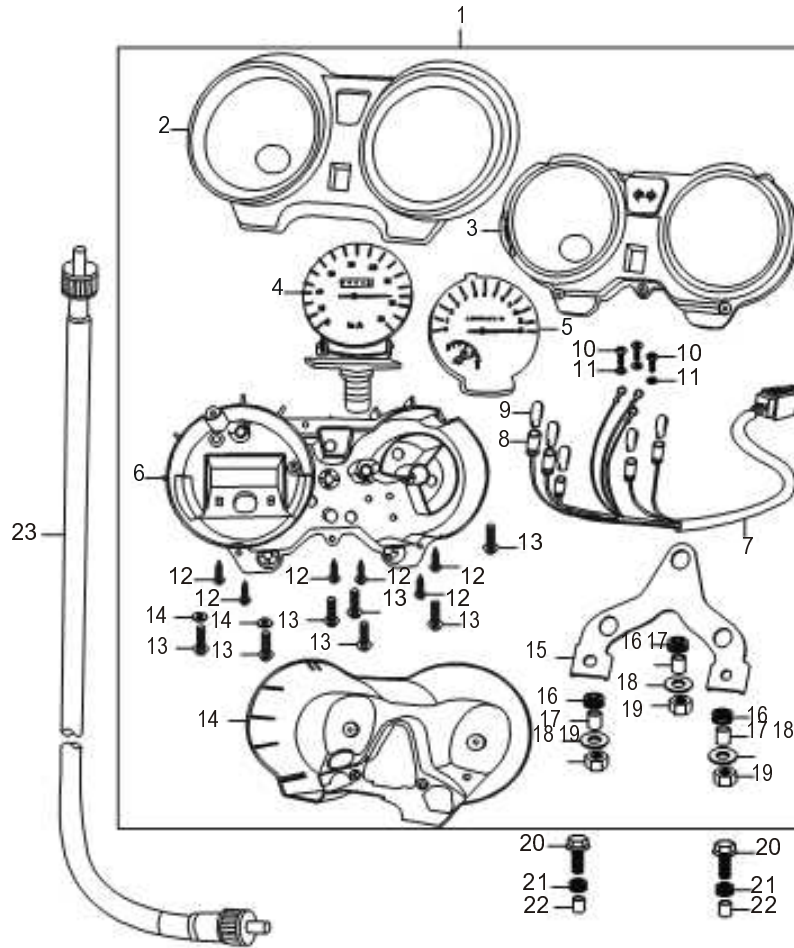
C6

FIG.C6

СПИДОМЕТР

Ref.No.	Part No.	Description	Q'ty	Remarks
1	34101QMM4000 QM200-2D.64.1-00	Speedometer assy	1	
2	34110QMM4000 QM200-2D.64.1.1-00	Upper Case	1	
3	QM200-2D.64.1.1-05	Cover	1	
4	34102QMM4000 QM200-2D.64.1.2-00	Speedometer		
5	34201QMM4000 QM200-2D.64.1.4-00	Tachometer		
6	QM200-2D.64.1.1-02	Socket	1	
7	34170QMM4000 QM200-2D.64.1.5-00	Wiring Harness	1	
8	QM200-2D.64.1.1.1-00	Socket Assy	5	
9	07112Q020202 GB/T15766.3-2000	Bulb W2W	5	
10	GB/T818-85	Screw ST4.2x16	3	
11	GB/T96	Washer 5	3	
12	04010Q020801 GB/T845-1985	Screw ST2.9x8	6	
13	GB/T845-85	Screw M5x16	7	
14	34112QMM4000 QM200-2D.64.1-03	Lower Case	1	
15	34113QMM4000 QM200-2D.64.1-02	Board	1	
16	34191QMM4000 QM200-2D.64.1-04	Spacer	3	
17	QM125-2.60-3	Spacer	3	
18	05420Q071064 GB/T96.2-2002	Washer 6	3	
19	05402Q012064 GB/T6175-2000	Nut M6	3	
20	02304Q060202 GB/T5789-1986	Bolt M6x20	2	

FIG.C6



QM200-2D

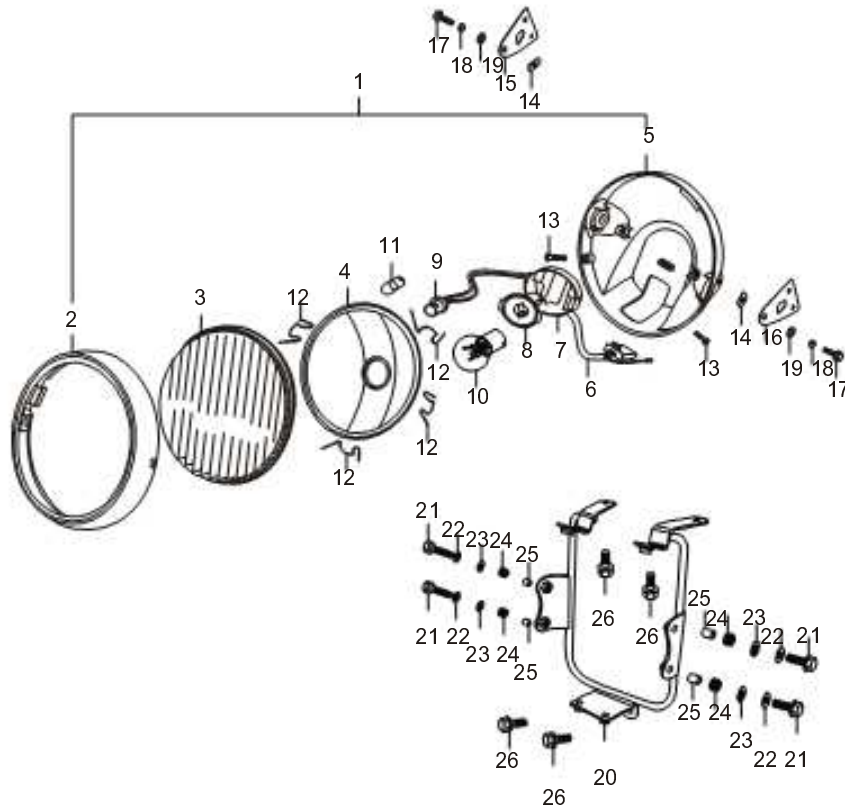
C6

FIG.C6

СПИДОМЕТР

Ref.No.	Part No.	Description	Q'ty	Remarks
21	09161Q090002 QM200-2D.62.1-02	Gasket	2	
22	09180Q060007 QM200-2D.62.1-01	Spacer	2	
23	34910QED4000 QM125T-4D.64.2-00	Cable, speedometer	1	

FIG.C7



QM200-2D

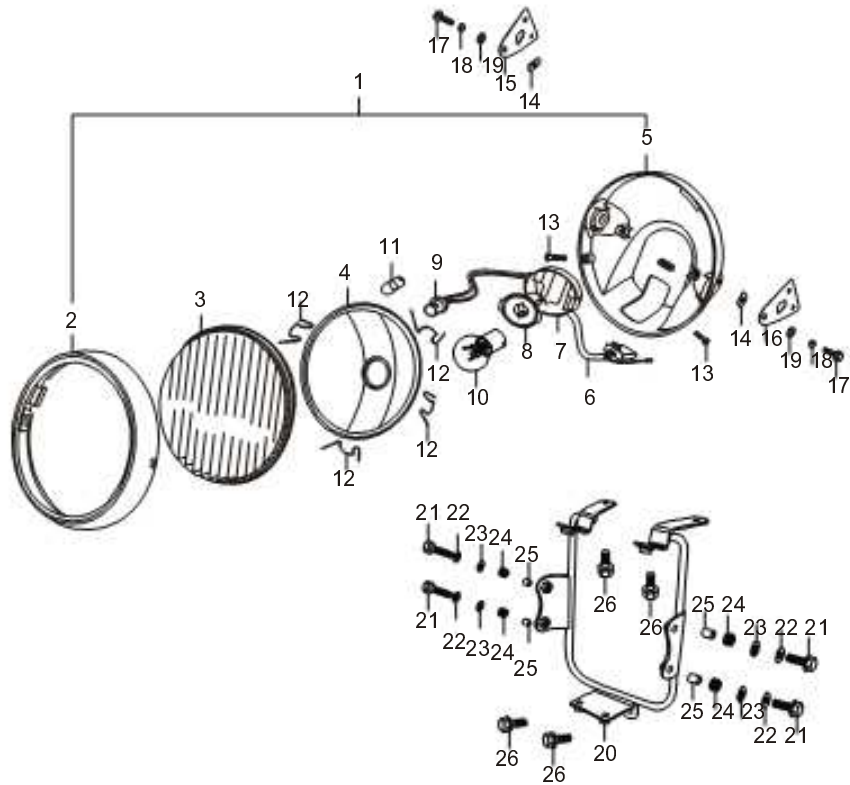
C7

FIG.C7

ΦAPA

Ref.No.	Part No.	Description	Q'ty	Remarks
1	<u>35101QLB1020</u>	Headlamp assy	1	
2	<u>QM125-2A(IA).62.1.1-00</u> <u>35110QLB1020</u>	Lamp Frame	1	
3	<u>QM125-2A(IA).62.1.1.1-00</u> <u>35124QLB1020</u>	Lens	1	
4	<u>QM125-2A(IA).62.1.1-2</u> <u>35123QLB1020</u>	Glisten	1	
5	<u>QM125-2A(IA).62.1.1-1</u> <u>51811QLB1020</u>	Cover	1	
6	<u>QM125-2A(IA).62.1.1-6</u> <u>35180QLB1020</u>	Wiring Harness	1	
7	<u>QM125-2A(IA).62.1.1.3-00</u> <u>35161QLB1020</u>	Dustproof Cover	1	
8	<u>QM125-2A(IA).62.1.1-5</u> <u>35170QLB1020</u>	Lamp Holder	1	
9	<u>QM125-2A(IA).62.1.1.2-00</u> <u>36120QLB1020</u>	Lampshade Seat	1	
10	<u>QM125-2A (IA) .62.1.1.3-00</u> <u>GB/T15766.1-2000</u>	Bulb S2 12V35/35W	1	
11	<u>GB/T15766.1-2000</u> <u>35127QLB1020</u>	Bulb W5W 12V5W	1	
12	<u>QM125-2A(IA).62.1.1-3</u> <u>03411Q050163</u>	Clip	4	
13	<u>GB/T818-2000</u> <u>51827QLB1020</u>	Screw M5x16	2	
14	<u>QM125-2A(IA).62.1.1-1</u> <u>51530QMM4000</u>	Cushion	2	
15	<u>QM200-2D.62.1.3-00</u> <u>51540QMM4000</u>	Board Assy, R	1	
16	<u>QM200-2D.62.1.2-00</u> <u>02104Q080252</u>	Board Assy, L	1	
17	<u>GB/T16674-2004</u> <u>05420Q022083</u>	Bolt M8x25	2	
18	<u>GB97.1-85</u>	Washer 8	2	
19	<u>05421Q011083</u>	Lock washer 8	2	
20	<u>51590QMM4000</u> <u>QM200-2D.31.4-00</u>	Bracket	1	

FIG.C7



C7

FIG.C7

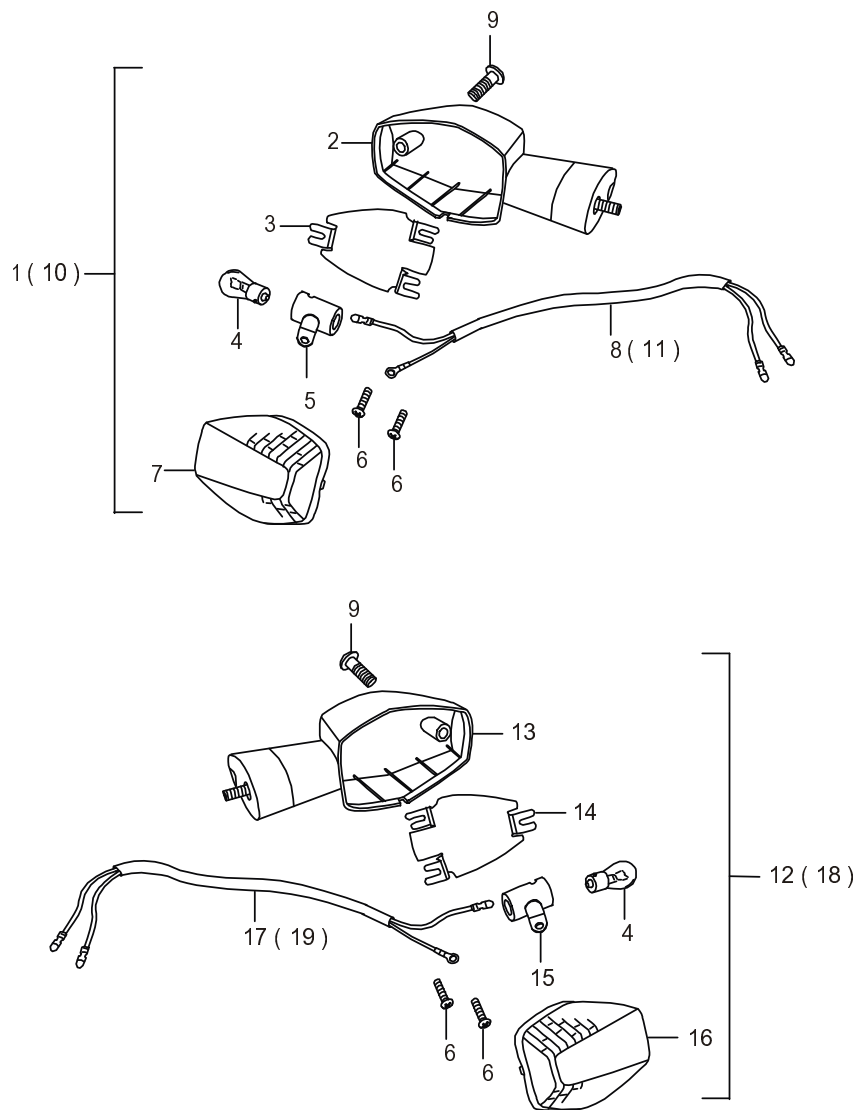
ΦAPA

Ref.No.	Part No.	Description	Q'ty	Remarks
21	02304Q060201 GB/T5789-1986	Bolt M6x20	4	
22	05420Q011061 GB/T95-2002	Washer 6	4	
23	05421Q011061 GB/T93-1987	Lock washer 6	4	
24	09161Q090002 QM200-2D.62.1-02	Gasket	4	
25	09180Q060007 QM200-2D.62.1-01	Spacer	4	
26	02304Q060122 GB/T5789-1986	Bolt M6x12	4	



QM200-2D

FIG.C8



QM200-2D

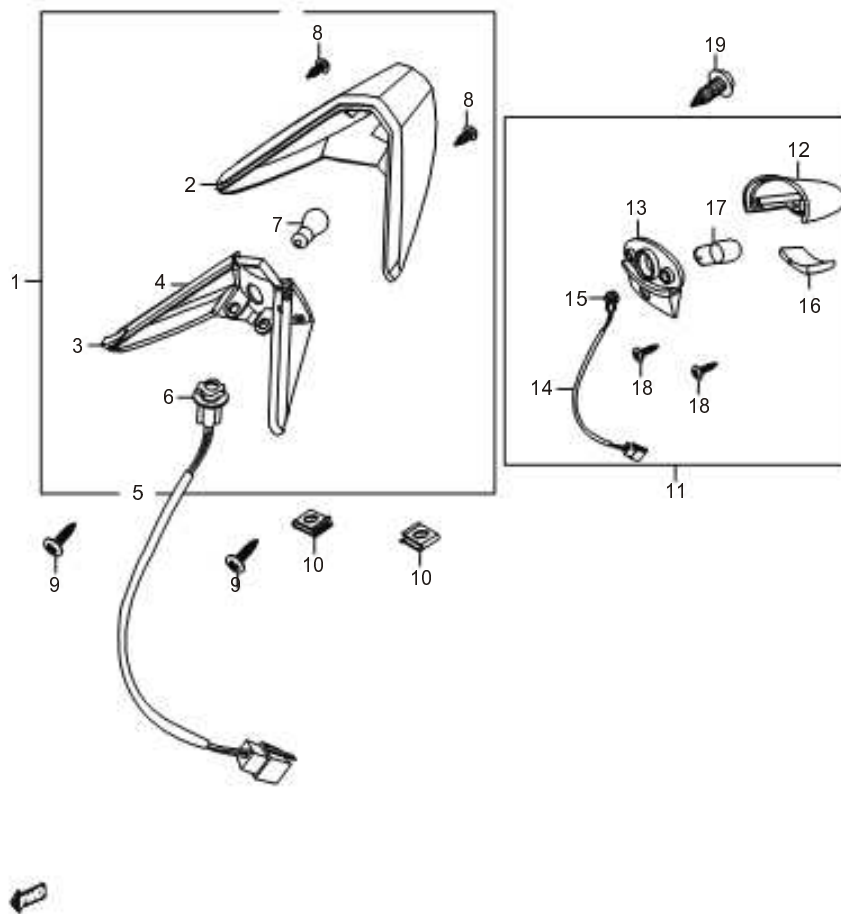
C8

FIG.C8

УКАЗАТЕЛИ ПОВОРОТОВ

Ref.No.	Part No.	Description	Q'ty	Remarks
1	<u>35601QMM4000</u> QM200-2D.62.3.1-00	Lamp Assy, Front Turn, Rh	1	
2		Shuck	2	
3		Con-socket, winker	2	
4		Bulb R10	4	
5		Rubber, Winker	2	
6		Screw ST3.5x25	8	
7		Lens	2	
8		Wiring Harness, Front Turn, Rh	1	
9		Screw ST4.2x12	4	
10	<u>35604QMM4000</u> QM200-2D.62.3.4-00	Lamp Assy, Rear Turn, Lh	1	
11		Wiring Harness, Rear Turn, Lh	1	
12	<u>35602QMM4000</u> QM200-2D.62.3.2-00	Lamp Assy, Front Turn, Lh	1	
13		Shuck	2	
14		Con-socket, winker	2	
15		Rubber, Winker	2	
16		Lens	2	
17		Wiring Harness, Front Turn, Lh	1	
18	<u>35603QMM4000</u> QM200-2D.62.3.3-00	Lamp Assy, Rear Turn, Rh	1	
19		Wiring Harness, Rear Turn, Rh	1	

FIG.C9



QM200-2D

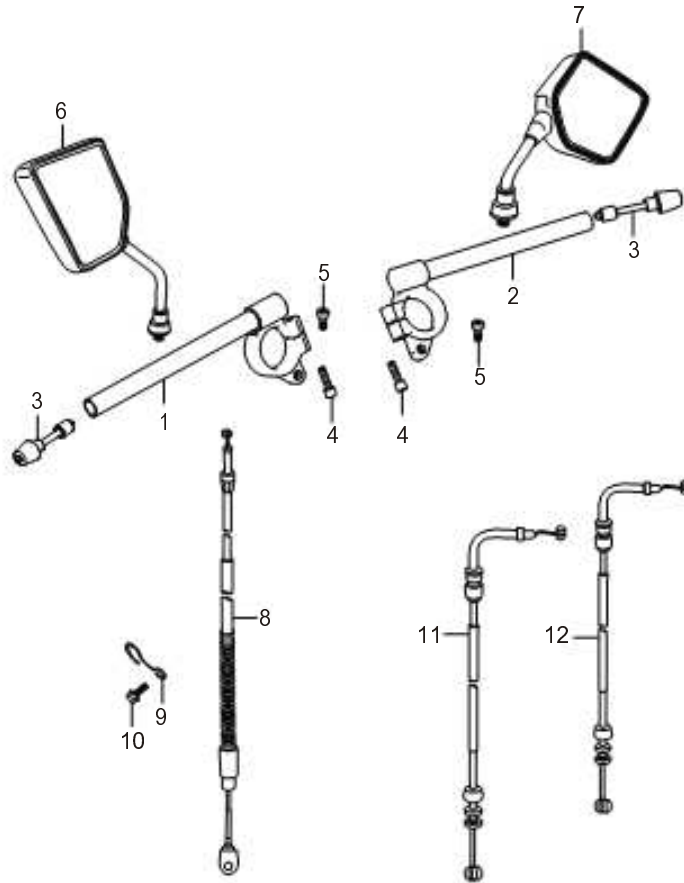
C9

FIG.C9

ФОНАРЬ ЗАДНИЙ

Ref.No.	Part No.	Description	Q'ty	Remarks
1	<u>35701QMM4000</u> QM200-2D.62.1.1-00	Lamp Assembled Rear	1	
2	<u>35712QMM4000</u> QM200-2D.62.1.1-01	Comb	1	
3	<u>35715QMM4000</u> QM200-2D.62.1.1-03	Lens	1	
4	<u>35713QMM4000</u> QM200-2D.62.1.1-02	Lamp Shell	1	
5	<u>35730QMM4000</u> QM200-2D.62.1.1.1-00	Gasket	1	
6	<u>35740QMM4000</u> QM200-2D.62.1.1.2-00	Socket tail	1	
7	<u>07110Q007121</u> GB15766.1-2000	Wiring Harness	1	
8	<u>04010Q041201</u> GB/T845-1985	Bulb P21/5W	1	
9	<u>04020Q041302</u> GB/T845-1985	Screw ST4.2x13	2	
10	<u>09148Q040001</u> AG50.38-3	Screw ST4.2x13	2	
11	<u>35903QMM4000</u> QM200-2D.62.2.1-00	Nut ST4.2	2	
12	<u>35915QMM4000</u> QM200-2D.62.2-00	Lamp, license plate	1	
13	<u>35921QMM4000</u> QM200-2D.62.2-00	Lens	1	
14	<u>35940QMM4000</u> QM200-2D.62.2-00	Lamp Shell	1	
15	<u>35930QMM4000</u> QM200-2D.62.2.1-00	Wiring Harness	1	
16	<u>35914QMM4000</u> QM200-2D.62.2-00	Lamp Holder	1	
17	<u>07110Q011121</u> GB15766.1-2000	Lamp chimney	1	
18	<u>04010Q020956</u> GB/T1845-1985	Bulb W5W	1	
19	<u>04020Q041602</u> GB/T845-1985	Screw ST2.9x9.5	2	
		Screw ST4.2x13	1	

FIG.C10



QM200-2D

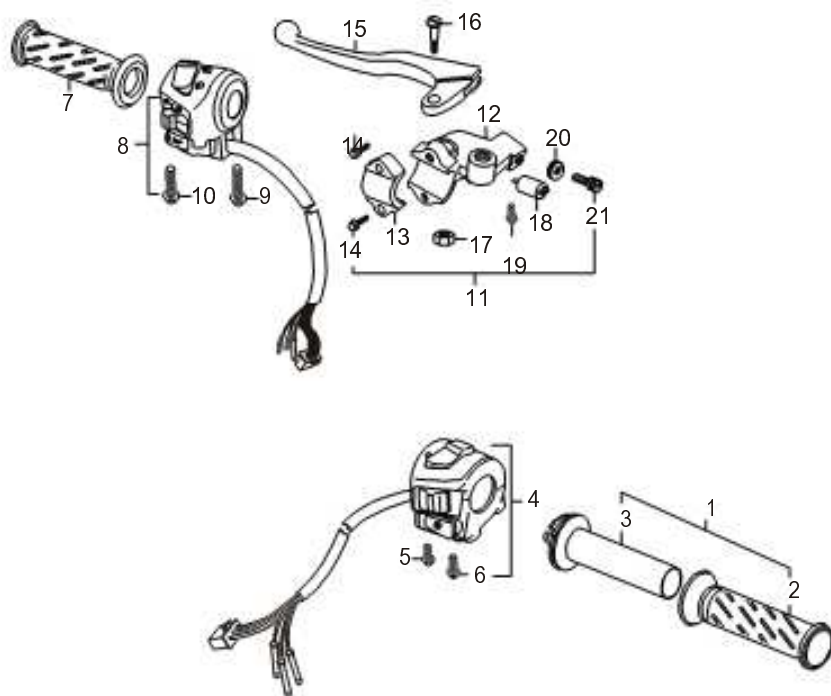
C10

FIG.C10

РУЛЬ

Ref.No.	Part No.	Description	Q'ty	Remarks
1	56150QMM4000 QM200-2D.32.2-00	Handle Bar Weld Assembled L	1	
2	56110QMM4000 QM200-2D.32.1-00	Handle Bar Weld Assembled R	1	
3	56270QLB1020 QM125-2A(1A).32.4-00	Balancer Assembled	2	
4	03614Q008305 GB/T70.1	Screw M8x30	2	
5	03614Q006255 GB/T70.1	Screw M6x25	2	
6	566010QMN2000 QM200GY-B.32.4.2-00	Mirror assy, rear view LH	1	
7	565010QMN2000 QM200GY-B.32.4.1-00	Mirror assy, rear view RH	1	
8	58200QLAZ000 QM125-2.32.6-00	Cable, clutch	1	
9	41451QKWZ000 QM110GY.30-2	Clamp I	1	
10	02304Q060122 GB/T5789-1986	Bolt M6x12	1	
11	58301QMM4000 QM200-2D.32.3-00	Cable, throttle Assembled	1	
12	58302QMM4000 QM200-2D.32.4-00	Cable, throttle Assembled	1	

FIG.C11

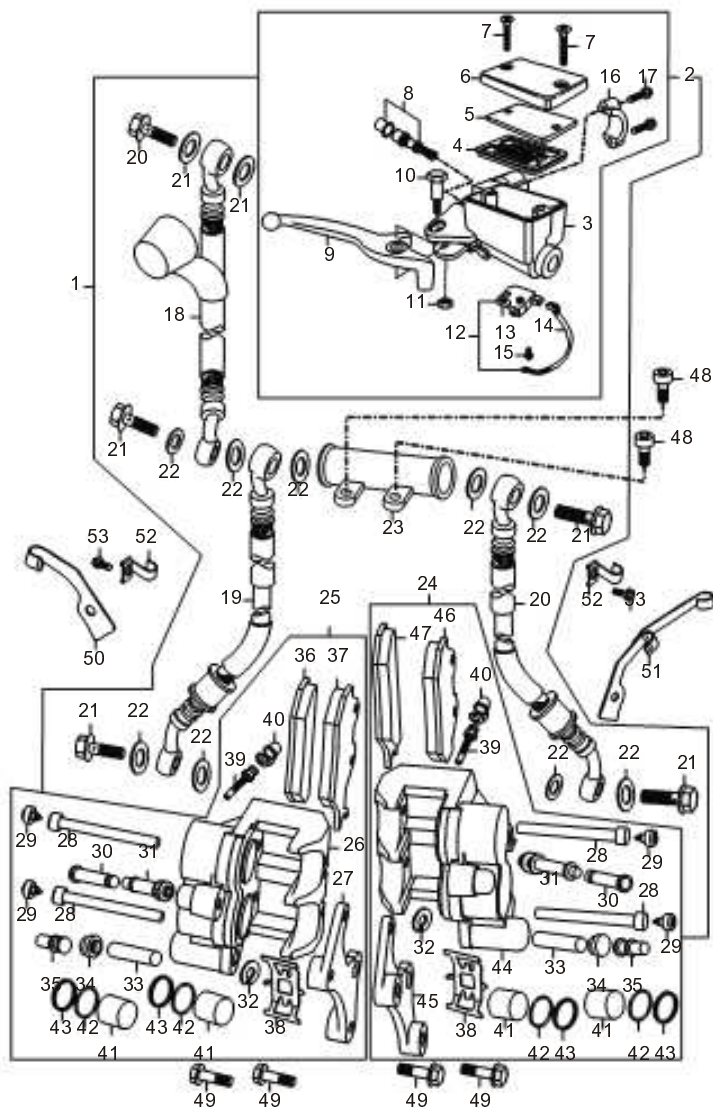


 QM200-2D

C11
FIG C11 ПЕРЕКЛЮЧАТЕЛИ РУЛЕВЫЕ

Ref.No.	Part No.	Description	Q'ty	Remarks
1	57110QMD2000	Grip, throttle	1	
2		Grip right	1	
3		Tube, throttle	1	
4	37200QMD2000 QM150L-4B.66.2-00	Switch assy, RH	1	
5	03451Q050201 GB823-85	Screw M5x20	1	
6	03451Q050281 GB823-85	Screw M5x28	1	
7	57211QMD2000 QM150L-4B.32.3-02	Grip, LH	1	
8	37400QMD2000 QM150L-4B.66.1-00	Switch assy, handle LH	1	
9	03451Q050451 GB/T823	Screw M5x45	1	
10	03451Q050301 GB/T823	Screw M5x30	1	
11	57500QMD2000 QM150L-4B.32.2-00	Lever assy, brake LH	1	
12	57531QMD2000 QM150L-4B.32.2-06	Bracket, lever LH	1	
13	57511QMD2000 QM150L-4B.32.2-05	Upper case	1	
14	02104Q060221 GB/T16674-96	Bolt M6x22	2	
15	57621QMD2000 QM150L-4B.32.2-01	Brake lever, LH	1	
16	57634QMD2000 QM150L-4B.32.2-07	Bolt	1	
17	05409Q081061 GB6187.1-2000	Nut M6	1	
18	QM200-2A.32	Clutch switch	1	
19	GB/T818	Screw M3x18	1	
20	57542QMD2000 QM150L-4B.32.2-03	Adjusting nut	1	
21	57541QMD2000 QM150L-4B.32.2-04	Adjusting screw	1	

FIG.C12



QM200-2D

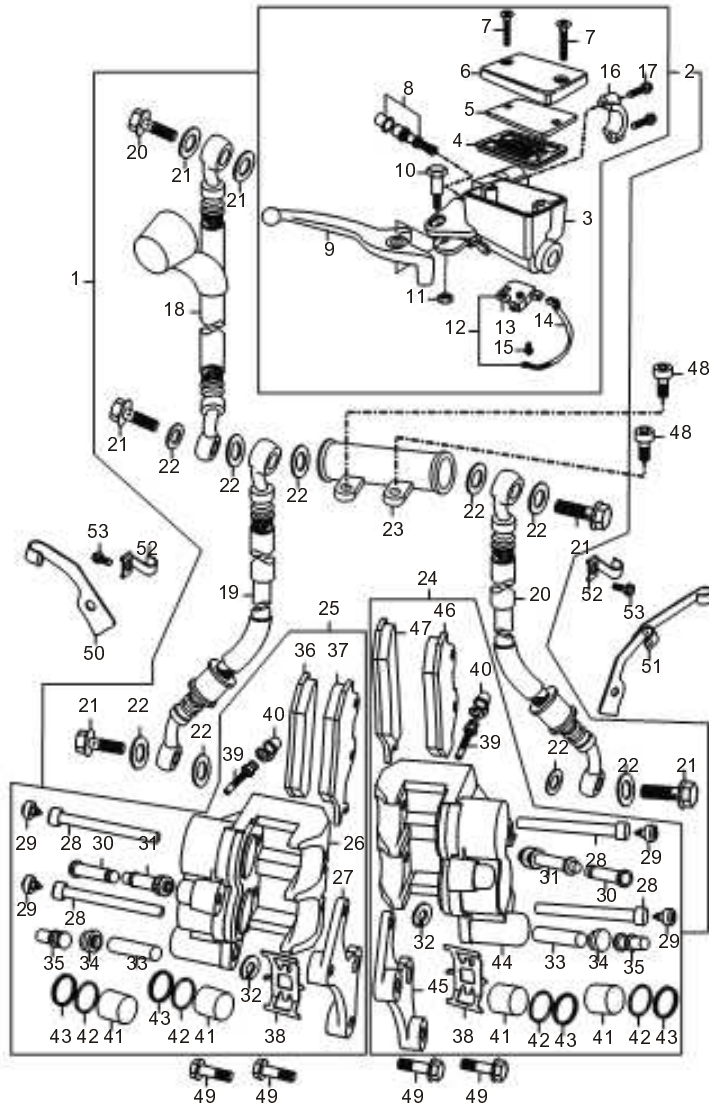
C12

FIG.C12

ПЕРЕДНИЙ ТОРМОЗ

Ref.No.	Part No.	Description	Q'ty	Remarks
1	<u>59000QMM4000</u> QM200-2D	Disk brake assy, front	1	
2	<u>59600QMM1000</u> QM200-2A.83	Master cylinder assy	1	
3		Reservoir	1	
4		Gasket	1	
5		Gasket II	1	
6		Cap, reservoir	1	
7		Screw	2	
8		Piston	1	
9	57421QMM1000	Lever, front brake	1	
10	57431QMM1000	Bolt	1	
11		Nut M6	1	
12		Switch assy, stop lamp	1	
13		Switch, stop lamp	1	
14		Cable assy	1	
15		Screw M4x10	1	
16	<u>59671QMM1000</u> QM200-2A.83	Bracket, master cylinder	1	
17		Bolt M6x25	2	
18	<u>59510QMM4000</u> QM200-2D.83.1-00	Front Braket Ube	1	
19	<u>59280QMM4000</u> QM200-2D.83.2-00	Front Braket Ube I	1	
20	<u>59480QMM4000</u> QM200-2D.83.5-00	Front Braket Ube II	1	

FIG.C12



QM200-2D

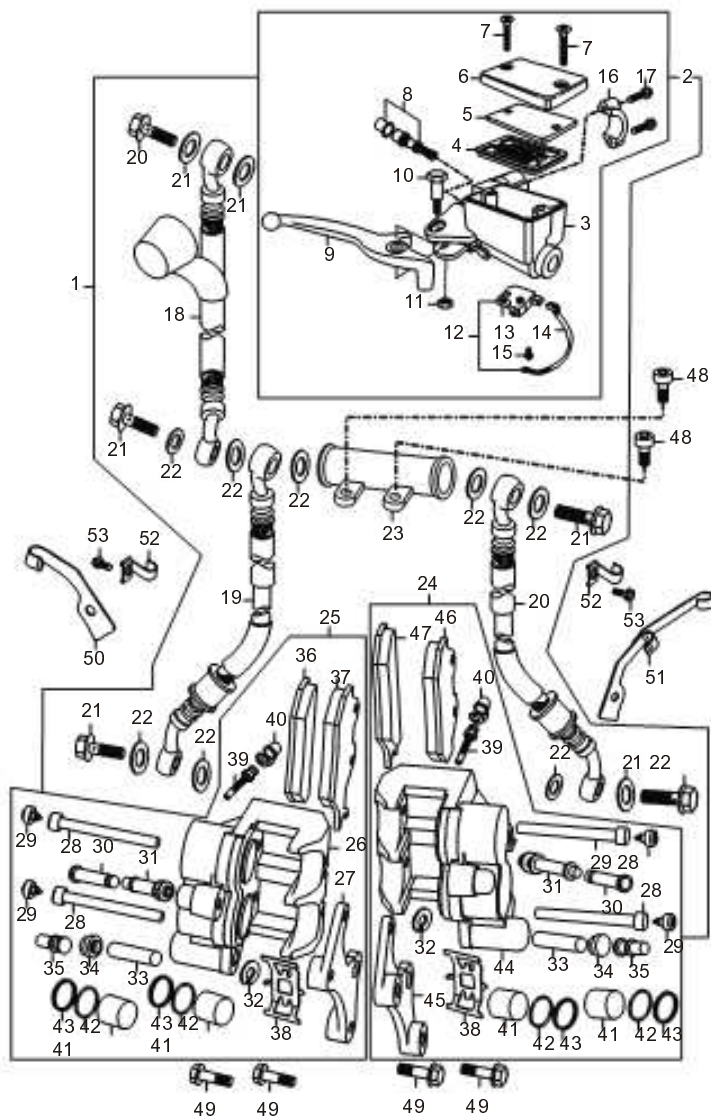
C12

FIG.C12

ПЕРЕДНИЙ ТОРМОЗ

Ref.No.	Part No.	Description	Q'ty	Remarks
21	09360Q100001 GS125.83-04	Bolt	5	
22	09161Q100001 GS125.83-5	Washer	11	
23	59541QMM4000 QM200-2D.83-02	Connectivity	1	
24	59300QMM4000 QM200-2D.3-00	Brake caliper assy, L	1	
25	59100QMM4000 QM200-2D.83.4-00	Brake caliper assy, R	1	
26	59161QMM4000 QM200-2D.83.3-01	Pump, apply the brake R	1	
27	59150QMM4000 QM200-2D.83.3.1-00	Pump, apply the brake R	1	
28	59127QMM4000 QM200-2D.83.3-11	Post	4	
29	59129QMM4000 QM200-2D.83.3-15	Bolt	4	
30	59126QMM4000 QM200-2D.83.3-10	Pin	2	
31	59183QMM4000 QM200-2D.83.3-09	Boot, guide pin	2	
32	05421Q014083	Lock washer	2	
33	59125QMM4000 QM200-2D.83.3-12	Pin	2	
34	59112QMM4000 QM200-2D.83.3-13	Cap, main pin	2	
35	59128QMM4000 QM200-2D.83.3-14	Guide pin	2	
36	59130QMM4000 QM200-2D.83.3.3-00	Friction piece assy, inside	1	
37	59140QMM4000 QM200-2D.83.3.2-00	Friction piece assy, outside	1	
38	59115QMM4000 QM200-2D.83.3-06	Spring, pad	2	
39	59121QMM4000 QM200-2D.83.3-05	Deflate mouth	2	
40	59122QMM4000 QM200-2D.83.3-04	Cap, bleeder	2	

FIG.C12



QM200-2D

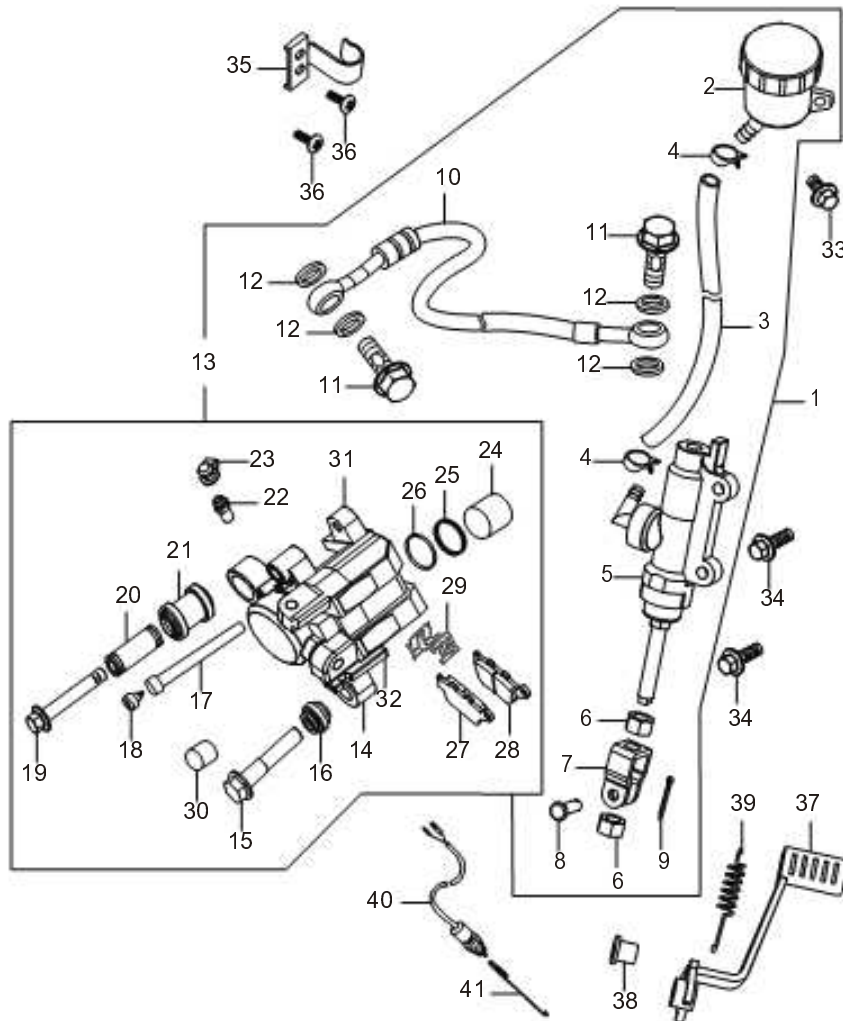
C12

FIG.C12

ПЕРЕДНИЙ ТОРМОЗ

Ref.No.	Part No.	Description	Q'ty	Remarks
41	59173QMM4000 QM200-2D.83.3-03	Piston set	4	
42	59191QMM4000 QM200-2D.83.3-08	Seal, piston	4	
43	59193QMM4000 QM200-2D.83.3-07	Boot, piston dust	4	
44		Pump, apply the brake L	1	
45		Pump, apply the brake R	1	
46		Friction piece assy, inside	1	
47		Friction piece assy, outside	1	
48	03614Q006162 GB/T70.1-2000	Screw M6x16	2	
49	02304Q080351 GB/T5789-1986	Bolt M8x35	4	
50	59468QMM4000	Clamp II	1	
51	QM200-2D.83-04 59440QMM4000 QM200-2D.83.6-00	Clamp I	1	
52	59446QMM4000	Clamp	2	
53	QM200-2D.83-06 02304Q060122 GB/T5789-1986	Bolt M6x12	2	

FIG.C13



QM200-2D

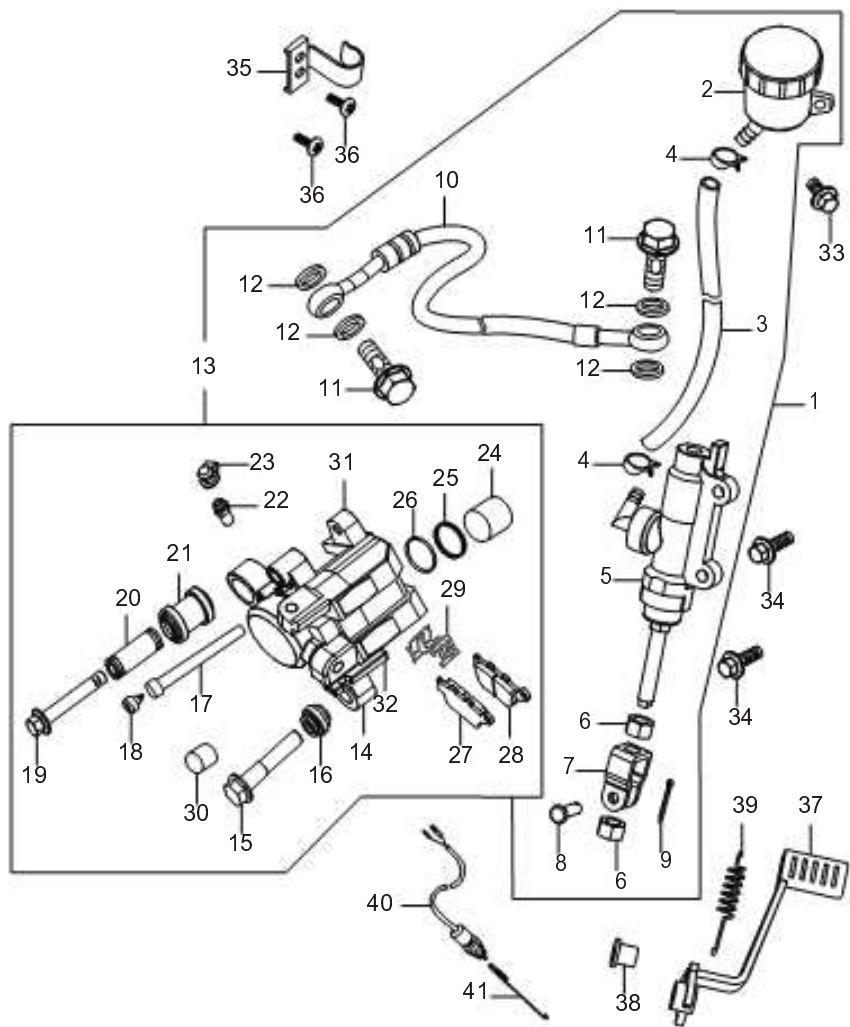
C13

FIG.C13

ЗАДНИЙ ТОРМОЗ

Ref.No.	Part No.	Description	Q'ty	Remarks
1	43100QMM4000 QM200-2D.48-00	Disk brake assy, rear	1	
2	69740QMM4000 QM200-2D.48.5-00	Oil Cup Assembled	1	
3	69731QMM4000 QM200-2D.48-04	Oil Pipe	1	
4	69791QMM4000 QM200-2D.48-08	Clip	2	
5	69600QMM4000 QM200-2D.48.3-00	Pump Assembled	1	
6	GB/T41	Nut M8	2	
7	QM200GY-A.48.3-12	Adjust nut	1	
8	09200Q060004 QM200-2D.48-10	Pin, Axis	1	
9	04411Q200201 GB/T91-2000	Pin 2x20	1	
10	69280QMM4000 QM200-2D.48.2-00	Soft Tube	1	
11	69291QMM4000 QM200-2D.48-07	Bolt	2	
12	69293QMM4000 QM200-2D.48-06	Washer	4	
13	69100QMM4000 QM200-2D.48.4-00	Brake caliper assy,	1	
14	69161QMM4000 QM200-2D.48.1-00	rear Brake Pump	1	
15	69125QMM4000 QM200-2D.48.4-13	Pin	1	
16	69113QMM4000 QM200-2D.48.4-14	Cap, main pin	1	
17	69155QMM4000 QM200-2D.48.4-11	Guide pin	1	
18	69158QMM4000 QM200-2D.48.4-12	Nut	1	
19	69126QMM4000 QM200-2D.48.4-07	Pin	1	
20	69181QMM4000 QM200-2D.48.4-06	Post	1	
21	69183QMM4000 QM200-2D.48.4-05	Boot, post	1	

FIG.C13



QM200-2D

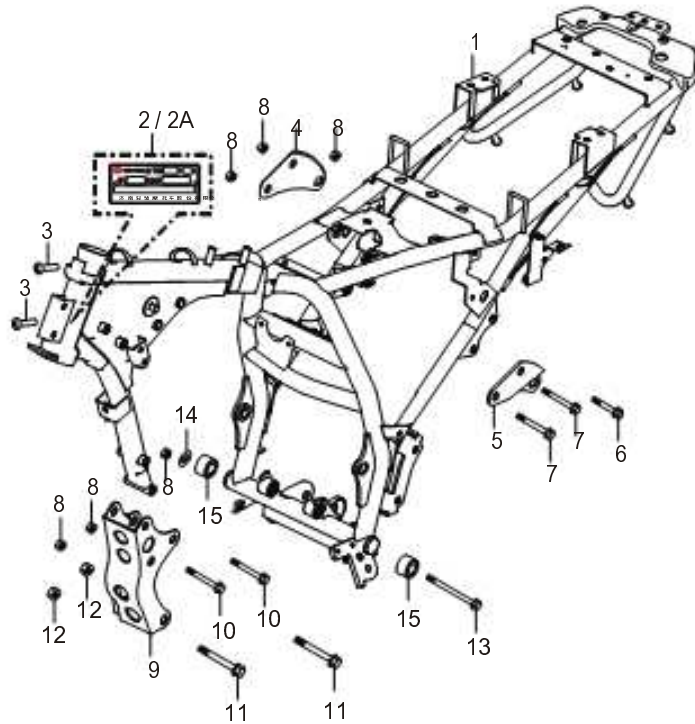
C13

FIG.C13

ЗАДНИЙ ТОРМОЗ

Ref.No.	Part No.	Description	Q'ty	Remarks
22	69121QMM4000 QM200-2D.48.4-03	Deflate mouth	1	
23	69122QMM4000 QM200-2D.48.4-02	Cap, bleeder	1	
24	69173QMM4000 QM200-2D.48.4-08	Piston set	1	
25	69191QMM4000 QM200-2D.48.4-08	Seal, piston	1	
26	69192QMM4000 QM200-2D.48.4-10	Boot, piston dust	1	
27	69130QMM4000 QM200-2D.48.4.3-00	Friction piece assy, inside	1	
28	69140QMM4000 QM200-2D.48.4.2-00	Friction piece assy, outside	1	
29	69115QMM4000 QM200-2D.48.4-15	Spring, pad	1	
30	69722QMM4000 QM200-2D.48.4-16	Bush	1	
31	69721QMM4000 QM200-2D.48.4-01	Carrier set, calipers	1	
32	69723QMM4000 QM200-2D.48.4-04	Shim, pad	1	
33	02304Q060161 GB/T5789-1986	Bolt M6x16	1	
34	02304Q060201 GB/T5789-1986	Bolt M6x20	2	
35	69781QMM4000 QM200-2D.48-11	Clip	1	
36	03414Q050162 GB/T818-2000	Screw M5x16	2	
37	43110QMM4000 QM200-2D.48.1-00	Pedal brake	1	
38	43231QMM4000 QM200-2D.48-03	Spacer	1	
39	09443Q140007 QM200-2D.48-02	Spring	1	
40	33701QLAZ000 QM125-2.79R-00	Switch, stop lamp	1	
41	09443Q060012 QM200-2D.66-01	Spring	1	

FIG.C14



QM200-2D

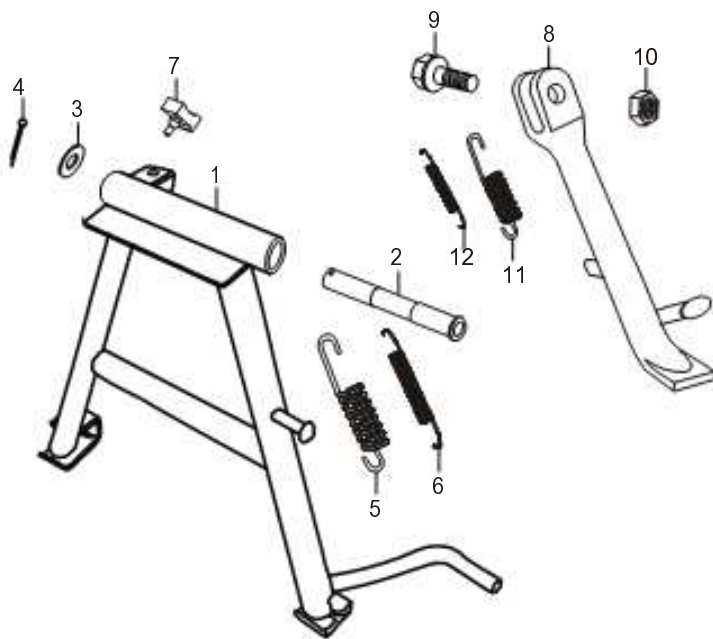
C14

FIG.C14

PAMA

Ref.No.	Part No.	Description	Q'ty	Remarks
1	<u>41100QMM4000</u> QM200-2D.30.1-00	Body Comp Frame	1	
2	<u>09600Q000001</u> QM200-2D.30-03	Frame brand	1	
2A	09600Q000006	Frame brand	1	
3	<u>05021Q200050</u> GB867-86	Rivet 2x5	2	
4	<u>41991QMM4000</u> QM200-2D.30-02	Joining boards R	1	
5	<u>41994QMM4000</u> QM200-2D.30-01	Joining boards L	1	
6	<u>02304Q080551</u> GB/T5789-1986	Bolt M8x55	1	
7	<u>02304Q080651</u> GB/T5789-1986	Bolt M8x65	2	
8	<u>05409Q081081</u> GB/T6187.1-2000	Nut M8	6	
9	<u>41992QLAZ000</u> QM125-2.30-74	Bracket eng monuting, front	1	
10	<u>02304Q080721</u> GB/T5789-1986	Bolt M8x72	2	
11	<u>09103Q100016</u> GB/T5789-1986	Bolt M10x80x1.25	2	
12	<u>05409Q101101</u> GB/T6187.2-2000	Nut M10x1.25	2	
13	<u>02304Q081251</u> GB/T5789-1986	Bolt M8x125	1	
14	<u>05420Q011081</u> GB/T95-2002	Washer 8	1	
15	<u>09319Q080001</u> QM125T-4.35.2.1-00	Rubber cushion	2	

FIG.C15



QM200-2D

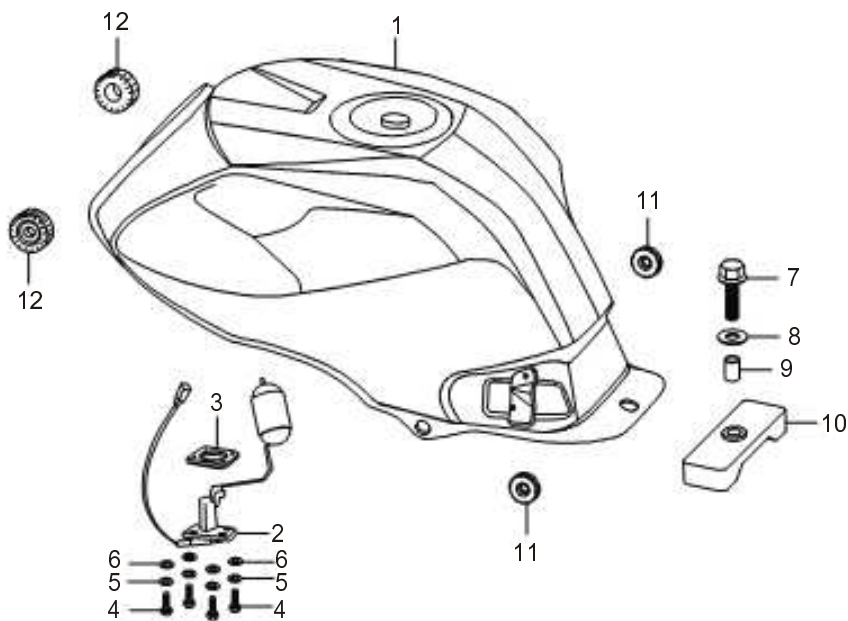
C15

FIG.C15

ПОДНОЖКИ

Ref.No.	Part No.	Description	Q'ty	Remarks
1	<u>42110QMM4000</u> QM200-2D.41.1-00	Stand Comp, Center	1	
2	<u>42211QMM4000</u> QM200-2D.41-02 <u>05420Q041161</u>	Axis, Center Stand	1	
3	GB/T848-2002	Washer 16	1	
4	<u>04411Q250221</u> GB/T91-2000	Pin 2.5x22	1	
5	<u>42234QLKK030</u> QM125-10V	Spring	1	
6	<u>42235QLKK030</u> QM125-10V	Spring	1	
7	<u>42261QMM4000</u> QM200-2D.41-01	Rubber Cushion	1	
8	<u>42310QMM4000</u> QM200-2D.81.1-00	Stand camp, Side	1	
9	<u>01804Q100301</u> GB/T5785-2000	Bolt M10x1.25x30	1	
10	<u>05403Q041101</u> GB/T6173-2000	Nut M10x1.25	1	
11	<u>09442Q017001</u> QM125-2	Spring	1	
12	<u>42332QLKK030</u> QM50QT-6A	Spring	1	

FIG.C16



C16

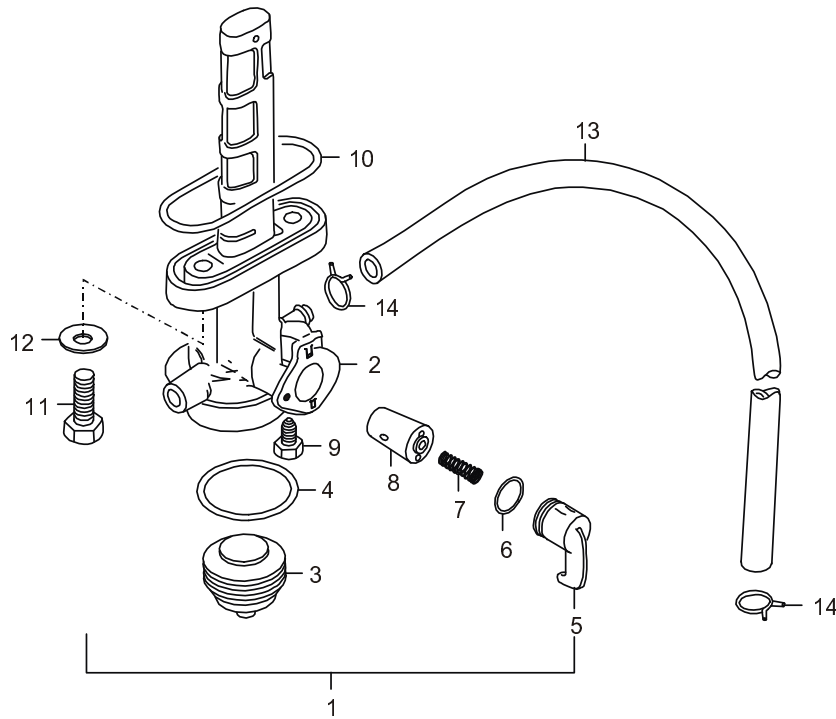
FIG.C16

БЕНЗОБАК

Ref.No.	Part No.	Description	Q'ty	Remarks
1	<u>44110QMM4000</u> QM200-2D.44.1-00	Fuel Tank	1	
2	<u>34801QMM4000</u> QM200-2D.77.1-00	Fuel sensor	1	
3	<u>34825QLBK000</u> QM125-2V.77-01	Seal	1	
4	<u>02104Q050201</u> GB/T16674.1-2004	Bolt M5x20	4	
5	<u>05420Q011051</u> GB/T95-2002	Washer 5	4	
6	<u>34861QAA2000</u> QM50QT-B.77-2	Gasket	4	
7	<u>02304Q080251</u> GB/T5789	Bolt M8x25	1	
8	<u>05420Q051081</u> GB/T96.1-2002	Washer 8	1	
9	<u>09180Q080005</u> QM200-2D.44-01	Spacer	1	
10	<u>44542QMM4000</u> QM200-2D.44-02	Cushion, rear	1	
11	<u>47169QLLZ000</u> QM125-11.30-08	Cushion	2	
12	<u>09329Q100001</u> GS125.44-08	Cushion, front	2	

QM200-2D

FIG.C17



QM200-2D

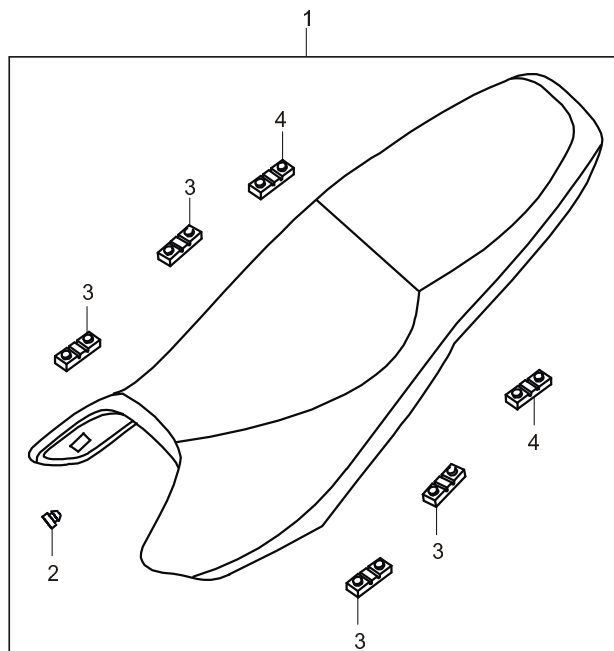
C17

FIG.C17

BEH30 HACOC

Ref.No.	Part No.	Description	Q'ty	Remarks
1	<u>44300QLAZ000</u> QM125-2.44.2-00	Fuel cock	1	
2	<u>44311QLAZ000</u> QM125-2.44.2-04	Body, fuel cock	1	
3	<u>44347QLAZ000</u> QM125-2.44.2-07	Filter	1	
4	<u>44323QLAZ000</u> QM125-2.44.2-06	O ring, joint	1	
5	<u>44316QLAZ000</u> QM125-2.44.2-09	Lever, fuel cock	1	
6	<u>44353QLAZ000</u> QM125-2.44.2-11	Gasket B, lever	1	
7	<u>44357QLAZ000</u> QM125-2.44.2-10	Spring	1	
8	<u>44315QLAZ000</u> QM125-2.44.2-05	Stopper	1	
9	<u>44343QLAZ000</u> QM125-2.44.2-08	Screw	1	
10	<u>44348QLAZ000</u> QM125-2.44.2-03	Gasket A, lever	1	
11	<u>01102Q060201</u> GB/T29.2-1998	Bolt M6x20	2	
12	<u>09168Q060001</u> QS90.44-10	Cushion, side	2	
13	<u>44424QLAZ000</u> QM125-2.44-07	Hose, fuel	1	
14	<u>09401Q084001</u> GS125.44-05	Cir clip	2	

FIG.C18



C18

FIG.C18

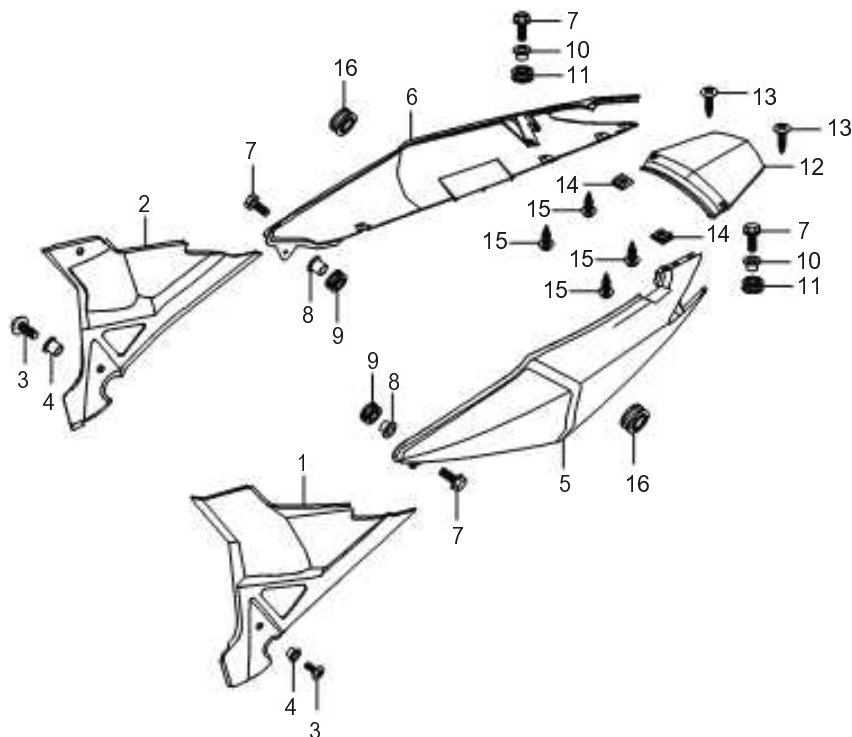
СИДУШКА

Ref.No.	Part No.	Description	Q'ty	Remarks
1	<u>45101OMM4000</u> QM200-2D.36.1-00	Seat Assembly	1	
2	<u>09321O100004</u> AG50.36-02	Washer Rubber	1	
3	<u>45149OLAZ000</u> QM125-2.36-06	Washer Rubber	4	
4	<u>45146OMM4000</u> QM200-2D.36-01	Mat Rubber	2	



QM200-2D

FIG.C19



QM200-2D

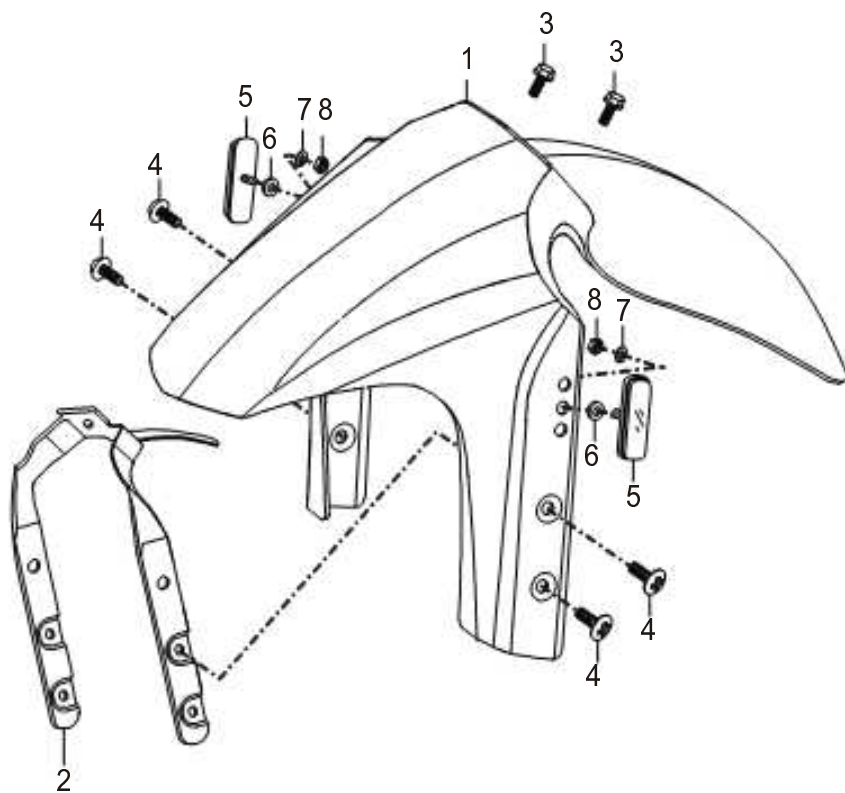
C19

FIG.C19

ПЛАСТИК РАМЫ

Ref.No.	Part No.	Description	Q'ty	Remarks
1	<u>47211QMM4000</u> QM200-2D.46-01	Cover Front, L	1	
2	<u>47111QMM4000</u> QM200-2D.46-03	Cover Front, R	1	
3	<u>09124Q060002</u> GB/T973	Screw M6x12	2	
4	<u>47175QMD2000</u> QM150L-4B.46-06	Bush	2	
5	<u>47333QMM4000</u> QM200-2D.46-02	Cover Rear, L	1	
6	<u>47331QMM4000</u> QM200-2D.46-04	Cover Rear, R	1	
7	<u>02304Q060161</u> GB/T5789-1986	Bolt M6x16	4	
8	<u>09180Q060007</u> QM200-2D.62.1-01	Bush	2	
9	<u>09161Q090002</u> QM200-2D.62.1-02	Grommet, rubber	2	
10	<u>63139QMM4000</u> QM200-2D.38-04	Bush	2	
11	<u>09308Q080001</u> QM200-2D.38-03	Grommet, rubber	2	
12	<u>47321QMM4000</u> QM200-2D.46-05	Small Cover	1	
13	<u>04020Q041602</u> GB/T845-1985	Screw ST4.2x13	2	
14	<u>09148Q040001</u>	Nut ST4.2	2	
15	<u>04020Q041602</u> GB/T845-1985	Screw ST4.2x13	4	
16	<u>47169QLLZ000</u> QM125-11.30-08	Grommet, rubber	2	

FIG.C20



QM200-2D

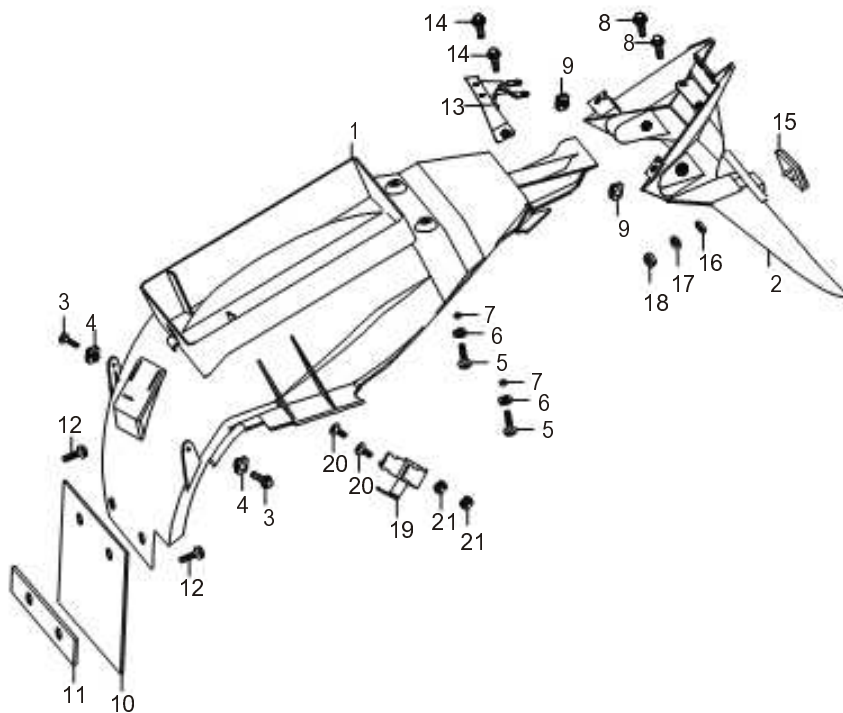
C20

FIG.C20

КРЫЛО ПЕРЕДНЕЕ

Ref.No.	Part No.	Description	Q'ty	Remarks
1	53111QMM4000 QM200-2D.37-01	Fender Fr	1	
2	53120QMM4000 QM200-2D.37.1-00 02304Q060121	Fender Jointing	1	
3	GB/T5789-1986	Assembled	2	
4	09124Q060016 GB/T973	Bolt M6x12	4	
5	35950QMM4000 QM200-2D.74.1-00	Screw M6x25	2	
6	GB/T93	Reflect Side	2	
7		Washer 5	2	
8	GB/T41	Nut M5	2	

FIG.C21



QM200-2D

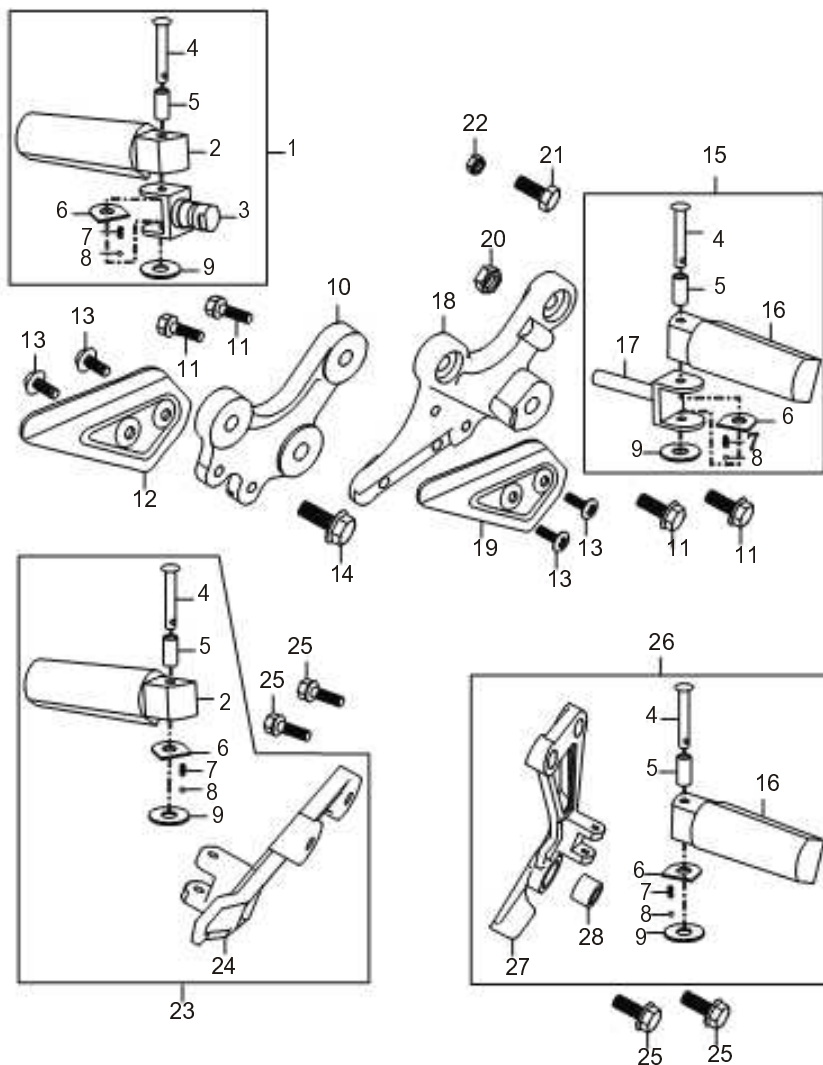
C21

FIG.C21

КРЫЛО ЗАДНЕЕ

Ref.No.	Part No.	Description	Q'ty	Remarks
1	63110MM4000 QM200-2D.38-05	Fender, Rear	1	
2	63112QMM4000 QM200-2D.38-01	Fender, Rear	1	
3	02304Q060121 GB/T5789-1986	Bolt M6x12	2	
4	09148Q060001	Nut M6	2	
5	02304Q060161 GB/T5789-1986	Bolt M6x16	2	
6	63139QMM4000 QM200-2D.38-04	Bush	2	
7	09308Q080001 QM200-2D.38-03	Grommet, rubber	2	
8	02304Q060121 GB/T5789-1986	Bolt M6x12	2	
9	09148Q040001 AG50.38-3	Clip ST4.2	2	
10	63411QMM4000 QM200-2D.38-02	Fender, Rear Tape	1	
11	63910QMM4000 QM200-2D.38.1-00	Board assy	1	
12	02304Q060122 GB/T5789-1986	Bolt M6x12	2	
13	41550QMM4000 QM200-2D.30.2-00	Taillight Bracket	1	
14	02304Q060121 GB/T5789-1986	Weld Assembled Bolt M6x12	2	
15	35902QEDZ000	Reflection	1	
16	QM125T-4.78.2-00 GB/T5287	Washer 5	1	
17		Lock Washer 5	1	
18	GB/T6170	Nut M5	1	
19	63141QMM4000 QM200-2D.38-06	Board assy	1	
20	09124Q060018 GB/T973	Screw M6x12	2	
21	05404Q012061 GB/T6177.1-2000	Nut M6	2	

FIG.C22



QM200-2D

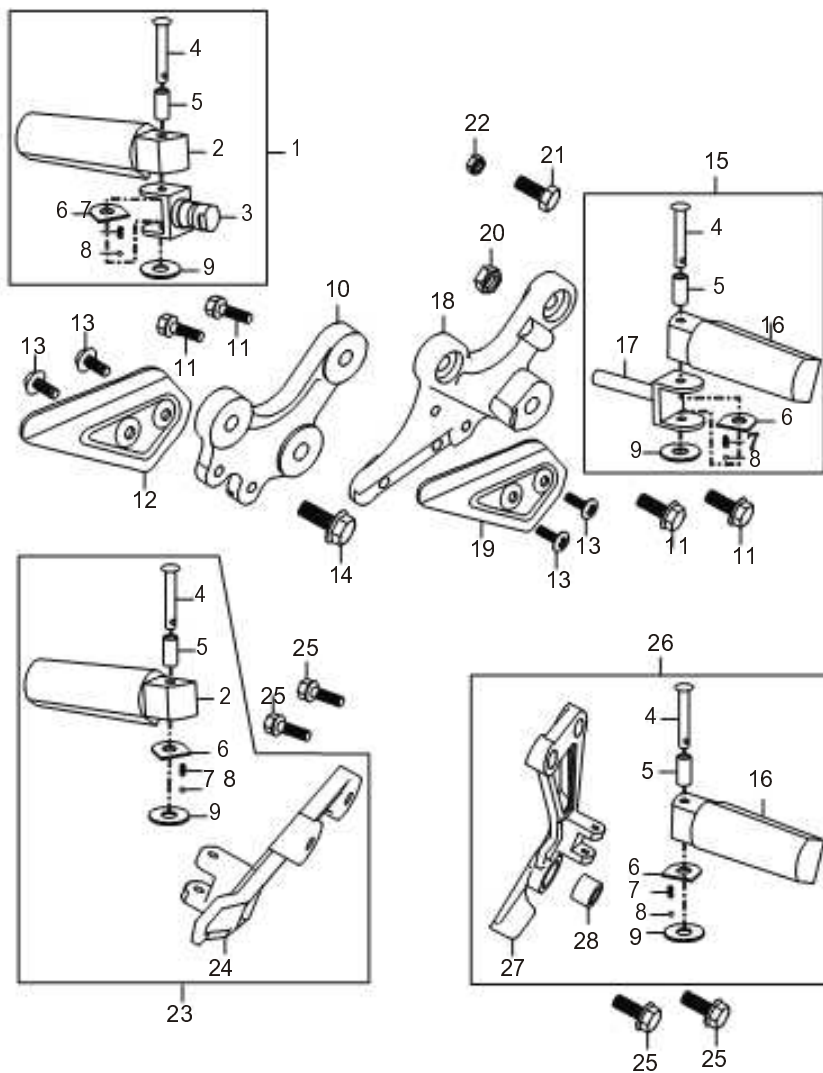
C22

FIG.C22

ПОДНОЖКИ

Ref.No.	Part No.	Description	Q'ty	Remarks
1		Pedal assy LH	1	
2	43711QMM4000 QM200-2D.47-01 43540QMM4000	Pedal LH	2	
3	QM200-2D.49.1-00 09208Q060001	Pedal LH	1	
4	QM200-2D.47-04 43655QMM4000	Pin	4	
5	QM200-2D.47-05 43656QMM4000	Bush	4	
6	QM200-2D.47-03 43657QMM4000	Washer	4	
7	QM200-2D.47-06	Spring	4	
8	05450Q003011 GB308-89	Steel ball 3/16	4	
9	05430Q041041	Washer 4	4	
10	43521QMM4000 QM200-2D.49-01 02104Q080201	Holder, pillion LH	1	
11	GB/T16674.1-2004 43821QMM4000	Bolt M8x20	4	
12	QM200-2D.49-02 09124Q060005	Cover, LH	1	
13	GB/T973	Screw M6x12	4	
14	09103Q100015 GB/T5789-1986	Bolt M10x25x1.25	1	
15		Pedal assy RH	1	
16	43611QMM4000 QM200-2D.47-08 43530QMM4000	Pedal RH	2	
17	QM200-2D.49.3-00	Pedal rh	1	
18	43510QMM4000 QM200-2D.49.2-00	Holder, footrest RH	1	
19	43811QMM4000 QM200-2D.49-04	Cover, RH	1	
20	05409Q101101 GB/T6187.2-2000	Nut M10x1.25	1	

FIG.C22



QM200-2D

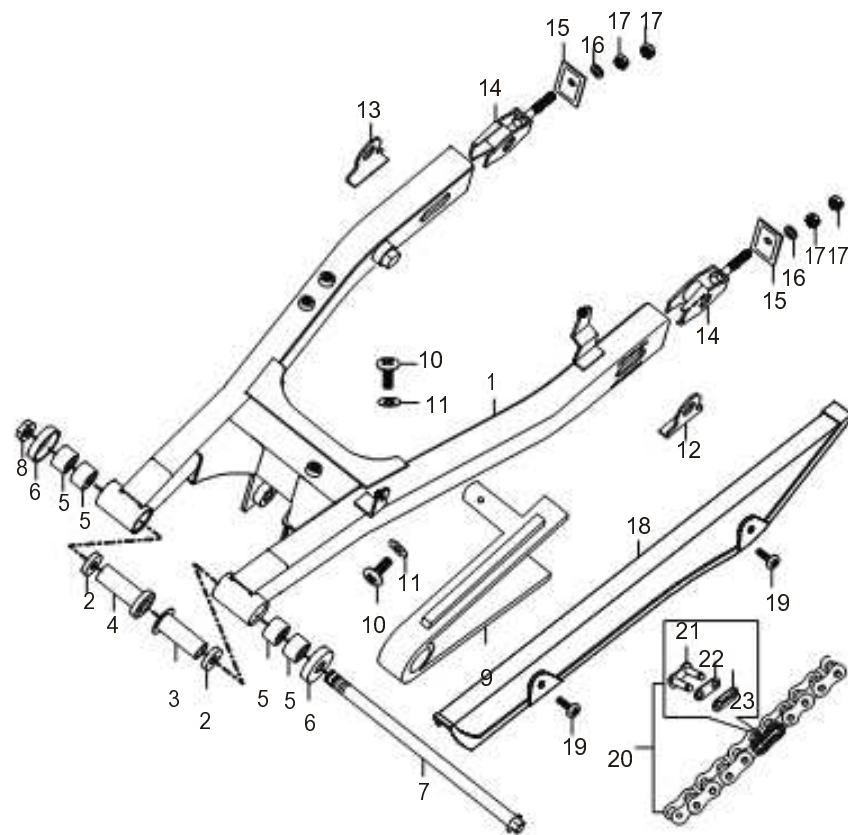
C22

FIG.C22

ПОДНОЖКИ

Ref.No.	Part No.	Description	Q'ty	Remarks
21	01401Q060121 GB/T5781-2000	Bolt M6x12	1	
22	05401Q011061 GB/T6170.1-2000	Nut M6	1	
23		Footrest, pillion LH	1	
24	43721QMM4000 QM200-2D.47-02 03614Q008251	Rear foot rest plank LH	1	
25		Screw M8x25	4	
26		Footrest, pillion RH	1	
27	43621QMM4000 QM200-2D.47-07	Rear foot rest plank RH	1	
28	09319Q100016 QM200-2D.47.1-00	Bush	1	

FIG.C23



 QM200-2D

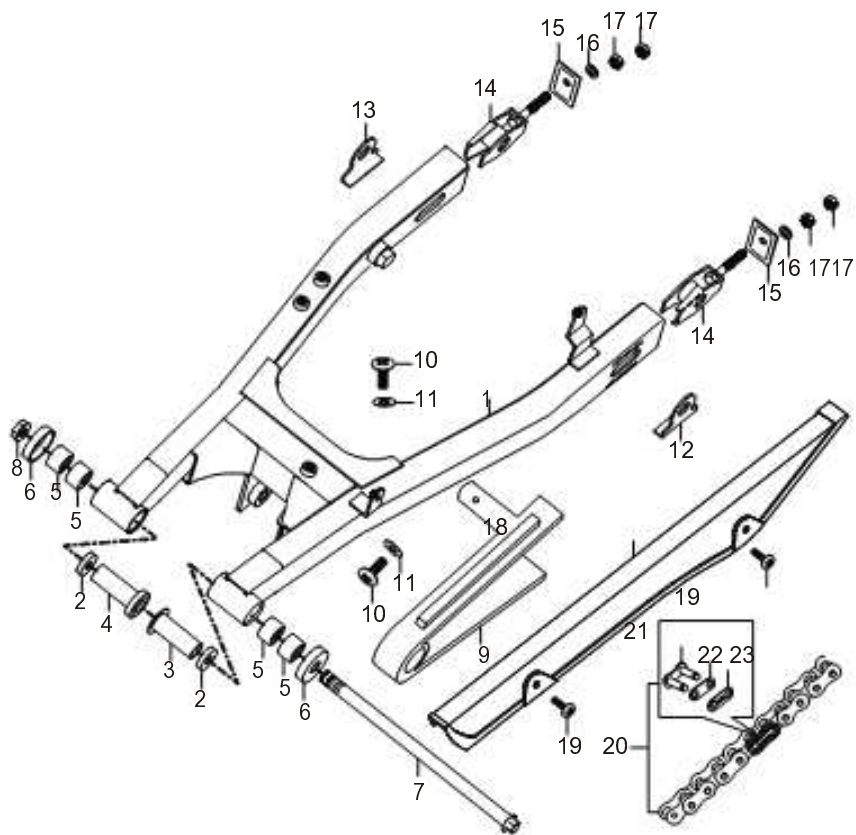
C23

FIG.C23

РЫЧАГ ЗАДНИЙ

Ref.No.	Part No.	Description	Q'ty	Remarks
1	61100QMM4000 QM200-2D.42.1-00	Rear Swing Arm	1	
2	09286Q200001 QM125-2.42.4-00	Oil seal	2	
3	61252QMM4000 QM200-2D.42-01	Spacer L	1	
4	61251QMM4000 QM200-2D.42-02	Spacer R	1	
5	05721Q002016 GB/T290	Bearing HK202616	4	
6	61262QMM4000 QM200-2D.42.3-00	Cover Assembled	2	
7	61211QMM4000 QM200-2D.42-05	Axis	1	
8	05409Q091141 GB/T6187.2-2000	Nut M14x1.5	1	
9	61273QMM4000 QM200-2D.42-06	Cushion	1	
10	03411Q050161 GB/T818-2000	Screw M5x16	2	
11	05420Q051051 GB/T96-85	Washer 5	2	
12	64713QMM4000 QM200-2D.42-03	Fortified Board	1	
13	64712QMM4000 QM200-2D.42-07	Fortified Board	1	
14	61410QMM4000 QM200-2D.42.2-00	Adjuster Assembled Cover	2	
15	61421QMM4000 QM200-2D.42-04	Washer 8	2	
16	05420Q011081 GB/T95-2002	Nut M8	4	
17	05401Q011081 GB/6170	Nut M8	4	
18	61311QMM4000 QM200-2D.43-01	Chain Case	1	
19	09124Q060002 GB/T973	Screw M6x12	2	
20	27600QMNZ000 QM200GY	Chain 428H-134	1	

FIG.C23



QM200-2D

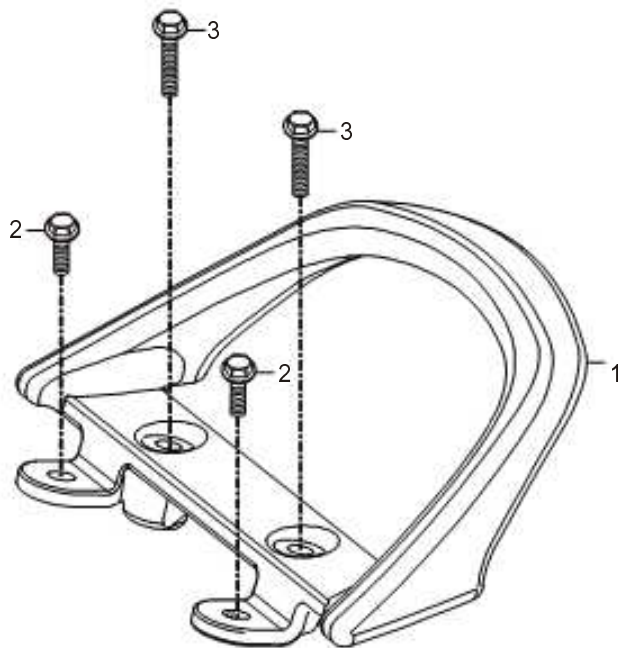
C23

FIG.C23

РЫЧАГ ЗАДНИЙ

Ref.No.	Part No.	Description	Q'ty	Remarks
21		Card	1	
22		Joint Piece	1	
23		Joint Chain	1	

FIG.C24



C24

FIG.C24

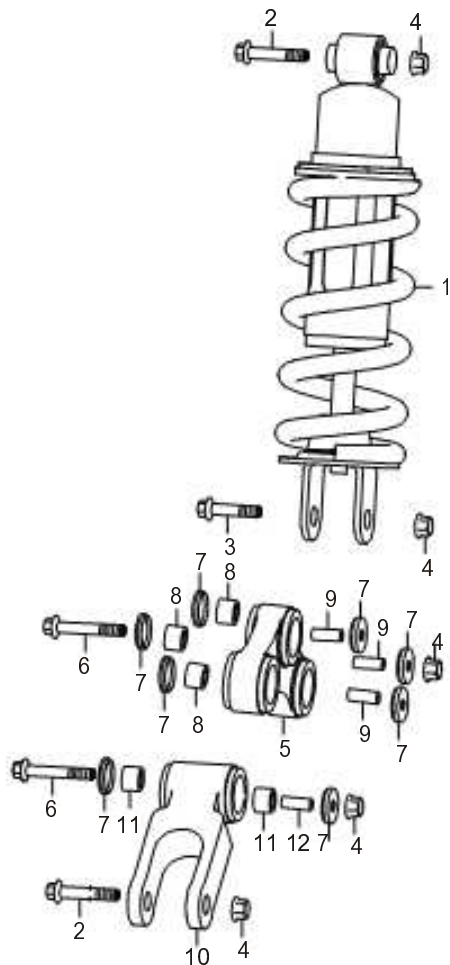
РУЧКА ЗАДНЯЯ

Ref.No.	Part No.	Description	Q'ty	Remarks
1	<u>46311QMM4000</u> QM200-2D.40-01	Carrier	1	
2	<u>02104Q080201</u> GB/T16674.1-2004	Bolt M8x20	2	
3	<u>02104Q080401</u> GB/T16674.1-2004	Bolt M8x40	2	



QM200-2D

FIG.C25



QM200-2D

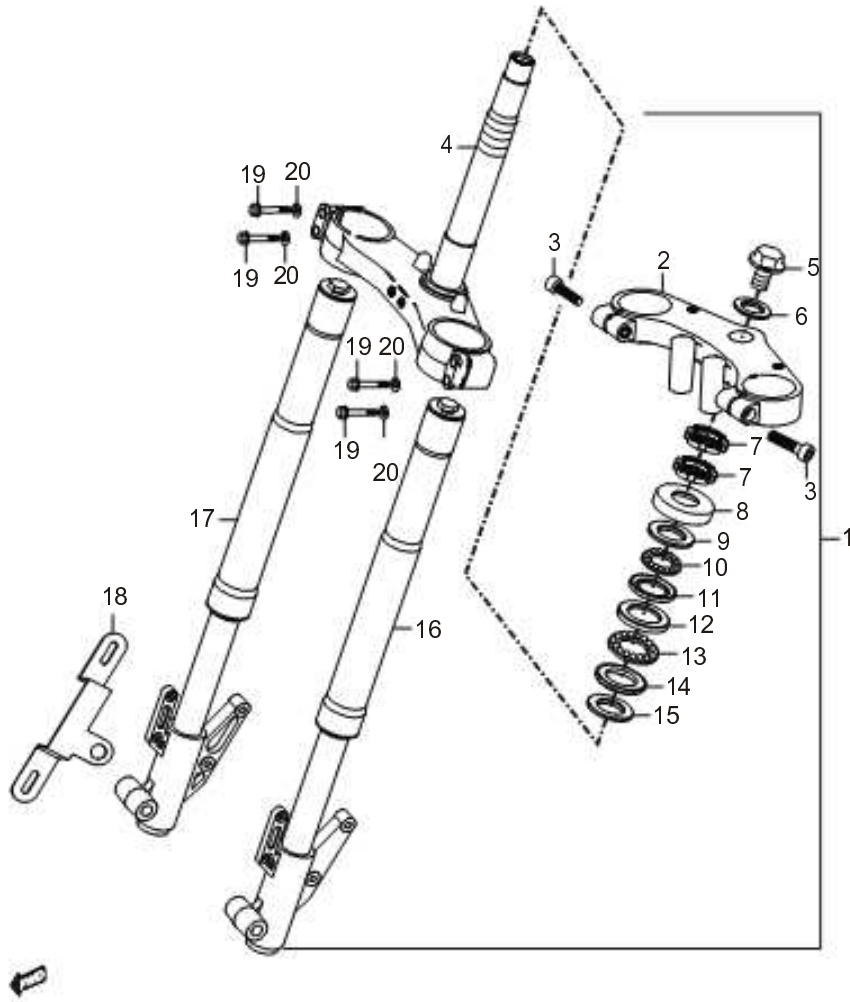
C25

FIG.C25

ЗАДНИЙ АММОТИЗАТОР

Ref.No.	Part No.	Description	Q'ty	Remarks
1	<u>621010MM4000</u> QM200-2D.35.1-00	Middle Shock Absorber	1	
2	<u>02404Q120652</u> GB/T16674.2-2004	Bolt M12x65x1.25	2	
3	<u>02404Q120552</u> GB/T16674.2-2004	Bolt M12x55x1.25	1	
4	<u>05409Q101122</u> GB/T6187.2-2000	Nut M12x1.25	5	
5	<u>612310MM4000</u> QM200-2D.35-01	Rear Stand I	1	
6	<u>02404Q120752</u> GB/T16674.2-2004	Bolt M12x75x1.25	2	
7	<u>612200MM4000</u> QM200-2D.35.2-00	Cover Assembled	8	
8	<u>05721Q001618</u> GB/T290	Bearing HK162218	3	
9	<u>09180Q120013</u> QM200-2D.35-03	Rear Stand I Sleeve	3	
10	<u>612430MM4000</u> QM200-2D.35-02	Rear Stand II Bearing	1	
11	<u>05721Q001612</u> GB/T290	HK162212 Rear	2	
12	<u>09180Q120014</u> QM200-2D.35-04	Stand II Sleeve	1	

FIG.C26



QM200-2D

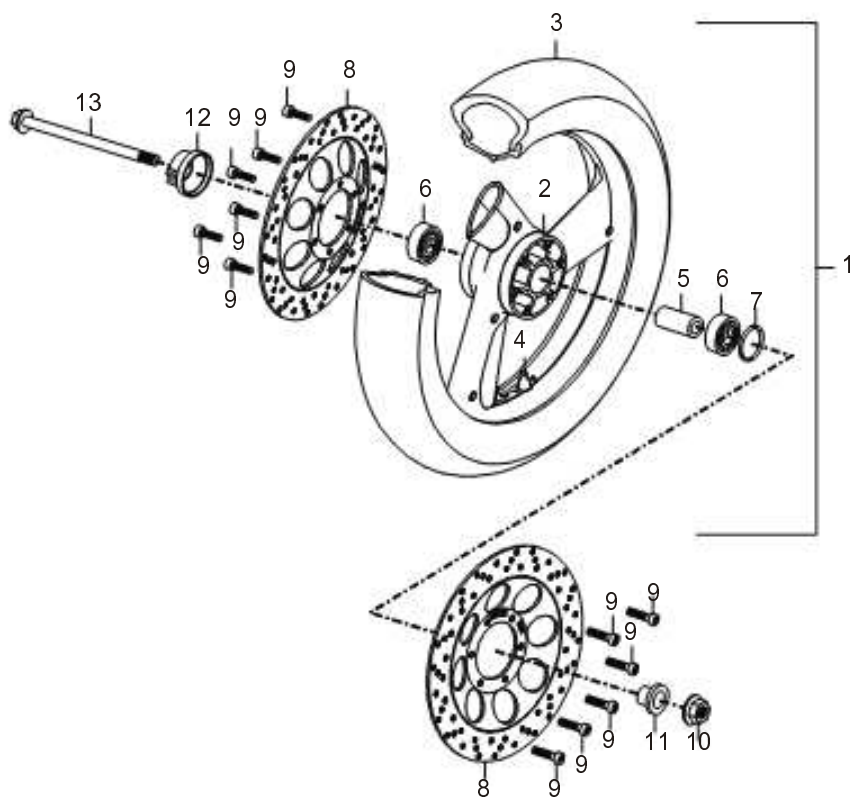
C26

FIG.C26

ПЕРЕДНЯЯ ВИЛКА

Ref.No.	Part No.	Description	Q'ty	Remarks
1	<u>51000QMM4000</u> QM200-2D.31-00	Front fork	1	
2	<u>51311QMM4000</u> QM200-2D.31-01	Slaver Upper	1	
3	<u>03614Q008302</u> GB/T70.1-2000	Screw M8x30	2	
4	<u>51410QMM4000</u> QM200-2D.31.1-00	Lower Join Assembled	1	
5	<u>51352QMM4000</u> QM200-2D.31-11	Bolt M14x25x1.5	1	
6	<u>51356QMM4000</u> QM200-2D.31-12	Washer 14	1	
7	<u>09155Q250001</u> QM125T-4.31-05	Nut	2	
8	<u>51643QMM4000</u> QM200-2D.31-07	Dustproof Cover Outer	1	
9	<u>51621QMM4000</u> QM200-2D.31-02	Upper	1	
10	<u>51650QMM4000</u> QM200-2D.31.5-00	Steel ball assy, upper	1	
11	<u>51611QMM4000</u> QM200-2D.31-04	Inner Upper	1	
12	<u>51612QMM4000</u> QM200-2D.31-05	Inner Lower	1	
13	<u>51660QMM4000</u> QM200-2D.31.6-00	Steel ball assy, lower	1	
14	<u>51622QMM4000</u> QM200-2D.31-03	Outer Lower	1	
15	<u>09160Q310001</u> QM200-2D.31-08	Washer	1	
16	<u>51104QMM4000</u> QM200-2D.31.3-00	Shock absorb tube, LH	1	
17	<u>51103QMM4000</u> QM200-2D.31.2-00	Shock absorb tube, RH	1	
18	<u>96711QMM4000</u> QM200-2D.99-01	License Plate Bracket	1	
19	<u>02104Q080402</u> GB/T16674.1-2004	Bolt M8x40	4	
20	<u>05421Q011082</u> GB/T93-1987	Lock washer 8	4	

FIG.C27



C27

FIG.C27

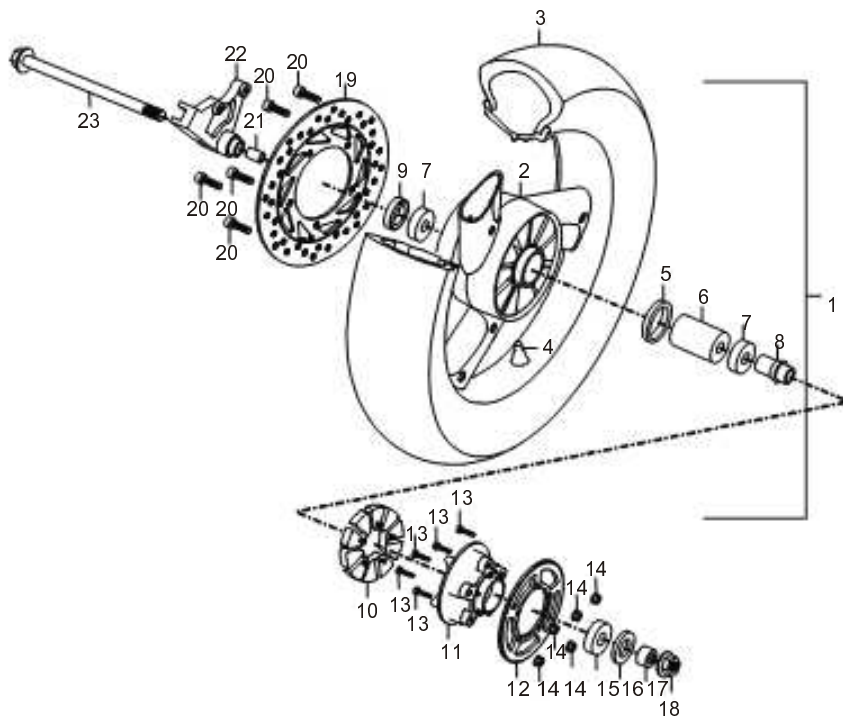
КОЛЕСО ПЕРЕДНЕЕ

Ref.No.	Part No.	Description	Q'ty	Remarks
1	54000QMM4000 QM200-2D.33-00	Front wheel assy	1	
2	54111QMM4000 QM200-2D.33-01	Hub, Front Wheel	1	
3	55110QMM4000 QM200-2D.33-05	Tire	1	
4	55220QMM4000	Valve	1	
5	09180Q150021 QM200-2D.33-02	Bush	1	
6	05530Q006302 GB/T276-94	Bearing 6302-Z	2	
7	54891QMM4000 GB/T13871-1992	Oil seal d22x42x7	1	
8	59211QMM4000 QM200-2D.83-01	Disc, Front Brake	2	
9	03614Q008202 GB/T70.1-2000	Screw M8x20	12	
10	54711QMM4000 QM200-2D.33-03	Axis, Front Wheel	1	
11	54741QMM4000 QM200-2D.33-04	Spacer	1	
12	54600QMM4000 QM200-2D.33.1-00	Speedometer	1	
13	05409Q091141 GB/T6187.2-2000	Nut M14x1.5	1	



QM200-2D

FIG.C28



QM200-2D

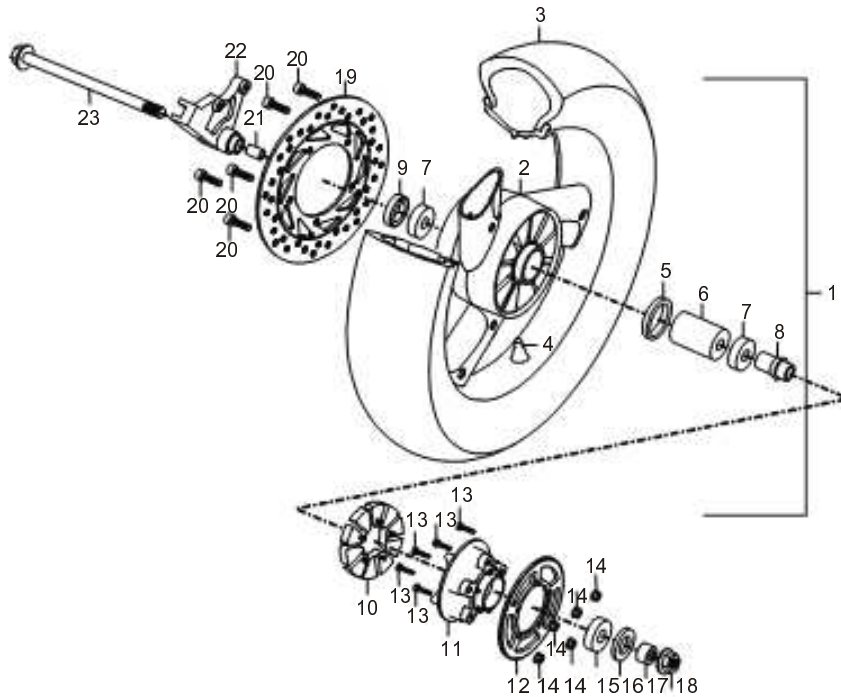
C28

FIG.C28

КОЛЕСО ЗАДНЕЕ

Ref.No.	Part No.	Description	Q'ty	Remarks
1	<u>64000QMM4000</u> QM200-2D.34-00	Rear wheel assy	1	
2	64151QMM4000 QM200-2D.34-01	Hub, Rear Wheel	1	
3	<u>65110QMM4000</u>	Tire	1	
4	QM200-2D.34-04 55220QMM4000	Valve, Puff	1	
5	JB/T7757.2-1995	O Ring 53.4x2.65	1	
6	<u>09180Q170009</u> QM200-2D.34-03	Retainer	1	
7	05530Q006303	Bearing 6303-Z	2	
8	<u>64615QMM4000</u> QM200-2D.34-02	Retainer	1	
9	GB13871-1992	Oil Seal B25x47x10	1	
10	<u>64651QMM4000</u> QM200-2D.34-05	Damping Block	5	
11	<u>64611QMM4000</u> QM200-2D.34-06	Seat, Seatprocket Wheel	1	
12	<u>64511QMM4000</u> QM200-2D.34-07	Seatprocket Wheel	1	
13	<u>01B01Q100411</u> GB/T5785-2000	Bolt M10x41x1.25	5	
14	<u>05409Q101101</u> GB/T6187.2-2000	Nut M10x1.25	5	
15	05510Q006305	Bearing 6305	1	
16	GB13871-1992	Oil seal B35x62x8	1	
17	<u>09180Q170010</u> QM200-2D.34-08	Spacer	1	
18	<u>64711QMM4000</u> QM200-2D.34-09	Axis, Rear	1	
19	<u>69211QMM4000</u> QM200-2D.48-01	Panel Comp, Rear Brake	1	
20	<u>69221QMM4000</u> QM200-2D.48-05	Anchor Screw M8x25	5	

FIG.C28



QM200-2D

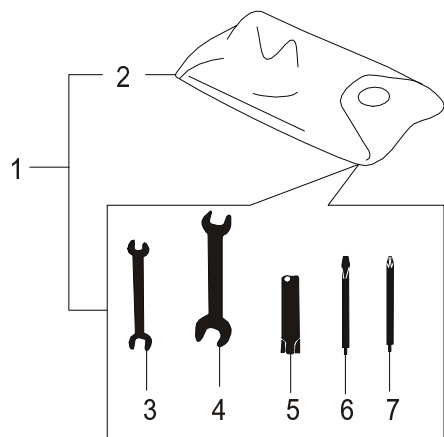
C28

FIG.C28

КОЛЕСО ЗАДНЄЕ

Ref.No.	Part No.	Description	Q'ty	Remarks
21	<u>09180Q170011</u> QM200-2D.34-10	Bush	1	
22	QM200-2D.48-01	Connect Board Applying The	1	
23	<u>05409Q091161</u> GB/T6187.2-2000	Nut M16x1.5	1	

FIG.C29



C29
FIG.C29

ИНСТРУМЕНТ

Ref.No.	Part No.	Description	Q'ty	Remarks
1	<u>96500OLG1000</u> QM125-7A.80.3-00	Tool comp	1	
2	09811Q000005	Bag, tool	1	
3	09813Q000004	Wrench 10x12	1	
4	09813Q000002	Wrench 14x17	1	
5	09816Q000006	Spanner, spark plug	1	
6	09814Q000006	Screwdriver	1	
7	09814Q000005	Screwdriver	1	

QM200-2D