



КАТАЛОГ ЗАПЧАСТЕЙ

PEGAS 110

QM110-3C

www.SkyBike.com.ua

Внимание!

Для заказа запчастей необходимо в каталоге найти страницу с изображением интересующей вас детали. В левом верхнем углу написан код рисунка. Номер детали указан возле изображения детали. Например для заказа прокладки глушителя, для модели FORTUNE 50, вы пишете в заявке – "FIG.13 – 8 Прокладка глушителя" (или название на английском из каталога) и необходимое количество. Если группа деталей объединена скобкой, это значит, что детали продаются в комплекте.

После того, как вы определились с выбором детали, вы можете сделать заказ, уточнить наличие на складе, цену, позвонив по телефонам указанным на [сайте](#) или отправьте запрос на наш e-mail: repair@skybike.com.ua

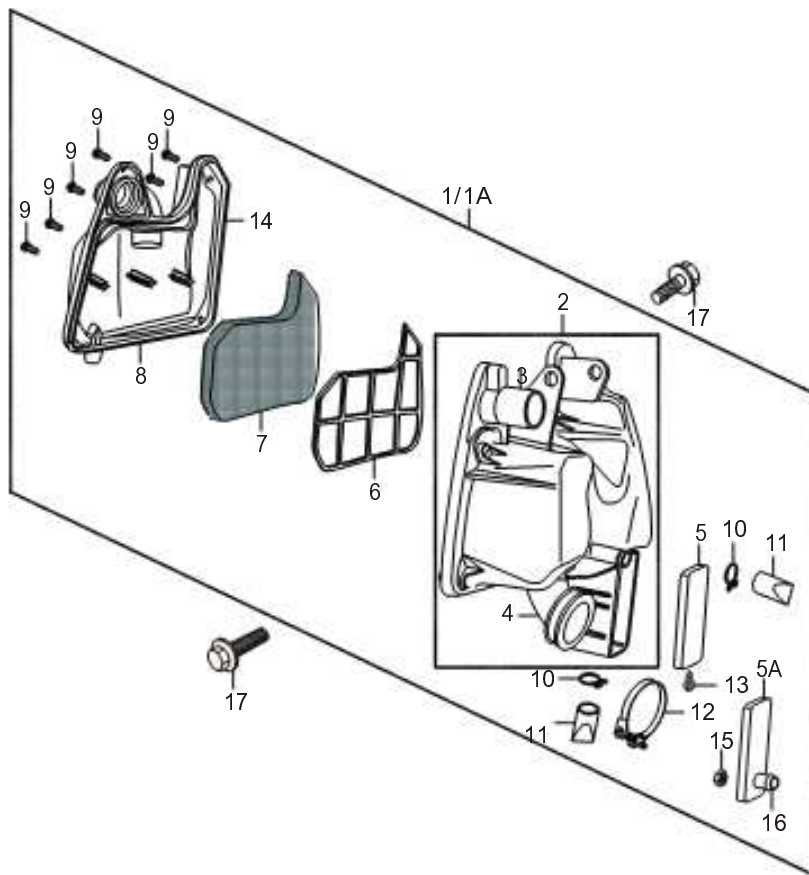
КАТАЛОГ ЗАПЧАСТЕЙ

No.		Стр
FIG.20	ВОЗДУШНЫЙ ФИЛЬТР	1
FIG.21	ГЛУШИТЕЛЬ	2
FIG.21A	ГЛУШИТЕЛЬ	3
FIG.22	АККУМУЛЯТОР	4
FIG.22A	АККУМУЛЯТОР	5
FIG.23	ЭЛЕКТРИЧЕСКИЕ ЧАСТИ	6
FIG.24	ПРОВОДКА	7
FIG.25	СПИДОМЕТР	8
FIG.25A	СПИДОМЕТР	9
FIG.25B	СПИДОМЕТР	10
FIG.26	ФАРА	11
FIG.27	УКАЗАТЕЛИ ПОВОРОТОВ	12
FIG.27A	УКАЗАТЕЛИ ПОВОРОТОВ	13
FIG.28	ФОНАРЬ ЗАДНИЙ	14
FIG.28A	ФОНАРЬ ЗАДНИЙ	15
FIG.29	РУЧКИ РУЛЯ / КНОПКИ	16
FIG.30	РУЛЬ	17
FIG.31	ПЕРЕДНЯЯ ВИЛКА	18
FIG.32	ПЕРЕДНИЙ ТОРМОЗ	19
FIG.33	КРЫЛО ПЕРЕДНЕЕ	20
FIG.34	ДИСК ПЕРЕДНИЙ	21
FIG.34A	ДИСК ПЕРЕДНИЙ	23
FIG.34B	ДИСК ПЕРЕДНИЙ	25
FIG.34C	ДИСК ПЕРЕДНИЙ	26

КАТАЛОГ ЗАПЧАСТЕЙ

No.		Стр
FIG.35	БАГАЖНИК	27
FIG.36	РАМА	28
FIG.37	ПОДНОЖКИ	29
FIG.38	ПОДНОЖКИ	30
FIG.38A	ПОДНОЖКИ	32
FIG.39	БЕНЗОБАК	33
FIG.40	СИДУШКА	34
FIG.41	ПЛАСТИК	36
FIG.42	КАТАФОТЫ	38
FIG.43	РЫЧАГ ЗАДНИЙ	39
FIG.44	ЗАДНИЙ АММОТИЗАТОР	40
FIG.45	БАГАЖНИК	41
FIG.45 A	БАГАЖНИК	42
FIG.46	КРЫЛО ЗАДНЕЕ	43
FIG.47	ЗАДНИЙ ТОРМОЗ	44
FIG. 48	ДИСК ЗАДНИЙ	45
FIG. 48 A	ДИСК ЗАДНИЙ	48
FIG. 49	ИНСТРУМЕНТ	50

FIG.20



QM110-3C

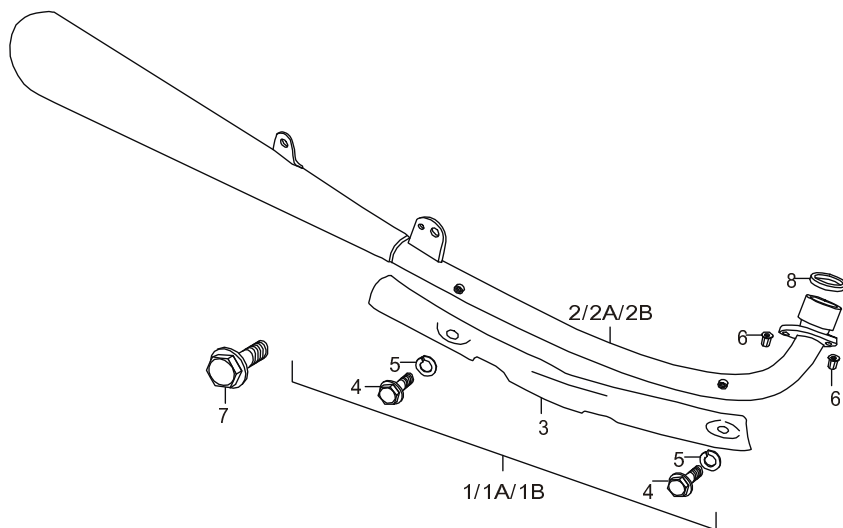
20

FIG.20

ВОЗДУШНЫЙ ФИЛЬТР

Ref.No.	Part No.	Description	Q'ty	Remarks
1	<u>13701OKX3000</u> QM110-3C.11.1-00	Air Cleaner Assy	1	
1A	<u>13701OKX3230</u> QM110-3C(G2).11.1-00	Air Cleaner Assy	1	
2	<u>13720OKX3000</u> QM110-3C.11.1-07	Case assy, air cleaner	1	
3	<u>13891OKX3000</u> QM110-3C.11.1-02	Tube, inlet	1	
4	<u>13881OKX3000</u> QM110-3C.11.1-09	Tube, Outlet	1	
5	<u>13736QKX3000</u> QM110-3C.11.1-00	Cover, air cleaner	1	
5A		Cover, air cleaner	1	
6	<u>13790QKX3000</u> QM110-3C.11.1-00	Frame, filter	1	
7	<u>13781QKX3000</u> QM110-3C.11-06	Filter	1	
8	<u>13741QKX3000</u> QM110-3C.11.1-01	Cap, Air Cleaner	1	
9	<u>03411Q150164</u> GB/T9074.1-2002	Screw M5x16	6	
10	<u>09401Q104001</u> AG50.44-15	Cieclip	2	
11	<u>13999QKX3000</u> QM110-3C.11.1-08	Rubber plug	2	
12	<u>13820QKX3000</u> QM110-3C.11.2-00	Clamp Assy	1	
13	042100020801 GB/T846-85	Screw ST2.9x8	1	
14	<u>13746QKX3000</u> QM110-3C.11.1-05	Gasket, air cleaner	1	
15	<u>05401Q012101</u> GB/T6170-2000	Nut M10	1	
16	<u>13884OKX3230</u> QM110-3C(G2).11.1-01	Nozzle	1	
17	<u>02304Q060121</u> GB5/T5789-86	Bolt M6x12	2	

FIG.21



21

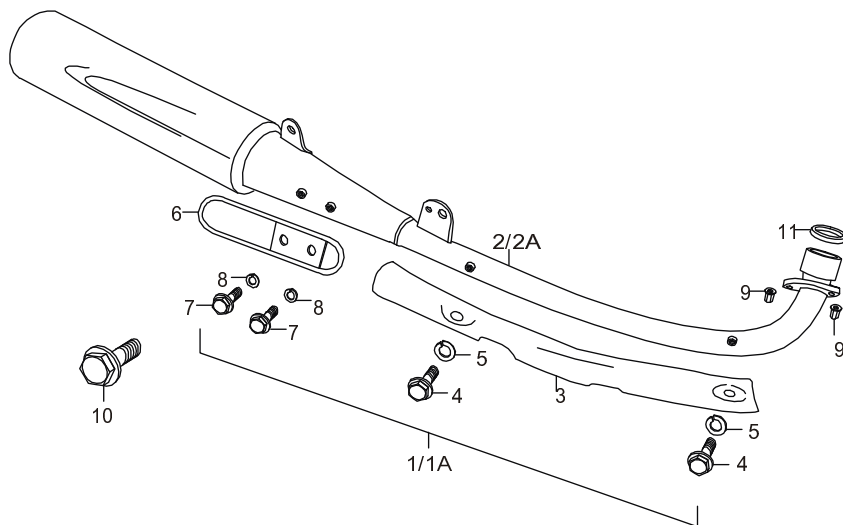
FIG.21

ГЛУШИТЕЛЬ

Ref.No.	Part No.	Description	Q'ty	Remarks
1	<u>14300OKX3000</u> QM110-3C.09-00	Muffler Assy	1	
1A		Muffler Assy	1	
1B		Muffler Assy	1	
2	<u>14301OKX3000</u> QM110-3C.09.1-00	Body, muffler	1	
2A		Body, muffler	1	
2B		Body, muffler	1	
3	<u>14186OKX3000</u> QM110-3C.09-2	Cover, exhaust pipe	1	
4	<u>02104Q060085</u> GB/T16674.1-2004	Bolt M6x8	2	
5	<u>05421Q011065</u> GB/T93-87	Washer 6	2	
6	<u>14183OEA2000</u> P152QML09-4	Nut M6	2	
7	02304Q080121	Bolt M8x12	1	
8	<u>14181OKX3000</u> QM110-3C.09-1	Gasket, exhaust	1	

QM110-3C

FIG.21A



21A

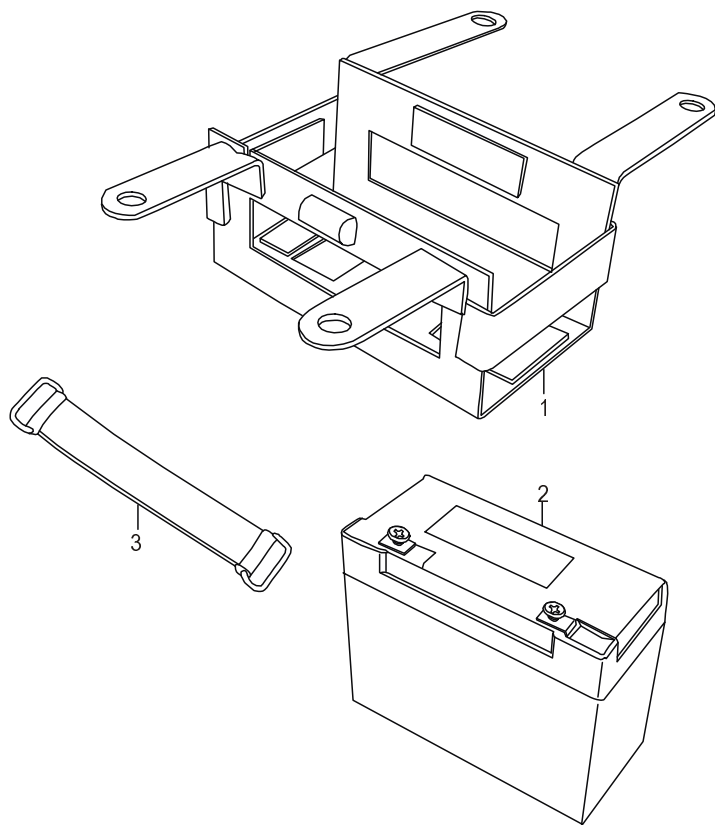
FIG.21A

ГЛУШИТЕЛЬ

Ref.No.	Part No.	Description	Q'ty	Remarks
1	<u>14300QKX4000</u> QM110-3D.09-00	Muffler Assy	1	
1A		Muffler Assy	1	
2	<u>14301QKX4000</u> QM110-3D.09.1-00	Body, muffler	1	
2A		Body, muffler	1	
3	<u>14186QKX4000</u> QM110-3D.09-2	Cover, exhaust pipe	1	
4	<u>02104Q060085</u> GB/T16674.1-2004	Screw M6x8	2	
5	<u>05421Q011065</u> GB/T93-87	Washer 6	2	
6		Adorning cover, muffler	2	
7		Bolt	2	
8		Washer	2	
9	<u>14183QEA2000</u> P152QMI.09-4	Nut M6	2	
10	<u>02304Q080121</u>	Bolt M8x12	1	
11	<u>14181QKX3000</u> QM110-3C.09-1	Gasket, exhaust	1	

QM110-3C

FIG.22



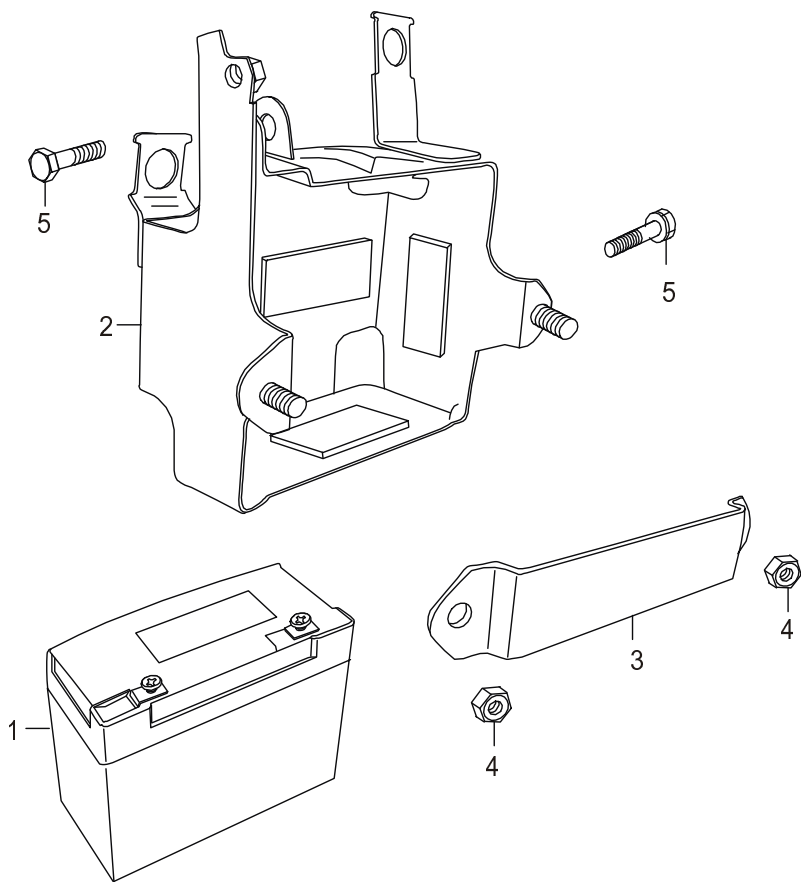
22
FIG.22

АККУМУЛЯТОР

Ref.No.	Part No.	Description	Q'ty	Remarks
1	<u>41540OKX3000</u> QM110-3C.86.1-00	Holder, battery	1	
2	<u>33601OKX3000</u> QM110-3C.60-00	Battery assy	1	
3	<u>33680OKX3000</u> QM110-3C.86.2-00	Strap comp	1	

QM110-3C

FIG.22A



QM110-3C

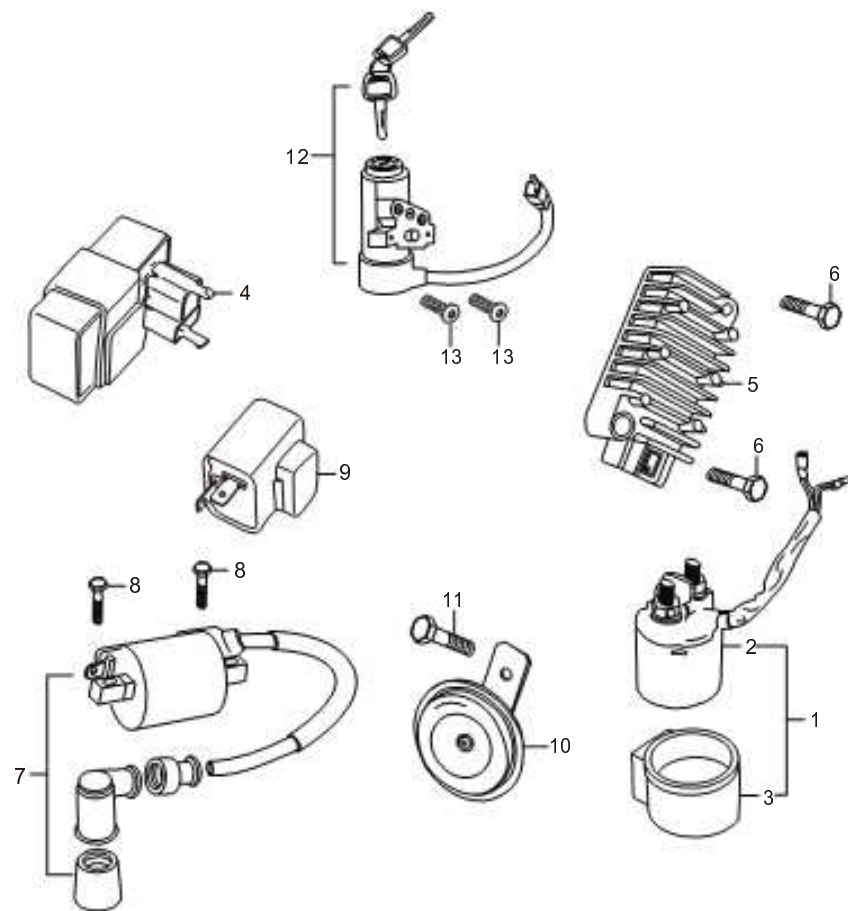
22A

FIG.22A

АККУМУЛЯТОР

Ref.No.	Part No.	Description	Q'ty	Remarks
1	<u>33601OKX3000</u> QM110-3C.60-00	Battery	1	
2	<u>41540QKX3180</u> QM110-3C.86.1-00	Holder, battery	1	
3	41533QKX3000	Plate	1	
4	<u>09159O060001</u> GB 6177	Nut M6	2	
5	<u>02304O060121</u> GB5/T5789-86	Bolt M6x12	2	

FIG.23



QM110-3C

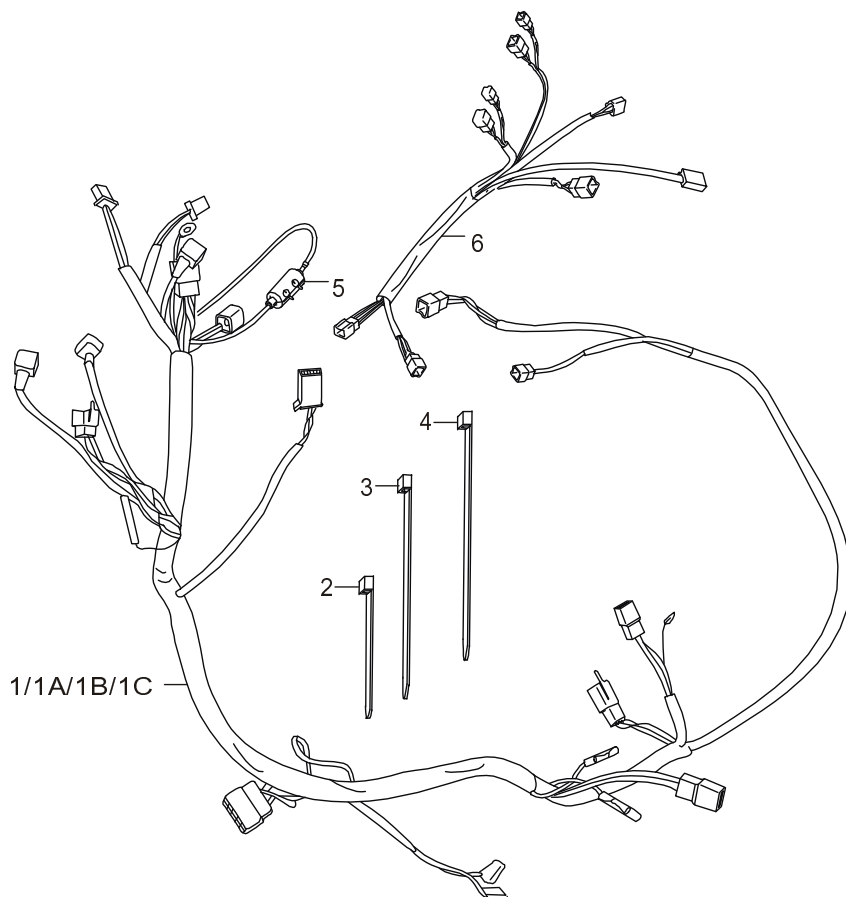
23

FIG.23

ЭЛЕКТРИЧЕСКИЕ ЧАСТИ

Ref.No.	Part No.	Description	Q'ty	Remarks
1	<u>31800OKG3000</u> QM100-7C.70-00	Relay assy, starting motor	1	
2	<u>31801OKG3000</u> QM100-7C.70.1-00	Relay, starting motor	1	
3	<u>31851OKG3000</u> QM100-7C.70-01	Holder, relay	1	
4	<u>32900QKXZ000</u> M150FMG-D-4(T)	CDUnit	1	
5	<u>32801QKXZ000</u> QM110-3.71-00	Regulator comp	1	
6	01604Q060251	Bolt M6x25	2	
7	33401QKX3000	Ignition coil assy	1	
8	<u>01504Q060161</u> GB5783-86	Bolt M6x16	2	
9	<u>38601QLBK000</u> QM125-2V.73-00	Flashing relay	1	
10	<u>38501QAA2000</u> QM50QT-B.63-00	Horn comp	1	
11	<u>02304Q060121</u> GB5/T5789-86	Bolt M6x12	1	
12	<u>37100QKX3000</u> QM110-3C.65.1-00	Switch assy, ignition	1	
13	<u>03421Q060101</u> GB819-85	Screw M6x10	2	

FIG.24



QM110-3C

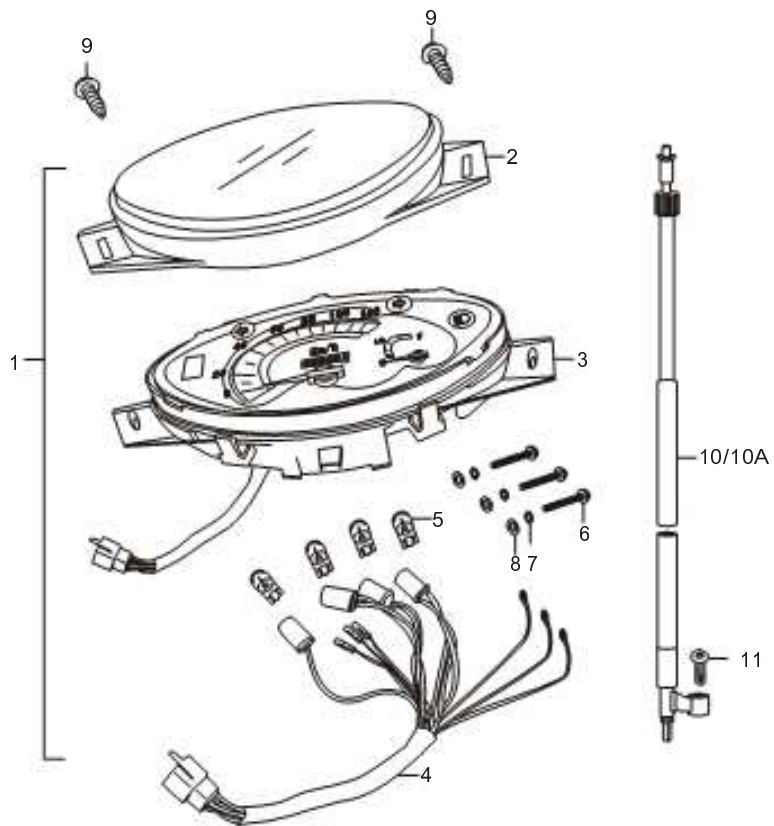
24

FIG.24

ПРОВОДКА

Ref.No.	Part No.	Description	Q'ty	Remarks
1	<u>36610QKX3000</u> QM110-3C.67-00	Wiring harness	1	
1A	<u>36610QKX3180</u> QM110-3C.67-00	Wiring harness	1	
1B	<u>36610QKX3000</u> QM110-3C.67-00	Wiring harness	1	
1C		Wiring harness	1	
2	09407Q154002	Band, nylon ZD150x7	1	
3	09407Q204001	Band, nylon ZD200x7	2	
4	09407Q254001	Band, nylon ZD250x7	1	
5		Fuse assy	2	
6	<u>36620QKX3000</u> QM110-3C.67.1-00	Wiring	1	

FIG.25



25

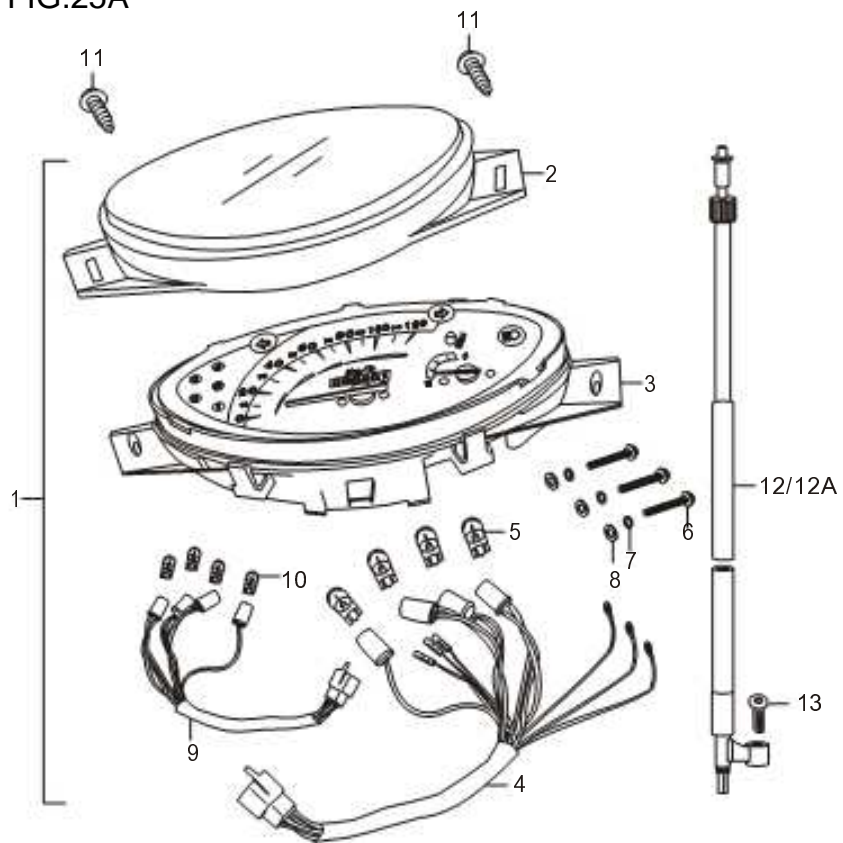
FIG.25

СПИДОМЕТР

Ref.No.	Part No.	Description	Q'ty	Remarks
1	<u>34102OKX3000</u> QM110-3C.64.1-00	Speedometer assy	1	
2	<u>34114QKX3000</u> QM110-3C.64.1-4	Lens, speedometer	1	
3		Lower case	1	
4		Wiring harness, speedometer	1	
5	<u>07112Q010101</u> GB/T15766.3-2000	Bulb W2W	4	
6		Screw	3	
7		Washer	3	
8		Washer	3	
9	<u>04010Q051602</u> GB/T845-85	Screw ST4.8x16	2	
10	<u>34910.QKX3000</u> QM110-3C.64.2-00	Cable assy, speedometer	1	
10A		Cable assy, speedometer	1	
11		Screw M5x16	1	

QM110-3C

FIG.25A



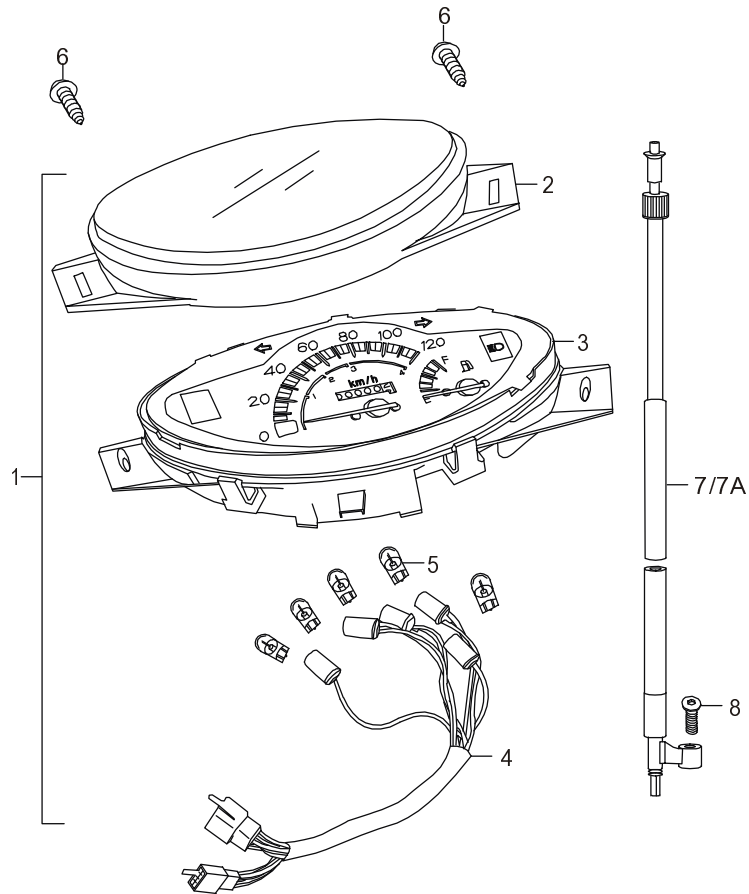
25A
FIG.25A

СПИДОМЕТР

Ref.No.	Part No.	Description	Q'ty	Remarks
1	34102QKM1030	Speedometer assy	1	
2		Lens, speedometer	1	
3		Lower case	1	
4		Wiring harness, speedometer	1	
5	<u>07112Q010101</u> GB/T15766.3-2000	Bulb W2W	4	
6		Screw	3	
7		Washer	3	
8		Washer	3	
9		Cable assy	1	
10		Bulb	4	
11	<u>04010Q051602</u> GB/T845-85	Screw ST4.8x16	2	
12	<u>34910 QKX3000</u> QM110-3C.64.2-00	Cable assy, speedometer	1	
12A		Cable assy, speedometer	1	
13		Screw M5x16	1	

QM110-3C

FIG.25B



QM110-3C

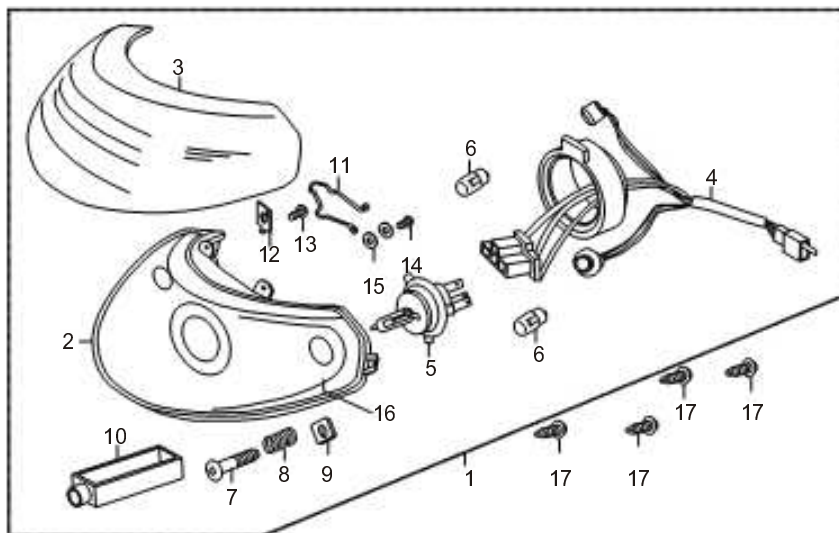
25B

FIG.25B

СПИДОМЕТР

Ref.No.	Part No.	Description	Q'ty	Remarks
1	34102QKX3010	Speedometer assy	1	
2		Lens, speedometer	1	
3		Lower case	1	
4		Wiring harness, speedometer	1	
5	<u>071120010101</u> GB/T15766.3-2000	Bulb W2W	5	
6	<u>09132Q040003</u> GB/T 973	Screw ST4.8x16	2	
7	<u>34910_QKX3000</u> QM110-3C.64.2-00	Cable assy, speedometer	1	
7A		Cable assy, speedometer	1	
8		Screw M5x16	1	

FIG.26



26

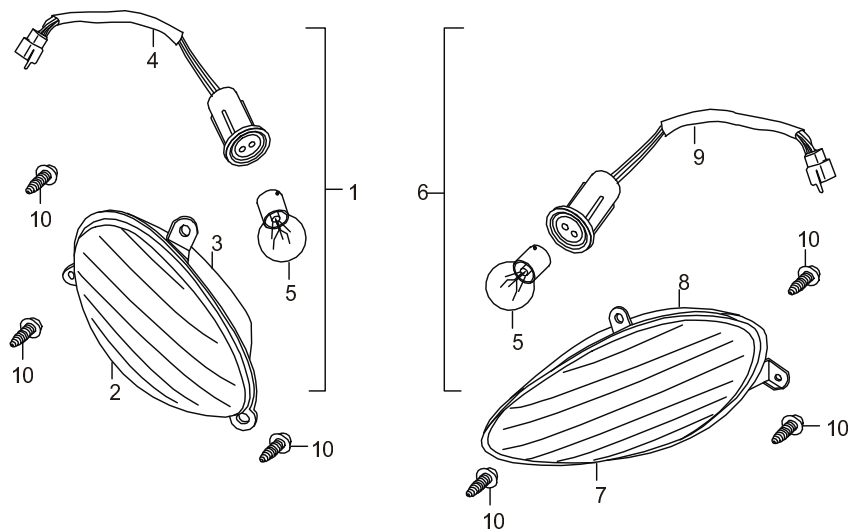
FIG.26

ΦAPA

Ref.No.	Part No.	Description	Q'ty	Remarks
1	<u>35101QKX3000</u> QM110-3C.62.1-00	Headlamp assy	1	
2		Hood, headlamp	1	
3	35124QKX3000	Lens, headlamp	1	
4		Wiring assy, headlamp	1	
5	07110Q003121	Bulb HS1	1	
6	07110Q011121	Bulb 12V 5W	2	
7	35153QKX3000	Screw	1	
8	35163QKX3000	Spring	1	
9	35157QKX3000	Nut	1	
10	35162QKX3000	Rubber cover	1	
11	35127QKX3000	Spring	1	
12	35194QKX3000	Stopper plate	1	
13	<u>04010Q021054</u> GB/T845-85	Screw ST2.9x10.5	1	
14	<u>04010Q021054</u> GB/T845-85	Screw ST2.9x10.5	1	
15		Washer	2	
16		Case	1	
17	<u>04010Q041302</u> GB/T845-85	Screw ST4.2x13	4	

QM110-3C

FIG.27



QM110-3C

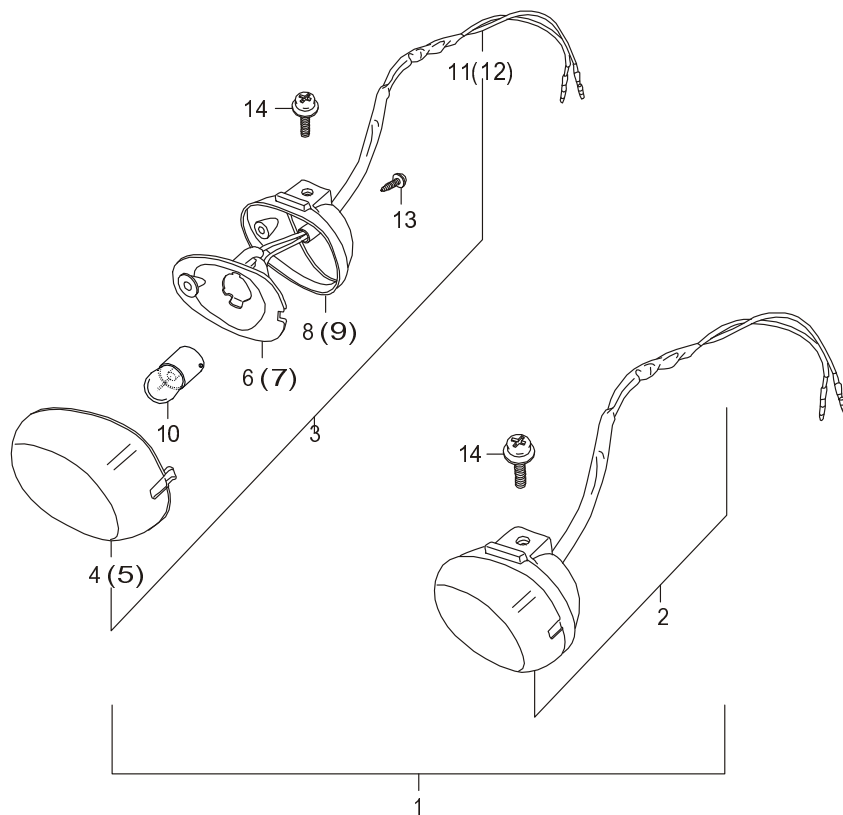
27

FIG.27

УКАЗАТЕЛИ ПОВОРОТОВ

Ref.No.	Part No.	Description	Q'ty	Remarks
1	<u>35601QKX3000</u> QM110-3C.62.2.1-00	Front winker assy, RH	1	
2	35612QKX3000	Lens, front winker RH	1	
3	35614QKX3000	Body, front winker RH	1	
4	35610QKX3000	Wiring assy, RH	1	
5	07110Q009121	Bulb R10W	2	
6	<u>35602QKX3000</u> QM110-3C.62.2.2-00	Front winker assy, LH	1	
7	35632QKX3000	Lens, front winker LH	1	
8	35634QKX3000	Body, front winke LH	1	
9	35630QKX3000	Wiring assy, LH	1	
10	<u>04010Q041302</u> GB/T845-85	Screw ST4.2x13	6	

FIG.27A
(Option)



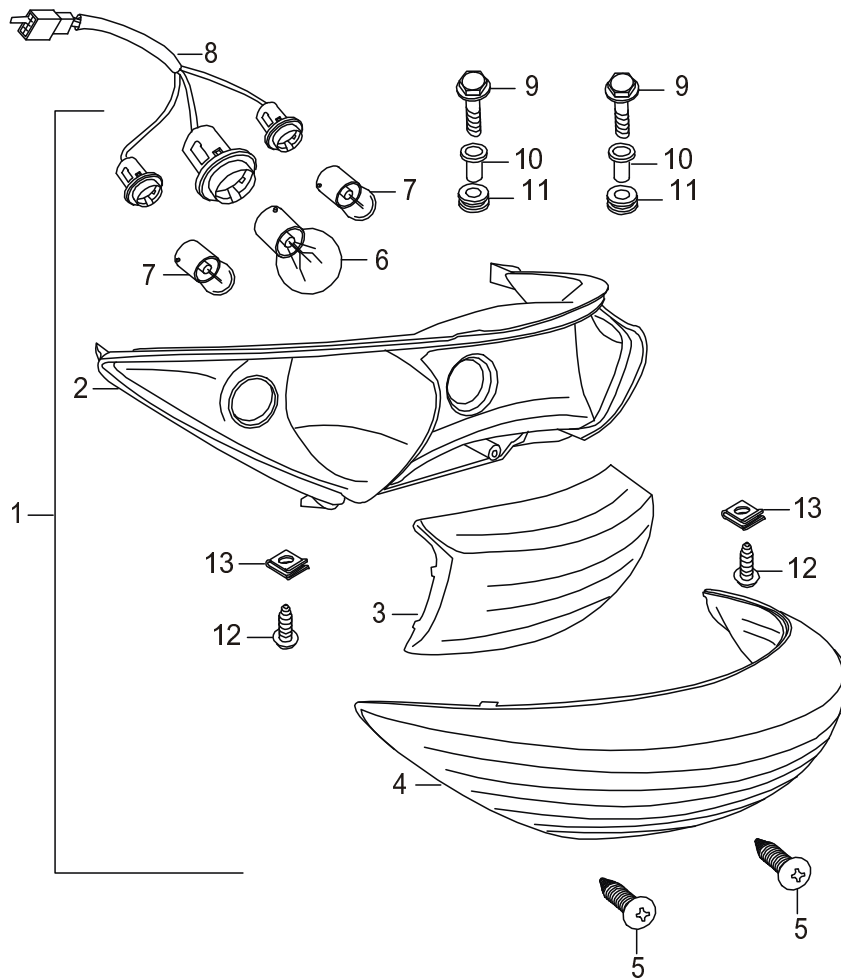
27A
FIG.27A

УКАЗАТЕЛИ ПОВОРОТОВ

Ref.No.	Part No.	Description	Q'ty	Remarks
1	QM125T-10E.69-00	Front winker assy	1	
2	QM125T-10E.69.1-00	Front winker assy, LH	1	
3	QM125T-10E.69.2-00	Front winker assy RH	1	
4		Lens, front winker LH	1	
5		Lens, front winker RH	1	
6		Socket assy, front winker LH	1	
7		Socket assy, front winker RH	1	
8		Body, front winker LH	1	
9		Body, front winker RH	1	
10		Bulb	2	
11		Wire assy, front winker LH	1	
12		Wire assy, front winker RH	1	
13		Screw	2	
14	GB9074.3-88	Screw M5x12	2	

QM110-3C

FIG.28



QM110-3C

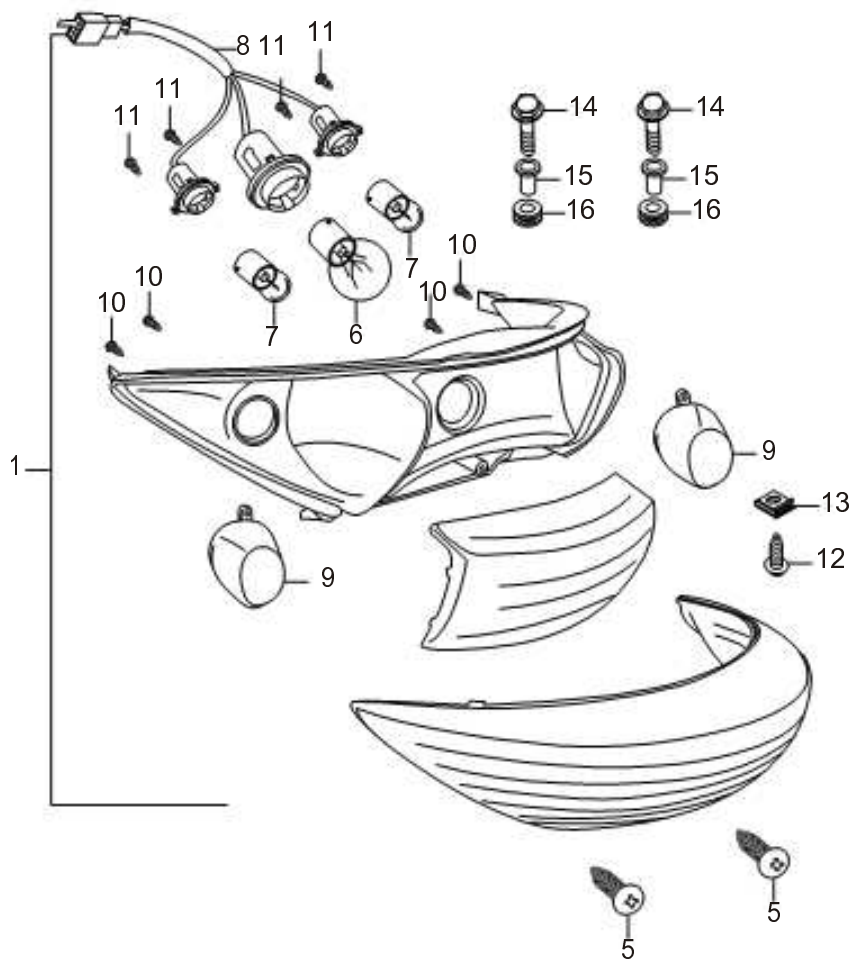
28

FIG.28

ФОНАРЬ ЗАДНИЙ

Ref.No.	Part No.	Description	Q'ty	Remarks
1	35702QKX3000	Tail lamp assy	1	
2	35715QKX3000	Body, tail lamp	1	
3	35712QKX3000	Lens, tail lamp	1	
4	35653QKX3000	Lens, rear winker	1	
5	04010Q041301 GB/T845-85	Screw ST4.2x13	2	
6	07110Q007121	Bulb P21/5W	1	
7	07110Q009122	Bulb R10W	2	
8		Wiring assy, tail lamp	1	
9	02324Q060251 GB/T5789-86	Bolt M6x25	2	
10	09301Q060003 QM125-10N.62.2-4	Spacer	2	
11	09320Q090005 QM125-10N.62.2-1	Rubber grommet	2	
12	04010Q041302 GB/T845-85	Screw ST4.2x13	2	
13	09148Q04001 AG50.38-3	Clip	2	

FIG.28A



28A

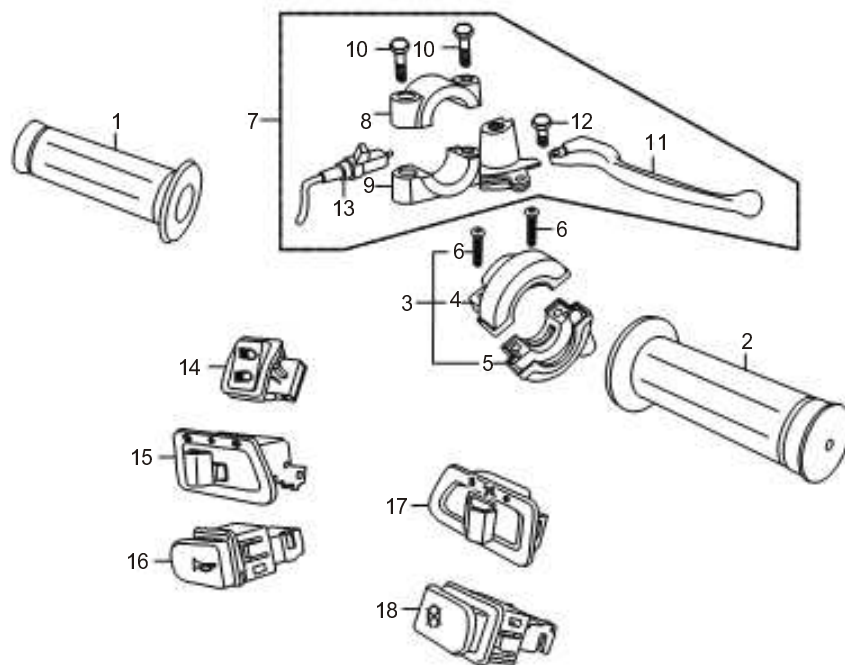
FIG.28A

ФОНАРЬ ЗАДНИЙ

Ref.No.	Part No.	Description	Q'ty	Remarks
1	35702QKX3220	Tail lamp assy	1	
2	35715QKX3020	Body, tail lamp	1	
3	35712QKX3020	Lens, tail lamp	1	
4	35653QKX3020	Lens, rear winker	1	
5	04010Q041201 GB/T845-85	Screw ST4.2x13	2	
6	07110Q007121	Bulb 12V 21W/5W	1	
7	07110Q009121	Bulb 12V 10W	2	
8		Wiring assy, tail lamp	1	
9		Lens, rear winker	2	
10		Screw	4	
11		Screw	4	
12	09132Q040009 GB/T 973 头	Screw ST4.2x13	2	
13	09148Q04001 AG50.38-3	Clip	2	
14	02324Q06252 GB/T 5789-86	Bolt M6x25	2	
15	09301Q060003 QM125-10N.62.2-4	Spacer	2	
16	09320Q090005 QM125-10N.62.2-1	Rubber grommet	2	

QM110-3C

FIG.29



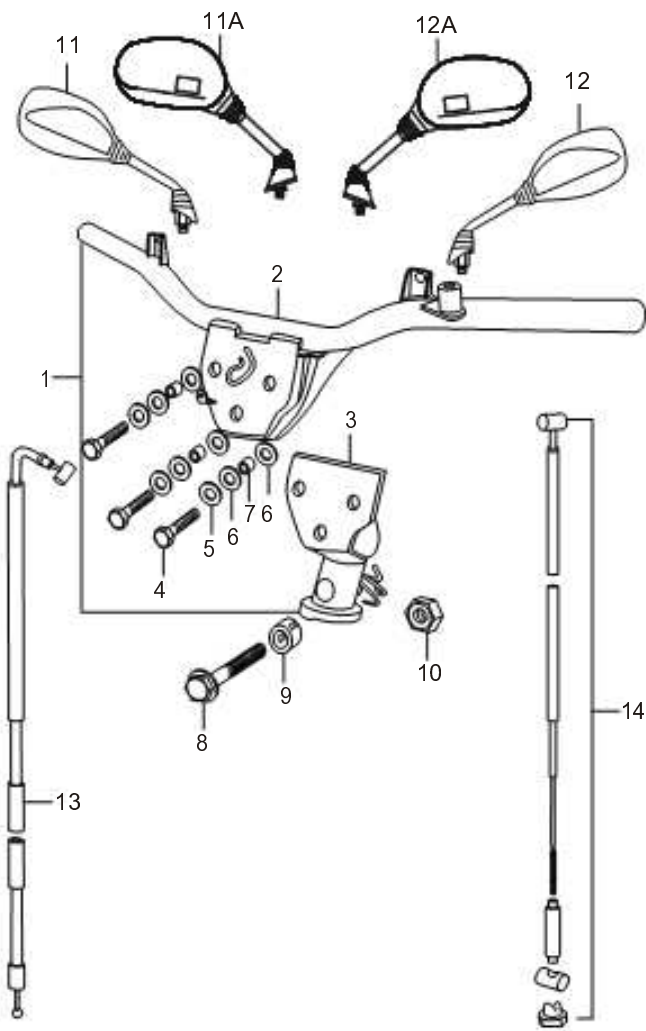
29

FIG.29 РУЧКИ РУЛЯ / КНОПКИ

Ref.No.	Part No.	Description	Q'ty	Remarks
1	57211QACZ000 QM50QT-3.32-1	Grip. LH	1	
2	57110QACZ000 QM50QT-3.32.1-00	Grip comp, throttle	1	
3	57120QKX3000 QM110-3C.32.2-00	Case assy, throttle grip	1	
4	57121QKX3000 QM110-3C.32.2-1	Upper case assy, throttle	1	
5	57131QKX3000 QM110-3C.32.2-2	Lower case assy, throttle	1	
6	57141QKX3000 QM110-3C.32.2-3	Screw	2	
7	57300QKX3000 QM110-3C.32.7-00	Brake lever assy, RH	1	
8	57361QKX3000 QM110-3C.32.7-2	Fixed cover, brake lever	1	
9	57311QKX3000 QM110-3C.32.7-1	Bracket, brake lever	1	
10	57341QKX3000 QM110-3C.32.7-5	Bolt	2	
11	57421QKX3000 QM110-3C.32.7-3	Brake lever. RH	1	
12	57431QKX3000 QM110-3C.32.7-4	Bolt	1	
13	57460QKX3000	Switch assy, front brake	1	
14	37420QAA7000	Dimmer switch assy	1	
15	37440QAA7000	Winker switch assy	1	
16	37450QAA7000	Horn Button assy	1	
17	37230QAA7000	Lamp switch assy	1	
18	37220QAA7000	Starter Button assy	1	

QM110-3C

FIG.30



QM110-3C

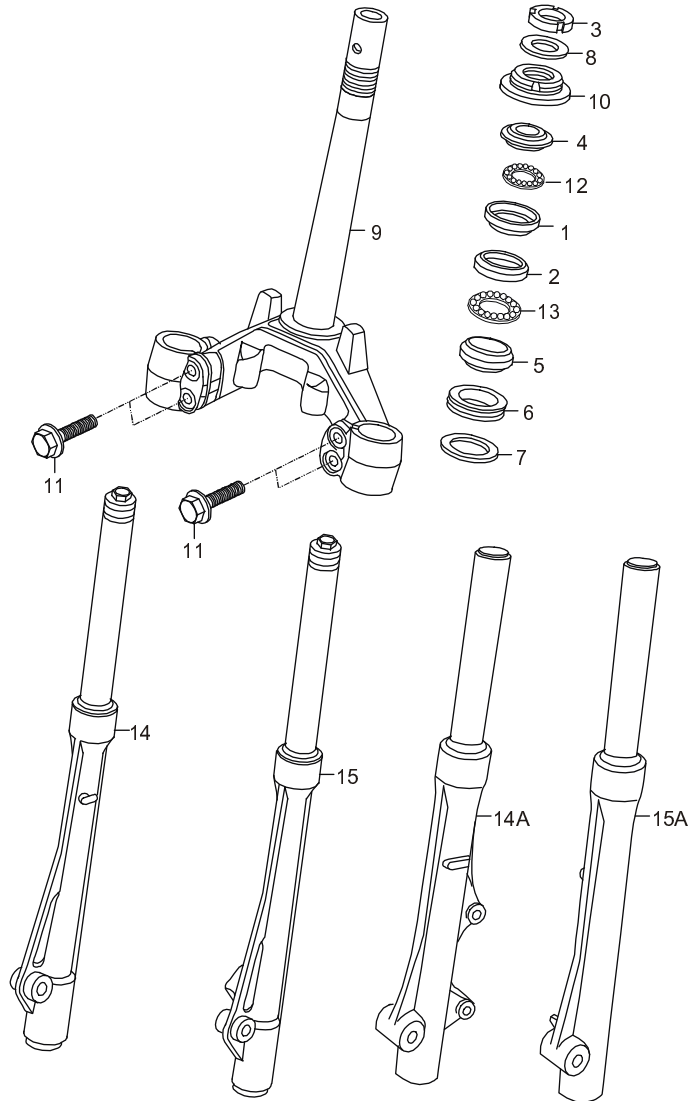
30

FIG.30

РУЛЪ

Ref.No.	Part No.	Description	Q'ty	Remarks
1	QM110-3C.32.1-00	Handlebar assy	1	
2	56110QKX3000 QM110-3C.32.1-00	Handlebar	1	
3	56130QKX3000 QM110-3C.32.5-00	Holder comp, handle	1	
4	01401Q080253 GB/T5781-2000	Bolt	3	
5	56215QKMZ000 QM100-12.32.1-3	Washer	3	
6	09320Q140001 QM100-12.32.1-1	Rubber grommet	6	
7	56216QKMZ000 QM100-12.32.1-2	Spacer	3	
8	02304Q100503 GB/T 5789	Bolt M10x1.25x50	1	
9	56213QKX3000 QM110-3C.32-2	Spacer	1	
10	05409Q103101 GB/T6187.2	Nut M10x1.25	1	
11	56501QKX3000 QM110-3C.32.3-00	Mirror assy, RH	1	
11A		Mirror assy, RH	1	
12	56601QKX3000 QM110-3C.32.6-00	Mirrorassy, LH	1	
12A		Mirrorassy, LH	1	
13	58300QKX3000 QM110-3C.32.4-00	Cable assy, throttle	1	
14	58100QKGZ000 QM100-7.32.5-00	Cable assy, front brake	1	

FIG.31



QM110-3C

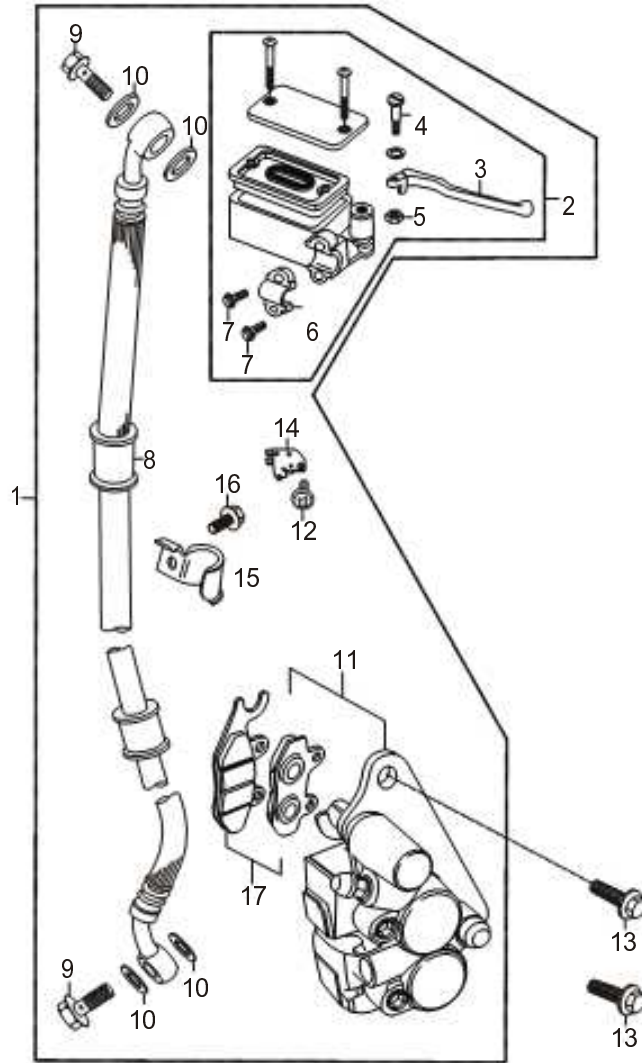
31

FIG.31

ПЕРЕДНЯЯ ВИЛКА

Ref.No.	Part No.	Description	Q'ty	Remarks
1	51611QKX3000 QM110-3C.31-05	Steering ball race, upper, inner	1	
2	51622QKX3000 QM110-3C.31-07	Steering ball race, lower, outer	1	
3	51631QKX3000 QM110-3C.31-02	Nut, steering stem	1	
4	51621QKX3000 QM110-3C.31-04	Steering ball race, upper, outer	1	
5	51612QKX3000 QM110-3C.31-06	Steering ball race, upper, inner	1	
6	51645QKX3000 QM110-3C.31-08	Dust seal	1	
7	51646QKX3000 QM110-3C.31-09	Washer, steering head, dust seal	1	
8	51410QKX3000 QM110-3C.31.1-00	Lock washer	1	
9	51632QKX3000 QM110-3C.31-01	Steering stem	1	
10	0250400454 GB/T16674.2-2004	Nut, lock	1	
11	51650QKX3000 QM110-3C.31.4-00	Bolt M10x1.25x45	4	
12	51660QKX3000 QM110-3C.31.5-00	Steel ball assy, upper	1	
13	51103QKX3000 QM110-3C.31.2-00	Steel ball assy, lower	1	
14	51103QKX3000 QM110-3C.31.2-00	Shock absorb tube, RH	1	
14A	51103QKX3020 QM110-3C.31a.2-00	Shock absorb tube, RH	1	
15	51104QKX3000 QM110-3C.31.2-01	Shock absorb tube, LH	1	
15A	51104QKX3020 QM110-3C.31a.2-01	Shock absorb tube, LH	1	

FIG.32
(Option)



QM110-3C

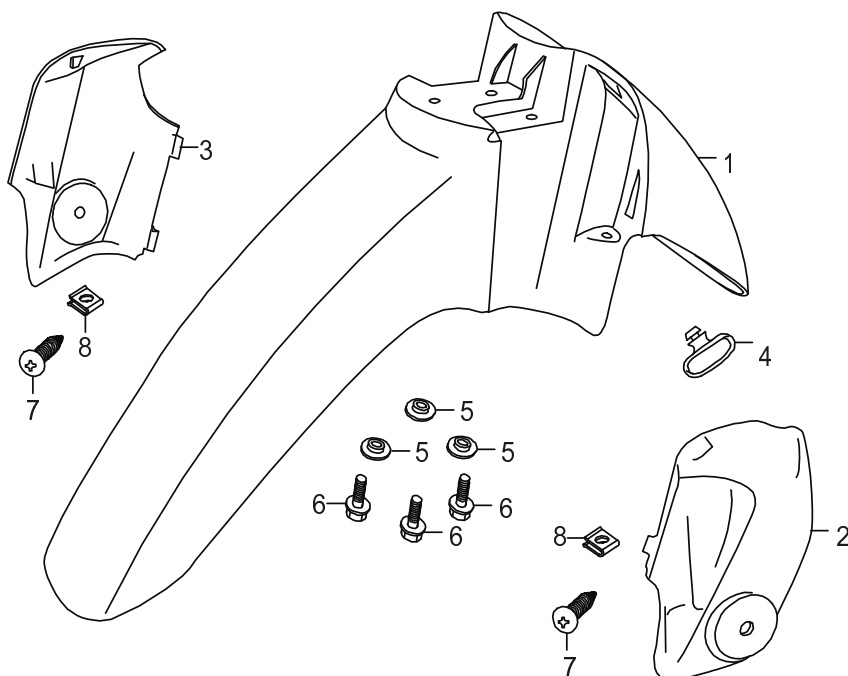
32

FIG.32

ПЕРЕДНИЙ ТОРМОЗ

Ref.No.	Part No.	Description	Q'ty	Remarks
1	<u>59000OKX3020</u> QM110-3C.83-00	Disk brake assy	1	
2	<u>59600OKX3020</u> QM110-3C.83.1-00	Master cylinder assy	1	
3	<u>57421OKX3000</u> QM110-3C.32.7-3	Brake lever, RH	1	
4	57431QKMZ010	Bolt, brake lever	1	
5	05409Q041063	Nut M6, brake lever	1	
6	<u>59671QKMZ010</u> QM100-12.83.1-9	Bracket, master cylinder	1	
7	02104Q060223	Bolt M6x22	2	
8	<u>59280QKMZ010</u> QM100-12.83.3-00	Hose assy, front brake	1	
9	<u>59291QKMZ010</u> QM100-12.83-1	Bolt, hollow	2	
10	<u>59293QKMZ010</u> QM100-12.83.2-00	Washer, hollow bolt	4	
11	<u>59100QKMZ010</u> QM100-12.83.4-00	Brake caliper assy	1	
12	03411Q340123	Screw	1	
13	<u>01301Q080251</u> GB/T16674	Bolt M8x25	2	
14	<u>57460QKMZ010</u> QM100-12.83.1.2-00	Switch assy, stop lamp	1	
15		Clamp	1	
16	02104Q060122	Bolt M6x12	1	
17		Pad set	1	

FIG.33



QM110-3C

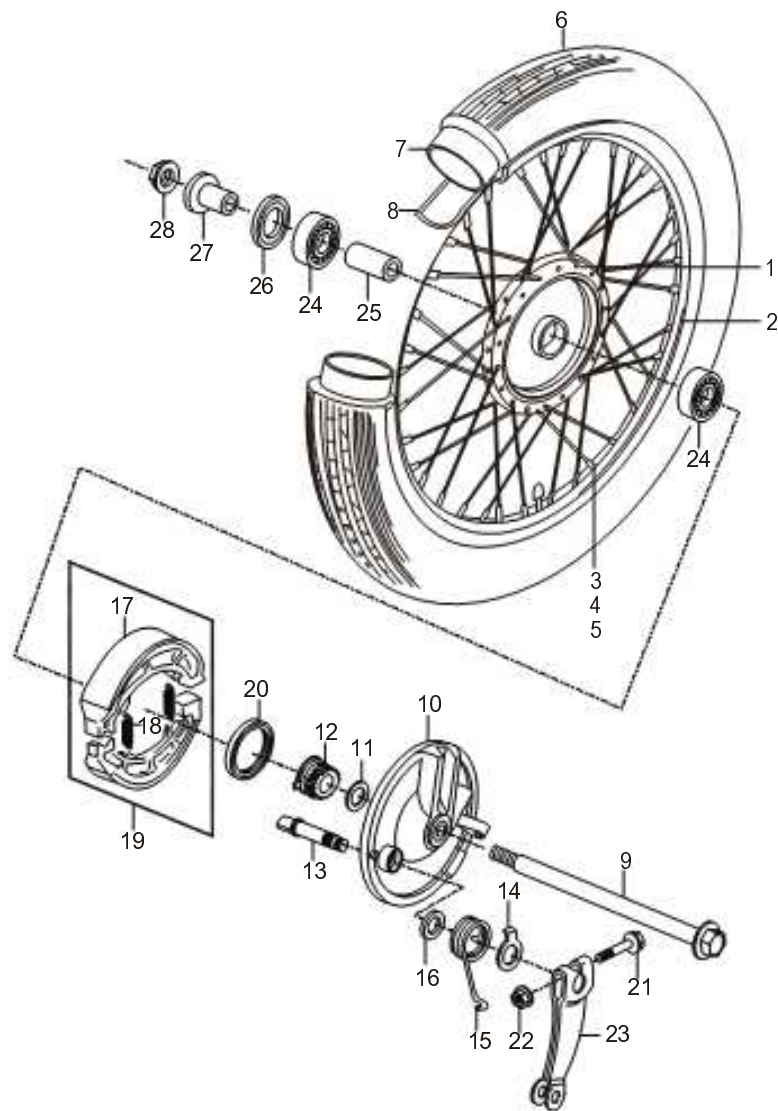
33

FIG.33

КРЫЛО ПЕРЕДНЕЕ

Ref.No.	Part No.	Description	Q'ty	Remarks
1	<u>53110KX4000</u> QM110-3D.37-01	Front fender	1	
2	<u>53161QKX4000</u> QM110-3D37-02	Cover, LH, front fender	1	
3	<u>53151QKX4000</u> QM110-3D.37-03	Cover, RH, front fender.	1	
4	<u>58621QKX3000</u> QM110-3C.37-04	Grommet, wire	1	
5	<u>09169Q060007</u> QM100-7B.37-05	Washer	3	
6	<u>01504Q060161</u> GB5783-86 <u>09132Q040003</u>	Bolt M6x16	3	
7	GB/T 973	Screw ST4.8x16	2	
8	<u>09148Q040001</u> AG50.38-3	Clip	2	

FIG.34



QM110-3C

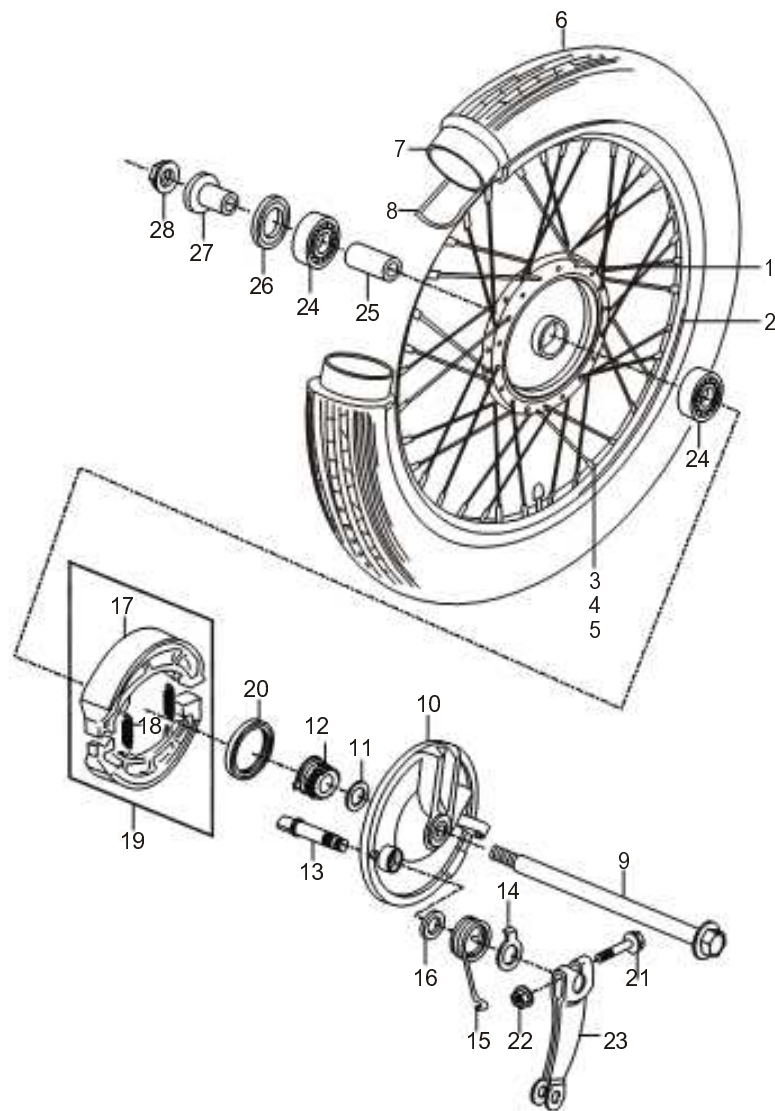
34

FIG.34

ДИСК ПЕРЕДНИЙ

Ref.No.	Part No.	Description	Q'ty	Remarks
1	<u>54110QKX3000</u> QM110-3C.33.3-00	Hub, front wheel	1	
2	<u>55311QJLZ000</u> QS90.33-6	Rim 1.4-17	1	
3	<u>55322QKX3000</u> QM110-3C.33-05	Spoke, outer	18	
4	<u>55321QKX3000</u> QM110-3C.33-04	Spoke, inner	18	
5	<u>65326QJLZ000</u> QS90.34-23	Nut	36	
6	<u>55110QJLZ000</u> QS90.33.4-1	Tyre	1	
7	<u>55200QJLZ000</u> QS90.33.4.1-00	Tube, inner	1	
8	<u>55211QJLZ000</u> QS90.33.4-2	Protector, inner tube	1	
9	<u>54711QKX3000</u> QM110-3C.33-01	Axle, front wheel	1	
10		Panel comp, front Brake	1	
11	<u>54642QKX3000</u> QM110-3C.33-2	Washer	1	
12	<u>54611QKX3000</u> QM110-3C.33-11	Gear, speedometer	1	
13	<u>54441QKX3000</u> QM110-3C.33-4	Cam, FR brake	1	
14	<u>54492QKX3000</u> QM110-3C.33-6	Indicator, FR, brake	1	
15	<u>09448Q320001</u> QM110-3C.33-8	Spring, FR. Brake.	1	
16	<u>54465QKX3000</u> QM110-3C.33-7	Dust seal, brake cam	1	
17	<u>54410QKX3000</u> QM110-3C.33.1.1-00	Brake shoe	2	
18	<u>09443Q080003</u> QM110-3C.33-15	Spring, brake Shoe	2	
19		Brake shoe assy	2	
20	<u>09285Q470001</u> QM110-3C.33-5-00	Dust seal	1	

FIG.34



QM110-3C

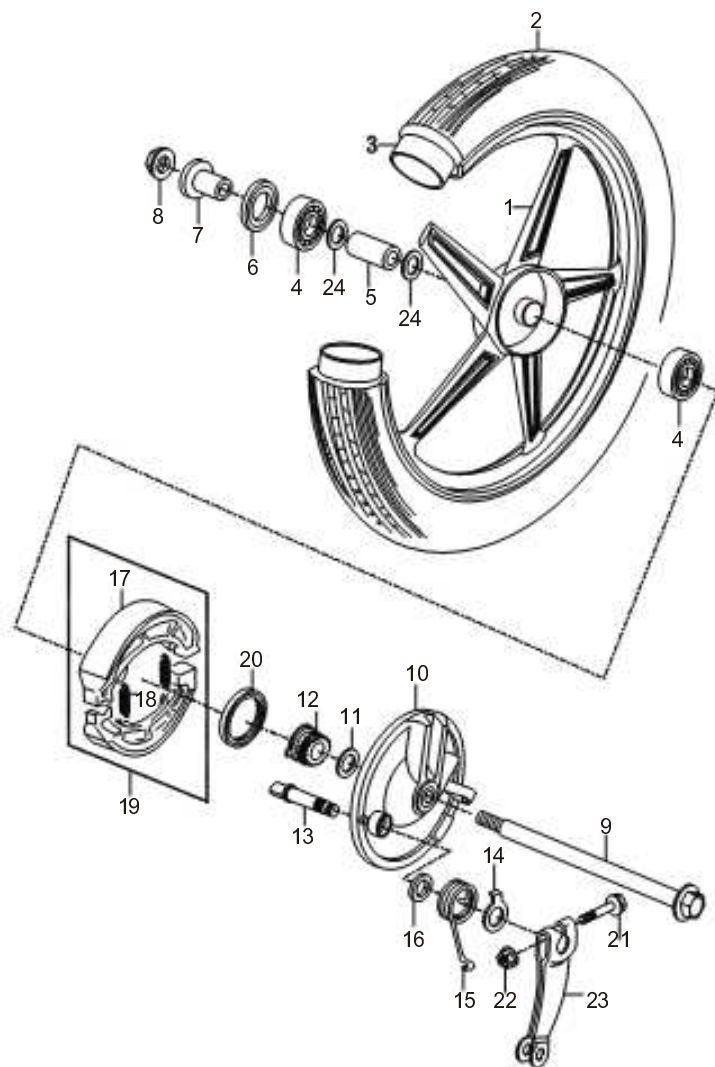
34

FIG.34

ДИСК ПЕРЕДНИЙ

Ref.No.	Part No.	Description	Q'ty	Remarks
21	<u>02104Q060301</u> GB/T16674.1-2004	Bolt M6x30	1	
22	<u>05404Q011061</u> GB/6177.1-2000	Nut M6	1	
23	<u>54451QKX3000</u> QM110-3C.33-5	Lever, front brake cam	1	
24	<u>05570Q006301</u> GB/T276-94	Bearing 6301-RS	2	
25	<u>09180Q120007</u> QM110-3C.33-9	Spacer, FR axle	1	
26	<u>09283Q210001</u> QM110-3C.33.4-00	Oil seal	1	
27	<u>54741QKX3000</u> QM110-3C.33-10	Collar, FR. wheel	1	
28	<u>05409Q093121</u> GB/T6187.2-2000	Nut M12x1.25	1	

FIG.34A
(Option)



QM110-3C

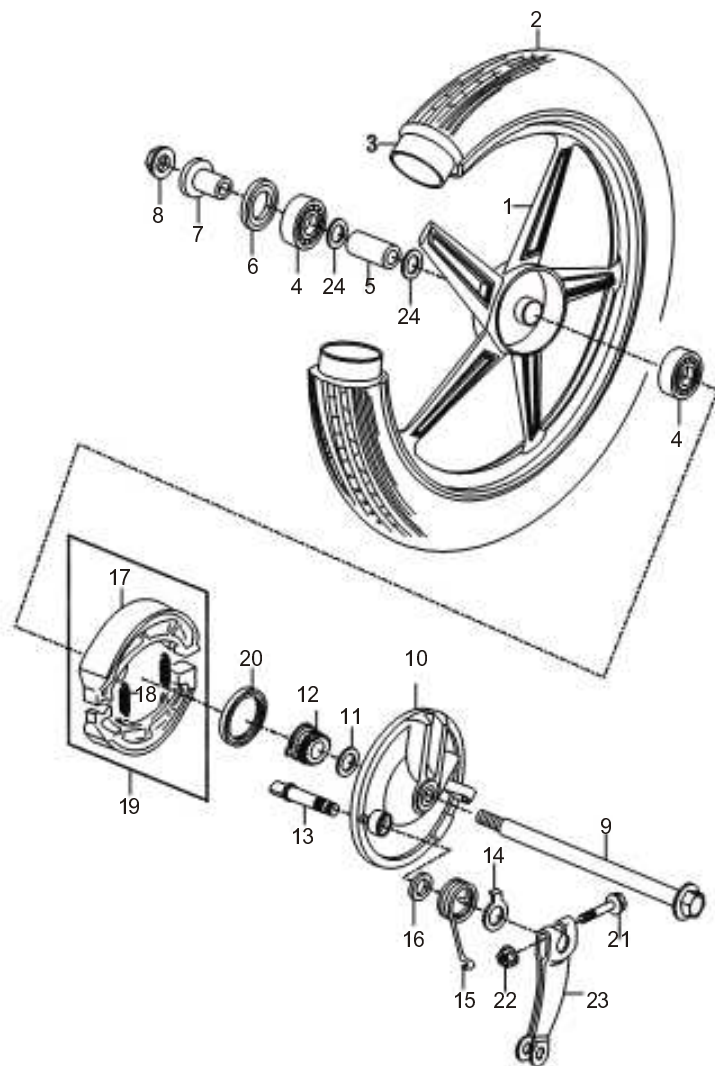
34A

FIG.34A

ДИСК ПЕРЕДНИЙ

Ref.No.	Part No.	Description	Q'ty	Remarks
1	<u>54110OKX3010</u> QM110-3C(II).33.3-00	Hub, front wheel	1	
2	<u>55110QILZ000</u> QS90.33.4-1	Tyre	1	
3	<u>55200QILZ000</u> QS90.33.4.1-00	Tube, inner	1	
4	<u>05570Q006301</u> GB/T276-94	Bearing 6301-RS	2	
5	<u>09180Q120007</u> QM110-3C.33-9	Spacer, FR. axle	1	
6	<u>09283Q210001</u> QM110-3C.33.4-00	Oil seal	1	
7	<u>54741OKX3000</u> QM110-3C.33-10	Collar, FR. wheel	1	
8	<u>05409Q093121</u> GB/T6187.2-2000	Nut M12x1.25	1	
9	<u>54711OKX3000</u> QM110-3C.33-01	Axle, front wheel	1	
10		Panel comp, FR Brake	1	
11	<u>54642OKX3000</u> QM110-3C.33-2	Washer	1	
12	<u>54611OKX3000</u> QM110-3C.33-11	Gear, speedometer	1	
13	<u>54441OKX3000</u> QM110-3C.33-4	Cam, FR brake	1	
14	<u>54492QKX3000</u> QM110-3C.33-6	Indicator, FR, brake	1	
15	<u>09448Q320001</u> QM110-3C.33-8	Spring, FR.brake.	1	
16	<u>54465QKX3000</u> QM110-3C.33-7	Dust seal, brake cam	1	
17	<u>54410OKX3000</u> QM110-3C.33.1.1-00	Brake shoe	2	
18	<u>09443Q080003</u> QM110-3C.33-15	Spring, brake Shoe	2	
19		Brake shoe assy	2	
20	<u>09285Q470001</u> QM110-3C.33-5-00	Oil seal	1	

FIG.34A
(Option)



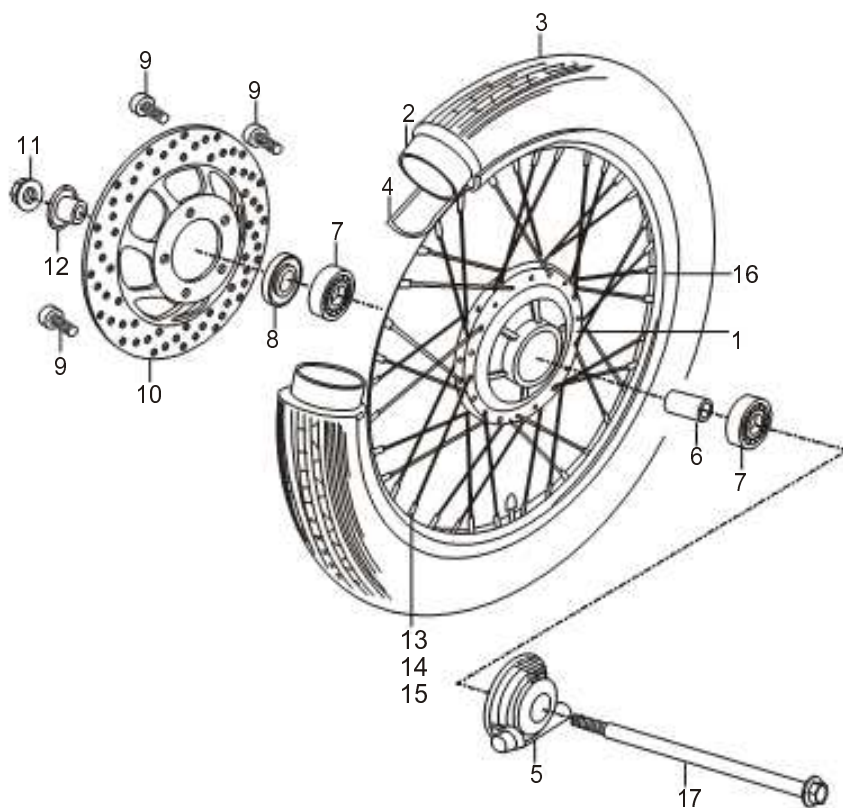
34A
FIG.34A

ДИСК ПЕРЕДНИЙ

Ref.No.	Part No.	Description	Q'ty	Remarks
21	02104Q060301 GB/T16674.1-2004	Bolt M6x30	1	
22	05404Q011061 GB/6177.1-2000	Nut M6	1	
23	54451OKX3000 QM110-3C.33-5	Lever, front brake cam	1	
24		Support, spacer	2	

QM110-3C

FIG.34B
(Option)



34B

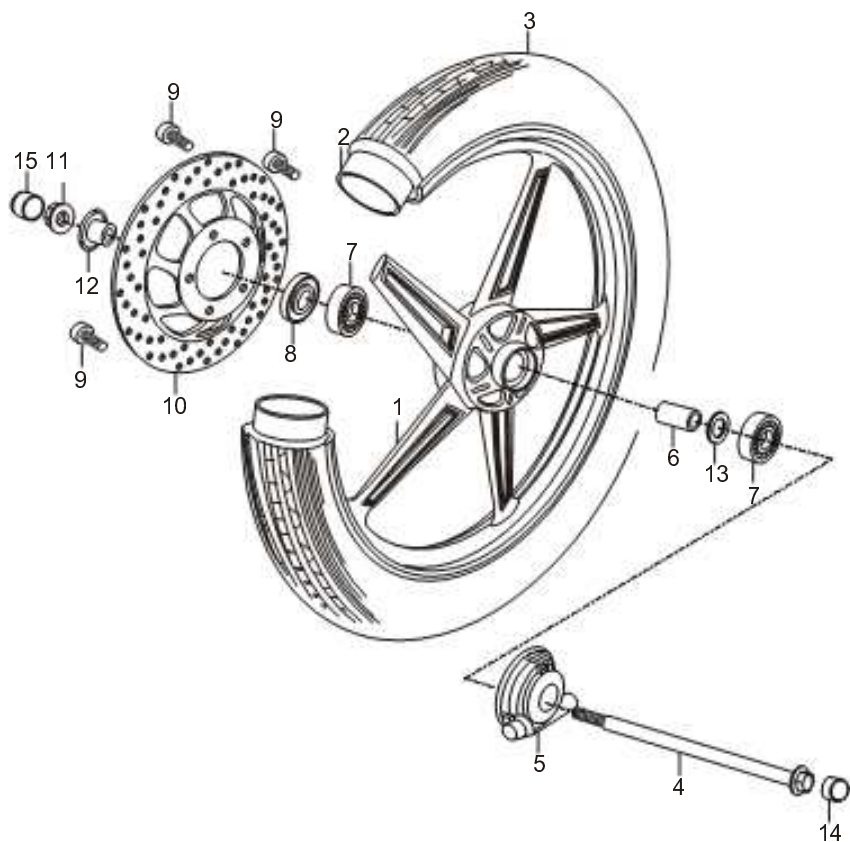
FIG.34B

ДИСК ПЕРЕДНИЙ

Ref.No.	Part No.	Description	Q'ty	Remarks
1	<u>54110OKX3020</u> QM110-3C(II).33.3-00	Hub, front wheel	1	
2	<u>55200QJLZ000</u> QS90.33.4.1-00	Tube, inner	1	
3	<u>55110QJLZ000</u> QS90.33.4-1	Tyre	1	
4	<u>55211QJLZ000</u> QS90.33.4-2	Protector, inner tube	1	
5	<u>54680OKMZ010</u> QM100-12.33.4.1-00	Gear box, speedometer	1	
6	<u>09180Q120007</u> QM110-3C.33-9	Spacer, FR. axle	1	
7	<u>05550Q160301</u> GB279-88	Bearing 6301RS	2	
8	<u>09283Q210001</u> QM110-3C.33.4-00	Oil seal	1	
9	02104Q060185	Bolt	5	
10	<u>59211OKMZ010</u> QM100-12.83-4	Disk, front brake	1	
11	<u>05409Q093121</u> GB/T6187.2-2000	Nut M12x1.25	1	
12	<u>54741OKX3000</u> QM110-3C.33-10	Collar, FR. Wheel	1	
13	<u>55322OKX3000</u> QM110-3C.33-05	Spoke, outer	18	
14	<u>55321OKX3000</u> QM110-3C.33-04	Spoke, inner	18	
15	<u>65326QJLZ000</u> QS90.34-23	Nut	36	
16	<u>55311QJLZ000</u> QS90.33-6	Rim 1.4-17	1	
17	<u>54711OKX3000</u> QM110-3C.33-01	Axle, front wheel	1	

QM110-3C

FIG.34C
(Option)



34C

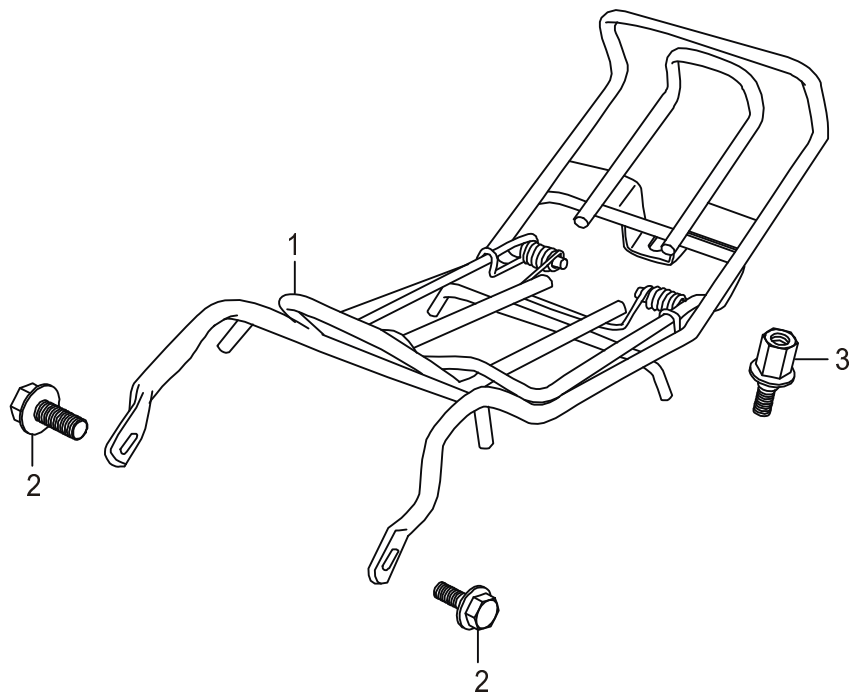
FIG.34C

ДИСК ПЕРЕДНИЙ

Ref.No.	Part No.	Description	Q'ty	Remarks
1	<u>54110OKX3020</u> QM110-3C(II).33.3-00	Hub, front wheel	1	
2	<u>55110QJLZ000</u> QS90.33.4-1	Tube, inner	1	
3	<u>55200QJLZ000</u> QS90.33.4.1-00	Tyre	1	
4	<u>54711OKX3000</u> QM110-3C.33-01	Axle, front wheel	1	
5	<u>54680OKMZ010</u> QM100-12.33.4.1-00	Gear box, speedometer	1	
6	<u>09180Q120007</u> QM110-3C.33-9	Spacer, FR axle	1	
7	<u>05550Q160301</u> GB279-88	Bearing 6301RS	2	
8	<u>09283Q210001</u> QM110-3C.33.4-00	Oil seal	1	
9	02104Q060185	Bolt	5	
10	<u>59211OKMZ010</u> QM100-12.83-4	Disk, front brake	1	
11	<u>05409Q093121</u> GB/T6187.2-2000	Nut M12x1.25	1	
12	<u>54741OKX3000</u> QM110-3C.33-10	Collar, FR. Wheel	1	
13		Support, spacer	2	
14		Rubber cap 17	1	
15		Rubber cap 14	1	

QM110-3C

FIG. 35
(Option)



35

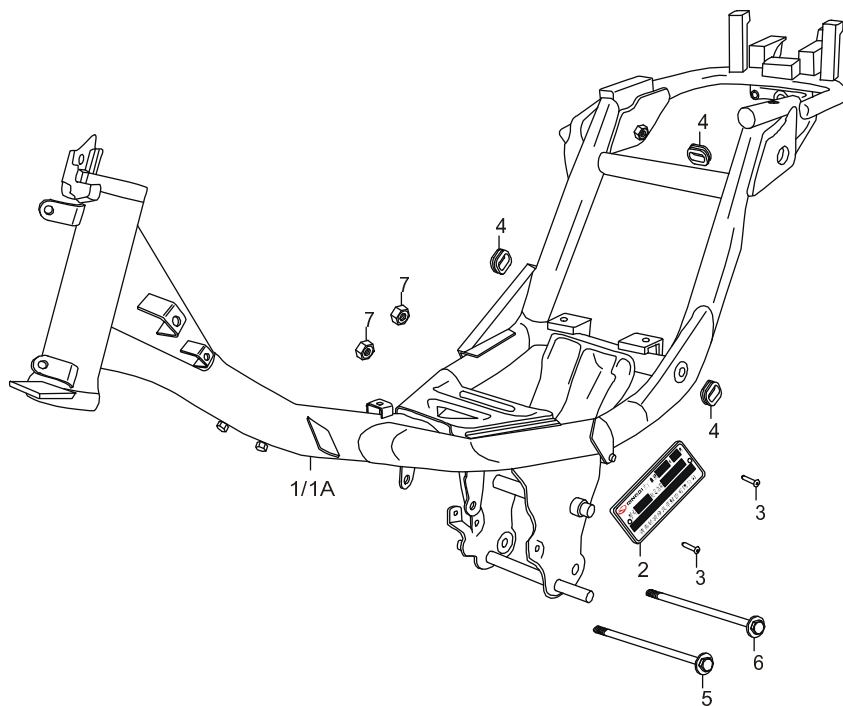
FIG.35

БАГАЖНИК

Ref.No.	Part No.	Description	Q'ty	Remarks
1	<u>46201OKX3000</u> QM110-3C.99.2.1-00	Middle carrier comp	1	
2	<u>02104Q060205</u> GB/T16674.1-2004	Bolt M6x20	2	
3	<u>46234OKX3000</u> QM110-3C.99.2-1	Bolt, joint	1	

QM110-3C

FIG.36



36

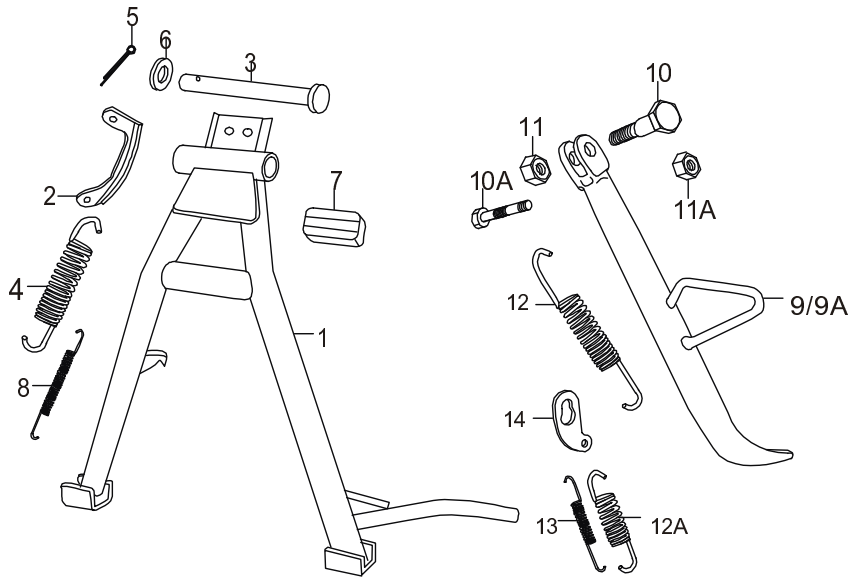
FIG.36

PAMA

Ref.No.	Part No.	Description	Q'ty	Remarks
1	<u>41100QKX3000</u> QM110-3C.30.1-00	Frame comp	1	
1A	41100QKX3180	Frame comp	1	
2	09600Q000001	Name plate, frame	1	
3	<u>05011Q200051</u> GB/T827-86	Rivet 3x7	2	
4	QM125-7A.44-2	Grommet, FR fender	3	
5	<u>01504Q081151</u> GB5783-86	Bolt M8x115	1	
6	<u>09103Q080001</u> QM110-3C.30-1	Bolt M8x113	1	
7	<u>05409Q083081</u> GB/T 6187.1	Nut M8	2	

QM110-3C

FIG.37



37

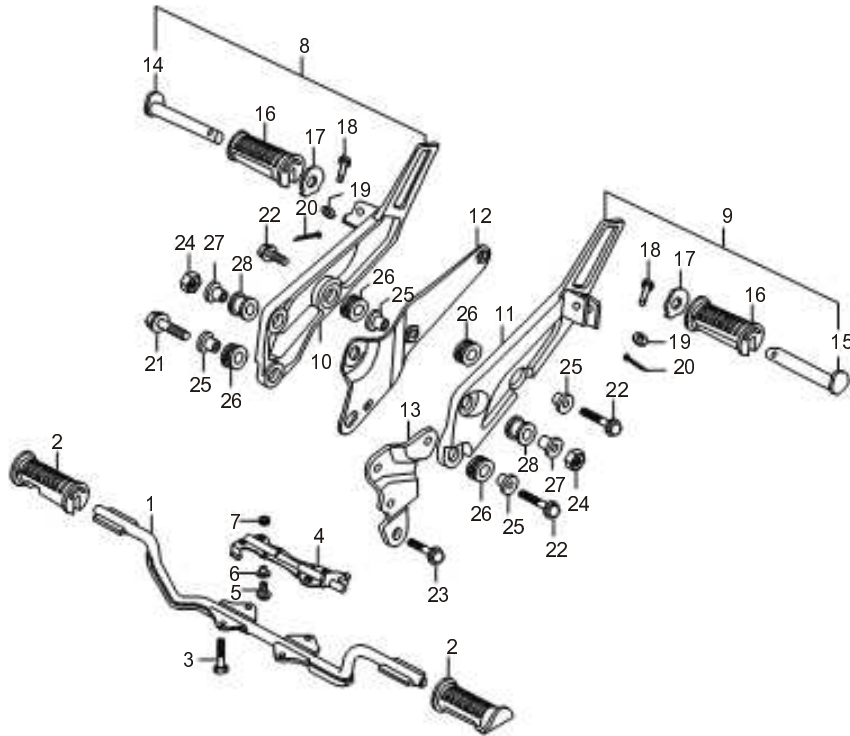
FIG.37

ПОДНОЖКИ

Ref.No.	Part No.	Description	Q'ty	Remarks
1	<u>42110QKX3000</u> QM110-3C.41.1-00	Central stand comp.	1	
2	<u>42251OKX3000</u> QM110-3C.41-1	Hook, main stand	1	
3	<u>42211OKX3000</u> QM110-3C.41-2	Shaft, central stand	1	
4	<u>09443Q170007</u> QM110-3C.41-3	Spring, central stand	1	
5	<u>04411Q300301</u> GB/T91-2000	Cotter pin 3x30	1	
6	<u>05420Q022161</u> GB/T97.1-2002	Washer 16	1	
7	<u>42261OKX3000</u> QM110-3C.41-4	Cushion	1	
8	<u>09443Q090002</u> QM50QT-6.41a-01	Spring, central stand, inner	1	
9	<u>42310QKX2000</u> QM110-3B.81.1-00	Side stand comp.	1	
9A	<u>42310QKX3220</u> QM110-3C(EC).81.1-00	Side stand comp.	1	
10	<u>09111Q100001</u> QM110-3B.81-2	Bolt	1	
10A	QM110-3C(EC).81-2	Bolt	1	
11	05401Q012101	Nut M10	1	
11A	GB6173	Nut M10	1	
12	<u>09443Q150006</u> QM110-3B.81-	Spring, side stand	1	
12A	42331QMD2040	Spring, side stand	1	
13	42332QMD2000	Spring side stand, inner	1	
14		Spring hook	1	

QM110-3C

FIG.38



QM110-3C

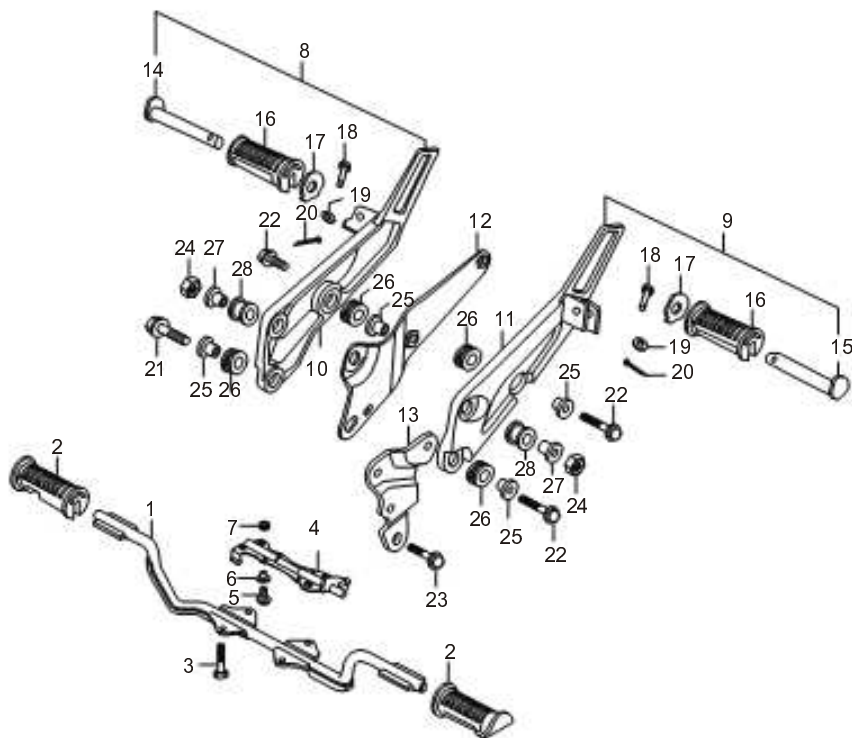
38

FIG.38

ПОДНОЖКИ

Ref.No.	Part No.	Description	Q'ty	Remarks
1	<u>43510QKX2000</u> QM110-3B.49.1-00	Bar assy, footrest	1	
2	<u>43551QKX2000</u> QM110-3B.49-1	Rubber, step	2	
3	<u>01634Q080201</u> GB 9074.17	Bolt M8x20	4	
4	<u>43580QKX2000</u> QM110-3B.49.2-00	Plate comp, fixing	1	
5	<u>01401Q080251</u> GB5781-86	Bolt M8x25	4	
6	<u>43576QKX2000</u> QM110-3B.49-2	Spacer	4	
7	<u>43578QKX2000</u> QM110-3B.49-3	Pad, rubber	4	
8	<u>43602QKMZ000</u> QM100-12.47.2-00	Footrest, pillion LH	1	
9	<u>43702QKMZ000</u> QM100-12.47.1-00	Footrest, pillion LH	1	
10	<u>43811QKMZ000</u> QM100-12.47.2-1	Support, RH	1	
11	<u>43821QKMZ000</u> QM100-12.47.1-8	Support, LH	1	
12	<u>43831QKX2000</u> QM110-3B.47.1-1	Link comp, right	1	
13	<u>43841QKMZ000</u> QM100-12.47.3-1	Link comp, left	1	
14	<u>43610QKMZ000</u> QM100-12.47.2.1-00	Bar comp, RH	1	
15	<u>43710QKMZ000</u> QM100-12.47.1.1-00	Bar comp, LH	1	
16	<u>43612QKMZ000</u> QM100-12.47.1-1	Rubber, pillion	2	
17	<u>43637QKMZ000</u> QM100-12.47.1-3	Washer	2	
18	<u>43636QKMZ000</u> QM100-12.47.1-2	Shaft, pin	2	
19	<u>09160Q190001</u> GS125.47-2	Washer 6	2	
20	<u>04411Q200201</u> GB/T91-2000	Cotter pin 2x20	2	

FIG.38



38

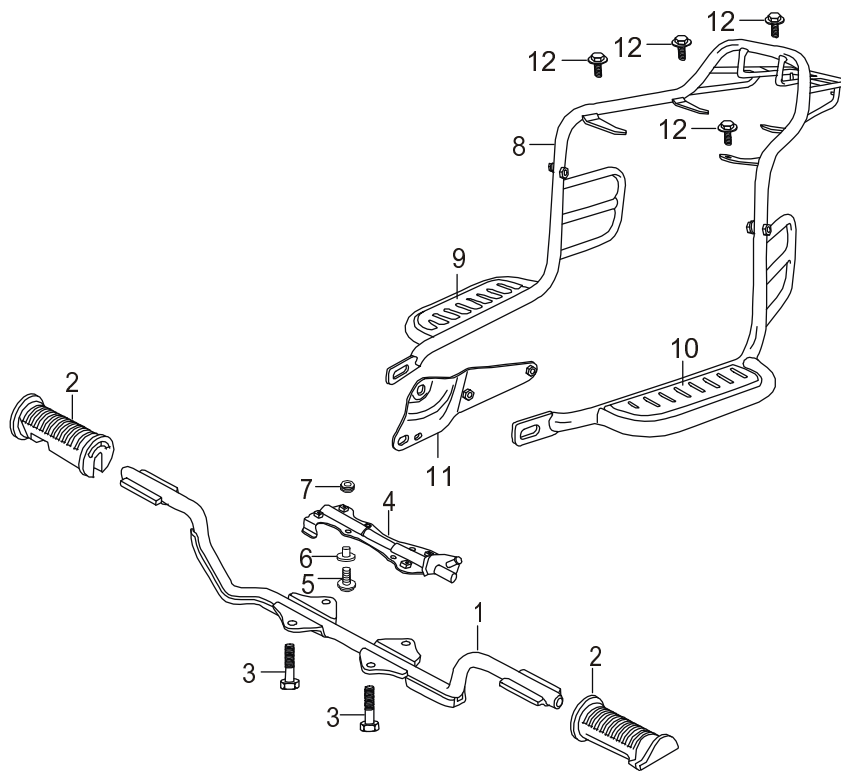
FIG.38

ПОДНОЖКИ

Ref.No.	Part No.	Description	Q'ty	Remarks
21	02304Q080351	Bolt M8x35	1	
22	02304Q080251	Bolt M8x25	3	
23	02304Q080161	Bolt M8x16	1	
24	05409Q103101 GB/T6187.2-2000 43851QKMZ000	Nut M10x1.25	2	
25	QM100-12.47.1-4 43855QKMZ000	Spacer I	4	
26	QM100-12.47.1-5 43852QKMZ000	Cushion I	4	
27	QM100-12.47.1-6 43856QKMZ000	Spacer II	2	
28	QM100-12.47.1-7	Cushion II	2	

QM110-3C

FIG.38A
(Option)



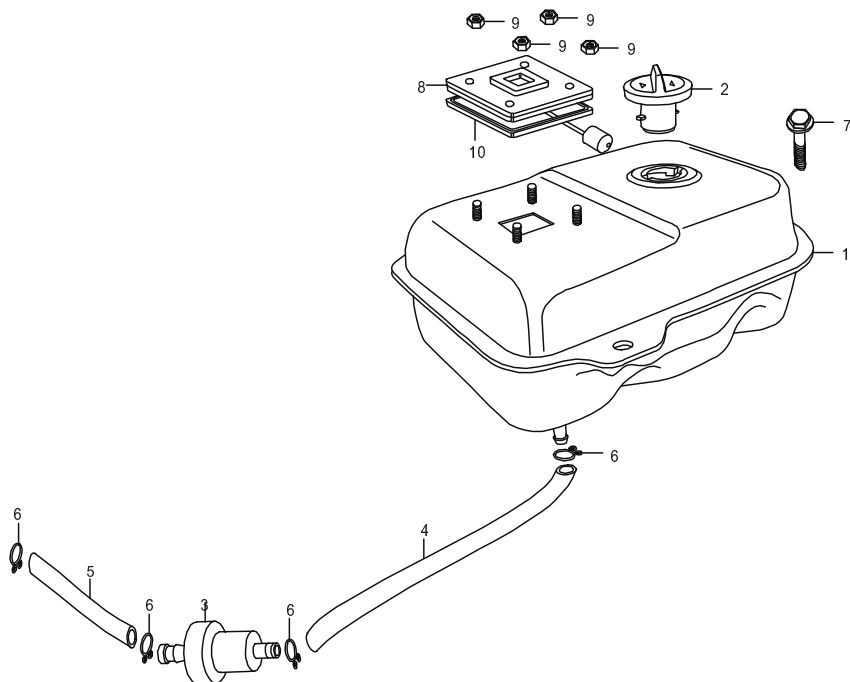
QM110-3C

38A
FIG.38A

ПОДНОЖКИ

Ref.No.	Part No.	Description	Q'ty	Remarks
1	<u>43510OKX2000</u> QM110-3B.49.1-00	Bar assy, footrest RH	1	
2	<u>43551OKX2000</u> QM110-3B.49-1	Rubber, step	2	
3	<u>01634Q080201</u> GB 9074.17	Bolt M8x20	4	
4	<u>43580OKX2000</u> QM110-3B.49.2-00	Plate comp, fixing	1	
5	<u>02304Q080251</u> GB/T5789	Bolt M8x25	4	
6	<u>43576OKX2000</u> QM110-3B.49-2	Spacer	4	
7	<u>43578OKX2000</u> QM110-3B.49-3	Pad, rubber	4	
8	<u>46310OKX3040</u> QM110-3C.40.1-00	Carrier, luggage	1	
9	<u>43612OKX3040</u> QM110-3C.40-1	Rubber, rear footrest RH	1	
10	<u>43712OKX3040</u> QM110-3C.40-2	Rubber, rear footrest LH	1	
11		Link comp, right	1	
12	<u>02304Q080161</u> GB/T5789	Bolt M8x16	4	

FIG.39



39

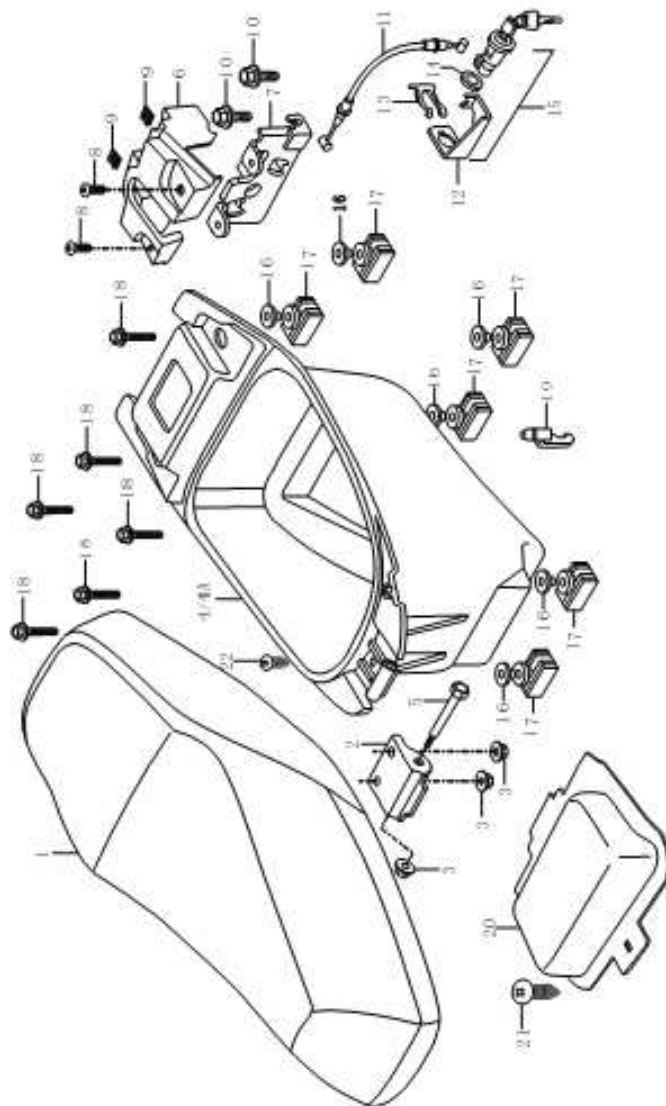
FIG.39

БЕЛЗОБАК

Ref.No.	Part No.	Description	Q'ty	Remarks
1	<u>44110QKX3000</u> QM110-3C.44.1-00	Fuel tank assy	1	
2	<u>44200QKX3000</u> QM50QT.10.3-00	Cap, fuel tank	1	
3	<u>44360QKX3000</u> QM100-7C.44.3-00	Filter set	1	
4	<u>44411QKX3000</u>	Fuel hose I	1	
5	<u>44412QKX3000</u> QM110-3C.44-02	Fuel hose II	1	
6		Clip, fuel hose	4	
7	<u>02304Q06010J</u> GB/T 5789	Bolt M6x10	1	
8	<u>34801QKX3000</u> QM110-3C.77.1-00	Gauge assy, fuel level	1	
9	<u>09159Q05000J</u> GB/T 6177	Nut M5	4	
10	<u>34825QKX3000</u>	Gasket	1	

QM110-3C

FIG.40



QM110-3C

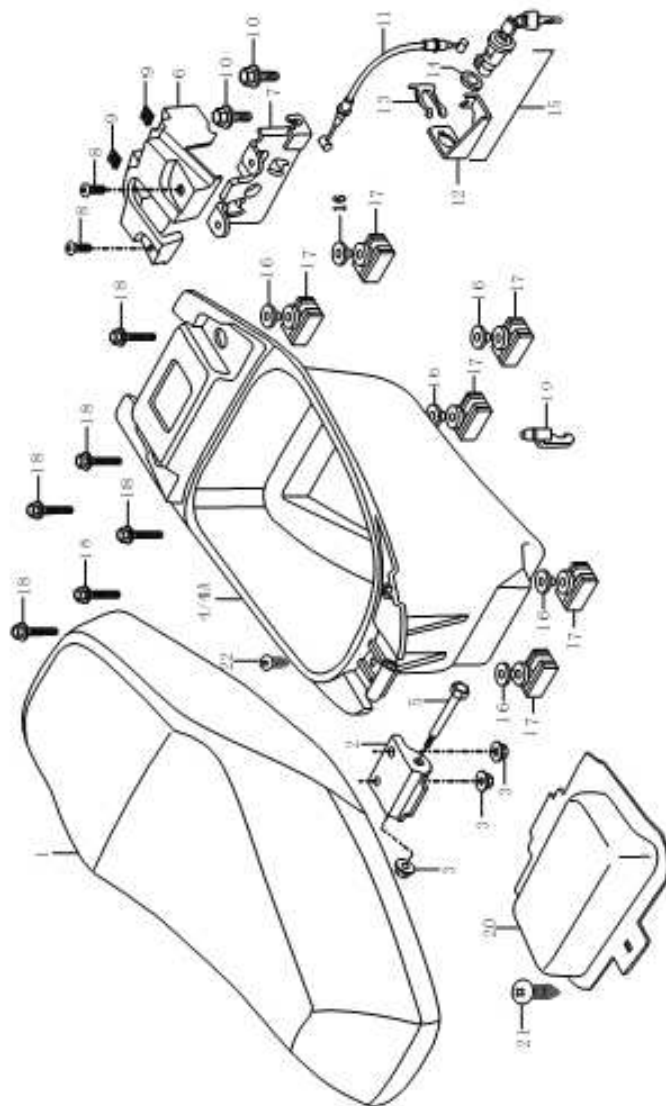
40

FIG.40

СИДУШКА

Ref.No.	Part No.	Description	Q'ty	Remarks
1	<u>45102QKX3000</u> QM110-3C.36.1-00	Seat comp	1	
2	<u>45271QKX3000</u> QM110-3C.36-01	Hinge, seat	1	
3	<u>09159Q060001</u> GB/T 6177(防松)	Nut M6	3	
4	<u>92211QKX3000</u> QM110-3C.46-12	Helmet box assy	1	
4A		Helmet box assy	1	
5	<u>45273QKX3000</u> QM110-3C.36-02	Bolt	1	
6	<u>47322QKX3000</u> QM110-3C.46-11	Cover, seat lock	1	
7	<u>45711QKX3000</u> QM110-3C.65.2.2-01	Hook, seat	1	
8	<u>09124Q060009</u> GB/T973	Screw M6x12	2	
9	<u>09148Q040001</u> AG50.38-3	Clip	2	
10	<u>02104Q080121</u> GB/T 16674	Bolt M8x12	2	
11	<u>45280QKX3000</u> QM110-3C.65.3-00	Cable, seat lock	1	
12	45851QKX3000	Bracket, lock	1	
13	45861QKX3000	Plate, lock seat	1	
14	45856QKX3000	Washer, rubber	1	
15	<u>45700QKX3000</u> QM110-3C.65.2-00	Lock, seat	1	
16	<u>09169Q060006</u> QM110-3C.46.3-00	Washer	6	
17	<u>92223QKX3000</u> QM110-3C.46-15	Cushion, helmet box	6	
18	<u>02304Q060352</u> GB/T5789	Bolt M6x35	6	
19	<u>92518QKX3000</u> QM110-3C.46-10	Hook, helmet	1	

FIG.40



QM110-3C

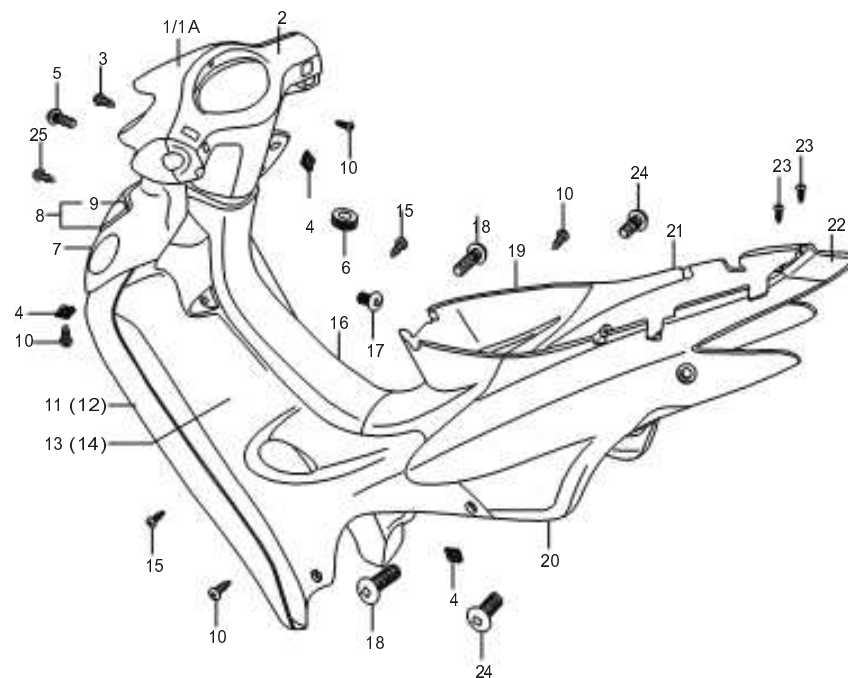
40

FIG.40

СИДУШКА

Ref.No.	Part No.	Description	Q'ty	Remarks
20	<u>33642OKX3000</u> QM110-3C.46-20	Cover, battery case	1	
21	<u>04010Q061302</u> GB/T845-86	Screw ST5.0x13	1	
22	<u>09132Q040012</u> GB/T 973	Screw ST4.2x16	1	

FIG.41



QM110-3C

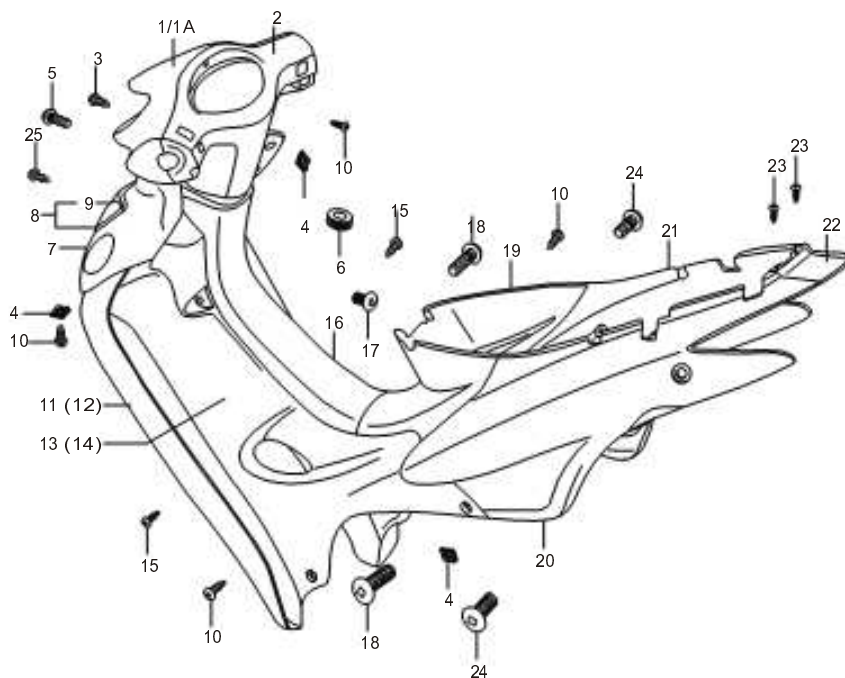
41

FIG.41

ПЛАСТИК

Ref.No.	Part No.	Description	Q'ty	Remarks
1	<u>56311OKX3000</u> QM110-3C.46-01	Front cover, handle	1	
1A		Front cover, handle	1	
2	<u>56321OKX3000</u> QM110-3C.46-02	Rear cover, handle	1	
3	<u>09132Q040003</u> GB973	Screw ST4.2x13	2	
4	<u>09148Q040001</u> AG50.38-3	Clip	8	
5	<u>03411Q050121</u> GB/T 818	Screw M5x12	1	
6	<u>09308Q040001</u> QM110-3C.46-16	Grommet, rubber	1	
7	<u>48111OKX3000</u> QM110-3C.46-03	Front cover	1	
8	<u>48112QKX3000</u> QM110-3C.46-17	Adorning cover	1	
9	<u>48113QKX3000</u> QM110-3C.46-18	Grille cover	1	
10	<u>09132Q040009</u> GB/T 973 头	Screw ST4.2x13	11	
11	<u>48441QKX3000</u> QM110-3C.46-05	Leg shield, LH.	1	
12	<u>48431QKX3000</u> QM110-3C.46-04	Leg shield, RH.	1	
13	<u>48421QKX3000</u> QM110-3C.46-07	Front cover, LH	1	
14	<u>48411QKX3000</u> QM110-3C.46-06	Front cover, RH	1	
15	<u>09132Q050001</u> GB973	Screw ST5.0x13	6	
16	<u>47361QKX3000</u> QM110-3C.46-08	Cover, main pipe	1	
17	<u>09124Q060010</u> GB/T973	Screw M6x10	1	
18	<u>09124Q060008</u> GB/T973	Screw M6x16	6	
19	<u>47351QKX3000</u> QM110-3C.46-13	Cover, center	1	

FIG.41



41

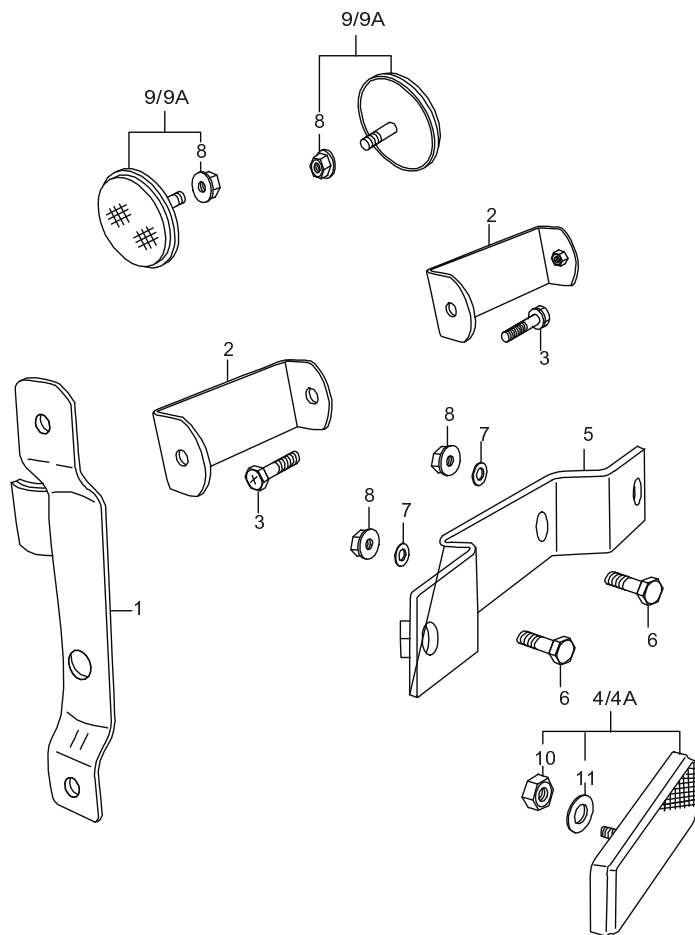
FIG.41

ПЛАСТИК

Ref.No.	Part No.	Description	Q'ty	Remarks
20	<u>47211OKX3000</u> QM110-3C.46-09	Side cover, LH	1	
21	<u>47111OKX3000</u> QM110-3C.46-10	Side cover, RH	1	
22	<u>47311OKX3000</u> QM110-3C.46-14	Cover, rear	1	
23	<u>09132Q040010</u> GB/T 973	Screw ST4.2x16	2	
24	<u>09124Q060008</u> GB/T973	Screw M6x12	2	
25	<u>09132Q040011</u> GB/T 973	Screw ST4.2x13	2	

QM110-3C

FIG.42



QM110-3C

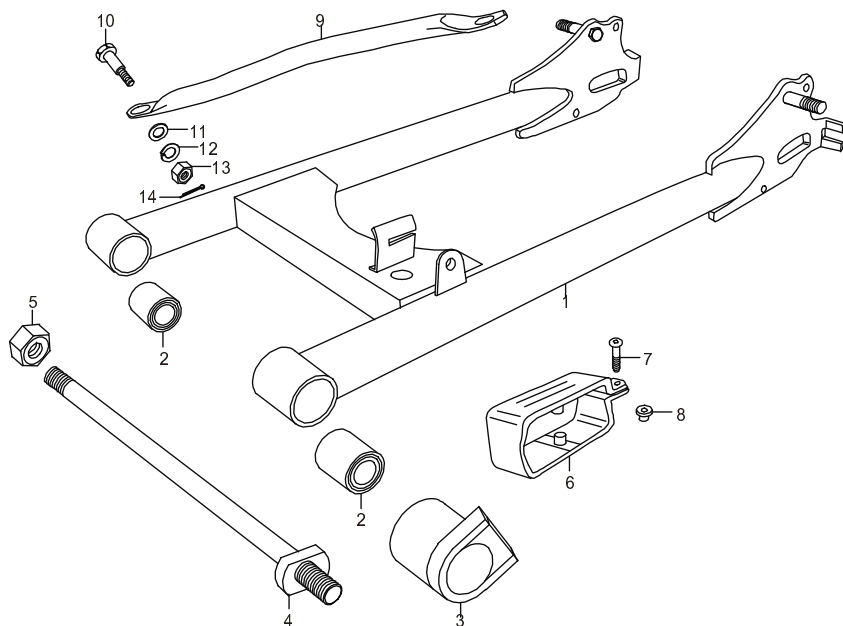
42

FIG.42

КАТАФОТЫ

Ref.No.	Part No.	Description	Q'ty	Remarks
1	96710QKX3000 QM110-3C.99.1-00	Bracket, license plate FR	1	
2	48911QKX3000 QM110-3C.46.1-00	Bracket, leg shield	2	
3	01102Q060161 GB29.2	Bolt M6x16	2	
4	35970QEDZ000 QM125T-4.78.2-00	Reflector, RR Reflector,	1	
4A		RR	1	
5	96721QKG3000 QM100-7C.99-1	Bracket, license plate RR	1	
6	02304Q060161 GB5/T5789-86	Bolt M6x16	2	
7	05420Q052061 GB96-85	Washer 6	2	
8	09159Q060001 GB 6177 (防松)	Nut M6	4	
9	35950QKMZ000 QM100-12.74.1-00	Reflector, FR Reflector,	2	
9A		FR	2	
10	05404Q011055	Nut	1	
11		Washer	1	

FIG. 43



QM110-3C

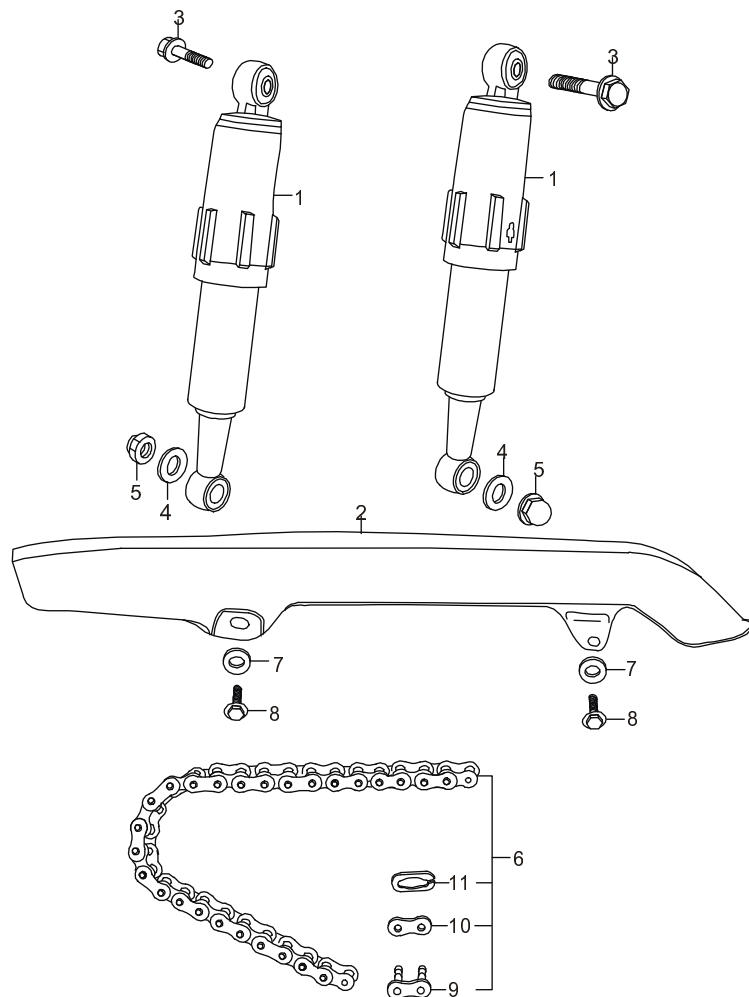
43

FIG. 43

РЫЧАГ ЗАДНИЙ

Ref.No.	Part No.	Description	Q'ty	Remarks
1	<u>61100QKX3000</u> QM110-3C.42.1-00	Swinging arm assy, rear	1	
2	<u>09319Q100003</u> QS90.42.2-00	Spacer, swing arm	2	
3	<u>61273QKX3000</u> QM110-3C.42-3	Cushion	1	
4	<u>61211QKX3000</u> QM110-3C.42-1	Axle, swing arm	1	
5	<u>05404Q023101</u> GB/T6177.2	Nut M10x1.25	1	
6	<u>61274QKX3000</u> QM110-3C.42-2	Buffer	1	
7	<u>09124Q060011</u> GB/T 973	Screw M6x16	1	
8	<u>09169Q060007</u> QM100-7B.37-05	Washer	1	
9	<u>64311QKMZ000</u> QM100-12.34-14	Torque link, rear	1	
10	<u>09111Q080003</u> QS90.34-19	Bolt	1	
11	<u>05420Q022081</u> GB/T 97.1	Washer 8	1	
12	<u>05421Q011081</u> GB/T 93-87	Washer 8	1	
13	<u>05401Q011081</u> GB/T 6170	Nut M8	1	
14	<u>04411Q200201</u> GB/T91-2000	Cotter pin 2x20	1	

FIG. 44



QM110-3C

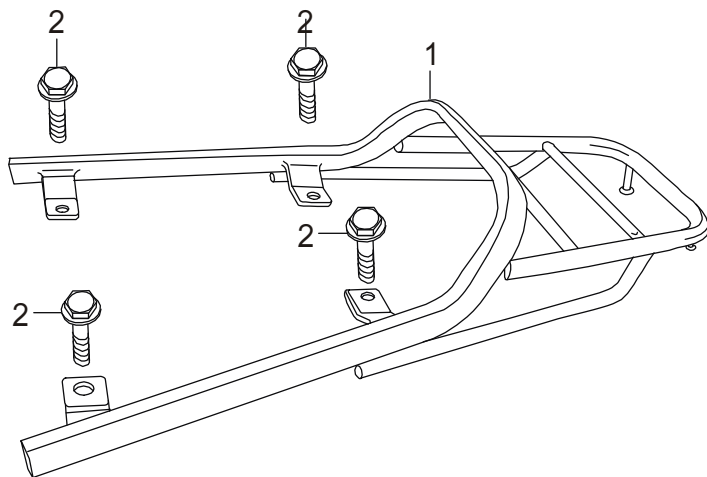
44

FIG. 44

ЗАДНИЙ АММОТИЗАТОР

Ref.No.	Part No.	Description	Q'ty	Remarks
1	<u>62101OKX3000</u> QM110-3C.35.1-00	Shock absorber assy, rear	2	
2	<u>61311OKX3000</u> QM110-3C.43-1	Case, chain	1	
3	<u>02304Q120351</u> GB/T 5789	Bolt M2x1.25x35	2	
4	<u>05420Q053101</u> GB96-85	Washer 10	2	
5	<u>05407Q012105</u> GB923-88	Nut M10x1.25	2	
6	27600QKX3000	Chain 08B 108node	1	
7	09169Q060001	Washer	2	
8	01604Q060102	Screw M6x10	2	
9		Joint III	1	
10		Joint I	1	
11		Joint II	1	

FIG. 45



45

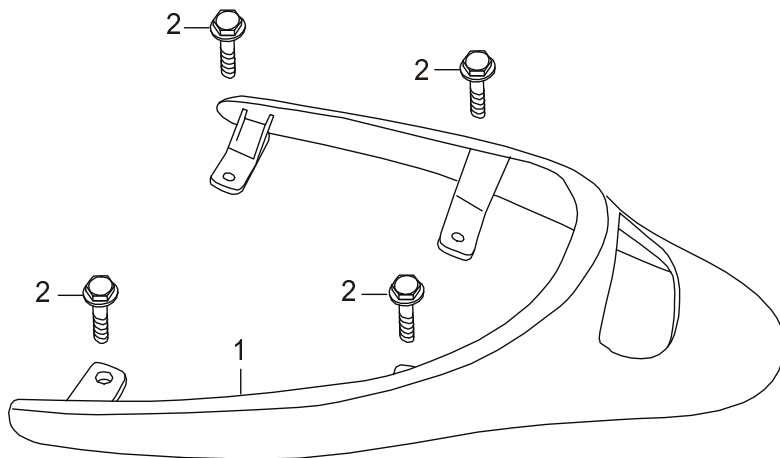
FIG. 45

БАГАЖНИК

Ref.No.	Part No.	Description	Q'ty	Remarks
1	<u>46310QKX3000</u> QM110-3C.40.3-00	Rear carrier comp	1	
2	<u>02304Q080161</u> GB/T 5789	Bolt M8x16	4	

QM110-3C

FIG. 45A
(Option)



45A

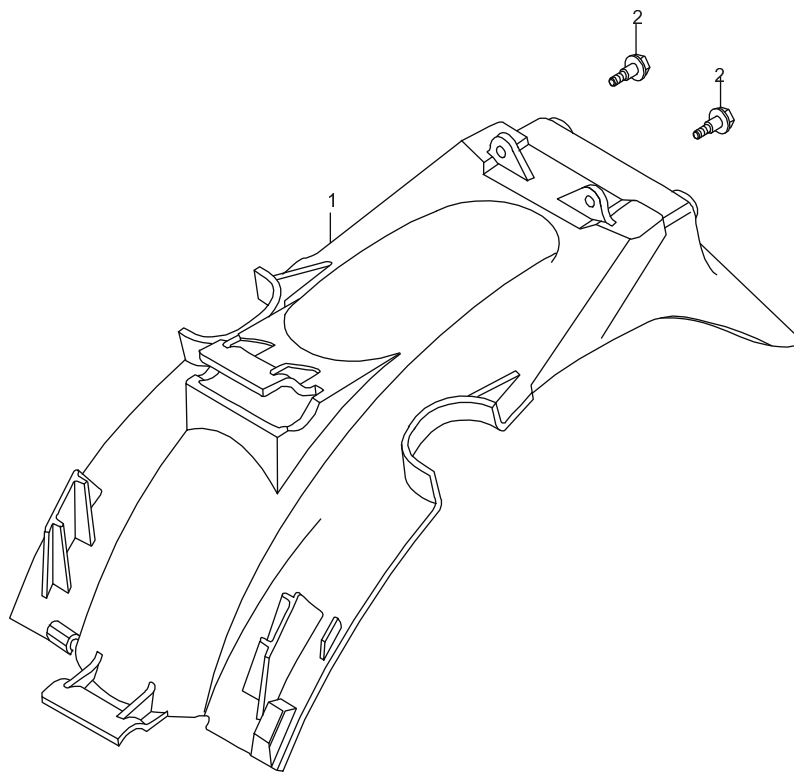
FIG. 45A

БАГАЖНИК

Ref.No.	Part No.	Description	Q'ty	Remarks
1	46311QKX3030 QM110-3C.40a-1	Rear carrier comp	1	
2	02304Q080201 GB/T5789-2000	Bolt M8x20	4	

QM110-3C

FIG. 46



46

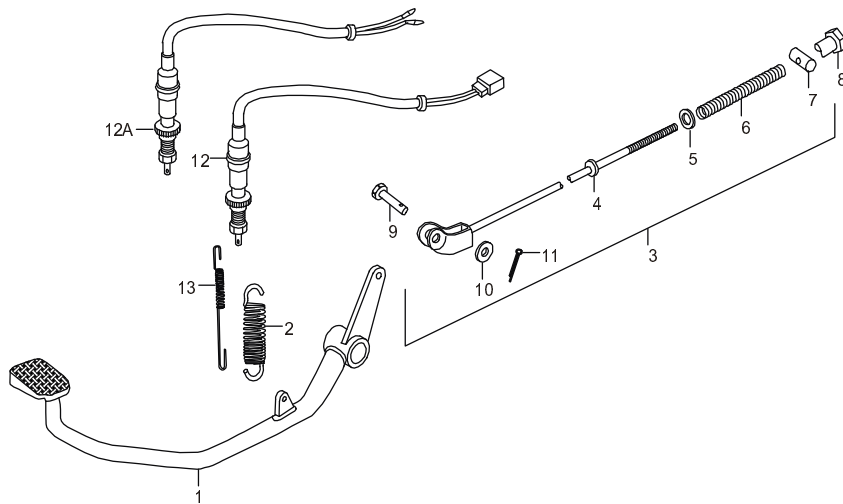
FIG. 46

КРЫЛО ЗАДНЕЕ

Ref.No.	Part No.	Description	Q'ty	Remarks
1	63111OKX3000 QM110-3C.38-1	Rear fender	1	
2	023040060161 GB/T5789-86	Bolt M6x16	2	

QM110-3C

FIG. 47



47

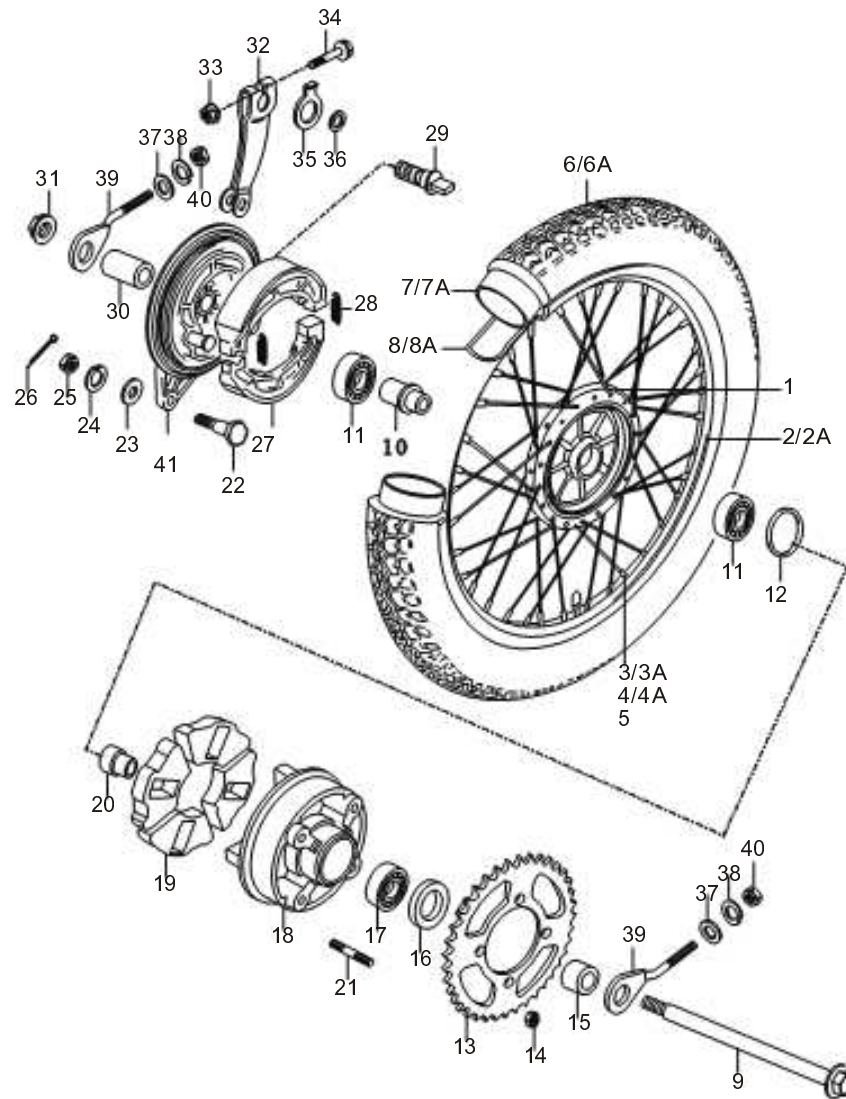
FIG. 47

ЗАДНИЙ ТОРМОЗ

Ref.No.	Part No.	Description	Q'ty	Remarks
1	<u>43110OKX3000</u> QM110-3C.48.1-00	Pedal comp, rear brake	1	
2	<u>09443O150005</u> QM110-3C.48-1	Spring, brake pedal	1	
3		Rod Assy, rear brake	1	
4	<u>43310QLAZ000</u> QM125-2.48.1-00	Rod, rear brake	1	
5	<u>05420Q021061</u> GB/T97.1-2002	Washer	1	
6	<u>09440Q090001</u> QS90.48-3	Spring	1	
7	<u>43323OKMZ000</u> QM100-12.48.2-2	Pin	1	
8	<u>09150Q060002</u> QM110-3C.48.2-1	Nut	1	
9	<u>04721O060161</u> GB882-86	Pin 6x16	1	
10	<u>05420Q022061</u> GB/T97.1-2002	Washer 6	1	
11	<u>04411O200201</u> GB/T91-2000	Cutter pin 2x20	1	
12	<u>37702QLGZ000</u> QM125-7.66.3.1-00	Switch, stop lamp	1	
12A		Switch, stop lamp	1	
13	<u>09443O060008</u> QM110-3C.48-2	Spring	1	

QM110-3C

FIG. 48



QM110-3C

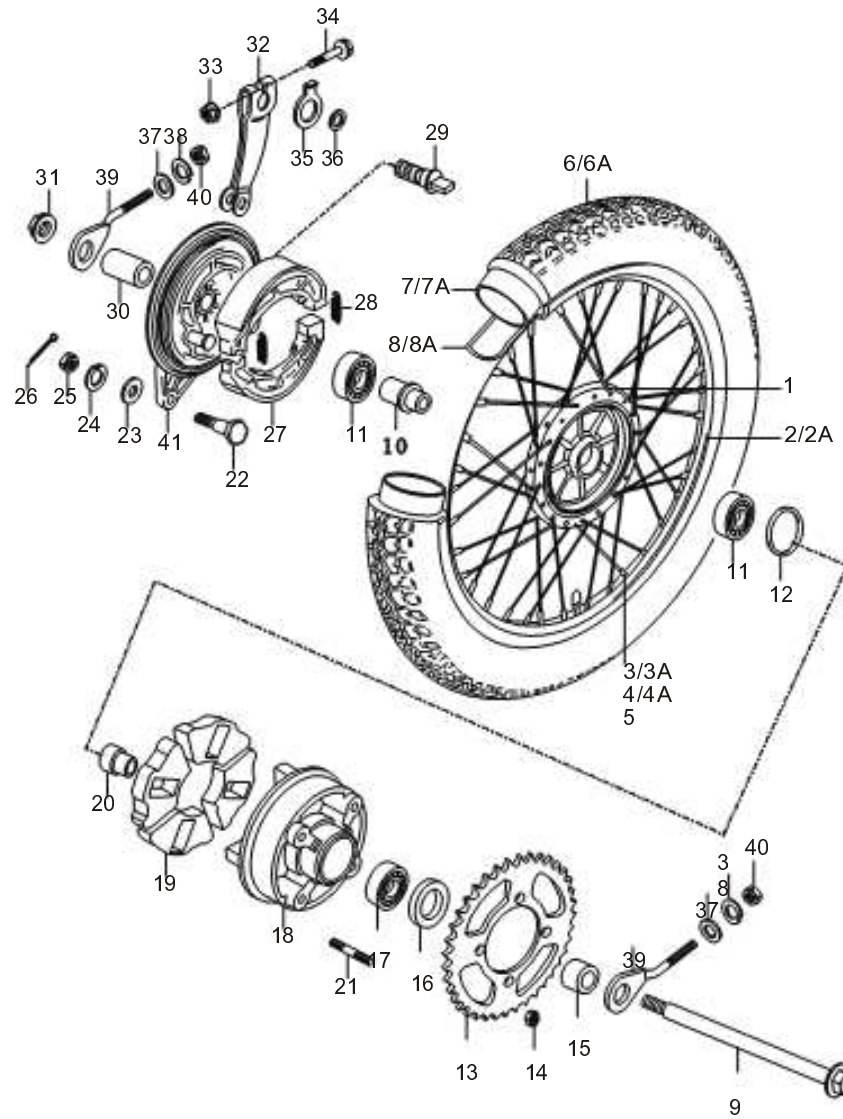
48

FIG. 48

ДИСК ЗАДНИЙ

Ref.No.	Part No.	Description	Q'ty	Remarks
1	64110QKX3000 QM110-3C.34.2-00	Hub, rear wheel	1	
2	65311QKX3000 QM110-3C.34-7	Rim 1.6-16	1	
2A	65311QKX3070 QM110-3C(IG).34-7	Rim 1.6-14	18	
3	65322QKX3000 QM110-3C.34-6	Spoke, outer	18	
3A	65322QKX3070 QM110-3C(IG).34-6	Spoke, outer	18	
4	65321QKX3000 QM110-3C.34-5	Spoke, inner	18	
4A	65321QKX3000 QM110-3C(IG).34-5	Spoke, inner	18	
5	55326QKMZ000 QM100-12.33-6	Nut	36	
6	65110QKX3000 QM110-3C.34.1-01	Tyre	1	
6A	65110QKX3070 QM110-3C(IG).34.1-01	Tyre	1	
7	65200QKX3000 QM110-3C.34.1-02	Tube, inner	1	
7A	65200QKX3070 QM110-3C(IG).34.1-02	Tube, inner	1	
8	65211QKX3000 QM110-3C.34.1-03	Protector, inner tube	1	
8A	65211QKX3070 QM110-3C(IG).34.1-03	Protector, inner tube	1	
9	64711QKX3000 QM110-3C.34-1	Axle, rear wheel	1	
10	64731QKX3000 QM110-3C.34-5	Spacer, rear wheel	1	
11	05570Q006301 GB/T276-1994	Bearing 6301-RS	2	
12	09280Q410001 QM110-3C.34-11	O-ring	1	
13	64511QKMZ000 QM100-12.34-3	Sprocket, final drive	1	
14	09159Q080001 GB/T 6177(防松)	Nut M8	4	

FIG. 48



QM110-3C

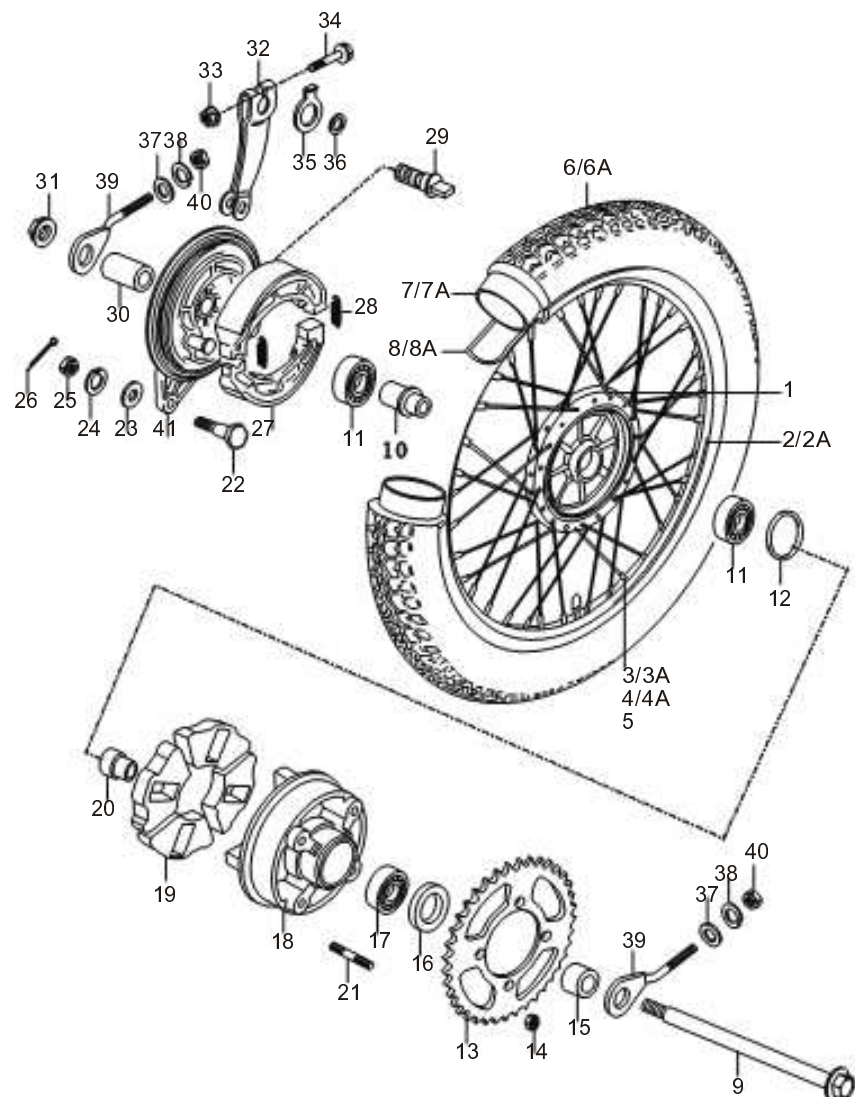
48

FIG. 48

ДИСК ЗАДНИЙ

Ref.No.	Part No.	Description	Q'ty	Remarks
15	09180Q120006 QM110-3C.34-3	Spacer, RH	1	
16	09283Q270001 QM110-3C.34.4-00	Oil seal	1	
17	05570Q006203 GB/T276-1994	Bearing 6203-RS	1	
18	64611QKX3000 QM110-3C.34.4	Hub, sprocket	1	
19	64651QKX3000 QM110-3C.34-10	Damper set, RR hub	4	
20	64733QKX3000 QM110-3C.34-2	Sleeve, RR wheel	1	
21	64683QKX3000 QM110-3C.34-12	Stud	4	
22	64313QKX3000 QM110-3C.34-17	Bolt, torgue link	1	
23	05420Q022081 GB/T97.1-2002	Washer 8	1	
24	05421Q011081 GB/T93-1987	Lock washer 8	1	
25	05401Q012081 GB/T 6170-2000	Nut M8	1	
26	04411Q200201 GB/T91-2000	Pin	1	
27	54410QKX3000 QM110-3C.33.1.1-00	Shoe brake	2	
28	54421QKX3000 QM110-3C.33-15	Spring, brake shoe	2	
29	64441QKX3000 QM110-3C.34.3-2	Cam, RR brake	1	
30	09180Q120005 QM110-3C.34-4	Spacer, RR wheel	1	
31	05409Q093121 GB/T6187.2-2000	Nut M12x1.25	1	
32	64451QKX3000 QM110-3C.34.3-1	Lever, RR, brake cam	1	
33	05409Q0810561 GBG/T6187.1-2000	Nut M6	1	
34	02104Q060251 GB/T16674.1-2004	Bolt M6x25	1	
35	54492QKX3000 QM110-3C.33-6	Indicator, RR brake	1	

FIG. 48



QM110-3C

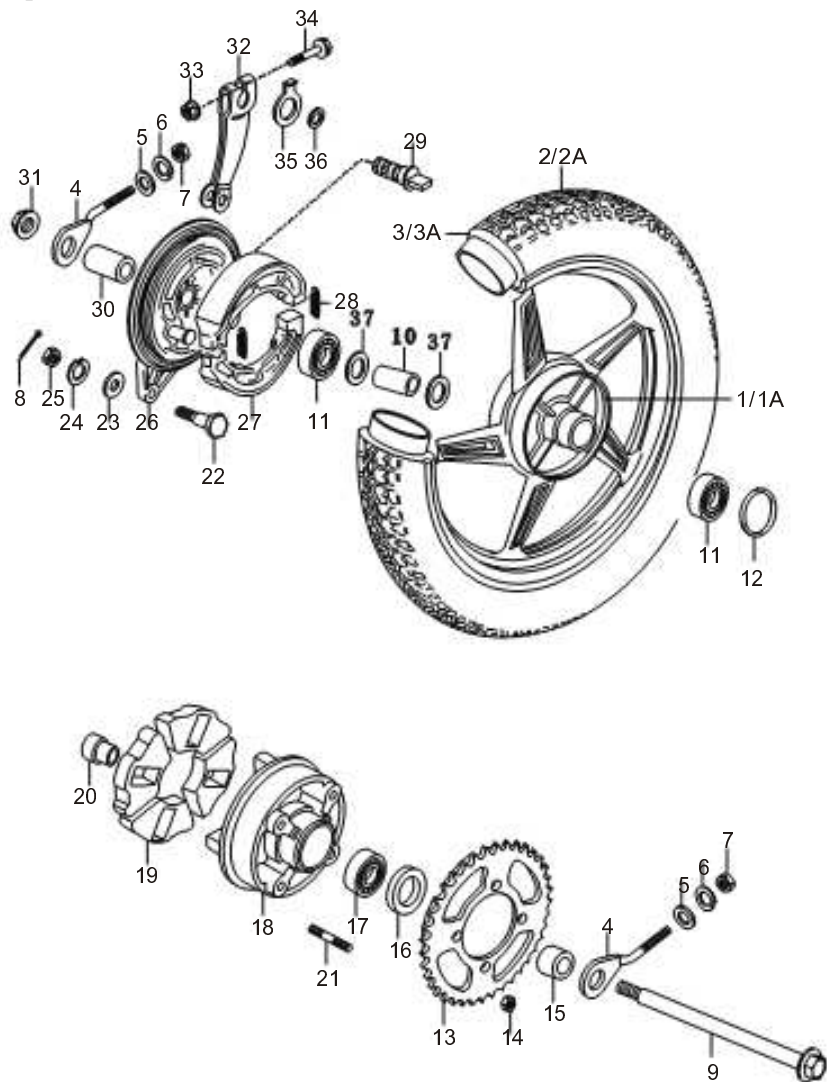
48

FIG. 48

ДИСК ЗАДНИЙ

Ref.No.	Part No.	Description	Q'ty	Remarks
36	54465QKX3000 QM110-3C.33-7	Dust seal, brake cam	1	
37	05420Q053064 GB/T96.1-2002	Washer 6	2	
38	05421Q011064 GB/T 93-87	Lock washer 6	2	
39	61411QKX3000 QM110-3C.34-8	Adjuster, chain	2	
40	05401Q012064 GB/T6170-2000	Nut M6	2	
41	64210QKX3000 QM110-3C.34.3.1-00	Panel sub comp, RR Brake	1	

FIG. 48A
(Option)



QM110-3C

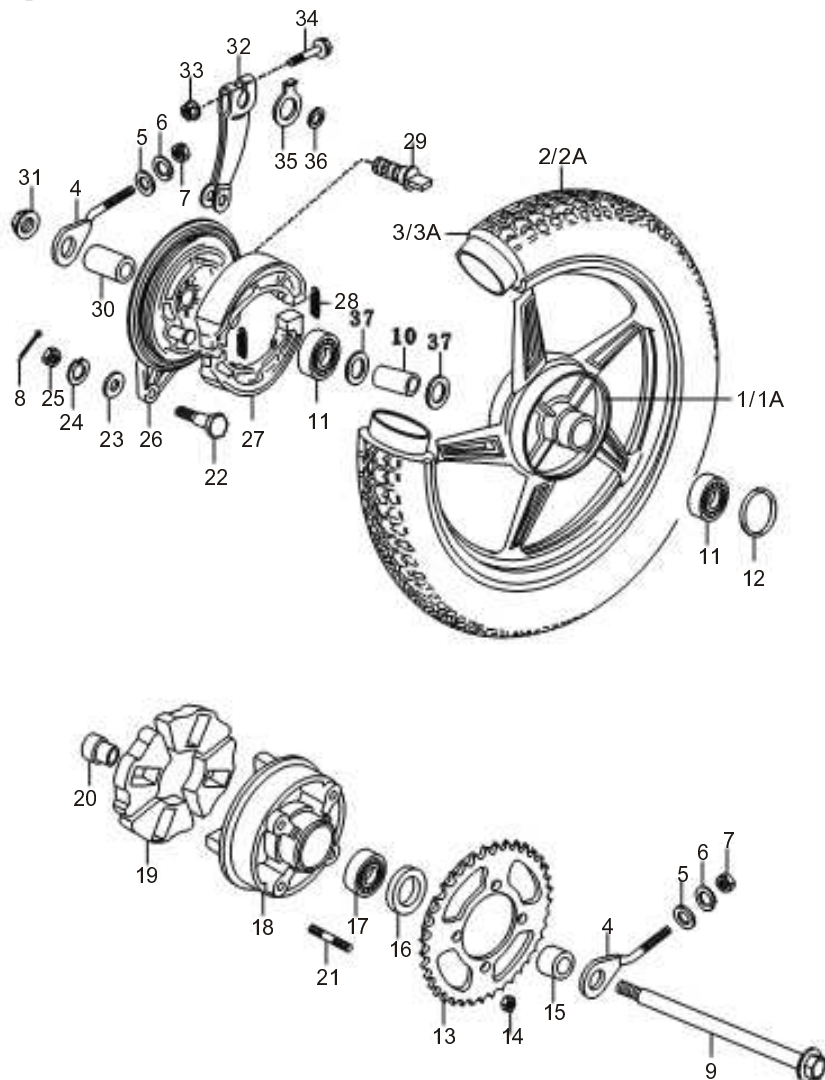
48A

FIG. 48A

ДИСК ЗАДНИЙ

Ref.No.	Part No.	Description	Q'ty	Remarks
1	<u>64150QKX3010</u> QM110-3C(II).34.1-00	Hub, rear wheel	1	
1A	<u>64150QKX3080</u> QM110-3C(IG).34.2-00	Hub, rear wheel	1	
2	<u>65110QKX3000</u> QM110-3C.34.1-01	Tyre	1	
2A	<u>65110QKX3070</u> QM110-3C(IG).34.1-01	Tyre	1	
3	<u>65200QKX3000</u> QM110-3C.34.1-02	Tube, inner	1	
3A	<u>65200QKX3070</u> QM110-3C(IG).34.1-02	Tube, inner	1	
4	<u>61411QKX3000</u> QM110-3C.34-8	Adjuster, chain	2	
5	<u>05420Q053064</u> GB/T96.1-2002	Washer 6	2	
6	<u>05421Q011064</u> GB/T 93-87	Lock washer 6	2	
7	<u>05401Q012064</u> GB/T6170-2000	Nut M6	2	
8	<u>04411Q200201</u> GB/T91-2000	Pin	1	
9	<u>64711QKX3000</u> QM110-3C.34-1	Axle, rear wheel	1	
10	<u>64731QKX3000</u> QM110-3C.34-5	Spacer, rear wheel	1	
11	<u>05570Q006301</u> GB/T276-1994	Bearing 6301-RS	2	
12	<u>09280Q410001</u> QM110-3C.34-11	O-ring	1	
13	<u>64511QKMZ000</u>	Sprocket, final drive	1	
14	<u>QM100-12.34-3</u> 09159Q080001	Nut M8	4	
15	GB/T 6177(防松) <u>09180Q120006</u> QM110-3C.34-3	Spacer, rear Wheel	1	
16	<u>09283Q270001</u>	Oil seal	1	
17	<u>QM110-3C.34.4-00</u> <u>05570Q006203</u> GB/T276-1994	Bearing 6203-RS	1	

FIG. 48A
(Option)



QM110-3C

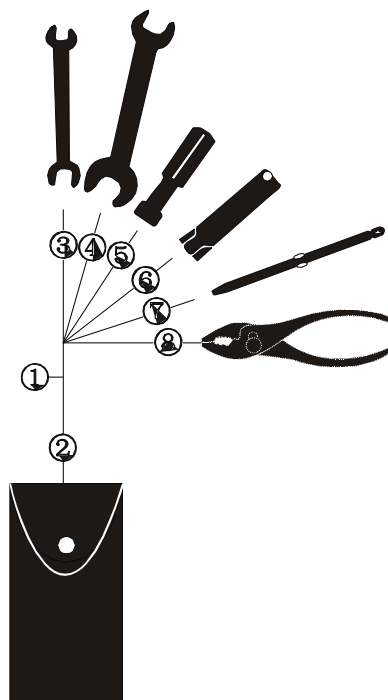
48A

FIG. 48A

ДИСК ЗАДНИЙ

Ref.No.	Part No.	Description	Q'ty	Remarks
18	<u>64611OKX3000</u> QM110-3C.34-4	Buffer body	1	
19	<u>64651OKX3000</u> QM110-3C.34-10	Damper set, rear hub	4	
20	<u>64733OKX3000</u> QM110-3C.34-2	Sleeve, RR wheel	1	
21	<u>64683OKX3000</u> QM110-3C.34-12	Stud	4	
22	<u>64313OKX3000</u> QM110-3C.34-17	Bolt, brake	1	
23	<u>05420Q022081</u> GB/T97.1-2002	Washer 8	1	
24	<u>05421Q011081</u> GB/T93-1987	Lock washer 8	1	
25	<u>05401Q012081</u> GB/T 6170-2000	Nut M8	1	
26	<u>04411Q200201</u> GB/T91-2000	Pin	1	
27	<u>54410OKX3000</u> QM110-3C.33.1.1-00	Brake shoe	2	
28	<u>54421OKX3000</u> QM110-3C.33-15	Spring, brake shoe	2	
29	<u>64441OKX3000</u> QM110-3C.34.3-2	Cam, rear brake	1	
30	<u>09180Q120005</u> QM110-3C.34-4	Spacer, rear wheel	1	
31	<u>05409Q093121</u> GB/T6187.2-2000	Nut M12x1.25	1	
32	<u>64451OKX3000</u> QM110-3C.34.3-1	Lever, rear, brake cam	1	
33	<u>05409Q0810561</u> GBG/T6187.1-2000	Nut M6	1	
34	<u>02104Q060251</u> GB/T16674.1-2004	Bolt M6x25	1	
35	<u>54492QKX3000</u> QM110-3C.33-6	Indicator, RR brake	1	
36	<u>54465OKX3000</u> QM110-3C.33-7	Dust seal, brake cam	1	
37		Support, spacer	2	

FIG. 49



QM110-3C

49

FIG. 49

ИНСТРУМЕНТ

Ref.No.	Part No.	Description	Q'ty	Remarks
1	<u>96500OKX3000</u> QM110-3C.80-00	Tool	1	
2	<u>09811O000001</u> QS90.80-1	Bag, tool	1	
3	<u>09813O000003</u> GS125.80.2-1	Spanner 10x12	1	
4	<u>09813O000002</u> GS125.80.2-2	Spanner 14x17	1	
5	<u>09814O000004</u> QS90.80.1-00	Handlebar, screw driver	1	
6	<u>96511OKX3000</u> QM110-3C.80-1	Sleeve	1	
7	<u>09814O000001</u> GS125.80.2-6	Screw driver	1	
8	<u>09812O000001</u> QS90.80.2-00	Pliers	1	Option