



КАТАЛОГ ЗАПЧАСТЕЙ К ДВИГАТЕЛЮ H1E41QMB(AG50)
(2-такта, объем 50см.куб.)

SPIDER50 (QM50QT-3E(AG))
JOKER 50 (QM50T-10V)

www.SkyBike.com.ua

Внимание!

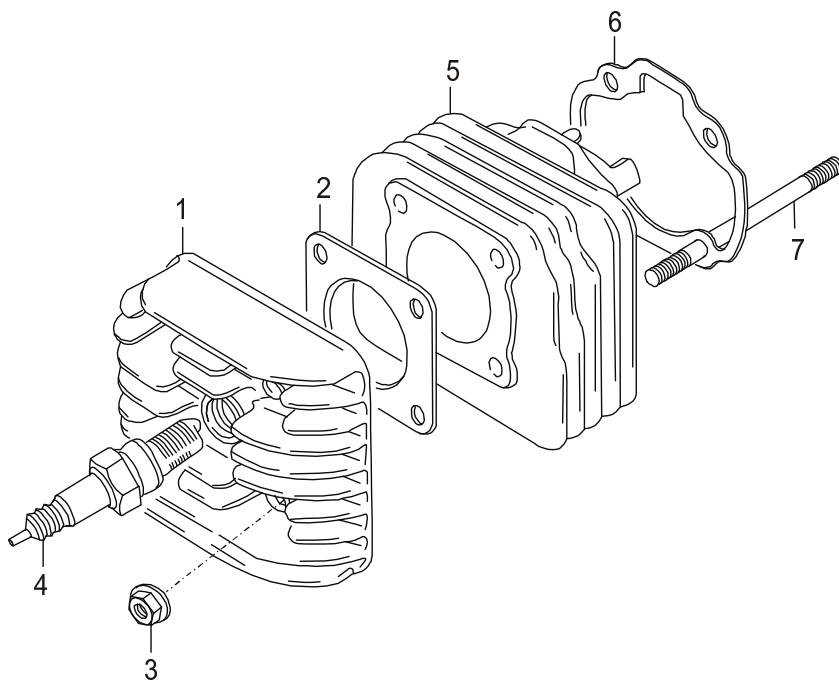
Для заказа запчастей необходимо в каталоге найти страницу с изображением интересующей вас детали. В левом верхнем углу написан код рисунка. Номер детали указан возле изображения детали. Например для заказа прокладки глушителя, для модели FORTUNE 50, вы пишете в заявке – "FIG.13 – 8 Прокладка глушителя" (или название на английском из каталога) и необходимое количество. Если группа деталей объединена скобкой, это значит, что детали продаются в комплекте.

После того, как вы определились с выбором детали, вы можете сделать заказ, уточнить наличие на складе, цену, позвонив по телефонам указанным на [сайте](#) или отправьте запрос на наш e-mail: repair@skybike.com.ua

КАТАЛОГ ЗАПЧАСТЕЙ К ДВИГАТЕЛЮ

. No.	НАЗВАНИЕ	
FIG.E1	ЦИЛИНДР	1
FIG.E2	КАРТЕР.....	2
FIG.E3	КРЫШКА КАРТЕРА ЛЕВАЯ.....	4
FIG.E4	КОЛЕНВАЛ.....	5
FIG.E5	КАРБЮРАТОР.....	6
FIG.E6	МАСЛО НАСОС.....	9
FIG.E7	КРЫЛЬЧАТКА.....	10
FIG.E8	РЕМЕНЬ	11
FIG.E9	ТРАНСМИССИЯ.....	13
FIG.E10	КИК СТАРТЕР	15
FIG.E11	МОТОР СТАРТЕРА.....	16
FIG.E12	МАГНЕТТО	17
FIG.E13	ТРИГТЕР	18

FIG.E1



E1

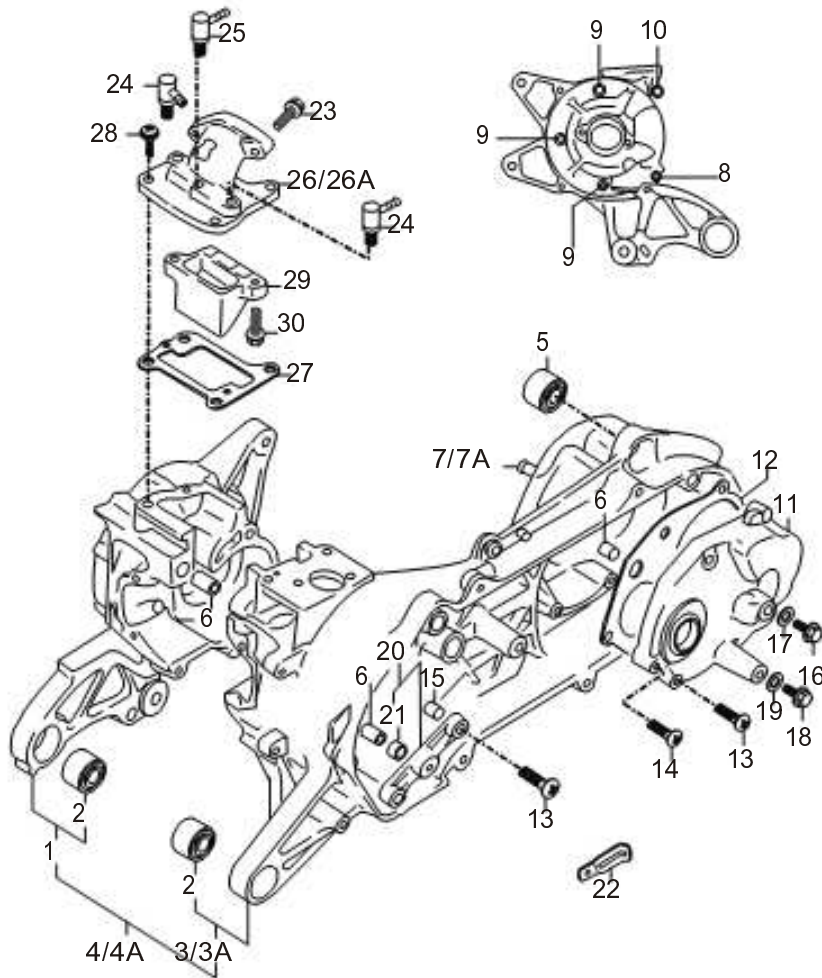
FIG.E1

ЦИЛИНДР

Ref.No.	Part No.	Description	Q'ty	Remarks
1	H1E41QMB.02-4	Cylinder head	1	
2	H1E41QMB.02-1	Gasket cylinder head	1	
3	GB6177.1-2000	Nut M6	4	
4	H1E41QMB.02-6	Spark plug E7RTC	1	
5	H1E41QMB.02-5	Cylinder	1	
6	H1E41QMB.02-2	Gasket, cylinder	1	
7	H1E41QMB.02-3	Stud	4	

H1E41QMB

FIG.E2



H1E41QMB

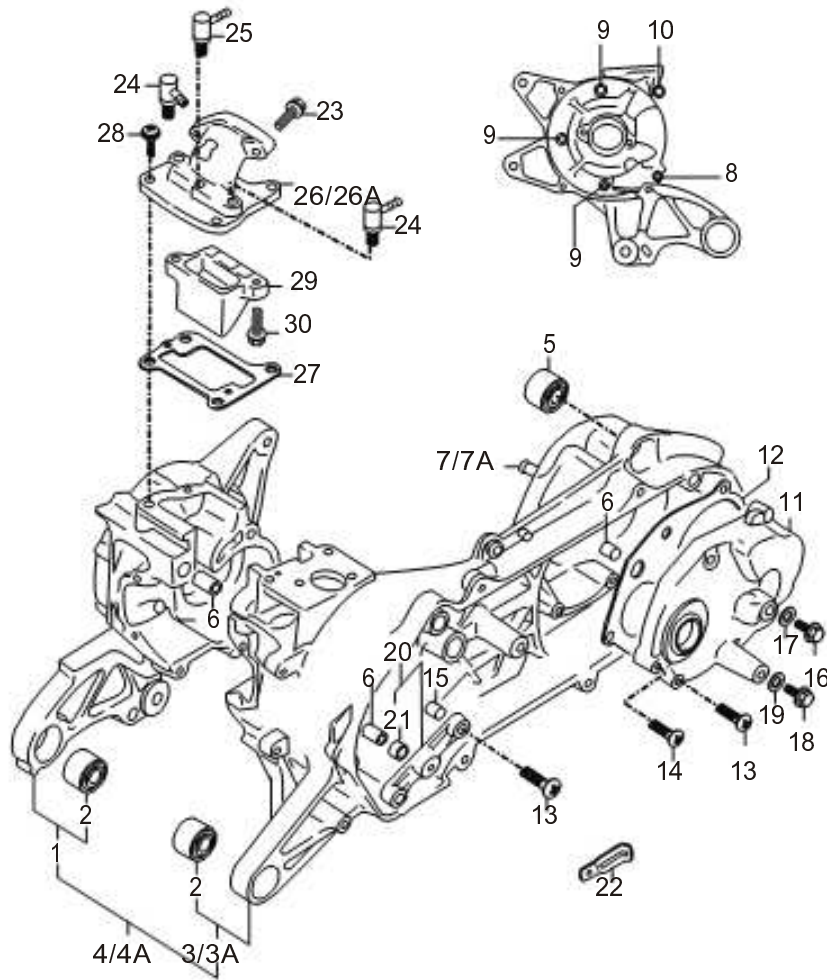
E2

FIG.E2

KAPTEP

Ref.No.	Part No.	Description	Q'ty	Remarks
1	H1E41QMB01-02	Crankcase, RH	1	
2	H1E41QMB01.1-00	Bush	2	
3	H1E41QMB.01-01	Crank case, LH	1	
3A	H1E41QMB-A.01-01	Crank case, LH	1	
4		Crankcase assy	1	
4A		Crankcase assy	1	
5	H1E41QMB01.2-00	Bush, rear shock absorber	1	
6	H1E41QMB01-05	Dowel pin	6	
7	H1E41 QMB.01-19	Pin, brake shoes	1	
7A	H1E52QMG.01-19	Pin, brake shoes	1	
8	GB8182000	Screw M6 x 80	1	
9	GB818-2000	Screw M6 x 85	3	
10	GB818-2000	Screw M6 x 45	1	
11	H1E41QMB01-07	Cover, gear box	1	
12	H1E41QMB01-08	Gasket, gear box cover	1	
13	GB818-85	Screw M6x30	5	
14	GB818-85	Screw M6x25	1	
15	H1E41QMB01-13	Dowel pin	2	
16	GB5789-86-A	Bolt M8x1.25x12	1	
17	K157FMI.02-25	Washer	1	

FIG.E2



H1E41QMB

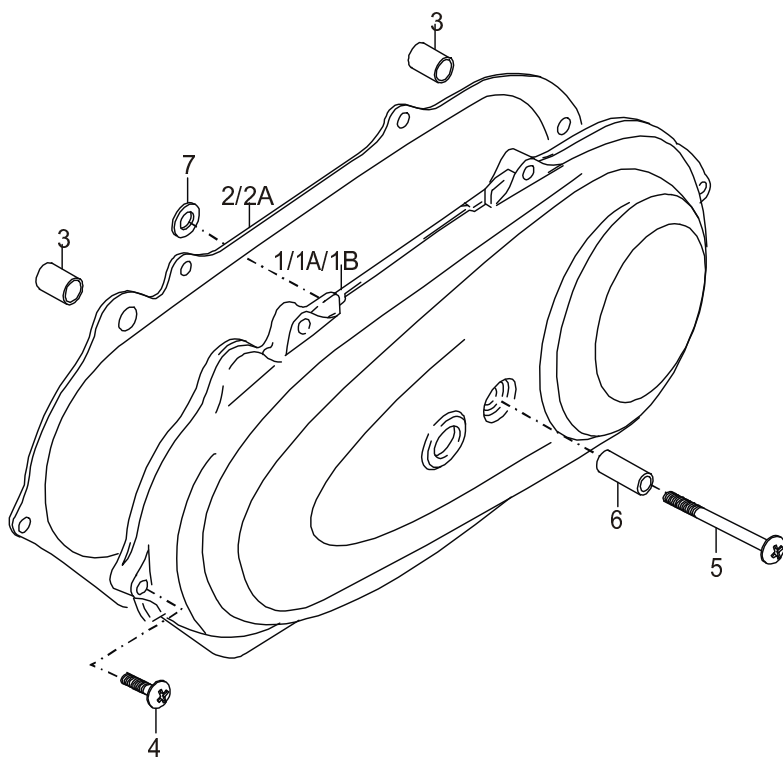
E2

FIG.E2

KAPTEP

Ref.No.	Part No.	Description	Q'ty	Remarks
18	GB5789-86-A	Bolt M6 x 12, drain plug	1	
19	K157FMI.01.4-00	Gasket	1	
20	H1E41QMB01-09	Cap set starter idle gear	1	
21	H1E41QMB01-15	Bush	2	
22	H1E41QMB01-10	Clamp	1	
23	GB9074.11	Bolt Mx20	2	
24	H1E41QMB.14.04-00	Joint	2	
25	H1E41QMB.14.03-00	One-way valve	2	
26	H1E41QMB14-4	Pipe intake	1	
26A	H1E41QMB-A.14.4-00	Pipe intake	1	
27	H1E41QMB14-3	Gasket intake pipe	1	
28	GB9074.7	Screw M6x20	4	
29		Reed valve assy	1	
30	H1E41QMB14.02-00	Screw	2	

FIG.E3



H1E41QMB

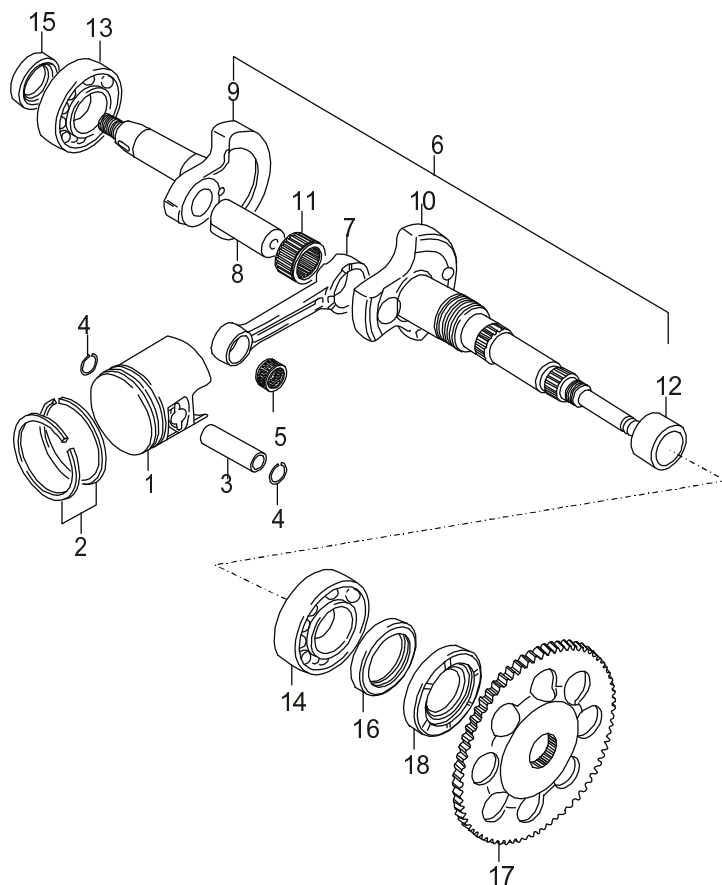
E3

FIG.E3

КРЫШКА КАРТЕРА ЛЕВАЯ

Ref.No.	Part No.	Description	Q'ty	Remarks
1	H1E41QMB.01-03	Cover, clutch	1	
1A	H1E41QMB-A.01-03	Cover, clutch	1	
1B	H1E41QMB-A.01-03A	Cover, clutch	1	
2	H1E41QMB.01-04	Gasket clutch cover	1	
2A	H1E41QMB-A.01-04	Gasket clutch cover	1	
3	H1E41QMB01-05	Dowel pin	2	
4	GB818-2000	Screw M6x25H	6	
5	GB818-2000	Screw M6x65H	1	
6	H1E41QMB01-11	Spacer	1	
7	H1E41QMB01-12	Gasket	1	

FIG.E4



H1E41QMB

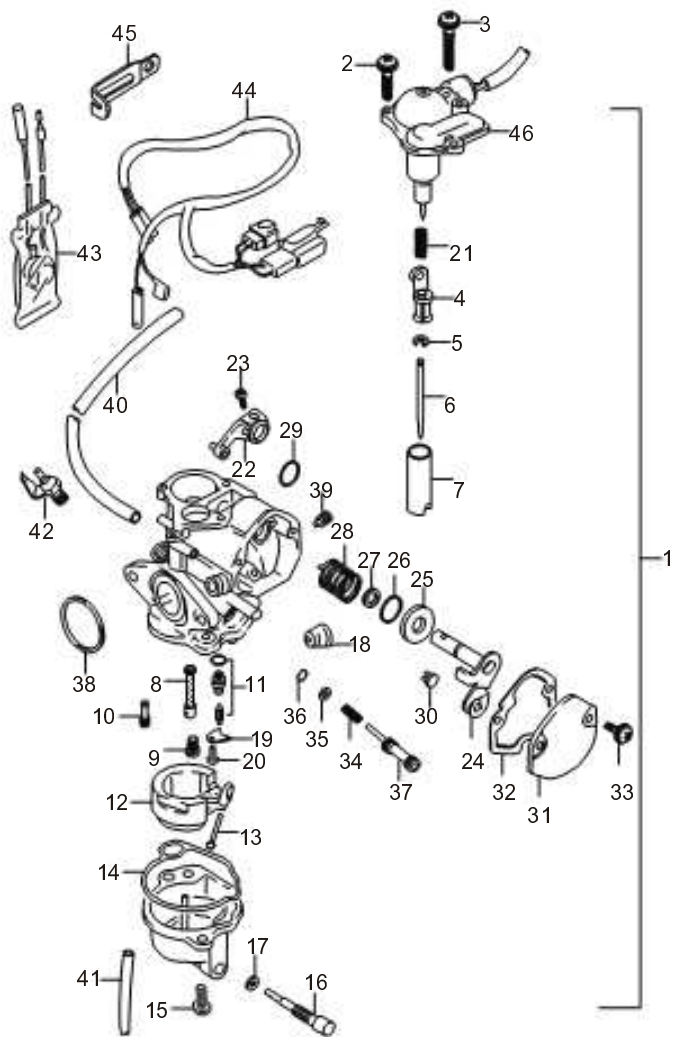
E 4

FIG.E4

КОЛЕНВАЛ

Ref.No.	Part No.	Description	Q'ty	Remarks
1	H1E41QMB.03-06	Piston	1	
2	H1E41QMB.03-07.08.09	Ring set, piston	1	
3	H1E41QMB.03-05	Pin, piston	1	
4	H1E41QMB.03-12	Circlip	2	
5	H1E41QMB.03-10	Bearing	1	
6	H1E41QMB.03-00	Crankshaft assy	1	
7	H1E41QMB.03-04	Rod, connecting	1	
8	H1E41QMB.03-03	Pin, crank	1	
9	H1E41QMB.03-02	Crank, RH	1	
10	H1E41QMB.03-01	Crank, LH	1	
11	H1E41QMB.03-11	Bearing	1	
12	H1E41QMB.03-18	Spacer, crankshaft	1	
13	H1E41QMB.03-14	Bearing, RH	1	
14	H1E41QMB.03-13	Bearing, LH	1	
15	H1E41QMB.03-16	Oil seal, RH	1	
16	H1E41QMB.03-15	Oil seal, LH	1	
17	H1E41QMB.06D-01	Gear, starter	1	
18	H1E41QMB.03-17	Oil seal	1	

FIG.E5



H1E41QMB

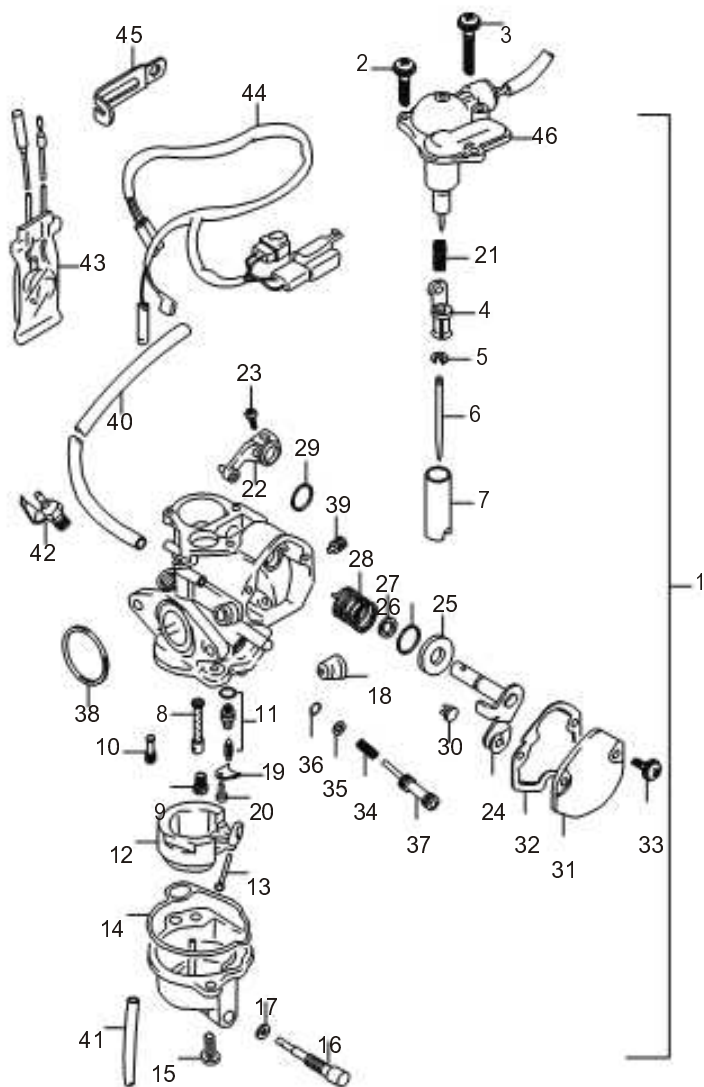
E5

FIG.E5

КАРБЮРАТОР

Ref.No.	Part No.	Description	Q'ty	Remarks
1	H1E41QMB.08-00	Carburetor assy	1	
2		Screw	2	
3		Screw	1	
4		Joint	1	
5		Clip, needle	1	
6		Needle, jet	1	
7		Throttle, valve	1	
8		Jet, needle	1	
9		Jet, main	1	
10		Jet, pilot	1	
11		Valve assy, needle	1	
12		Float	1	
13		Pin, float	1	
14		Gasket	1	
15		Screw	2	
16		Screw drain	1	
17		O Ring	1	
18		Cap, carburetor	1	
19		Plate	1	
20		Screw	1	

FIG.E5



E5

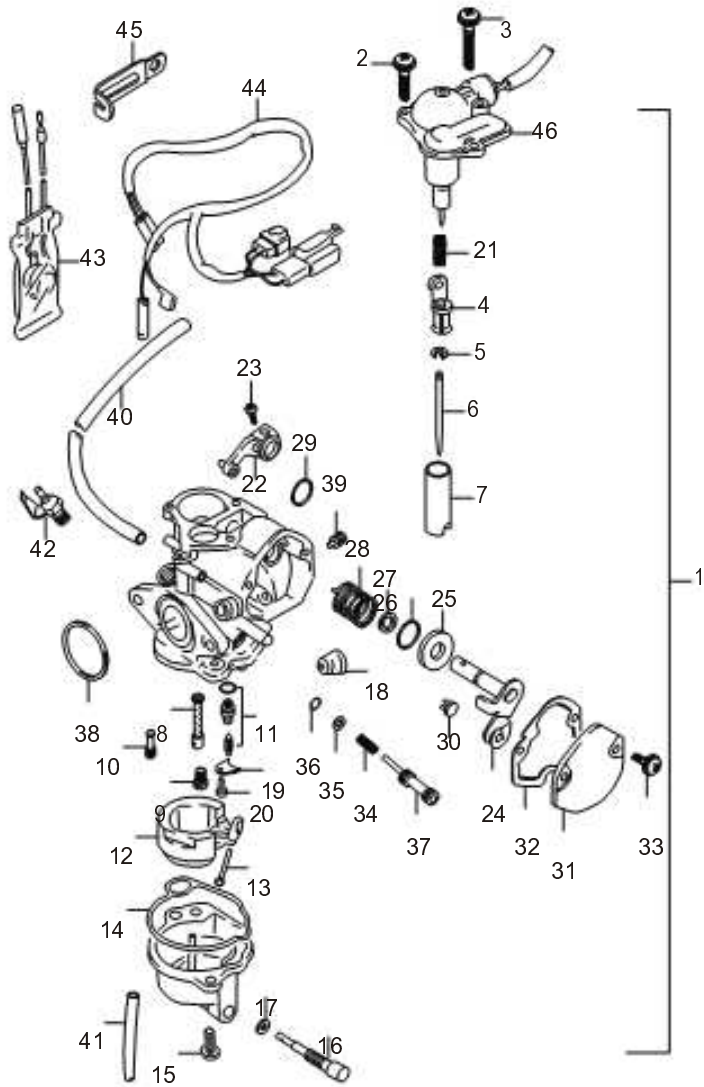
FIG.E5

КАРБЮРАТОР

Ref.No.	Part No.	Description	Q'ty	Remarks
21		Spring	1	
22		Lever, throttle valve	1	
23		Screw	1	
24		Shaft assy, throttle	1	
25		Seat	1	
26		Ring	1	
27		Oil seal	1	
28		Spring	1	
29		Ring	1	
30		Guide, cable	1	
31		Cover, throttle valve	1	
32		Gasket	1	
33		Screw	1	
34		Spring	1	
35		Washer	1	
36		O Ring	1	
37		Adjustment	1	
38		O Ring	1	
39		Jet, air	1	
40		Hose	1	

H1E41QMB

FIG.E5



E5

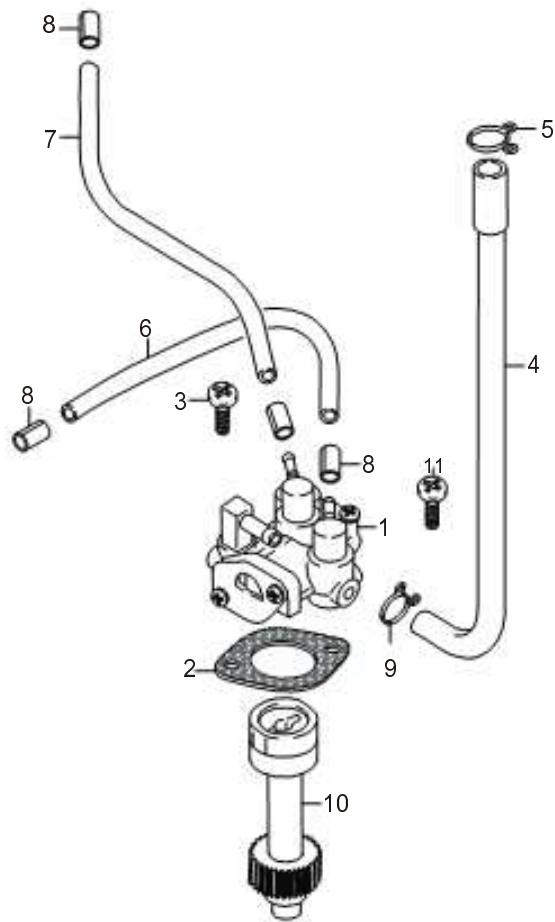
FIG.E5

КАРБЮРАТОР

Ref.No.	Part No.	Description	Q'ty	Remarks
41		Hose	1	
42		Heater, throttle	1	
43		Switch, thermo	1	
44		Wire, carburetor heater	1	
45		Clamp	1	
46		Element assy, thermo	1	

H1E41QMB

FIG.E6



E6

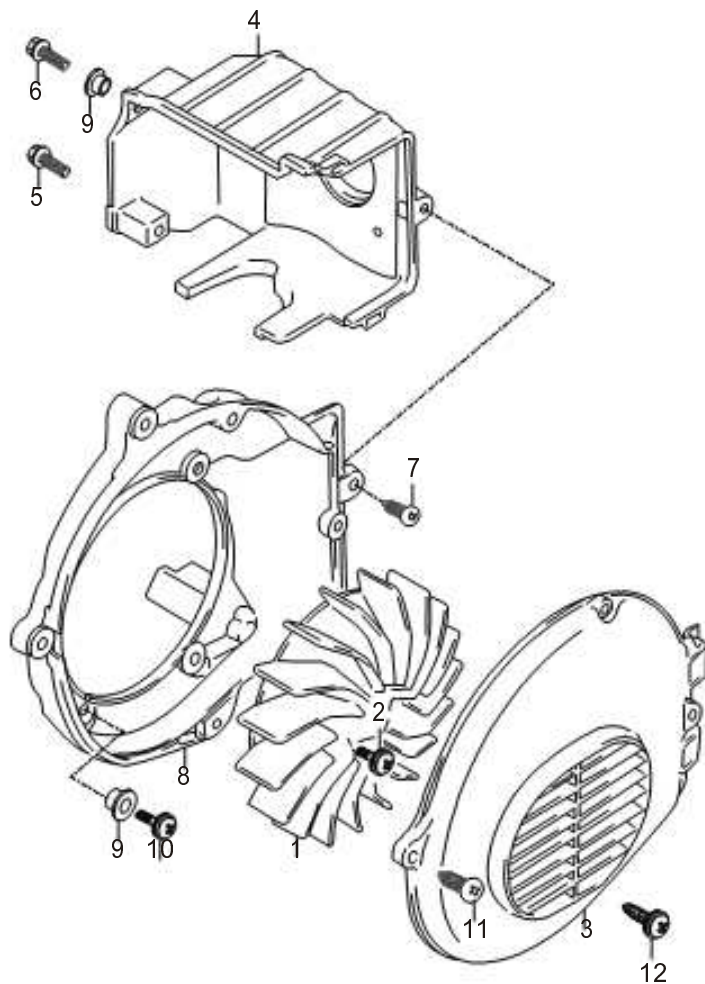
FIG.E6

MACJIO HACOC

Ref.No.	Part No.	Description	Q'ty	Remarks
1	H1E41QMB.12.1-00	Oil pump assy	1	
2	H1E41QMB.12-1	Gasket	1	
3	GB9074.3-88	Screw M5x16	1	
4	H1E41QMB.12-10	Hose, oil	1	
5	H1E41QMB.12-11	Clamp, oil hose	1	
6	H1E41QMB.12-7	Hose, oil	1	
7	H1E41QMB12-5	Hose, oil	1	
8	H1E41QMB.12-8	Clamp	5	
9	H1E41QMB.12-11	Circlip, oil hose	1	
10	H1E41QMB.12-2	Gear, oil pump, driven	1	
11	GB9074.4-88	Screw M5x20	1	

H1E41QMB

FIG.E7



H1E41QMB

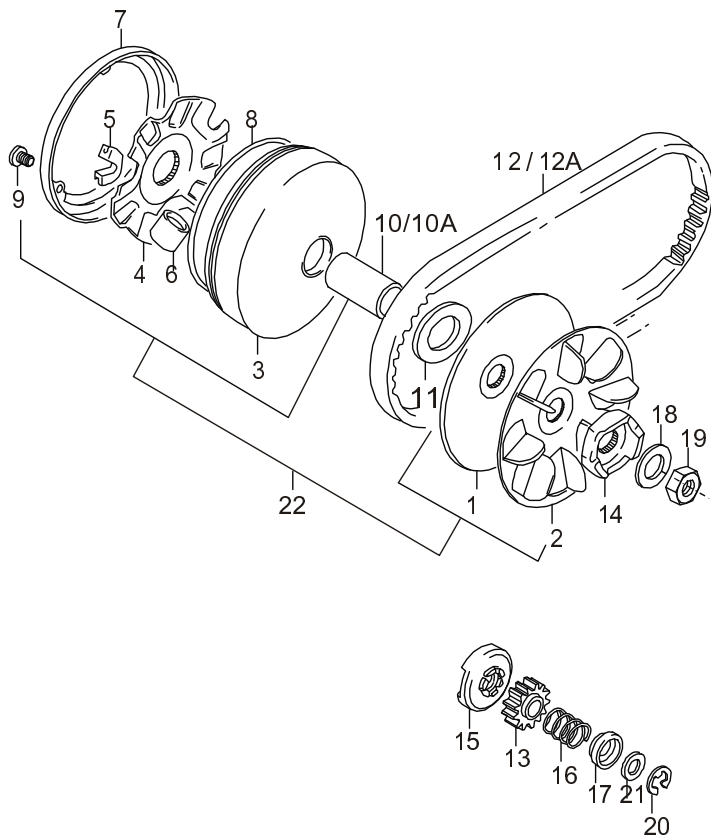
E 7

FIG.E7

КРЫЛЬЧАТКА

Ref.No.	Part No.	Description	Q'ty	Remarks
1	H1E41QMB.16.02-00	Fan, cooling	1	
2	GB9074.1-88	Screw M6 x 12	2	
3	H1E41QMB.16-02	Cowling, fan	1	
4	H1E41QMB.16.01-00	Cowling, cylinder	1	
5	GB9074.1-88	Screw M6 x 35	1	
6	GB9074.4-88	Screw M6 x 25	1	
7	GB9074.18-88	Screw ST6.3x19	1	
8	H1E41QMB16-01	Case, fan	1	
9	H1E41QMB.16-03	Washer	5	
10	GB823-88	Screw M6 x 16	4	
11	GB845-85	Screw ST6.3 x25	2	
12	GB9074.18-88	Screw ST5.5 x 19	3	

FIG.E8



H1E41QMB

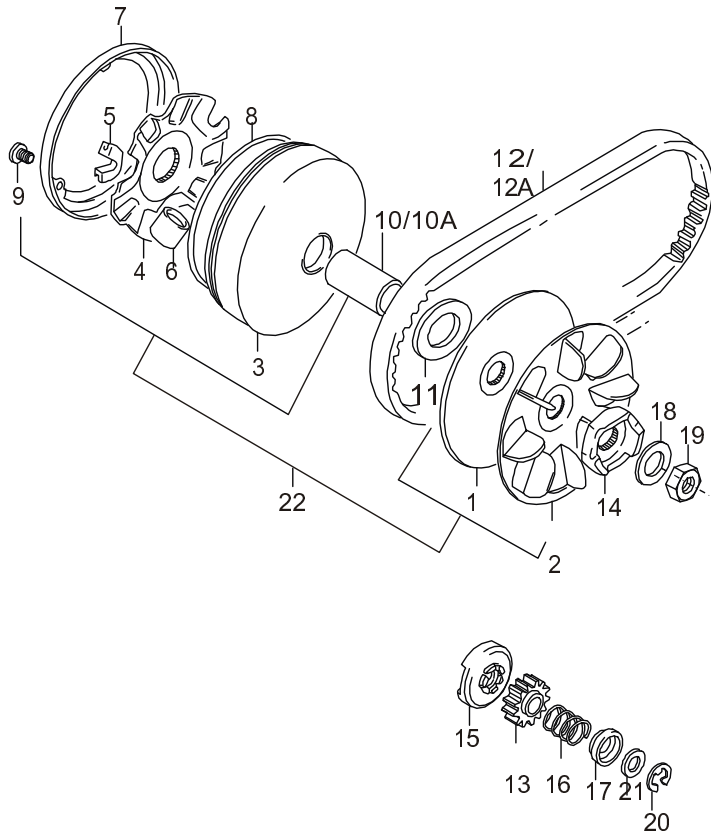
E 8

FIG.E8

PEMEHB

Ref.No.	Part No.	Description	Q'ty	Remarks
1	H1E41QMB.04-21	Face, fixed drive	1	
2	H1E41QMB.04-20	Fan, fixed drive face	1	
3	H1E41QMB.04.7-00	Face, movable drive	1	
4	H1E41QMB.04-03	Plate, movable drive	1	
5	H1E41QMB.04-04	Damper, movable drive plate	3	
6	H1E41QMB.04.6-00	Roller, movable drive face	6	
7	H1E41QMB.04-01	Cover, movable drive face	1	
8	H1E41QMB.04-22	O Ring	1	
9	GB818-85	Screw M4x8	3	
10	H1E41QMB.04-02	Spacer	1	
10A	H1E41QMB-A.04-01	Spacer	1	
11	H1E41QMB-A.04-02	Washer	1	
12	H1E41QMB.04-19	Belt, drive	1	
12A	H1E41QMB-A.04-19	Belt, drive	1	
13	H1E41QMB.06.1-00	Gear, kick starter driven	1	
14	H1E41QMB.06-02	Ratchet, kick RH	1	
15	H1E41QMB.06-03	Ratchet, kick LH	1	
16	H1E41QMB.06-05	Spring	1	
17	H1E41QMB.06-06	Spacer	1	
18	H1E41QMB.06-01	Washer	1	
19	H1E41QMB.06-04	Nut	1	

FIG.E8



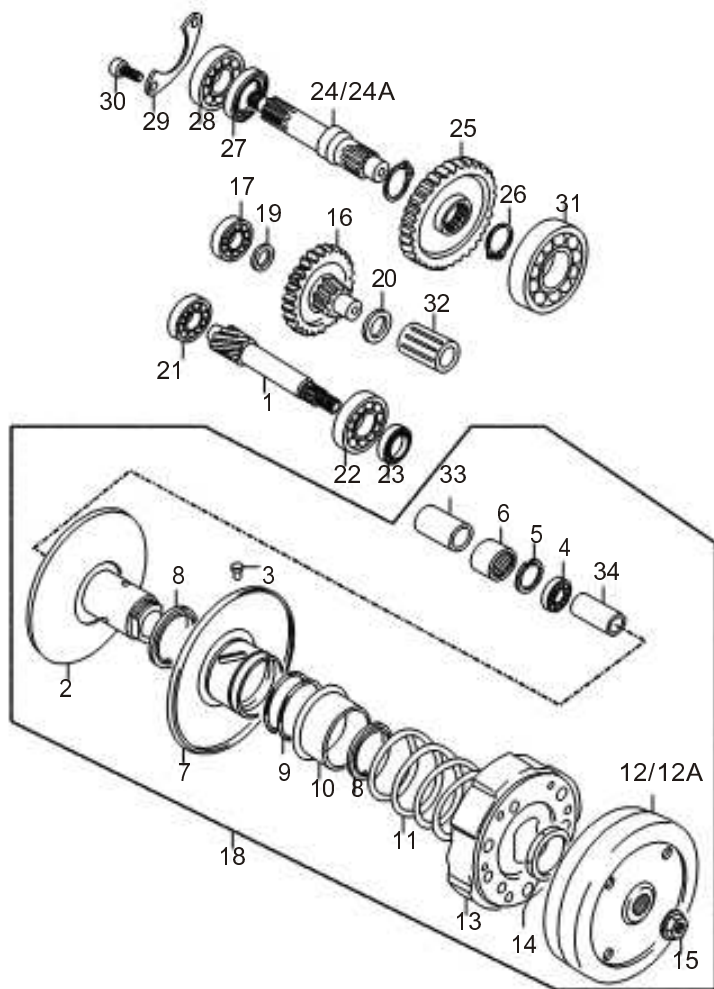
H1E41QMB

E 8
FIG.E8

PEMEHB

Ref.No.	Part No.	Description	Q'ty	Remarks
20	H1E41QMB.06-08	E Ring	1	
21	H1E41QMB.06-07	Washer	1	
22		Clutch comp, drive	1	

FIG.E9



H1E41QMB

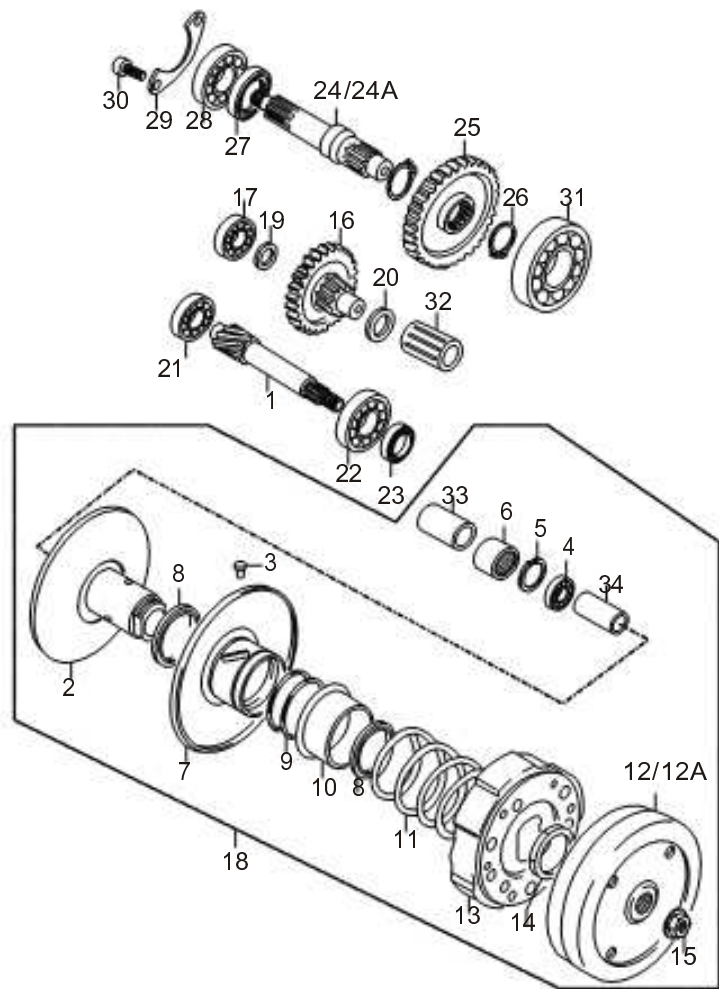
E9

FIG.E9

ТРАНСМИССИЯ

Ref.No.	Part No.	Description	Q'ty	Remarks
1	H1E41QMB.04-06	Shaft, driven	1	
2	H1E41QMB.04.5-00	Face fixed driven	1	
3	H1E41QMB.04-16	Pin	3	
4	H1E41QMB.04-24	Bearing	1	
5	GB893.1-86	Circlip 28	2	
6	H1E41QMB.04-28	Bearing	1	
7	H1E41QMB.04.2-00	Face, movable driven	1	
8	H1E41QMB.04.-18	Oil seal	2	
9	H1E41QMB.04-26	O Ring	2	
10	H1E41QMB.04-15	Seat, movable face	1	
11	H1E41QMB.04-17	Spring	1	
12	H1E41QMB.04.4-00	Hub assy, clutch	1	
12A	H1E41QMB.04.4-00A	Hub assy, clutch	1	
13	H1E41QMB.04.3-00	Clutch assy	1	
14	H1E41QMB.04-25	Nut	1	
15	H1E41QMB.04-30	Nut	1	
16	H1E41QMB.04.1-00	Shaft, idle	1	
17	GB/T276-94	Bearing 6201	1	
18		Clutch assy, driven	1	
19	H1E41QMB.04-07	Washer I	1	

FIG.E9



H1E41QMB

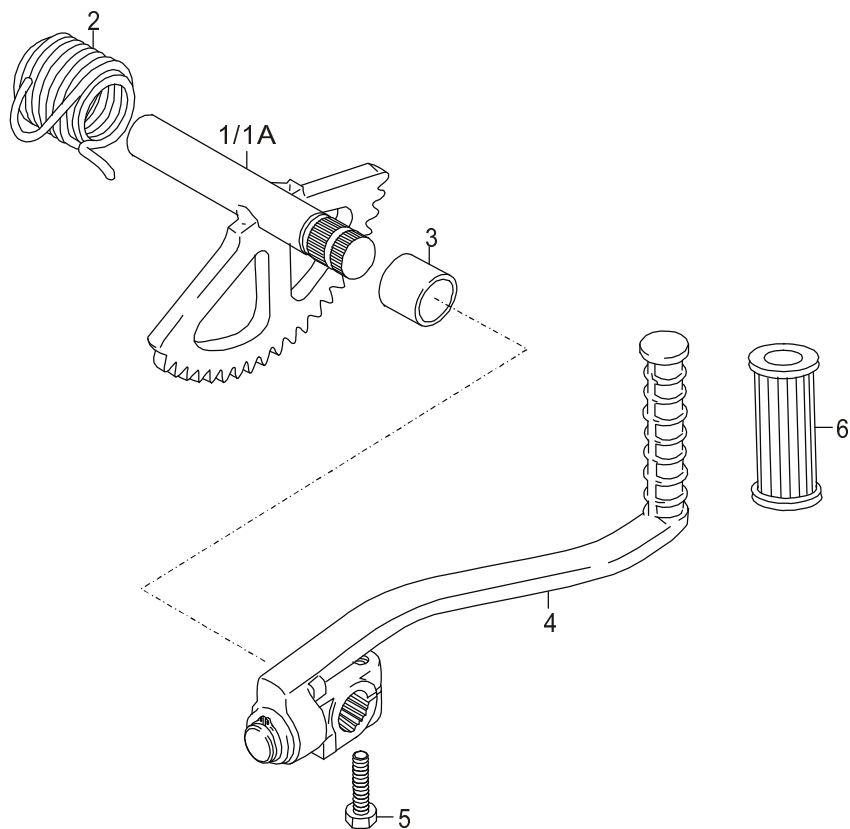
E9

FIG.E9

ТРАНСМИССИЯ

Ref.No.	Part No.	Description	Q'ty	Remarks
20	H1E41QMB.04-13	Washer II	1	
21	GB/T276-94	Bearing, drive shaft, RH 6201	1	
22	GB276-94	Bearing drive shaft, LH 6303	1	
23	H1E41QMB.04-23	Oil seal, drive shaft	1	
24	H1E41QMB.04-09	Shaft, rear	1	
24A	H1E52QMG-A.04-01	Shaft, rear	1	
25	H1E41QMB.04-12	Gear, final driven	1	
26	H1E41QMB.04-11	Circlip II	2	
27	H1E41QMB.04-10	Oil seal, rear shaft	1	
28	GB/T276-94	Bearing 6204-2RS	1	
29	H1E41QMB.04-08	Retainer, rear shaft bearing	1	
30	GB819.2-1997	Screw M6x16	2	
31	GB/T276-94	Bearing, rear axle, LH 6203	1	
32	H1E41QMB.04-14	Bearing, idle shaft, LH	1	
33	H1E41QMB.04-27	Spacer I	1	
34	H1E41QMB.04-29	Spacer II	1	

FIG.E10



H1E41QMB

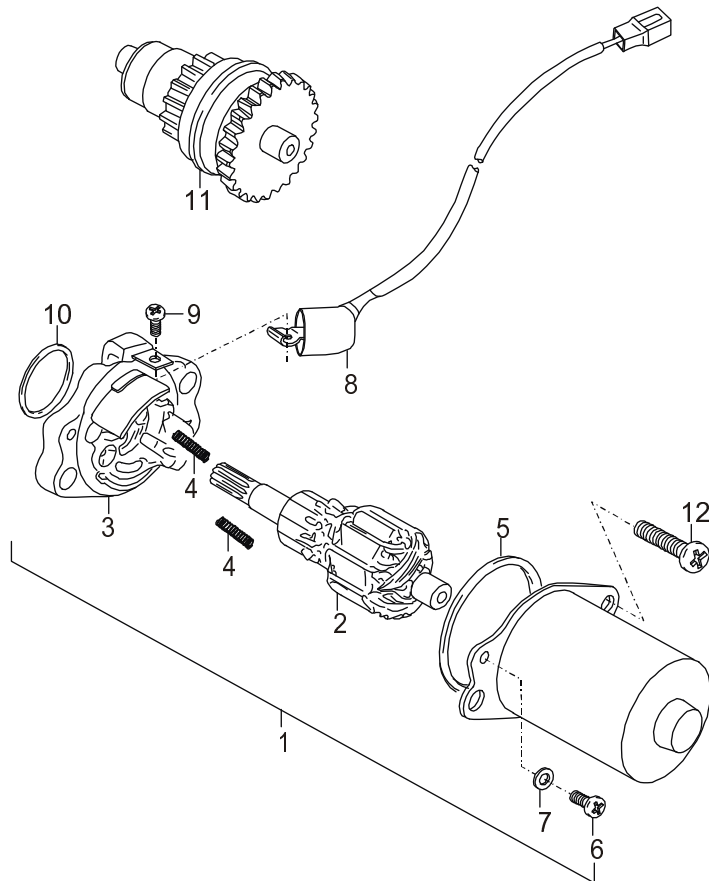
E10

FIG.E10

КИК СТАРТЕР

Ref.No.	Part No.	Description	Q'ty	Remarks
1	H1E41QMB.06.3-00	Shaft assy, kick starter	1	
1A	H1E41QMB-A.06.3-00	Shaft assy, kick starter	2	
2	H1E41QMB.06-11	Spring	1	
3	H1E41QMB.06-9	Bush	1	
4	H1E41QMB.06.2-00	Lever assy, kick starter	1	
5	H1E41QMB.06-10	Bolt	1	
6		Rubber	1	

FIG.E11



H1E41QMB

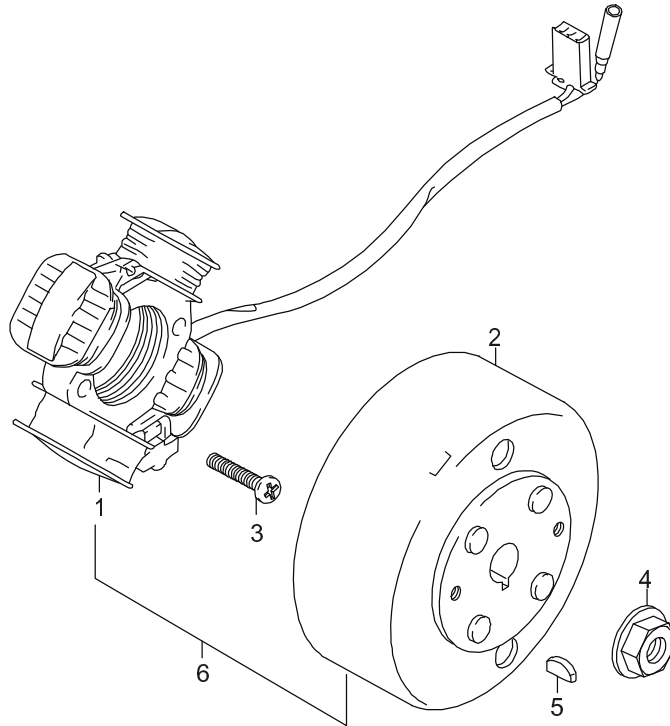
E11

FIG.E11

MOTOP CTAPTEPA

Ref.No.	Part No.	Description	Q'ty	Remarks
1	H1E41QMB.06D.1.1-00	Motor assy, starting	1	
2		Armature assy	1	
3		Holder assy brush	1	
4		Spring brush	2	
5		Gasket	1	
6		Screw M4x10	2	
7		Lock washer 4	2	
8		Wire, starting motor	1	
9		Screw	1	
10		Gasket	1	
11	H1E41QMB.06D.1.2-00	Clutch assy staring motor	1	
12	GB818-2000	Screw M6 x 25	2	

FIG.E12



E12

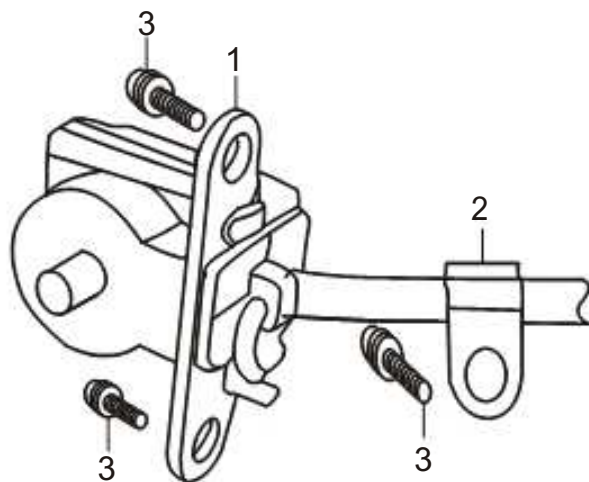
FIG.E12

MAGHETTO

Ref.No.	Part No.	Description	Q'ty	Remarks
1	H1E41QMB07.1.2-00	Stator assy	1	
2	H1E41QMB07.1.1-00	Rotor assy	1	
3	GB823-88	Screw M6x22	2	
4	GB6177.2-2000	Nut M10 x 1.25	1	
5	GB1099.1-2003	Key 3	1	
6	H1E41QMB07.1-00	Magneto assy	1	

H1E41QMB

FIG.E13



E13

FIG.E13

ТРИГГЕР

Ref.No.	Part No.	Description	Q'ty	Remarks
1	H1E41QMB-A.17-01	Trigger	1	
2	H1E41Q MB-A.17-02	Plank	1	
3	GB9074.4-88	Screw M5x12	3	

H1E41QMB