



КАТАЛОГ ЗАПЧАСТЕЙ

JOKER 50/125

QM50T/125T-10V

www.SkyBike.com.ua

Внимание!

Для заказа запчастей необходимо в каталоге найти страницу с изображением интересующей вас детали. В левом верхнем углу написан код рисунка. Номер детали указан возле изображения детали. Например для заказа прокладки глушителя, для модели FORTUNE 50, вы пишете в заявке – "FIG.13 – 8 Прокладка глушителя" (или название на английском из каталога) и необходимое количество. Если группа деталей объединена скобкой, это значит, что детали продаются в комплекте.

После того, как вы определились с выбором детали, вы можете сделать заказ, уточнить наличие на складе, цену, позвонив по телефонам указанным на [сайте](#) или отправьте запрос на наш e-mail: repair@skybike.com.ua

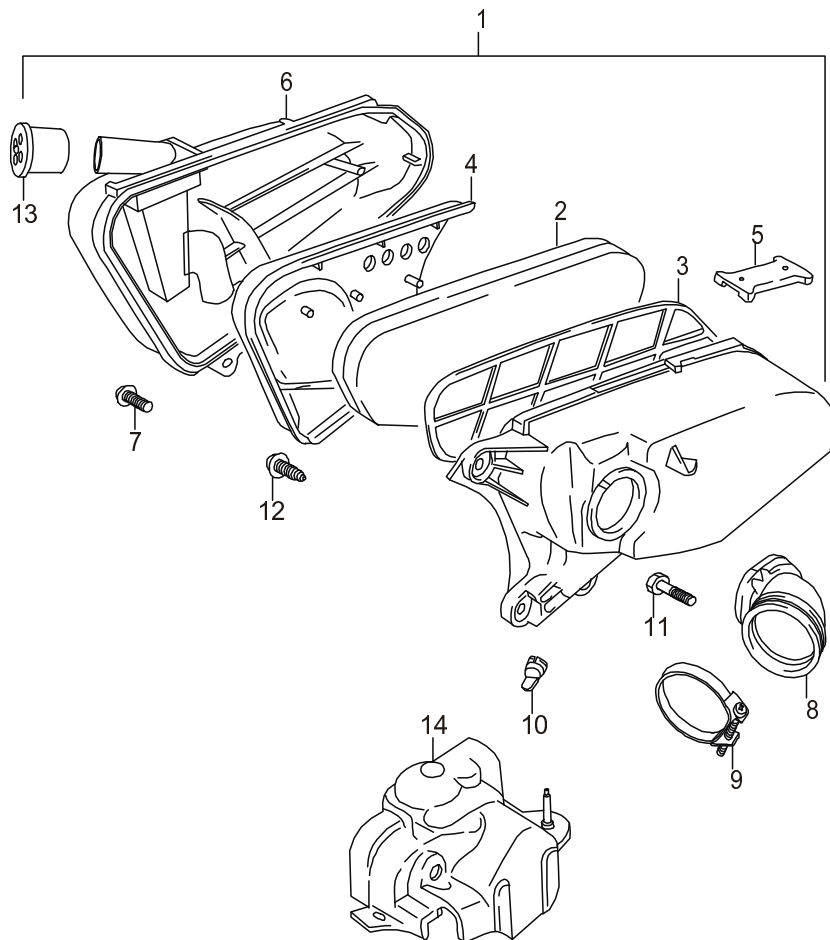
КАТАЛОГ ЗАПЧАСТЕЙ

№.		Стр
FIG.13	ВОЗДУШНЫЙ ФИЛЬТР	1
FIG.13A	ВОЗДУШНЫЙ ФИЛЬТР	2
FIG.14	ГЛУШИТЕЛЬ	3
FIG.14A	ГЛУШИТЕЛЬ	4
FIG.14B	ГЛУШИТЕЛЬ	5
FIG.15	ПРОВОДКА	6
FIG.16	ЭЛЕКТРИЧЕСКИЕ ЧАСТИ	7
FIG.17	РАМА	8
FIG.18	ПОДНОЖКИ	9
FIG.19	СПИДОМЕТР	10
FIG.20	ФАРА	11
FIG.21	УКАЗАТЕЛИ ПОВОРОТОВ	12
FIG.21A	УКАЗАТЕЛИ ПОВОРОТОВ	13
FIG.22	ФОНАРЬ ЗАДНИЙ	15
FIG.23	РУЛЬ	16
FIG.24	ПЕРЕКЛЮЧАТЕЛИ РУЛЕВЫЕ	17
FIG.25	ПЕРЕДНИЙ ТОРМОЗ	19
FIG.26	ПЕРЕДНИЙ ПЛАСТИК	21
FIG.27	ВНУТРЕННИЙ ПЛАСТИК	22
FIG.28	БОКОВОЙ ПЛАСТИК	24
FIG.29	СИДУШКА	25

КАТАЛОГ ЗАПЧАСТЕЙ

№.		Стр
FIG.30	КРЫЛО ПЕРЕДНЕЕ	26
FIG.31	БЕНЗОБАК	27
FIG.32	МАСЛЯНЫЙ БАК	29
FIG.33	ПЕРЕДНЯЯ ВИЛКА	30
FIG.34	ЗАДНИЙ АММОТИЗАТОР	31
FIG.35	ДИСК ПЕРЕДНИЙ	32
FIG.36	ДИСК ЗАДНИЙ	33
FIG.37	БАГАЖНИК	34
FIG.38	ИНСТРУМЕНТ	35

FIG.13



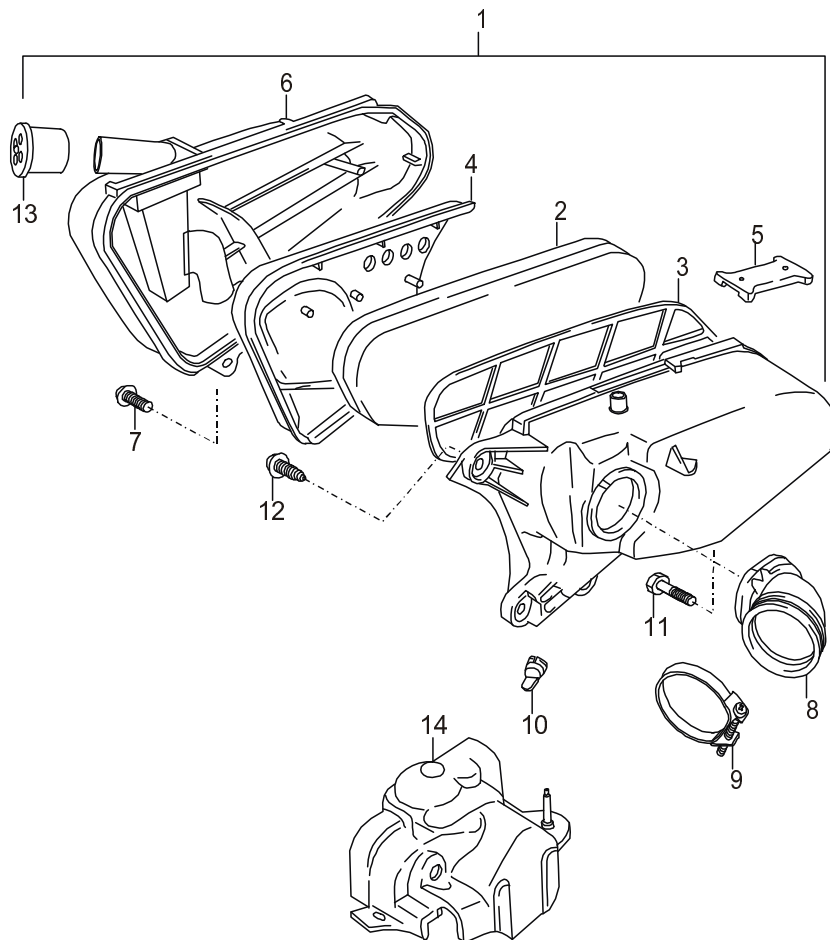
QM50T-10V

FIG.13

ВОЗДУШНЫЙ ФИЛЬТР

Номер Ref.No.	Код Part No.	Перевод Description	к во Q'ty	Remarks
1	HIE41QMB.11-00	Air cleaner assy	1	
2		Filter, air	1	
3	HIE41QMB.11-04	Frame, filter	1	
4	HIE41QMB.11-03	Partition plate	1	
5	HIE41QMB.11-14	Lock	2	
6	HIE41QMB.11-02	Cap, cleaner	1	
7	HIE41QMB.11-15	Screw	2	
8	HIE41QMB.11-09	Tube outlet	1	
9	HIE41QMB.11.1-00	Clamp assy	1	
10	HIE41QMB.11-12	Tube, drain	1	
11	GB818-85	Screw	1	
12	GB848-85	Screw	1	
13		Cleaner, intake	1	
14		Guard, carburetor	1	

FIG.13A
(Option)



13A

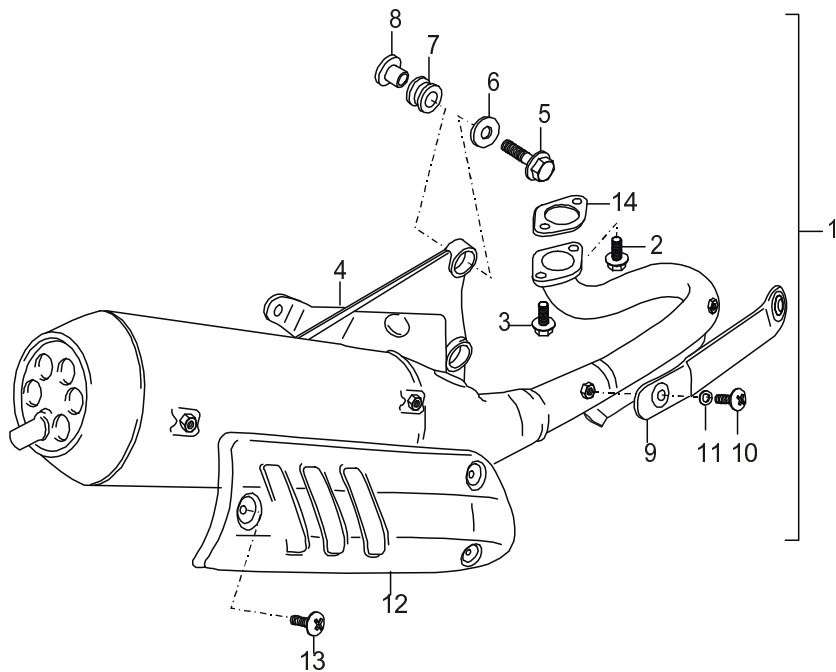
FIG.13A

ВОЗДУШНЫЙ ФИЛЬТР

Ref.No.	Part No.	Description	Q'ty	Remarks
1		Air cleaner assy	1	
2		Filter, air	1	
3	HIE41QMB.11-04	Frame, filter	1	
4	HIE41QMB.11-03	Partition	1	
5	HIE41QMB.11-14	Lock	2	
6	HIE41QMB.11-02	Cap, cleaner	1	
7	HIE41QMB.11-15	Screw	2	
8	HIE41QMB.11-09	Tube outlet	1	
9	HIE41QMB.11.1-00	Clamp assy	1	
10	HIE41QMB.11-12	Tube, drain	1	
11	GB818-85	Screw	1	
12	GB848-85	Screw	1	
13		Cleaner, intake	1	
14		Guard, carburetor	1	

QM50T-10V

FIG.14



14

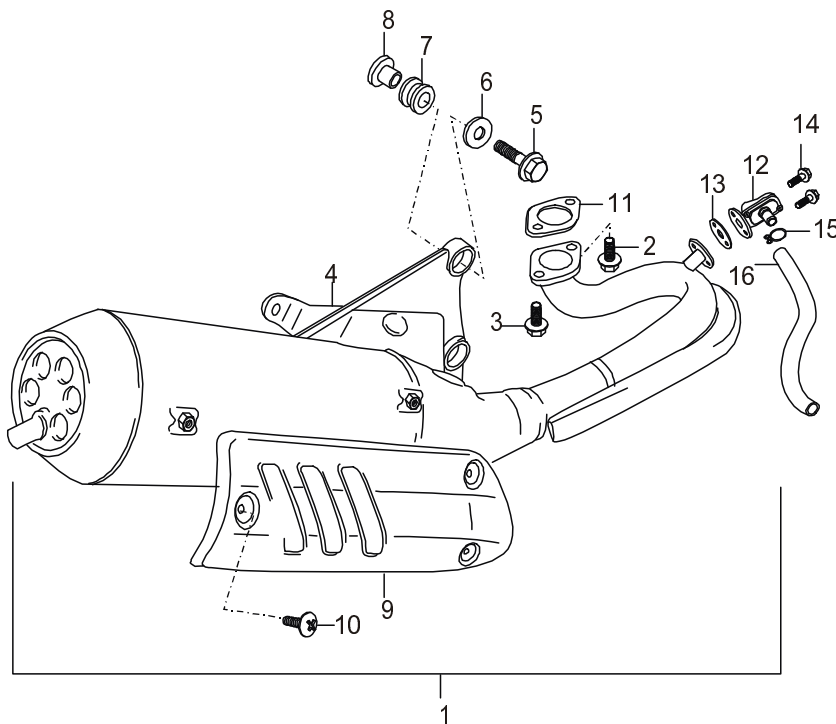
FIG.14

ГЛУШИТЕЛЬ

Ref.No.	Part No.	Description	Q'ty	Remarks
1	QM50T-10A.09-00	Muffler assy	1	
2	GB70-85	Bolt M6x20	1	
3	GB5782-86	Bolt M6x20	1	
4		Body, muffler	1	
5	GB5782-86	Bolt M8x35	2	
6	GB7246-87	Washer 8	2	
7	HIE41QMB.09-3	Cushion	2	
8	HIE41QMB.09-00	Spacer, muffler bracket	2	
9	HIE41QMB.09-1	Cover, exhaust pipe	1	
10	GB818-85	Screw M6x6	2	
11	GB7246-87	Lock washer 6	2	
12	HIE41QMB.09.0-00	Cover, muffler	1	
13	GB818-85	Screw M6x8	3	
14	HIE41QMB.09-2	Gasket, exhaust pipe	1	

QM50T-10V

FIG.14A
(Option)



14A

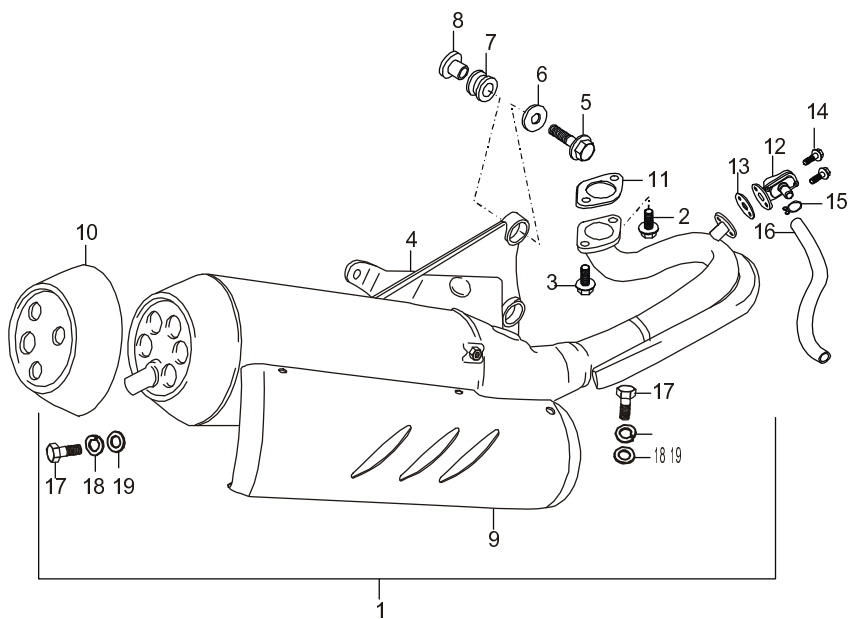
FIG.14A

ГЛУШИТЕЛЬ

Ref.No.	Part No.	Description	Q'ty	Remarks
1		Muffler assy	1	
2	GB70-85	Bolt M6x20	1	
3	GB5782-86	Bolt M6x20	1	
4		Body, muffler	1	
5	GB5782-86	Bolt M8x35	2	
6	GB7246-87	Washer 8	2	
7	HIE41QMB.09-3	Cushion	2	
8	HIE41QMB.09-00	Spacer, muffler bracket	2	
9	HIE41QMB.09.0-00	Cover, muffler	1	
10	GB818-85	Screw M6x8	3	
11	HIE41QMB.09-2	Gasket, exhaust pipe	1	
12		Valve, secondly air feeding	1	
13		Gasket, air valve	1	
14	02105Q060165 GB/T16674.1-2004	Bolt M6x16	2	
15		Clip, air valve	2	
16		Hose, air valve	1	

QM50T-10V

FIG.14B
(Option)



14B

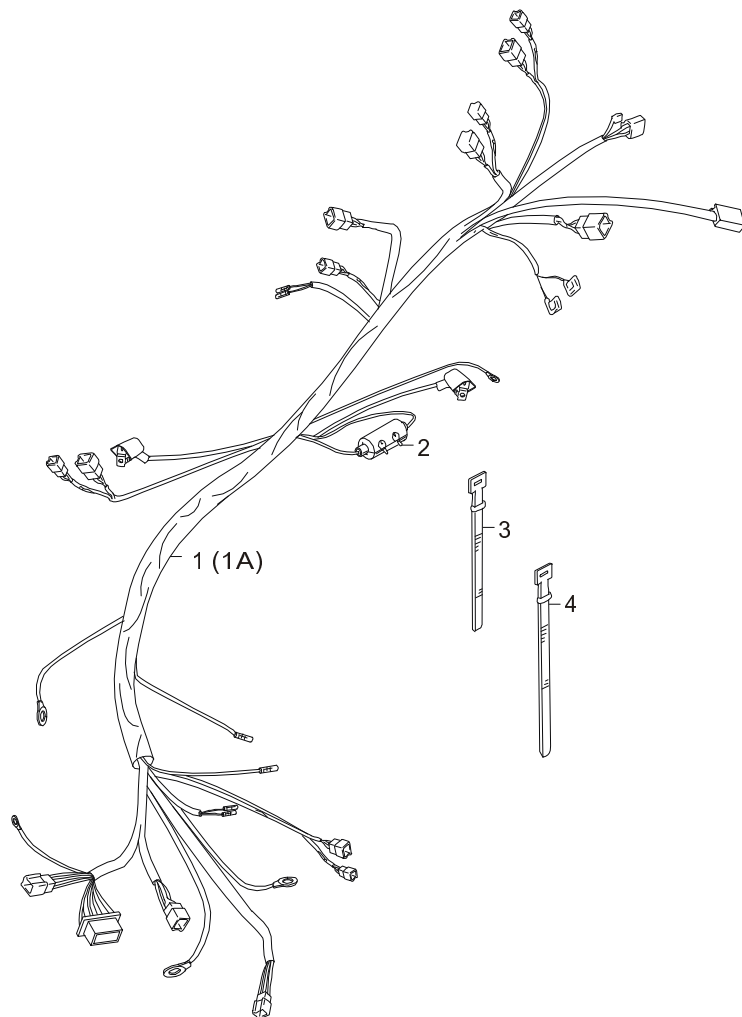
FIG.14B

ГЛУШИТЕЛЬ

Ref.No.	Part No.	Description	Q'ty	Remarks
1		Muffler assy	1	
2	GB70-85	Bolt M6x20	1	
3	GB5782-86	Bolt M6x20	1	
4		Body, muffler	1	
5	GB5782-86	Bolt M8x35	2	
6	GB7246-87	Washer 8	2	
7	HIE41QMB.09-3	Cushion	2	
8	HIE41QMB.09-00	Spacer, muffler bracket	2	
9		Cover, muffler	1	
10		Rear cover	1	
11	HIE41QMB.09-2	Gasket, exhaust pipe	1	
12		Valve, secondly air feeding	1	
13		Gasket, air valve	1	
14	02105Q060165 GB/T16674.1-2004	Bolt M6x16	2	
15		Clip, air valve	2	
16		Hose, air valve	1	
17		Bolt	8	
18		Washer	8	
19		Washer	8	

QM50T-10V

FIG.15



QM50T-10V

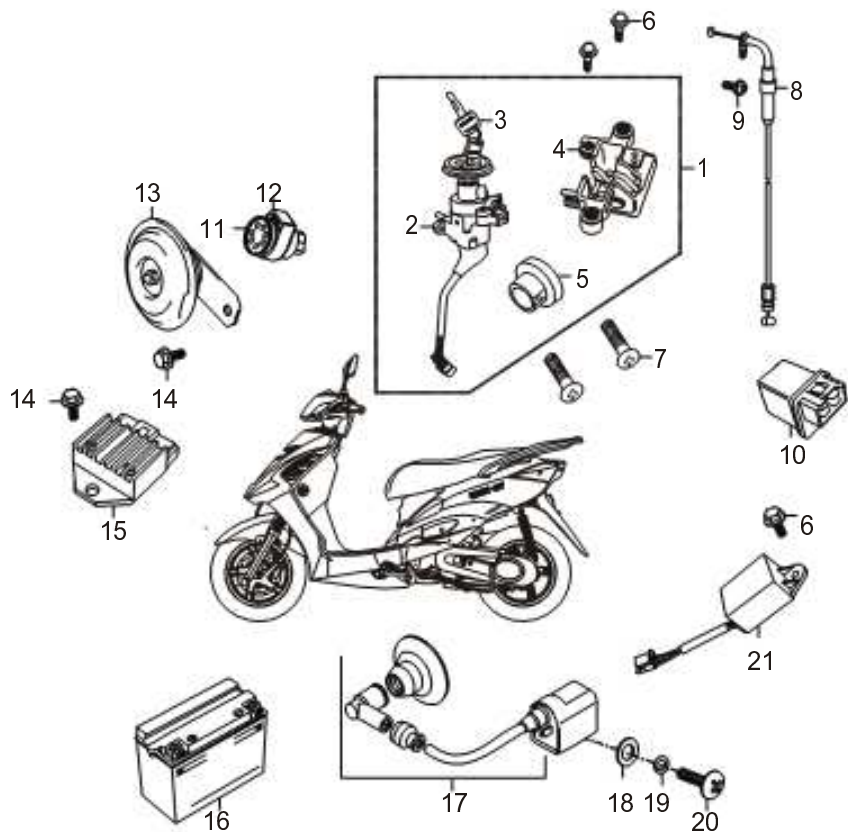
15

FIG.15

ПРОВОДКА

Ref.No.	Part No.	Description	Q'ty	Remarks
1	<u>36610QAKK000</u> QM50T-10V.67.1-00	Main harness, wiring	1	
1A		Main harness, wiring	1	
2		Fuse assy	1	
3	09407Q204001	Clamp 7x200	4	
4	09407Q254002	Clamp 7x250	2	

FIG.16



QM50T-10V

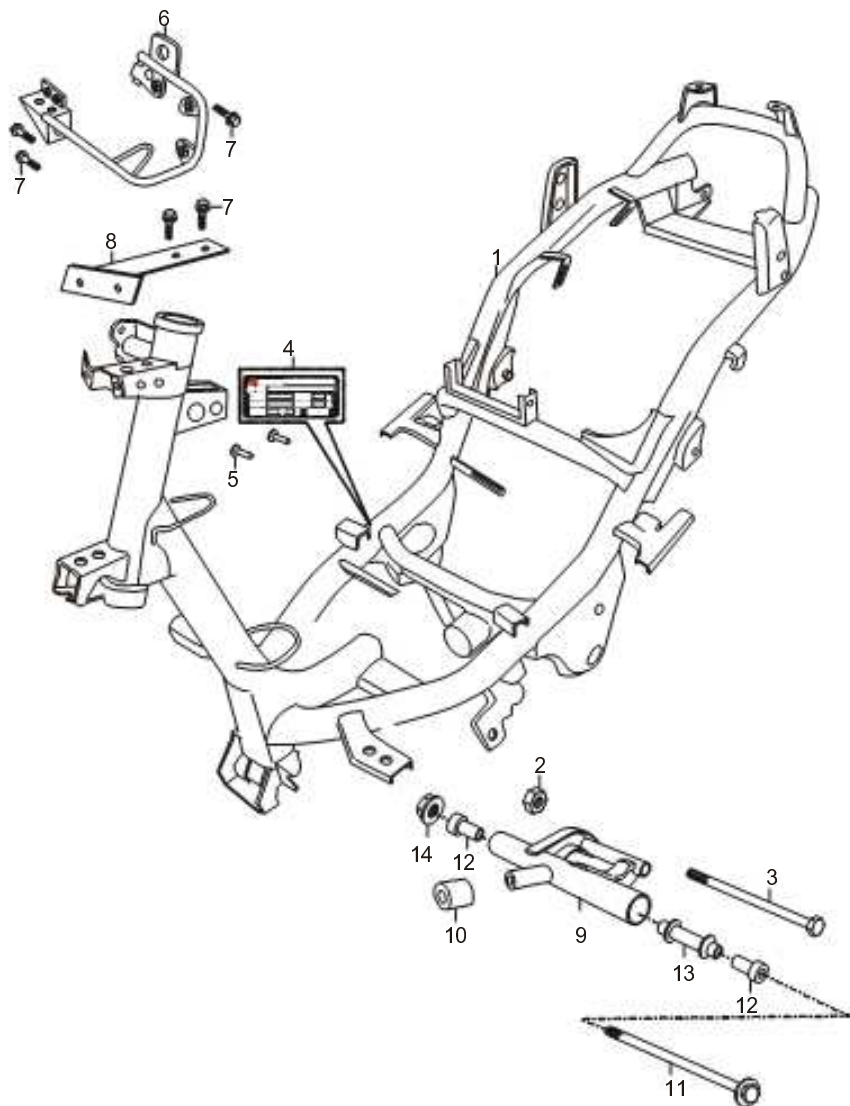
16

FIG.16

ЭЛЕКТРИЧЕСКИЕ ЧАСТИ

Ref.No.	Part No.	Description	Q'ty	Remarks
1	<u>37000QED2000</u> QM125T-4B.65-00	Lock set	1	
2	<u>37100QED2000</u> QM125T-4B.65.1-00	Switch assy, ignition	1	
3		Key	2	
4	<u>45700QED2000</u> QM125T-4B.65.3-00	Seat lock assy	1	
5	<u>44200QED2000</u> QM125T-4B.65.2-00	Cap assy, fuel tank	1	
6	<u>02104Q060162</u> GB/T16674	Screw M6x16	2	
7	<u>03411Q060161</u> GB/T818-2000	Screw M6x16	2	
8	<u>45280QED2000</u> QM125T-4B.36.2-00	Cable assy, seat lock	1	
9	<u>03411Q050121</u> GB/T818-2000	Screw M5x12	1	
10		Relay, starting motor assy	1	
11	<u>38600QEA7000</u> QM125T-G.72-00	Flasher relay	1	
12		Band, flash relay	1	
13	<u>38501QAA2000</u> QM50QT-3.63-00	Horn comp	1	
14	<u>02105Q060122</u> GB/T16674.1-2004	Bolt M6x12	2	
15		Regulator comp	1	
16	<u>33601ODA1000</u> QM100T-A.60-00	Battery assy	1	
17		Coil assy, ignition	1	
18		Washer	1	
19		Washer	1	
20		Screw	1	
21		CDI unit	1	

FIG.17



QM50T-10V

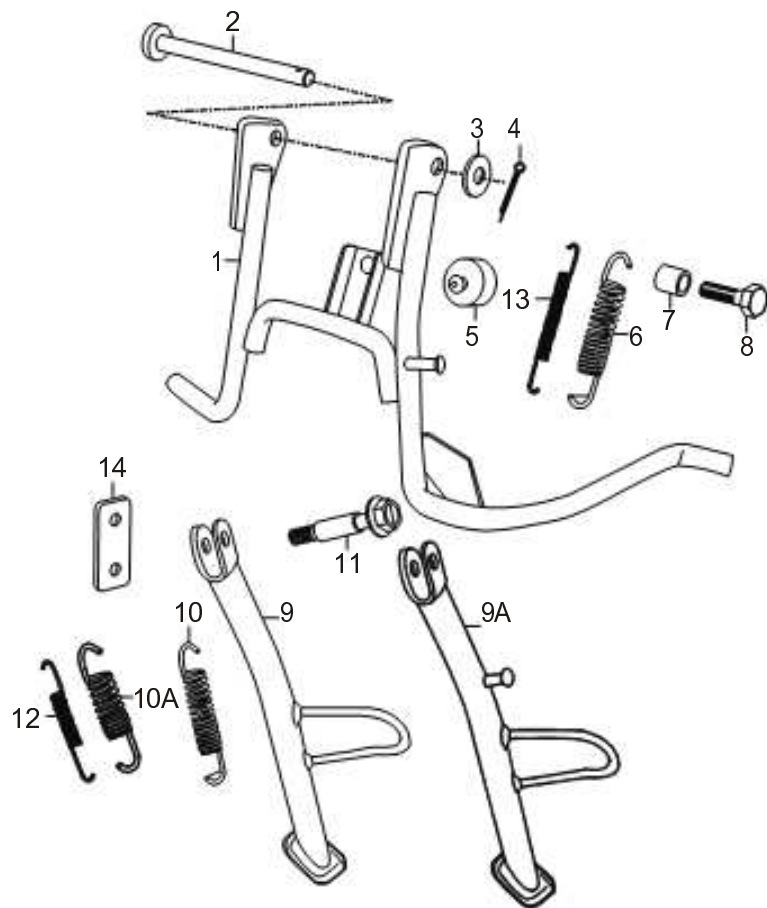
17

FIG.17

PAMA

Ref.No.	Part No.	Description	Q'ty	Remarks
1	<u>41100QAKK000</u> QM50T-10V.30.1-00	Frame comp	1	
2		Nut M12	1	
3		Bolt M12x180	1	
4		Name plate, frame	1	
5	<u>05011O220051</u> GB867-86	Rivet 2x5	2	
6	<u>41150QED2000</u> QM125T-4B.30.5-00	Bracket, front cover	1	
7	<u>02104O060122</u> GB/T16674	Flange bolt M6x12	5	
8	<u>41120QEKK000</u> QM125T-10V.30.3-00	Holder assy, front cover	1	
9	<u>41180QAKK000</u> QM50T-10V.30.2-00	Swing arm weld assy, engine mounting	1	
10		Cushion,	1	
11	<u>41188QAKK000</u> QM50T-10V.30-1	Bolt	1	
12		Spacer	2	
13		Bush	1	
14		Nut M10	1	

FIG.18



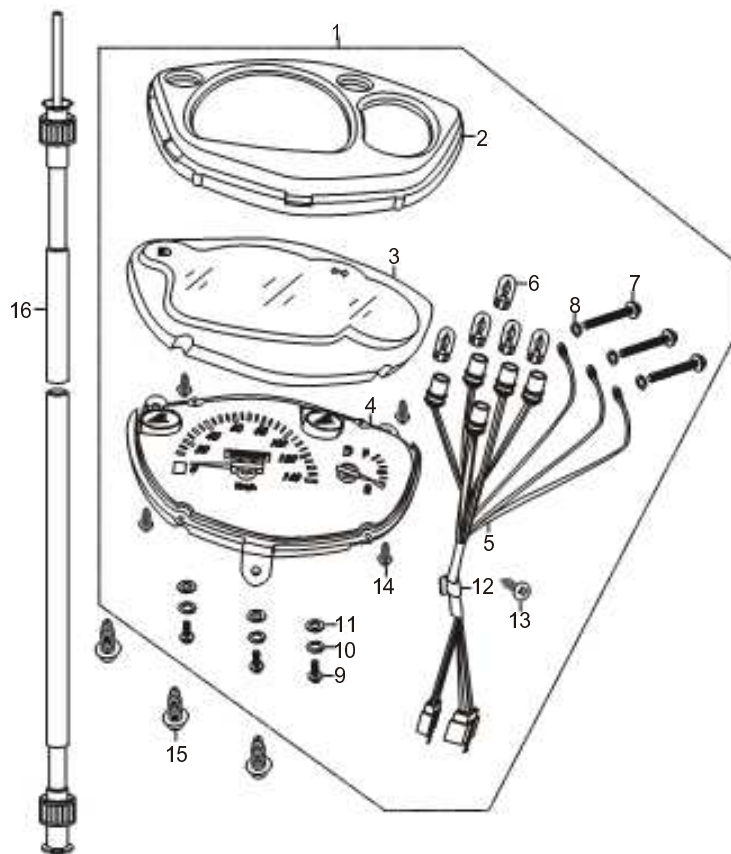
QM50T-10V

18
FIG.18

ПОДНОЖКИ

Ref.No.	Part No.	Description	Q'ty	Remarks
1	<u>42110QEK5000</u> QM50T-10E.41.1-00	Central stand comp.	1	
2	<u>42261QEDZ000</u> AG50	Axle, stand center	2	
3		Washer	1	
4		Pin	1	
5	<u>09443Q190002</u> AG50	Cushion	1	
6	<u>42221QAGZ000</u> QM50QT-6A	Spring, central stand	1	
7		Bush	1	
8		Bolt	1	
9	<u>42310QEKK000</u> QM125T-10V.81.1-00	Side stand comp.	1	
9A	<u>42310QEKK010</u> QM125T-10V(A).81.1-00	Side stand comp.	1	
10	QM150L-4B.41-01	Spring, side stand	1	
10A	QM125-10V.41-01	Spring, side stand	1	
11		Bolt, side stand M8x20	1	
12	QM125-10V	Inner Spring, side stand	1	
13	<u>09443Q090002</u> QM50QT-6(III).41-1	Inner Spring, central stand	1	
14	42356QLKK030	Mounting plate, side stand	1	

FIG.19



19

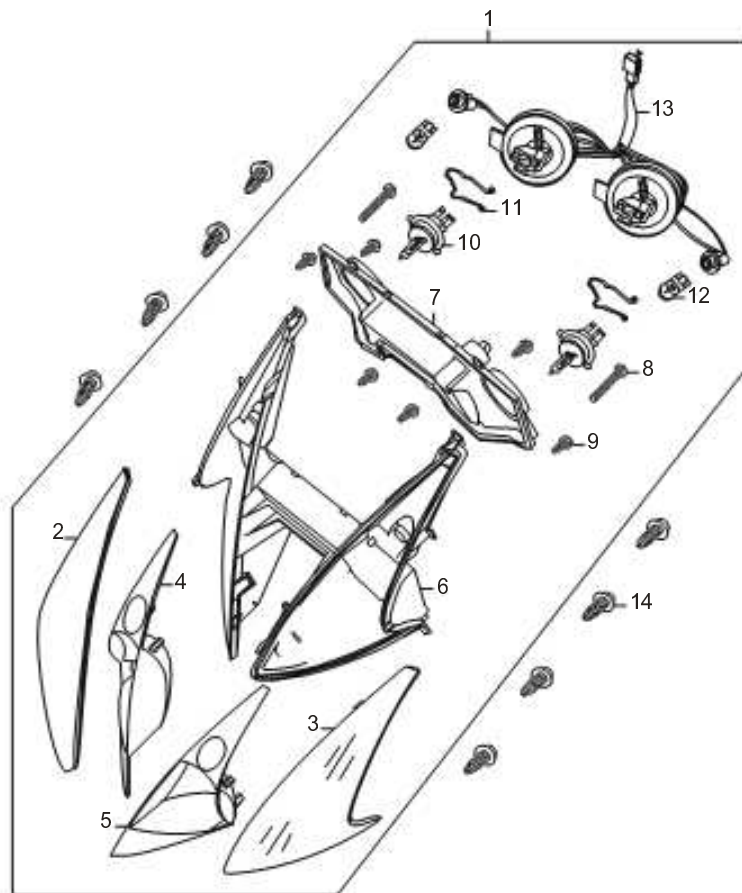
FIG.19

СПИДОМЕТР

Ref.No.	Part No.	Description	Q'ty	Remarks
1	<u>34102QED2000</u> QM125T-4B.64-00	Speedometer assy	1	
2		Case, upper	1	
3		Lens	1	
4		Case, lower	1	
5		Wiring harness, speedometer	1	
6	07112Q010101	Bulb 12V2W	5	
7		Screw	3	
8		Washer	3	
9		Screw	3	
10		Washer	3	
11		Washer	3	
12		Clip	1	
13		Screw	1	
14		Screw	4	
15	<u>04010Q051302</u> GB/T845-85	Screw ST4.8x13	3	
16	<u>34910QED4000</u> QM125T-4D.64.2-00	Cable assy, speedometer	1	

QM50T-10V

FIG.20



20

FIG.20

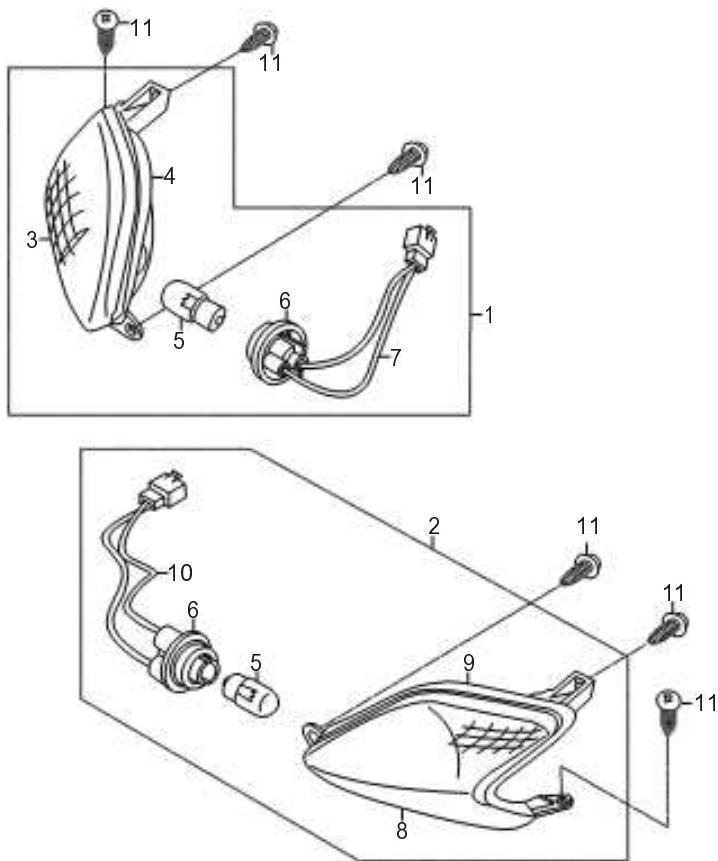
ΦAPA

Ref.No.	Part No.	Description	Q'ty	Remarks
1	<u>35100QEL2000</u> QM125T-11B.62.1-00	Headlamp assy	1	
2		Lens, headlamp RH	1	
3		Lens, headlamp LH	1	
4		Reflector, RH	1	
5		Reflector, LH	1	
6		Hood, head lamp	1	
7		Rear cover	1	
8		Adjust screw	2	
9		Screw ST3.9x10	6	
10	<u>07110Q003121</u>	Bulb HS1 12V35W/35W	1	
11		Clip, headlamp bulb	2	
12		Bulb, position	2	
13		Wire assy, light	1	
14	<u>04010Q0411602</u> GB845-85	Screw ST4.2x16	8	



QM50T-10V

FIG.21



21

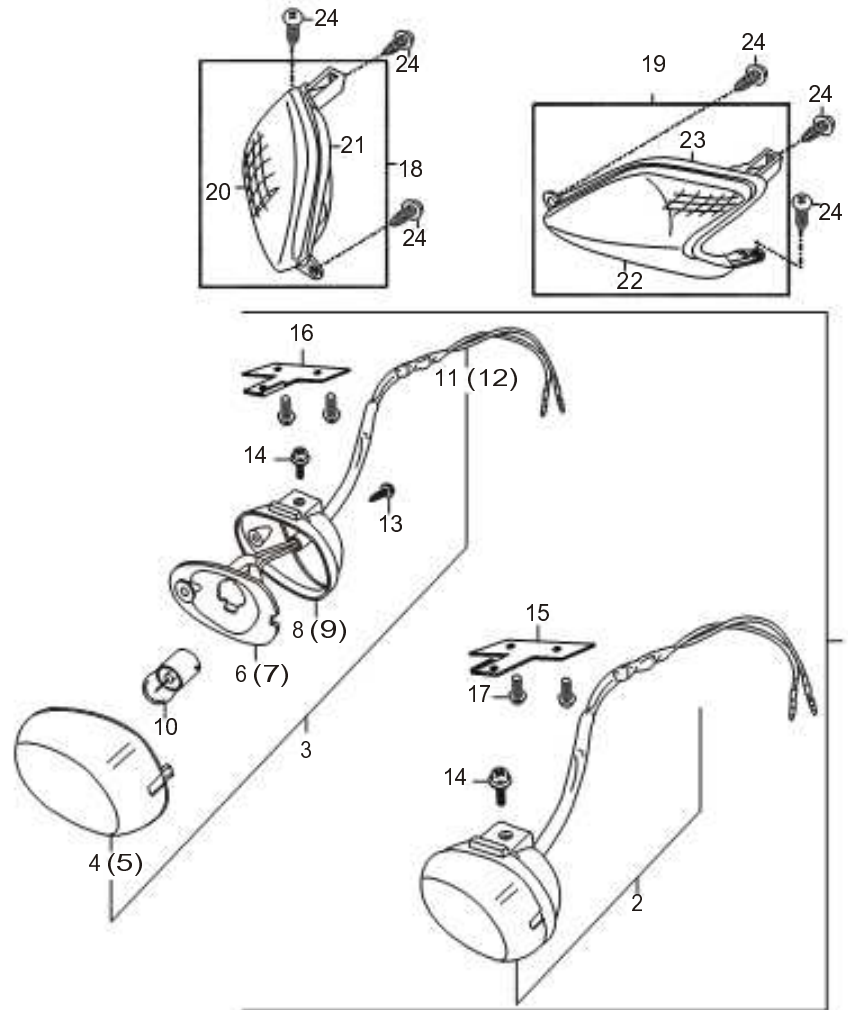
FIG.21

УКАЗАТЕЛИ ПОВОРОТОВ

Ref.No.	Part No.	Description	Q'ty	Remarks
1	<u>35601QEL2000</u> QM125T-11B.62.2-00	Front winker, RH	1	
2	<u>35602QEL2000</u> QM125T-11B.62.3-00	Front winker, LH	1	
3		Lens, front winker RH	1	
4		Body, front winker RH	1	
5		Bulb 12V10W	2	
6		Socket assy	2	
7		Wire assy, front winker RH	1	
8		Lens, front winker LH	1	
9		Body, front winker LH	1	
10		Wire assy, front winker LH	1	
11	<u>04010Q051302</u> GB845-85	Screw ST4.8x13	6	

QM50T-10V

FIG.21A
(Option)



QM50T-10V

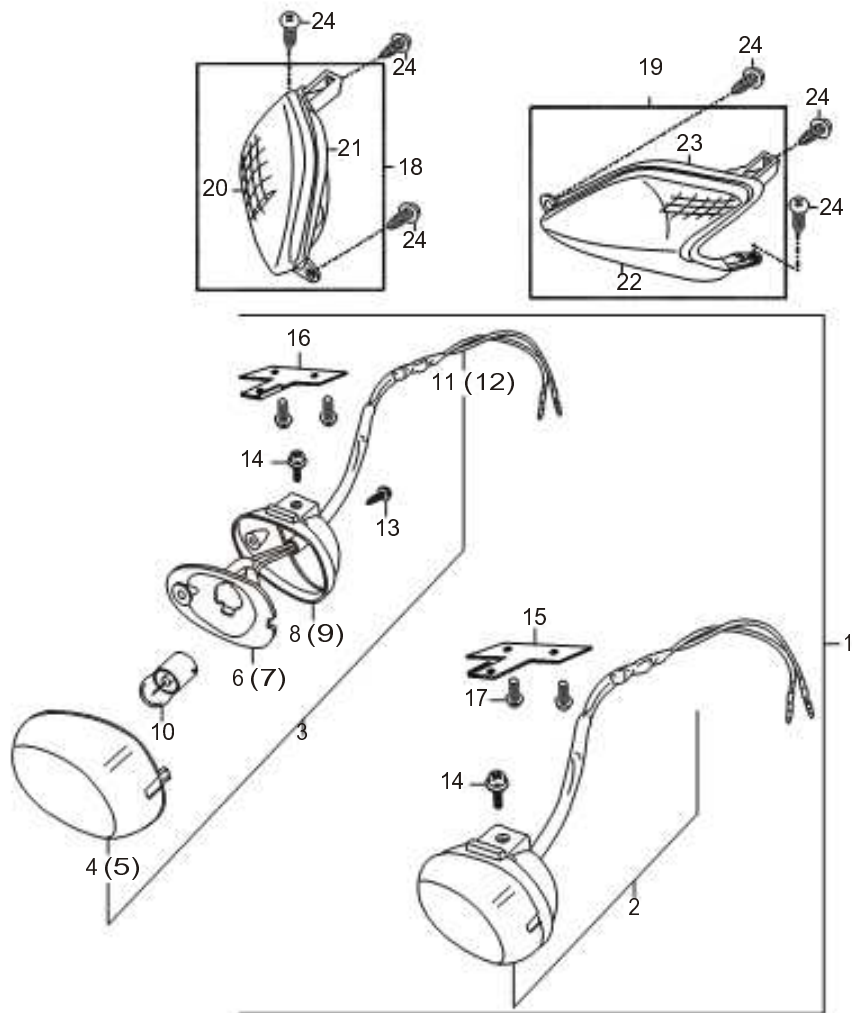
21A

FIG.21A

УКАЗАТЕЛИ ПОВОРОТОВ

Ref.No.	Part No.	Description	Q'ty	Remarks
1	QM125T-10E.69-00 35601QEK5000	Front winker assy	1	
2	QM125T-10E.69.1-00 35602QEK5000	Front winker assy, LH	1	
3	QM125T-10E.69.2-00	Front winker assy RH	1	
4		Lens, front winker LH	1	
5		Lens, front winker RH	1	
6		Socket assy, front winker LH	1	
7		Socket assy, front winker RH	1	
8		Body, front winker LH	1	
9		Body, front winker RH	1	
10		Bulb	2	
11		Wire assy, front winker LH	1	
12		Wire assy, front winker RH	1	
13		Screw M5x12	2	
14	GB9074.3-88	Screw M5x12	2	
15	35623QEKK010 QM125T-10V.62.2-2	Bracket, front winker RH	1	
16	35643QEKK010 QM125T-10V.62.2-1	Bracket, front winker LH	1	
17		Screw M5x12	4	
18		Front winker, RH	1	
19		Front winker, LH	1	
20		Lens, front winker RH	1	

FIG.21A
(Option)



QM50T-10V

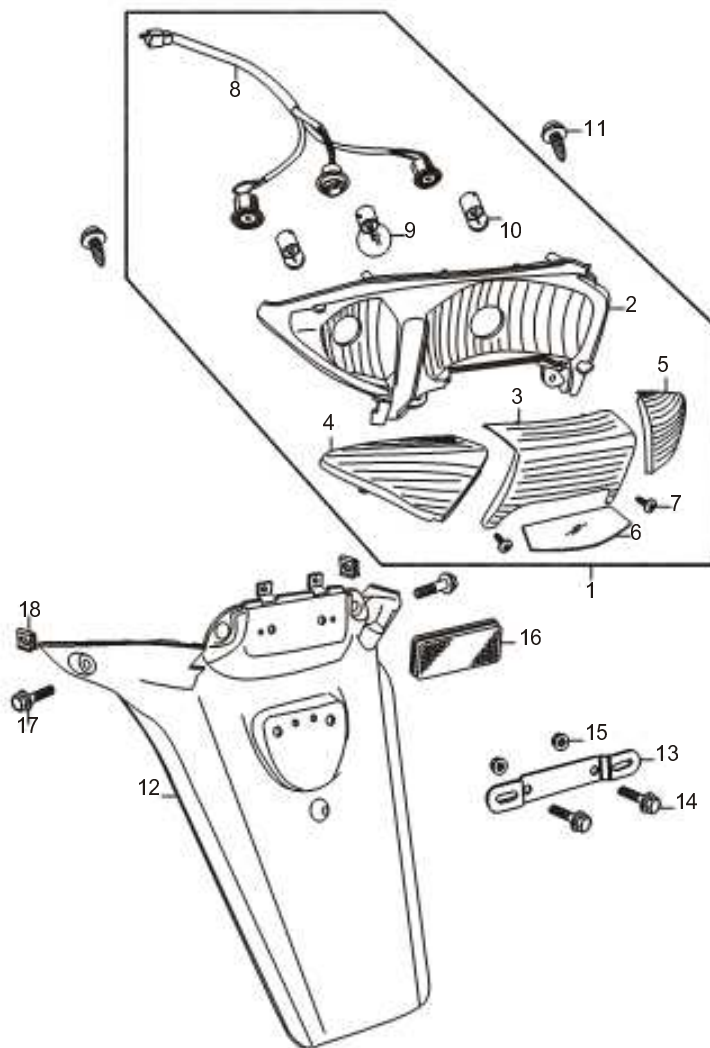
21A

FIG.21A

УКАЗАТЕЛИ ПОВОРОТОВ

Ref.No.	Part No.	Description	Q'ty	Remarks
21		Body, front winker RH	1	
22		Lens, front winker LH	1	
23		Body, front winker LH	1	
24	04010Q051302 GB845-85	Screw ST4.8x13	6	

FIG.22



QM50T-10V

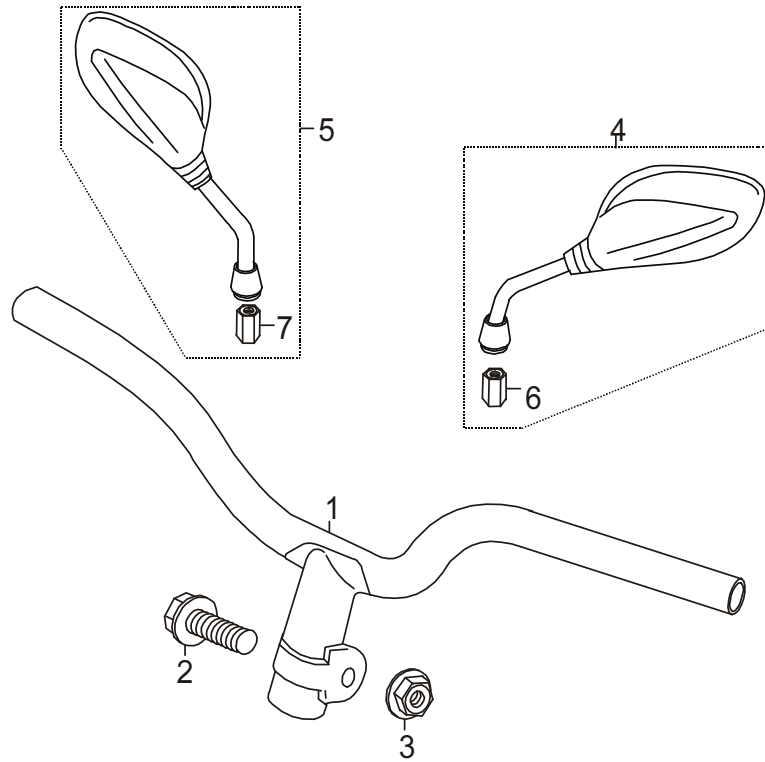
22

FIG.22

ФОНАРЬ ЗАДНИЙ

Ref.No.	Part No.	Description	Q'ty	Remarks
1	35700QEL2000 QMI25T-11B.62.4-00	Tail lamp assy	1	
2		Body, tail lamp	1	
3		Lens, tail lamp	1	
4		Lens, rear winker, LH	1	
5		Lens, rear winker, RH	1	
6		Lens, license plate lamp	1	
7		Screw, tapping	2	
8		Wire assy, tail lamp	1	
9	07110Q007121	Bulb, tail lamp P21/5W	2	
10	07110Q009121	Bulb, rear winker R10W	2	
11	04010Q051302 GB845-85	Screw ST4.8x13	2	
12	63111QEL2000 QMI25T-11B.38-01	Rear fender	1	
13	96702QED2000 QMI25T-4B.99.2-00	Bracket, license plate	1	
14	02104Q060162 GB/T16674	Flange bolt M6x16	2	
15	05404Q012062 GB6177.1-2000	Flange nut M6	2	
16	35970QED2000 QMI25T-4B.74.1-00	Reflector, rear	1	
17	02104Q060122 GB/T16674	Flange bolt M6x12	2	
18		Clip	2	

FIG.23



23

FIG23

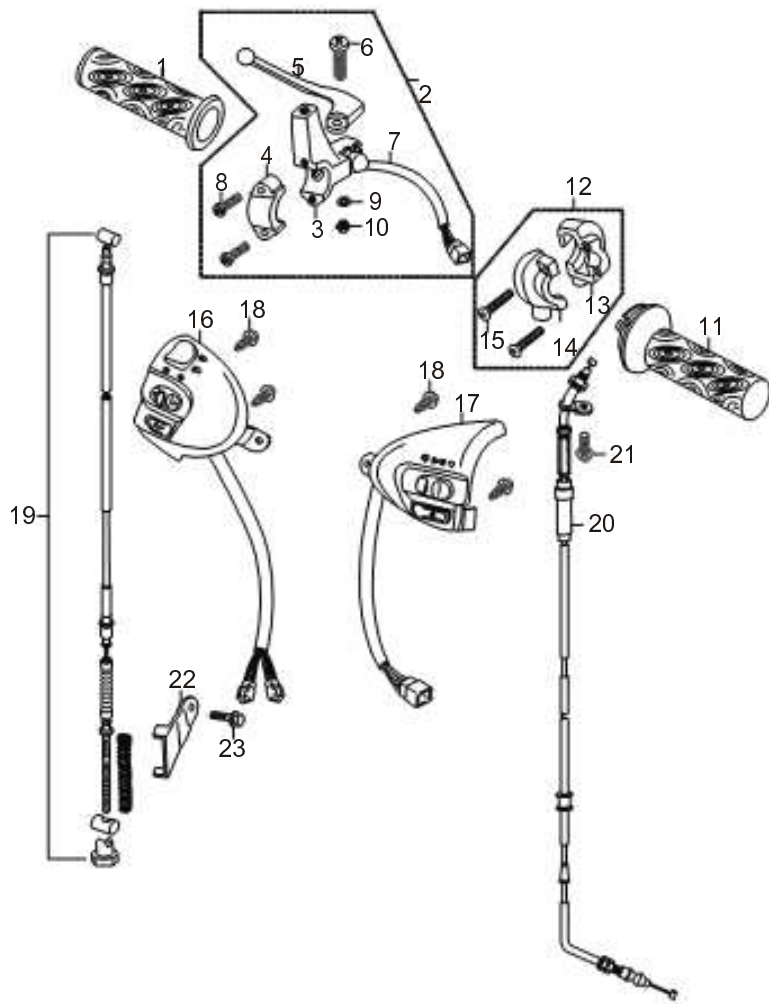
ПУЛБ

Ref.No.	Part No.	Description	Q'ty	Remarks
1	<u>56110EKK000</u> QM125T-10V.32.1-00	Handlebar assy	1	
2	<u>02104Q100501</u> GB/T16674.1-2004	Bolt M10x1.25x50	1	
3	<u>05409Q091101</u> GB/T6187.2-2000	Nut M10x1.25	1	
4	<u>56501OEKK000</u> QM125T-10V. 32.4-00	Mirror assy., RH	1	
5	<u>56601OEKK000</u> QM125T-10V. 32.5-00	Mirror assy, LH	1	
6		Nut	1	
7		Nut	1	



QM50T-10V

FIG.24



QM50T-10V

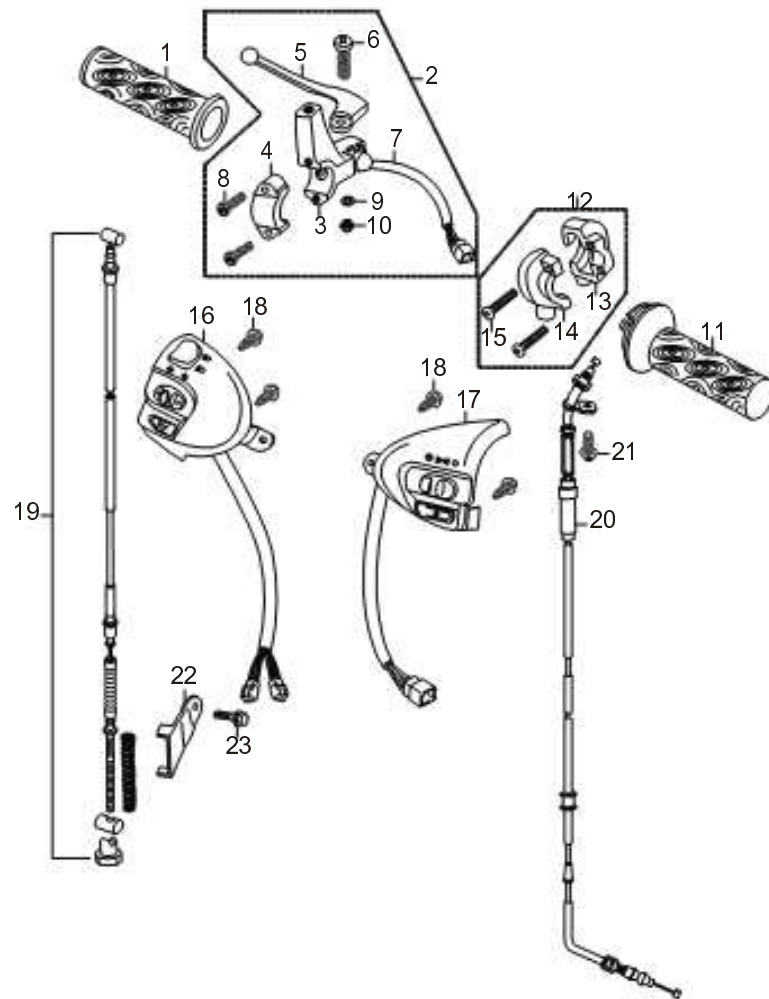
24

FIG.24

ПЕРЕКЛЮЧАТЕЛИ РУЛЕВЫЕ

Ref No	Part No	Description	Q'ty	Remarks
1	<u>572110EA7000</u> QM125T-G.32-1	Grip, left	1	
2	<u>57500QED2000</u> QM125T-4B.32.2-00	Bracket assy, handle LH	1	
3		Bracket, handle LH	1	
4		Band handle bracket, LH	1	
5		Lever, rear brake	1	
6		Screw	1	
7		Switch assy, stop lamp	1	
8		Screw	2	
9		Washer	1	
10		Nut	1	
11	<u>57110QEA7000</u> QM125T-G.32.2-00	Grip, throttle	1	
12	<u>57120QED2400</u> QM125T-4B.32.6-00	Case assy, throttle	1	
13		Upper case, throttle	1	
14		Lower case, throttle	1	
15		Screw	2	
16	<u>37400QEEK000</u> QM125T-10V.66.2-00	Switch assy, handle LH	1	
17	<u>37200QEEK000</u> QM125T-10V.66.1-00	Switch assy, handle RH	1	
18	<u>04010Q051302</u> GB845-85	Screw ST4.8x13	4	
19	<u>58500QAKK000</u> QM50T-10V.32.4-00	Cable assy, rear brake	1	
20	<u>58300QAKK000</u> QM50T-10V.32.3-00	Cable assy, throttle	1	

FIG.24



24

FIG.24

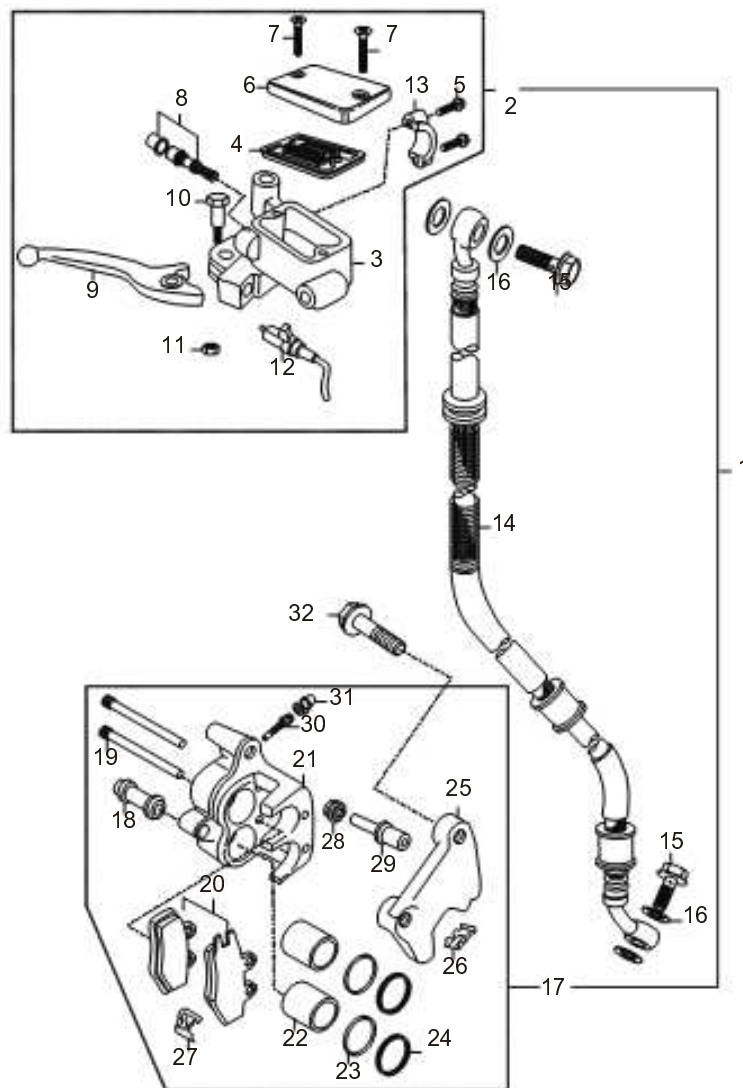
ПЕРЕКЛЮЧАТЕЛИ РУЛЕВЫЕ

Ref.No.	Part No.	Description	Q'ty	Remarks
	<u>03411Q150121</u>			
21		Screw M5x12	1	
22	<u>GB/T9074.1-2002</u>	Board, rear brake	1	
	<u>02104Q060122</u>			
23	<u>GB/T16674</u>	Bolt M6x12	1	



QM50T-10V

FIG.25



QM50T-10V

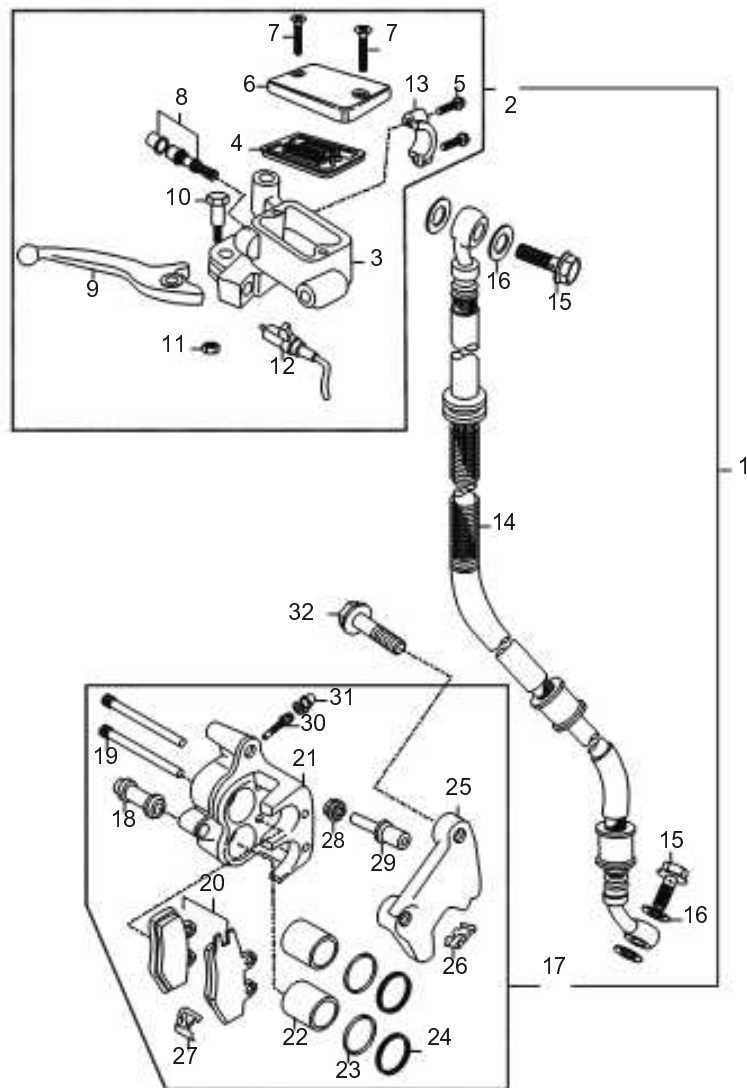
25

FIG.25

ПЕРЕДНИЙ ТОРМОЗ

Ref.No.	Part No.	Description	Q'ty	Remarks
1	59000QEKK000 QM125T-10V.83-00	Disk brake assy	1	
2	59100QEKK000 QM125T-10V.83.1-00	Master cylinder assy	1	
3		Reservoir	1	
4		Diaphragm	1	
5		Bolt M6x25	2	
6		Cap, reservoir	1	
7		Screw	2	
8		Piston set	1	
9		Lever, front brake	1	
10		Bolt	1	
11		Nut M6	1	
12		Switch assy, stop lamp	1	
13		Bracket, master cylinder	1	
14		Hose assy, front brake	1	
15		Bolt M10x24	2	
16		Seal ring	4	
17	59600QED2000 QM125T-4B.83.2-00	Brake caliper assy	1	
18		Long bush	1	
19		Pin, slide	2	
20		Pad assy	2	

FIG.25



QM50T-10V

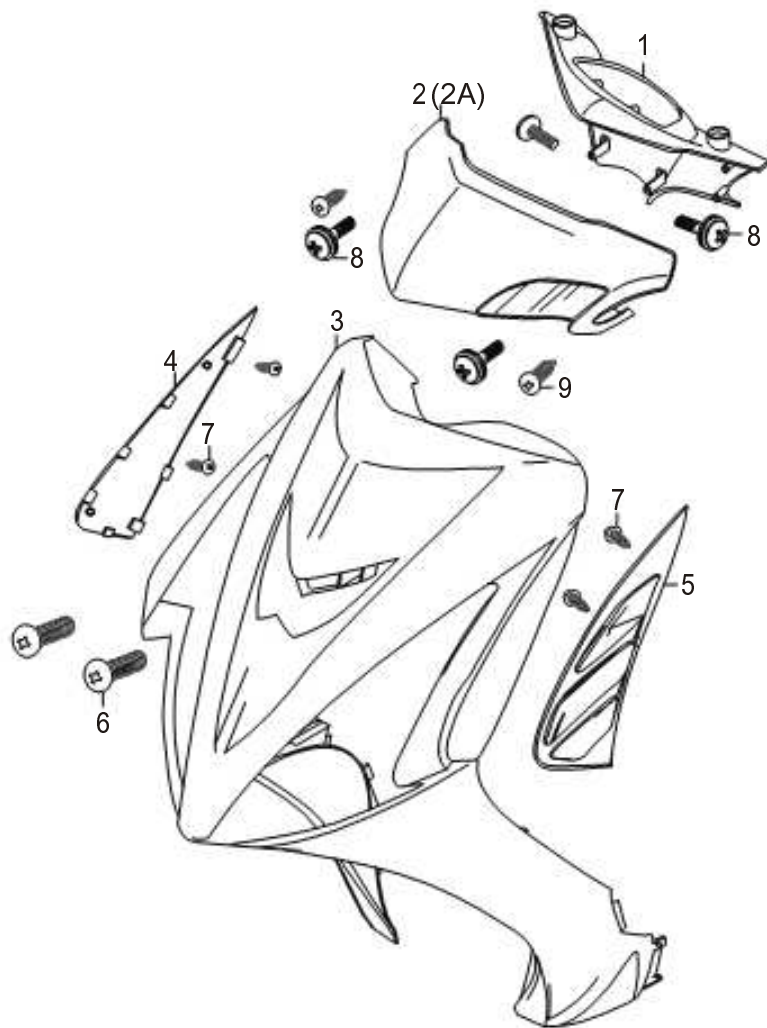
25

FIG.25

ПЕРЕДНИЙ ТОРМОЗ

Ref.No.	Part No.	Description	Q'ty	Remarks
21		Pump body	1	
22		Piston set	2	
23		Oil seal	2	
24		Dust ring	2	
25		Carrier set, calipers	1	
26		Support pad	1	
27		Support pad	1	
28		Cap, bush	1	
29		Pin, guide	1	
30		Bleeder	1	
31		Cap, bleeder	1	
32		Bolt	2	

FIG.26



QM50T-10V

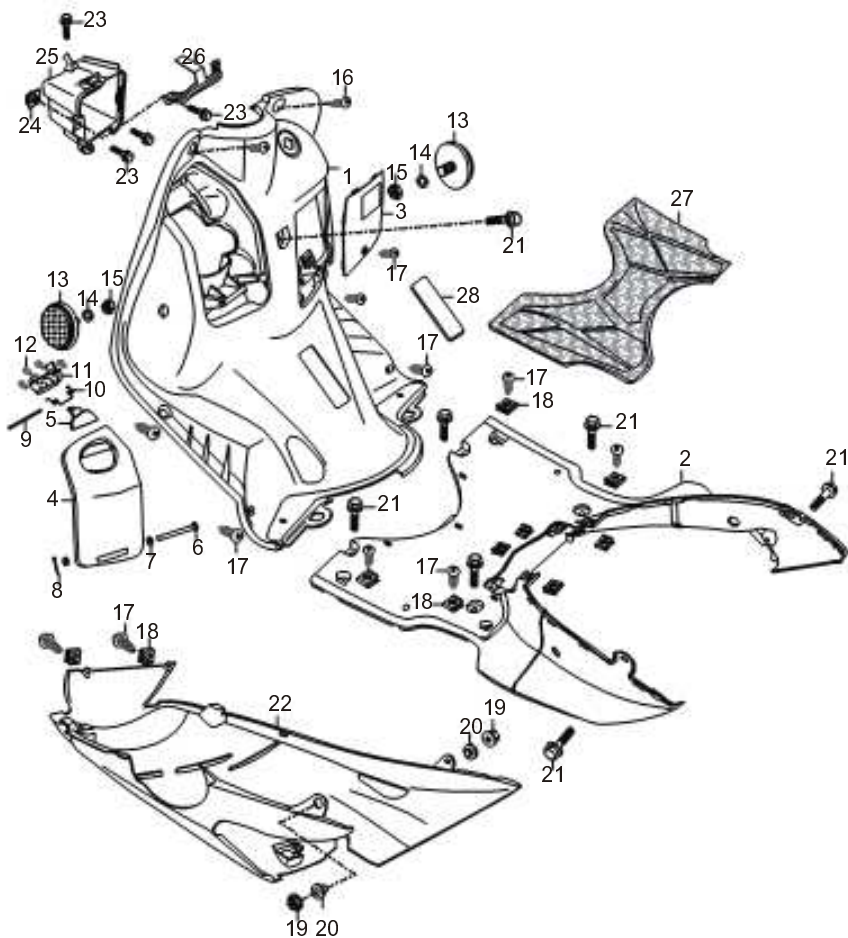
26

FIG.26

ПЕРЕДНИЙ ПЛАСТИК

Ref.No.	Part No.	Description	Q'ty	Remarks
1	<u>56321QEL2000</u> QM125T-11B.46-03	Cover, handle front	1	
2	<u>56311QEL2000</u> QM125T-11B.46-02	Cover, handle rear	1	
2A	563111QEL2010	Cover, handle rear	1	
3	<u>48111QEL2000</u> QM125T-11B.46-01	Front cover	1	
4	<u>48411QEL2000</u> QM125T-11B.46-10	Side cover, RH	1	
5	<u>48421QEL2000</u> QM125T-11B.46-04	Side cover, LH	1	
6	GB/T974	Screw M6x16	2	
7	<u>04010Q051302</u> GB845-85	Screw ST4.8x13	4	
8		Screw M5x12	4	
9	<u>04010Q051302</u> GB845-85	Screw ST4.8x13	2	

FIG.27



QM50T-10V

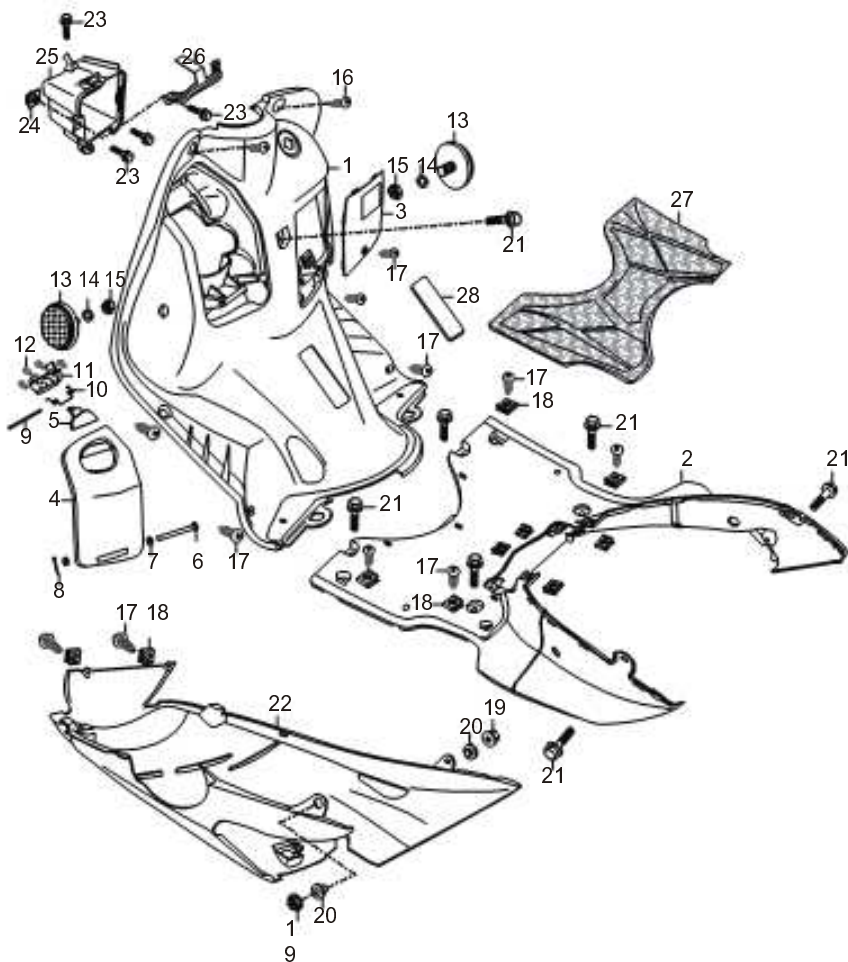
27

FIG.27

ВНУТРЕННИЙ ПЛАСТИК

Ref.No	Part No.	Description	Q'ty	Remarks
1	92111QED2000 QM125T-4B.46-15	Leg shield, front	1	
2	48121QEL2000 QM125T-11B.46-05 33642QED2000	Panel comp, floor	1	
3	QM125T-4B.46-19	Lids, battery case	1	
4	47313QED2000 QM125T-4B.46-10 47314QED2000	Lids, fuel tank	1	
5	QM125T-4B.46-11	Hook, fuel tank lid	1	
6	09200Q050001 QM125T-4B.46-26	Shaft, fuel tank d5x80	1	
7	09320Q050004 QM125T-4B.46-27	Cushion	2	
8	04411Q022501 GB91-86	Pin 2x25	1	
9	09202Q030002 QM125T-4B.46-28	Shaft, hook d3x50	1	
10	47315QED2000 QM125T-4B.46-29	Spring, returning	1	
11	QM125T-4B.46-23	Catching plate, hook	1	
12	04010Q030952 GB845-85	Screw ST3.9x9.5	4	
13	35901QEDZ000 QM125T-4.78.1-00	Reflector, side	2	
14	05420Q011061 GB/T95-2002	Washer 6	2	
15	05401Q011061 GB/T6170-2000	Nut M6	2	
16	04010Q041302 GB845-85	Screw ST4.2x13	4	
17	04010Q051302 GB845-85	Screw ST4.8x13	13	
18	09148Q040001	Spring plate nut	13	
19	05409Q091064 GB/T6187.2-2000	Nut M6	2	
20	09169Q060002 QM50T-7.37-2	Bush	2	

FIG.27



27

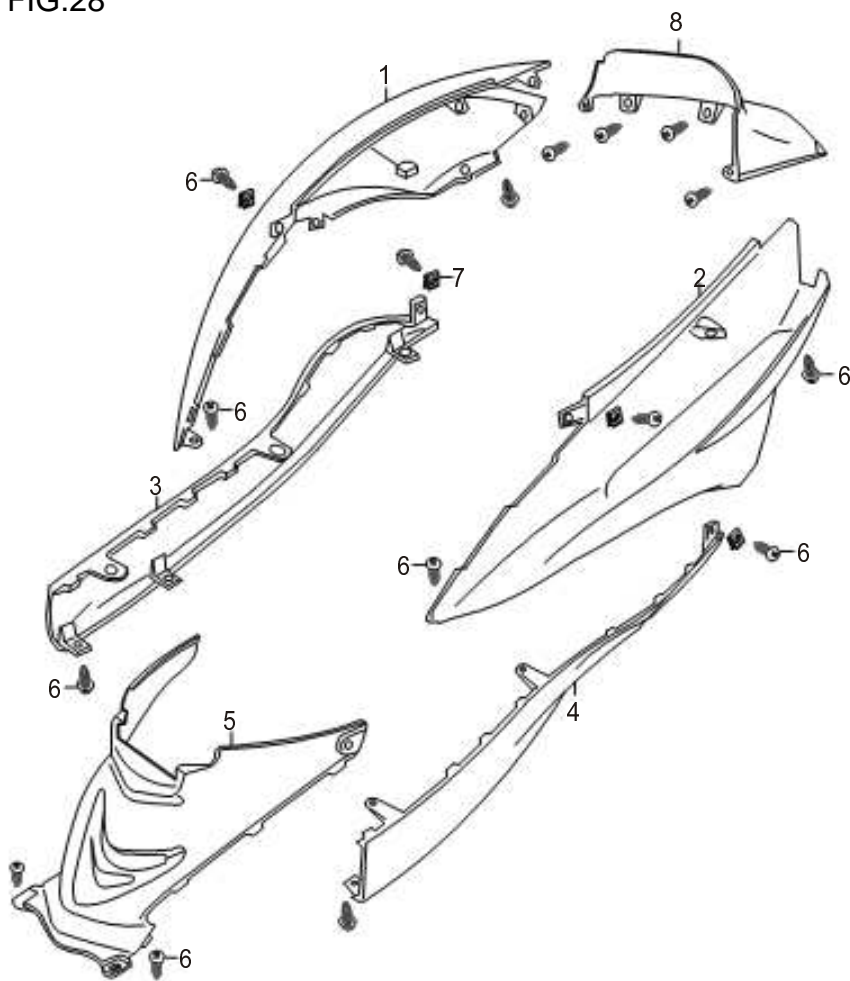
FIG.27

ВНУТРЕННИЙ ПЛАСТИК

Ref.No	Part No.	Description	Q'ty	Remarks
21	<u>02104Q060202</u> GB/T16674	Flange bolt M6x20	7	
22	<u>48138QEL2000</u> <u>QM125T-11B.46-14</u>	Cover, under	1	
23	<u>02104Q060122</u> GB/T16674	Flange bolt M6x12	4	
24		Fixed nut	1	
25	<u>33641QED2000</u> <u>QM125T-4B.46-18</u>	Case, battery	1	
26	<u>41501QED2000</u> <u>QM125T-4B.46-30</u>	Bracket, battery	1	
27	<u>43551QEL2000</u> <u>QM125T-11B.46-11</u>	Mat, floor	1	
28	<u>92121QEL2000</u> <u>QM125T-11B.46-15</u>	Inspection cover, frame number	1	

QM50T-10V

FIG.28



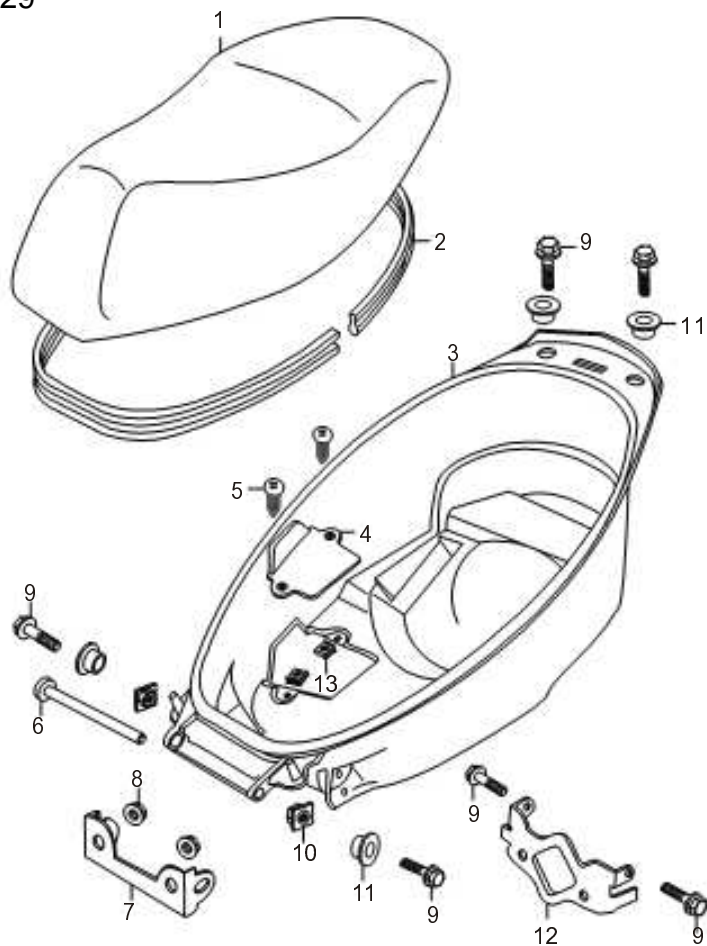
QM50T-10V

28
FIG.28

БОКОВОЙ ПЛАСТИК

Ref.No	Part No.	Description	Q'ty	Remarks
1	<u>47111OEL2000</u> QM125T-11B.46-09	Side cover, RH	1	
2	<u>47211OEL2000</u> QM125T-11B.46-08	Side cover, LH	1	
3	<u>47131OEL2000</u> QM125T-11B.46-07	Lower cover, RH	1	
4	<u>47231OEL2000</u> QM125T-11B.46-06	Lower cover, LH	1	
5	<u>48141OED2000</u> QM125T-4B.46-17	Cover, center	1	
6	<u>04010Q051302</u> GB845-85	Screw ST4.8x13	16	
7	09148Q040001	Spring plate nut ST4.2	4	
8	<u>47321OEL2000</u> QM125T-11B.46-13	Rear cover	1	

FIG.29



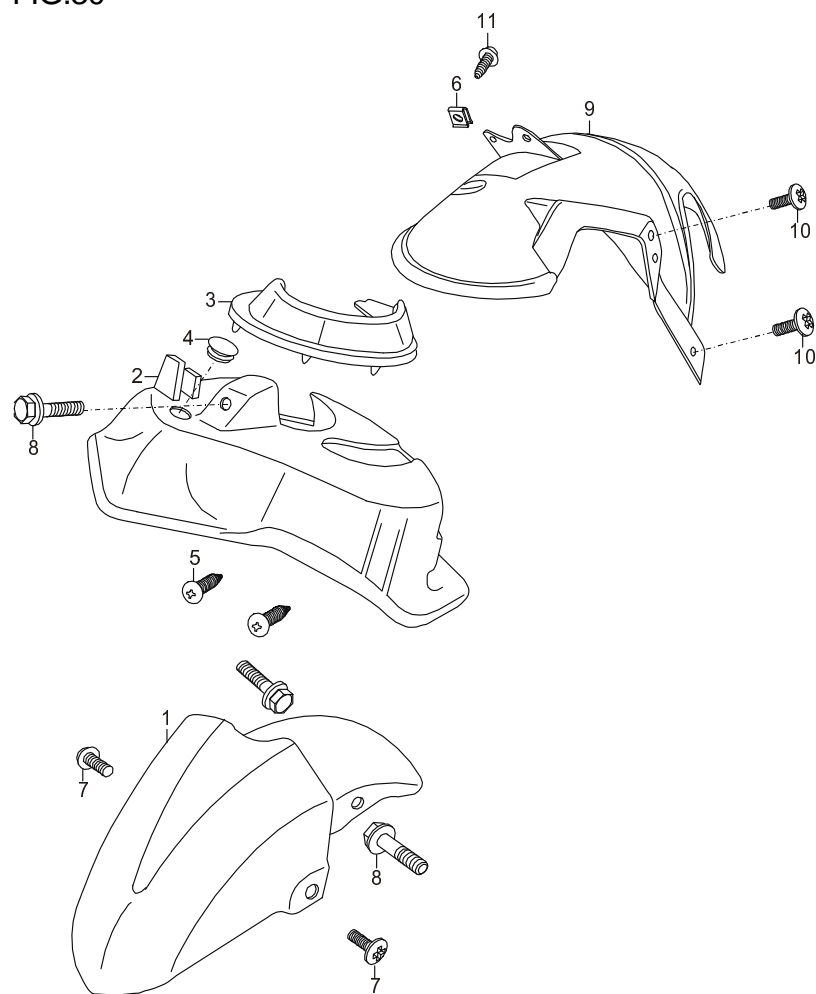
QM50T-10V

29
FIG.29

СИДУШКА

Ref.No	Part No.	Description	Q'ty	Remarks
1	<u>45101OED2000</u> QM125T-4B.36.1-00	Seat comp	1	
2		Cushion	1	
3	<u>92211OED2000</u> QM125T-4B.46-8	Helmet box assy	1	
4	<u>92212OED2000</u> QM125T-4B.46-9	Inspection lid, carburetor	1	
5	<u>04010Q051302</u> GB845-85	Screw ST4.8x13	2	
6	<u>45273QED2000</u> QM125T-4B.36-08	Pivot, seat front	1	
7	<u>45271OED2000</u> QM125T-4B.36-07	Bracket, seat front	1	
8	<u>05404Q012062</u> GB6177.1-2000	Flange nut M6	2	
9	<u>02104Q060122</u> GB/T16674	Flange bolt M6x12	6	
10		Fixed nut M6	2	
11	<u>09169Q060002</u> QM50T-7.37-2	Washer	4	
12	<u>44370QED2000</u> QM125T-4B.44.3.2-00	Bracket, fuel pump	1	
13	<u>09148Q040001</u>	Spring plate nut ST4.2	2	

FIG.30



QM50T-10V

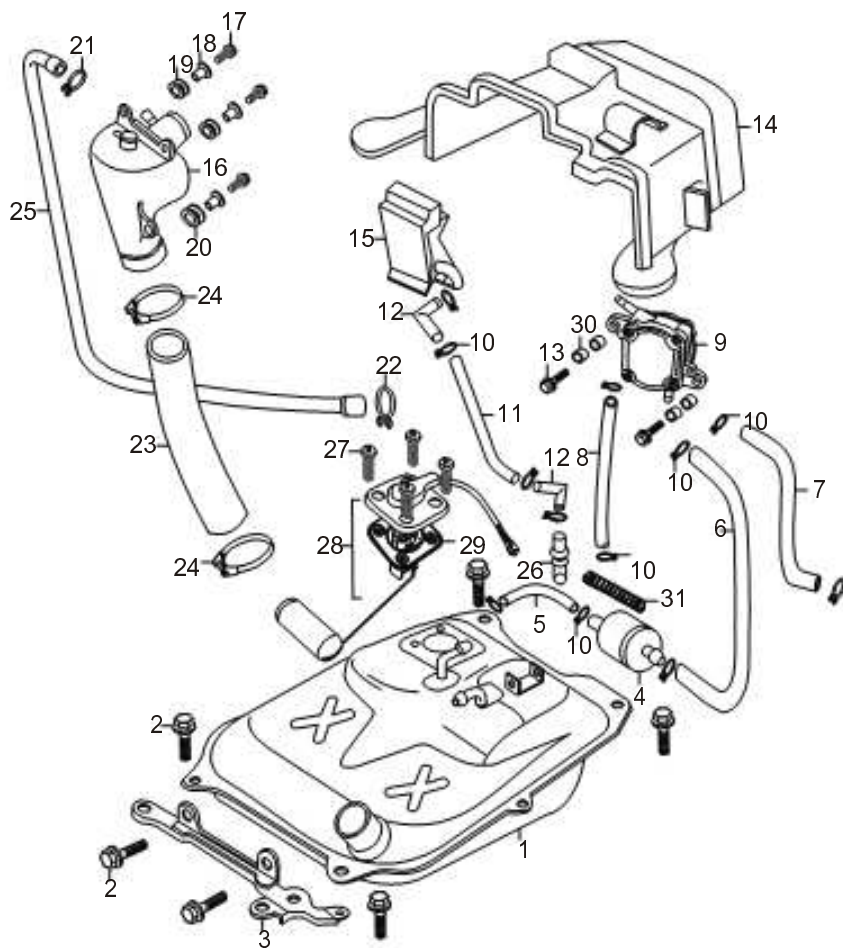
30

FIG.30

КРЫЛО ПЕРЕДНЕЕ

Ref.No	Part No.	Description	Q'ty	Remarks
1	<u>53111QED2000</u> QM125T-4B.37-01	Front fender	1	
2	<u>48127QED2000</u> QM125T-4B.46-4	Fender, frame	1	
3	<u>53117QED2000</u> QM125T-4B.46-5	Cover, fender	1	
4	<u>09250Q200001</u> QM125T-4B.46-24	Lids, checking hole d30	1	
5	<u>04010Q051302</u> GB845-85	Screw ST4.8x13	2	
6	<u>09148Q040001</u>	Spring plate nut ST4.2	1	
7	<u>03411Q060161</u> GB/T818-2000	Screw M6x16	2	
8	<u>02104Q060122</u> GB/T16674	Flange bolt M6x12	3	
9		Rear fender, rear wheel	1	
10	<u>03411Q060165</u> GB/T818-2000	Screw M6x16	2	
11	<u>04010Q041302</u> GB845-85	Screw ST4.2x13	1	

FIG.31



QM50T-10V

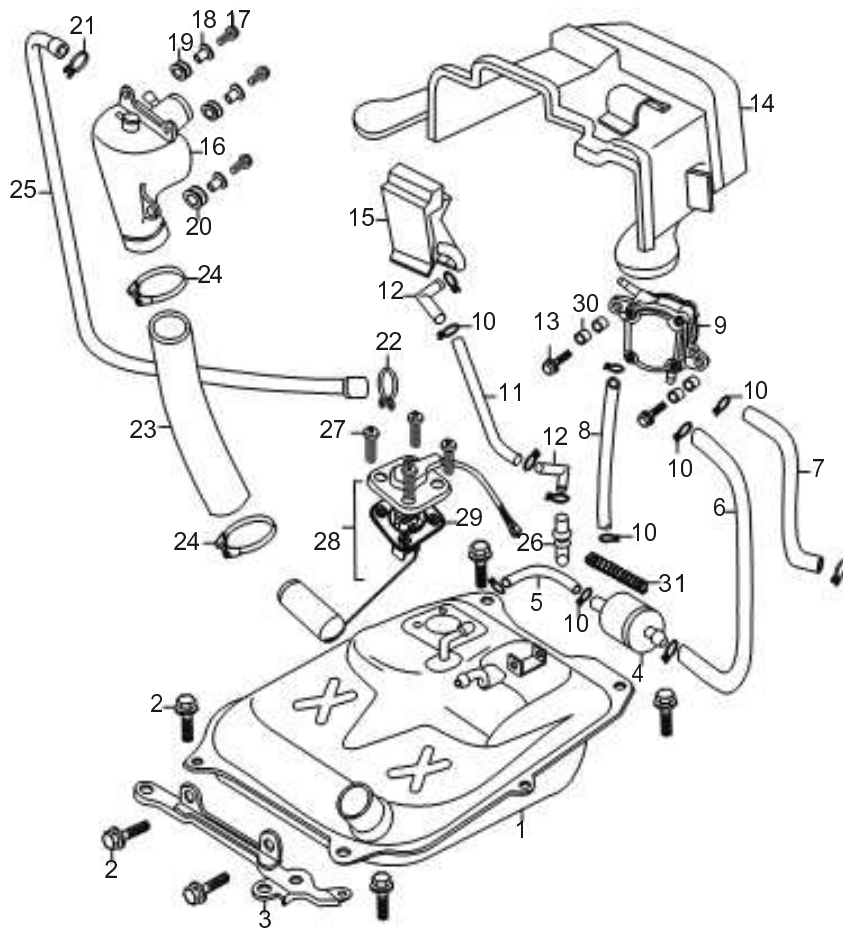
31

FIG.31

БЕНЗОБАК

Ref.No.	Part No.	Description	Q'ty	Remarks
1	44110QED2000 QM125T-4B.44.1-00	Fuel tank comp	1	
2	02104Q060162 GB/T16674	Flange bolt M6x16	6	
3	44160QED2000 QM125T-4B.30.6-00	Bracket assy	1	
4	44360QKMZ000 QM100-12.44.3-00	Filter, fuel	1	
5	44411QED2000 QM125T-4B.44-08	Pipe, fuel d5xd8x120	1	
6	44412QED2000 QM125T-4B.44-09	Pipe II, fuel d5xd8x450		
7	44424QEDZ000 QM125T-4.44.3-1	Pipe d5x720	1	
8	44425QED2000 QM125T-4B.44-11	Hose, vacuum d5xd8x480	1	
9	44300QAKK000	Fuel pump	1	
10	QM50T-10V.44.1-00 QS90.44-5	Clip	12	
11	QM125T-4B.44-15	Pipe, overflow	1	
12	09367Q060001 QM125T-4B.44-06	Connector	2	
13	GB/T5783-2000	Bolt M6x30	2	
14	QM125T-4B.44-01	Cover, fuel tank	1	
15	44261QED2000	Cap, filler	1	
16	QM125T-4B.44-02	Cap, refueling	1	
17	02104Q060252 GB/T16674	Flange bolt M6x25	3	
18	09180Q060001 QM125-2.60-3	Spacer	3	
19	09320Q100003 QM125T-4B.44-04	Cushion	2	
20	09320Q100004 QM125T-4B.44-05	Cushion	1	

FIG.31



QM50T-10V

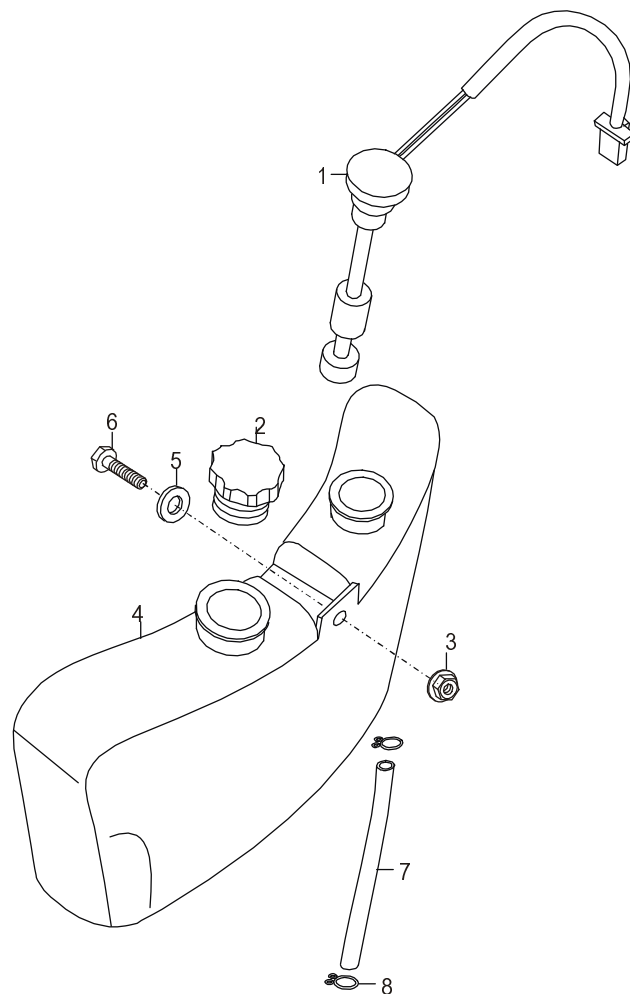
31

FIG.31

БЕНЗОБАК

Ref.No	Part No.	Description	Q'ty	Remarks
21	QM125T-4B.44-13	Clip d16	1	
22	09401Q193004 QM125T-4B.44-12	Clip d19	1	
23	QM125T-4B.44-03	Pipe	1	
24	44481QED2000 QM125T-4B.44-07 44441QED2000	Clamp 35-51	2	
25	QM125T-4B.44-10	Pipe	1	
26	QM125T-4B.44-14	Connector	1	
27	03411Q050161 GB/T818-2000 34800QED2000	Screw M5x16	4	
28	QM125T-4B.77-00	Gauge assy, fuel tank	1	
29		Gasket	1	
30	09180Q060001	Bush	4	
31		Spring, hose	1	

FIG.32



QM50T-10V

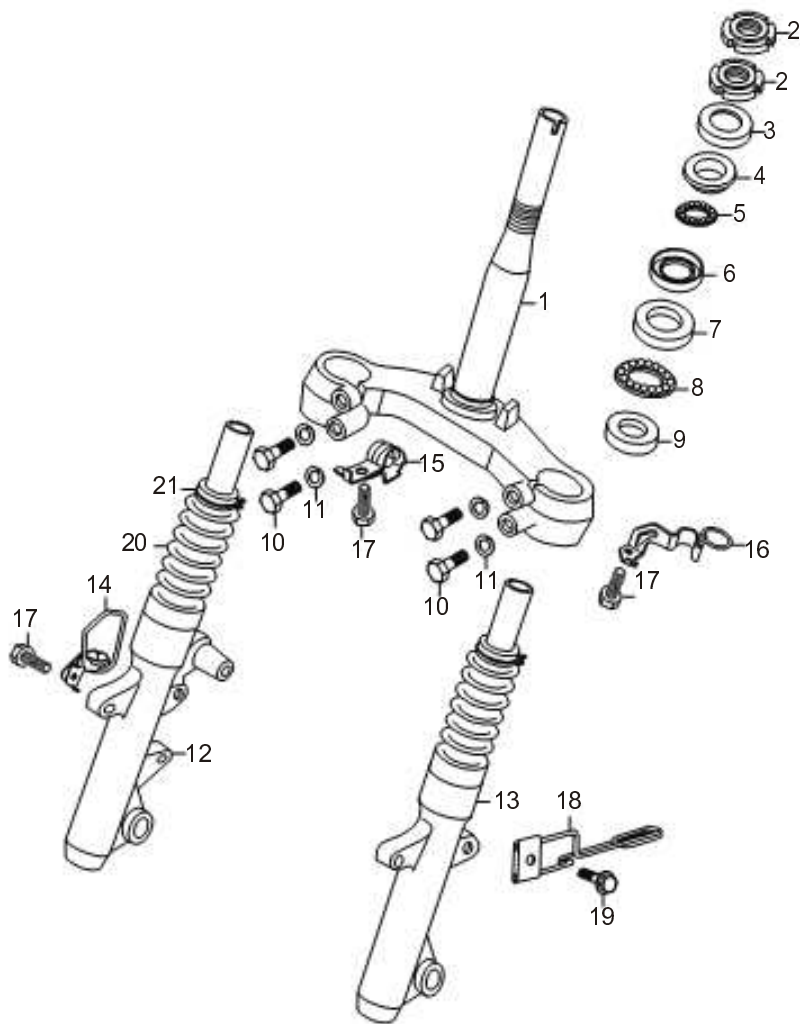
32

FIG.32

МАСЛЯНЫЙ БАК

Ref.No.	Part No.	Description	Q'ty	Remarks
1	<u>37880QACC000</u> QM50QT-3M.77.2-00	Gauge assy, oil tank	1	
2	<u>44651QACC000</u> QM50QT-3M.45-02	Plug, oil tank	1	
3	<u>05404Q011061</u> GB/6177.1-2000	Nut M6	1	
4	<u>44611QACC000</u> QM50QT-3M.45-01	Oil tank	1	
5	<u>05420Q052061</u> GB96-85	Washer 6	1	
6	<u>01614Q060121</u> GB5783-86	Bolt M6x12	1	
7		Hose, oil	1	
8		Clip	2	

FIG.33



QM50T-10V

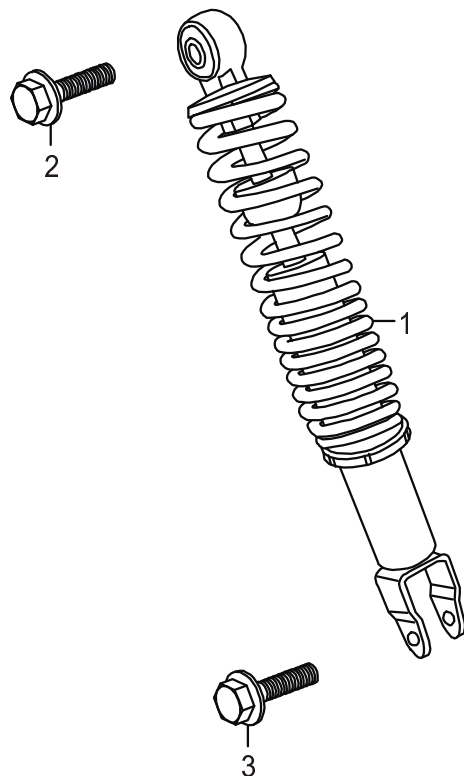
33

FIG.33

ПЕРЕДНЯЯ ВИЛКА

Ref.No.	Part No.	Description	Q'ty	Remarks
1	51410QED2000 QM125T-4B.3I.1-00	Steering stem	1	
2	51631QAFZ000 AG50.3I-1	Nut M25, steering stem	2	
3	51643QEDZ000 QM125T-4.3I-14	Cover	1	
4	51621QED2000 QM125T-4B.3I-01	Steering ball race, upper, outer	1	
5	51650QED2000 QM125T-4B.3I.4-00	Ball bearing, upper	1	
6	51611QED2000 QM125T-4B.3I-02	Steering ball race, upper, inner	1	
7	51612QED2000 QM125T-4B.3I-04	Steering ball race, lower, inner	1	
8	51660QED2000 QM125T-4B.3I.5-00	Ball bearing, lower	1	
9	51622QED2000 QM125T-4B.3I.1-4	Steering ball race, lower, outer	1	
10	01601Q100302 GB/T5783-2000	Bolt M10x30x1.25	4	
11		Spring washer	4	
12	51103QED2000 QM125T-4B.3I.3-00	Fork, RH	1	
13	51104QED2000 QM125T-4B.3I.2-00	Fork, LH	1	
14	59470QED2000 QM125T-4B.3I.7-00	Clip I, tube	1	
15	59468QED2000 QM125T-4B.3I-05	Clip II, tube	1	
16	59440QED2000 QM125T-4B.3I.6-00	Clip III, tube	1	
17	01301Q060161 GB/T5780-2000	Bolt M6x16	3	
18	51450QED4000 QM125T-4D.3I.4-00	Clamp assy, speedometer cable	1	
19	02104Q060162 GB/T16674	Flange bolt M6x16	1	
20		Dust cover	2	
21		Circlip	2	

FIG.34



34

FIG.34

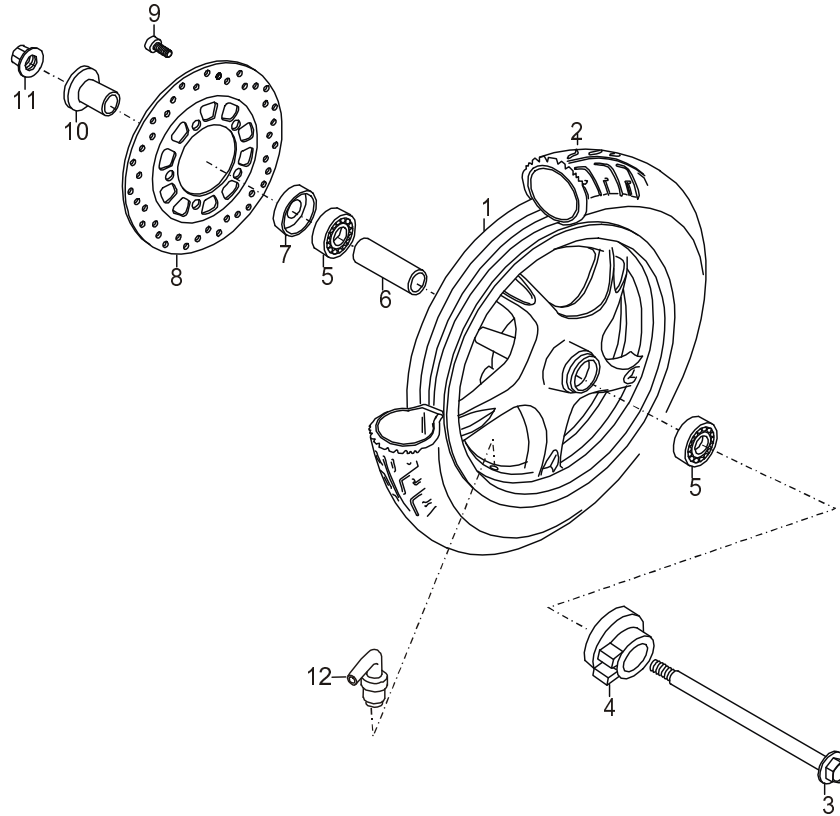
ЗАДНИЙ АММОТИЗАТОР

Ref.No.	Part No.	Description	Q'ty	Remarks
1	<u>62100OACC000</u> QM50QT-3M.35.1-00	Rear shock absorber comp.	1	
2	GB9074.15-88	Flange bolt M10x45	1	
3	GB9074.15-88	Flange bolt M10x30	1	



QM50T-10V

FIG.35



QM50T-10V

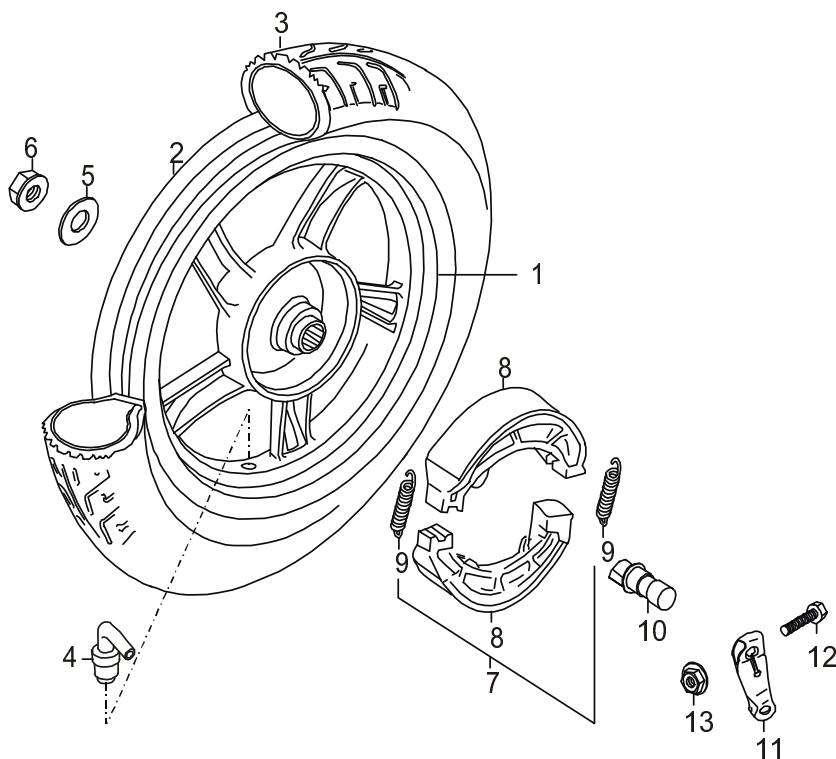
35

FIG.35

ДИСК ПЕРЕДНИЙ

Ref.No.	Part No.	Description	Q'ty	Remarks
1	54111QEKK000 QM125T-10V.33-1	Rim, front wheel	1	
2	55110QED2000 QM125T-4B.33.1-00	Tyre, front	1	
3	54711QEK4000 QM125T-10D.33-1	Axle, front wheel	1	
4	54600QEKK000 QM125T-10V.33.3-00	Gear box, speedometer	1	
5	05530Q060201 GB/T276-94	Bearing 6201Z	2	
6	54730QED2000 QM125T-4B.33-03	Spacer, front wheel bearing	1	
7	54891QED2000 QM125T-4B.33-4	Oil seal, front wheel	1	
8	59211QED2000 QM125T-4B.83-01	Disk, front brake	1	
9	03641Q008325 GB/T70.2-2000	Bolt M8x32	5	
10	54741QED4000 QM125T-4D.33-4	Spacer, front wheel	1	
11	05409Q091125 GB6187.2-0000	Flange nut M12x1.25	1	
12	55220QDAZ000 QM100T.33.3-00	Valve assy, inflating	1	

FIG.36



QM50T-10V

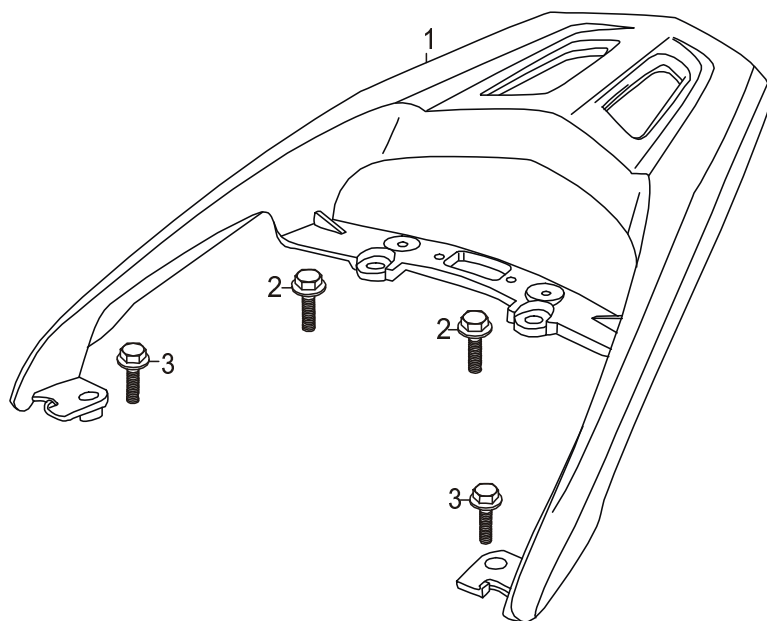
36

FIG.36

ДИСК ЗАДНИЙ

Ref.No.	Part No.	Description	Q'ty	Remarks
1	QM50T-10A.34.1-00	Rear wheel	1	
2	64150QAKA020 QM50T-10A(B).34.1-00	Hub, rear wheel	1	
3		Tyre, rear	1	
4		Inflating valve assy, wheel rim	1	
5	GB848-85	Washer	1	
6	GB6187-86	Nut M16	1	
7	64401OEK4000 QM100T.33.3-00	Brake shoe set	1	
8		Brake shoe	2	
9		Spring	2	
10	64441OEK4000 QM100T.34-1	Cam, rear brake	1	
11	64451OEAZ000 QM100T	Lever, rear brake cam	1	
12	GB5782-86	Bolt M6x32	1	
13	GB6177-86	Nut M6	1	

FIG.37



QM50T-10V

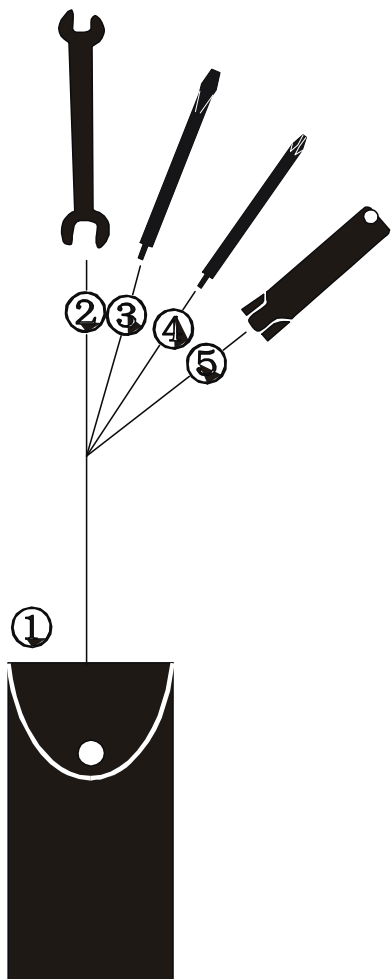
37

FIG.37

БАГАЖНИК

Ref.No.	Part No.	Description	Q'ty	Remarks
1	463110EK8000 QM125T-10H.40-01	Luggage carrier	1	
2	02104Q080205	Bolt M8x20	2	
3	02104Q080355	Bolt M8x35	2	

FIG.38



QM50T-10V

38

FIG.38

ИНСТРУМЕНТ

Ref.No.	Part No.	Description	Q'ty	Remarks
1	09811Q000004	Bag, tool	1	
2	09813Q000004	Spanner	1	
3	09814Q000006	Screwdriver	1	
4	09814Q000005	Screwdriver	1	
5	09816Q000001	Spark plug wrench	1	