



**КАТАЛОГ ЗАПЧАСТЕЙ К ДВИГАТЕЛЮ QM50QT
(2-такта, объем 49 см.куб.)**

CADET50 (QM50QT-3E)

FORTUNE 50 (QM50QT-4G)

FOX 50 (QM50QT-3M)

JUNIOR (QM50QT-B2)

QM50QT-H

Внимание!

Для заказа запчастей необходимо в каталоге найти страницу с изображением интересующей вас детали. В левом верхнем углу написан код рисунка. Номер детали указан возле изображения детали. Например для заказа прокладки глушителя, для модели FORTUNE 50, вы пишете в заявке – "FIG.13 – 8 Прокладка глушителя" (или название на английском из каталога) и необходимое количество. Если группа деталей объединена скобкой, это значит, что детали продаются в комплекте.

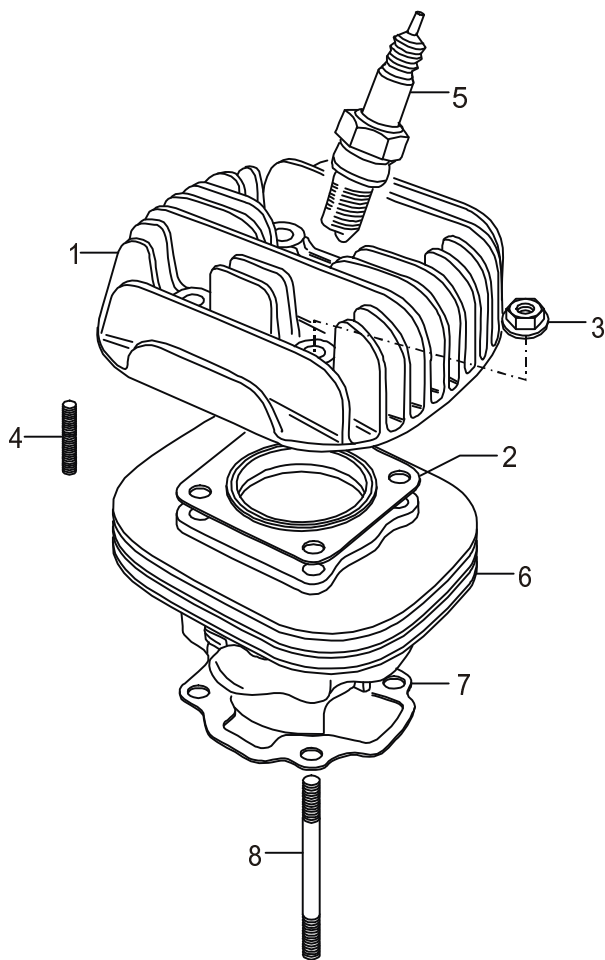
После того, как вы определились с выбором детали, вы можете сделать заказ, уточнить наличие на складе, цену, позвонив по телефонам указанным на [сайте](#) или отправьте запрос на наш e-mail:

repair@skybike.com.ua

КАТАЛОГ ЗАПЧАСТЕЙ

. No.	НАЗВАНИЕ	
FIG.E1	ЦИЛИНДР	1
FIG.E2	КАРТЕР	2
FIG.E3	КРЫШКА КАРТЕРА ЛЕВАЯ.....	4
FIG.E3A	КРЫШКА КАРТЕРА ЛЕВАЯ.....	5
FIG.E4	КОЛЕНВАЛ.....	6
FIG.E5	КАРБЮРАТОР.....	7
FIG.E6	МАСЛО НАСОС.....	9
FIG.E7	КРЫЛЬЧАТКА	10
FIG.E8	СЦЕПЛЕНИЕ	11
FIG.E9	ЗВЕЗДОЧКА ЗАДНЯЯ	12
FIG.E10	КИК СТАРТЕР	13
FIG.E11	МОТОР СТАРТЕРА.....	14
FIG.E12	МАГНЕТТО	15

FIG.E1



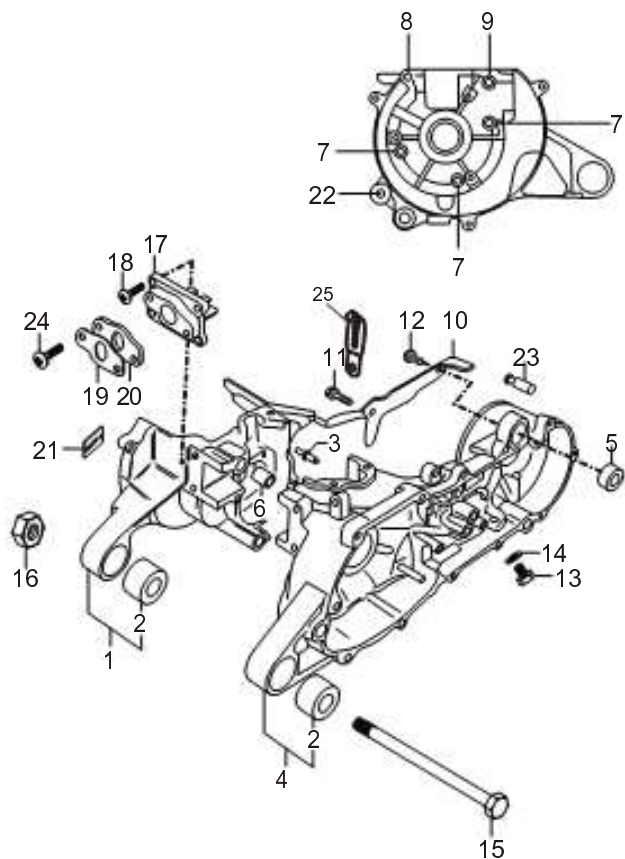
E1
FIG.E1

ЦИЛИНДР

Ref.No.	Part No.	Description	Q'ty	Remarks
1	D1E41QMB.02-02	Cylinder head	1	
2	D1E41QMB.02-06	Gasket, cylinder head	1	
3	GB6177.1-2000	Nut M6	4	
4	D1E41QMB.02-03	Stud	2	
5	D1E41QMB.02-07	Spark plug E5RTC	1	
6	D1E41QMB.02-01A	Cylinder	1	
7	D1E41QMB.02-05	Gasket, cylinder	1	
8	D1E41QMB.02-17	Stud	4	

D1E41QMB-2

FIG.E2



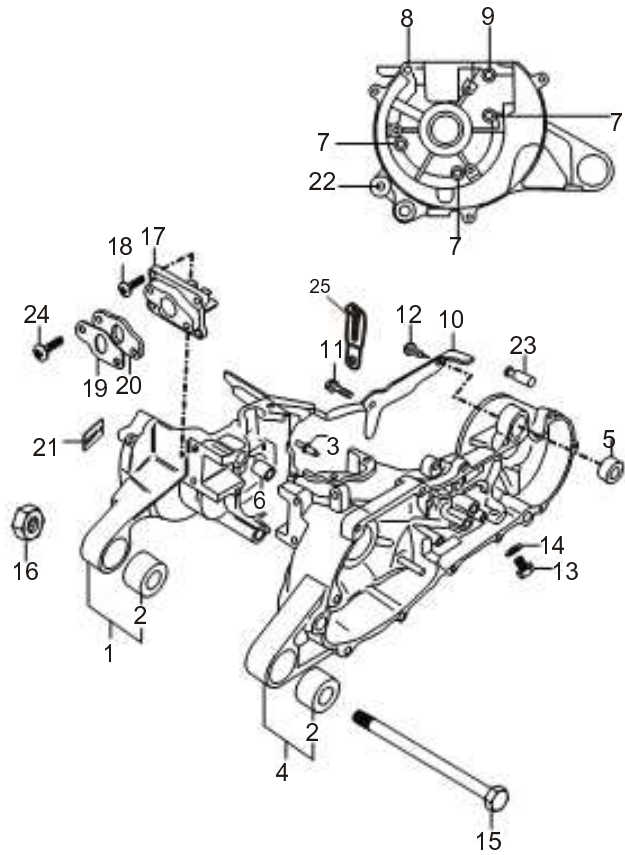
D1E41QMB-2

E2
FIG.E2

KAPTEP

Ref.No.	Part No.	Description	Q'ty	Remarks
1	D1E41QMB.01-04	Crankcase, RH	1	
2	D1E41QMB.01.1-00	Bush assy, engine mount	2	
3	D1E41QMB.01.4-00A	One-way valve	1	
4	D1E41QMB-2.01-03	Crank case, LH	1	
5	D1E41QMB.01.3-00	Bush, rear shock absorber	1	
6	D1E41QMB.01-02	Dowel pin	2	
7	GB818-2000	Screw M6 x 40	3	
8	GB818-2000	Screw M6 x 50	1	
9	GB818-2000	Screw M6 x 65	1	
10	D1E41QMB-2.01-19	Clamp, oil hose	1	
11	D1E41QMB.01-08	Union bolt	1	
12	GB818-2000	Screw M6x10	1	
13	D1E41QMB.01-14	Plug, drain	1	
14	D1E41QMB.01-15	Gasket, drain plug	1	
15	QM50QT.00-01	Shaft, engine mount	1	
16	GB6175-86	Nut M10x1.25	1	
17	D1E41QMB.14-00	Reed valve assy	1	
18	GB818-2000	Screw M6x20	6	
19	D1E41QMB.14-04	Gasket, insulator	2	
20	D1E41QMB.14-05	Insulator, carburetor	1	

FIG.E2



E2

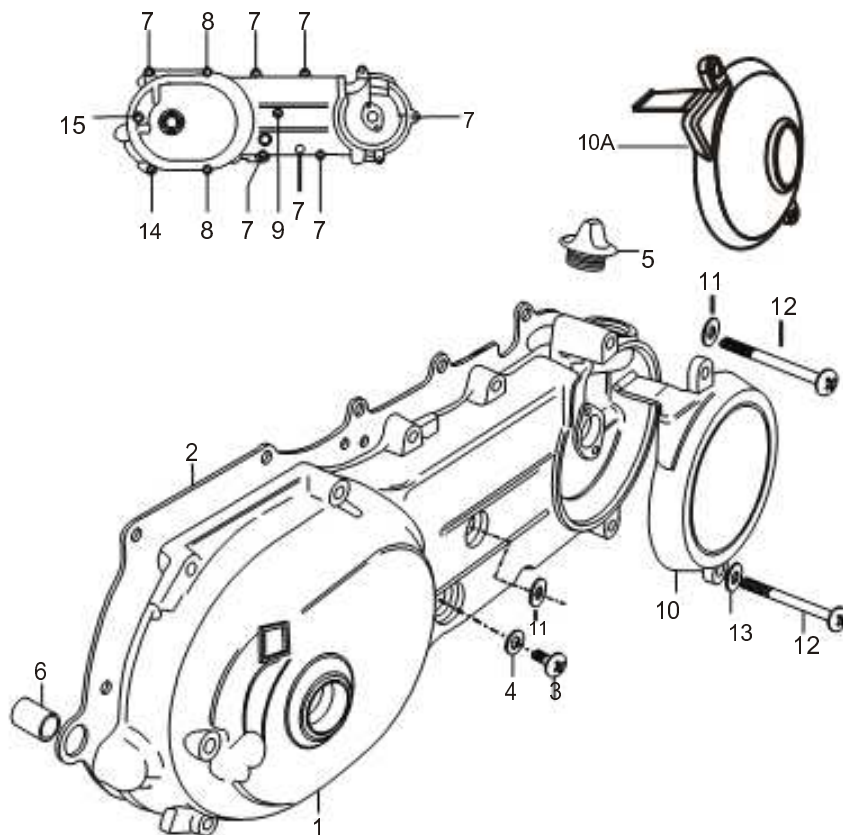
FIG.E2

KAPTEP

Ref.No.	Part No.	Description	Q'ty	Remarks
21	D1E41QMB.01-20	Binder	1	
22	D1E41QMB.01-05	Stud	1	
23	H1E41FM.01-19	Pin, brake shoe	1	
24	GB818-2000	ScrewM6 x 20	2	
25	D1E41QMB.11-13	Clamp	1	

D1E41QMB-2

FIG.E3



D1E41QMB-2

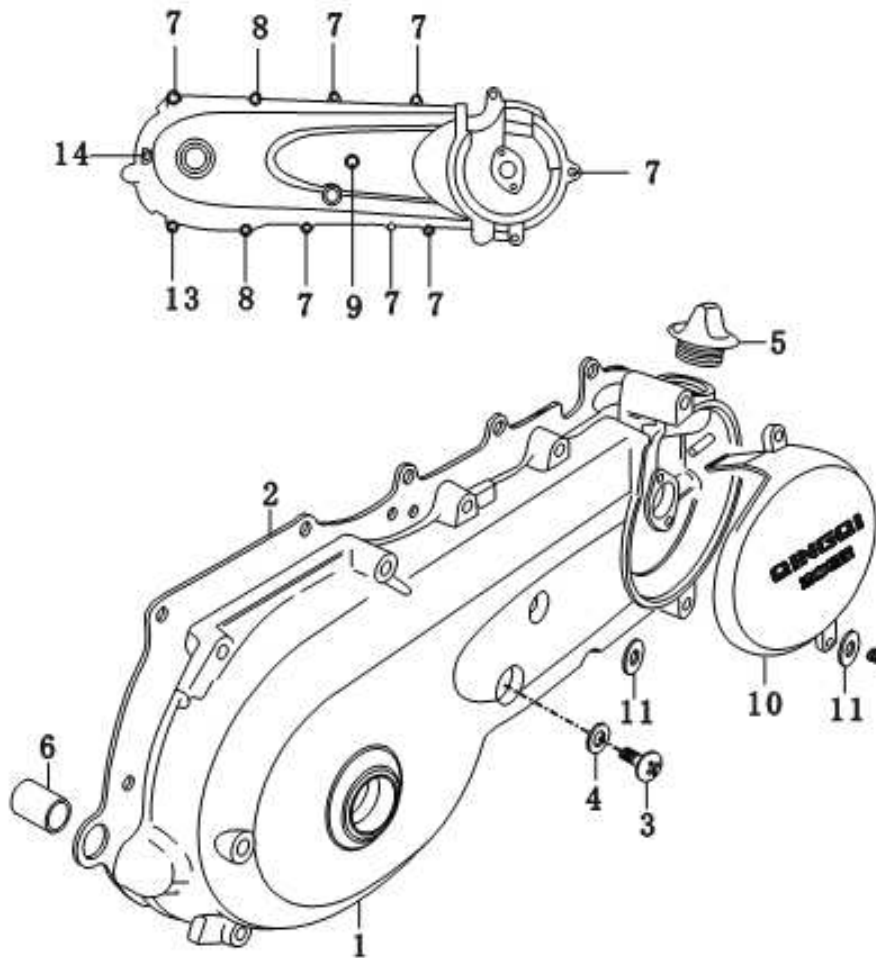
E3

FIG.E3

КРЫШКА КАРТЕРА ЛЕВАЯ

Ref.No.	Part No.	Description	Q'ty	Remarks
1	D1E41QMB-2.01-01	Crankcase cover , LH	1	
2	D1E41QMB-2.01-18	Casket, crankcase cover LH	1	
3	GB818-85	Screw M6x10	1	
4	D1E41QMB.01-13	Gasket, oil level screw	1	
5	D1E41QMB.01-16	Plug, filling	1	
6	D1E41QMB.01-02	Dowel pin	2	
7	GB818-2000	Screw M6 x 25	7	
8	GB818-2000	Screw M6 x 35	2	
9	GB818-2000	Screw M6 x 45	1	
10	D1E41QMB-2.01.2-00A	Dust cover, oil pump	1	
10A	D1E41QMB-2.01.2-00B	Dust cover, oil pump	1	
11	GB97.1	Washer 6	2	
12	GB818-2000	Screw M6x60	2	
13	D1E41QMB.01-22	Washer 14	1	
14	D1E41QMB(D).01-19	Screw M6 x 80	1	
15	D1E41QMB(D).01-18	Screw M6 x 105	1	

FIG.E3A



E3A

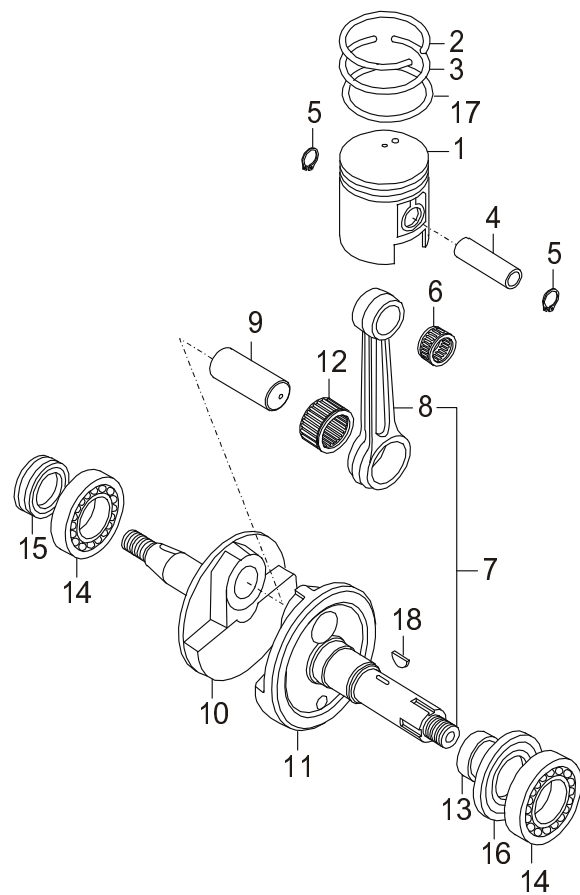
FIG.E3A

КРЫШКА КАРТЕРА ЛЕВАЯ

Ref.No.	Part No.	Description	Q'ty	Remarks
1	D1E41FMB-2.01-01A	Crankcase cover LH	1	
2	D1E41QMB-2.01-18	Casket, crankcase cover LH	1	
3	GB818-85	Screw M6x10	1	
4	D1E41QMB.01-13	Gasket, oil level screw	1	
5	D1E41QMB.01-16	Plug, filling	1	
6	D1E41QMB.01-02	Dowel pin	2	
7	GB818-2000	Screw M6 x 25	7	
8	GB818-2000	Screw M6 x 35	2	
9	GB818-2000	Screw M6 x 45	1	
10	D1E41QMB-2.01.2-00F	Dust cover, oil pump	1	
11	GB97.1	Washer 6	3	
12	GB818-2000	Screw M6 x 50	2	
13	D1E41QMB(D).01-19	Screw M6 x 80	1	
14	D1E41QMB(D).01-18	Screw M6 x 105	1	

D1E41QMB-2

FIG.E4



D1E41QMB-2

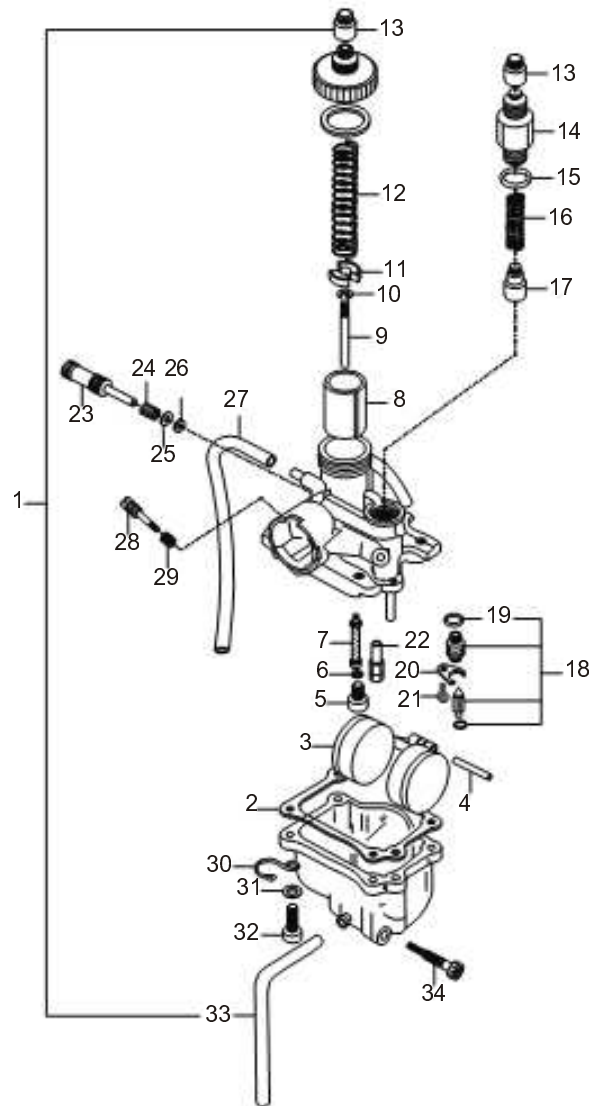
E4

FIG.E4

КОЛЕНВАЛ

Ref.No.	Part No.	Description	Q'ty	Remarks
1	D1E41QMB.03.2-00A	Piston	1	
2	D1E41QMB.03-01	Ring set, (first)	2	
3	D1E41QMB.03-03	Ring set, (second)	1	
4	H1E41FM.03-05	Pin, piston	1	
5	H1E41FM.03-12	Circlip	2	
6	D1E41QMB.03-06	Bearing, piston pin	1	
7	D1E41QMB.03.1-00	Crankshaft assy	1	
8	D1E41QMB.03.1-01	Rod, connecting	1	
9	D1E41QMB.03.1-04	Pin, crank	1	
10	D1E41QMB.03.1-05	Crank, RH	1	
11	D1E41QMB.03.1-03	Crank, LH	1	
12	D1E41QMB.03.1-06	Bearing, crank pin	1	
13	D1E41QMB.03.1-02	Spacer, crankshaft, LH	1	
14	GB276-89	Bearing, crankshaft	2	
15	HG4-692-67	Oil seal SG17x29x7 RH	1	
16	D1E41QMB.01-21	Oil seal SG26x42x7 LH	1	
17	D1EQMB.03-02	Ring set, expanding	1	
18	GB1099-76	Key 3 x 13	1	

FIG.E5



D1E41QMB-2

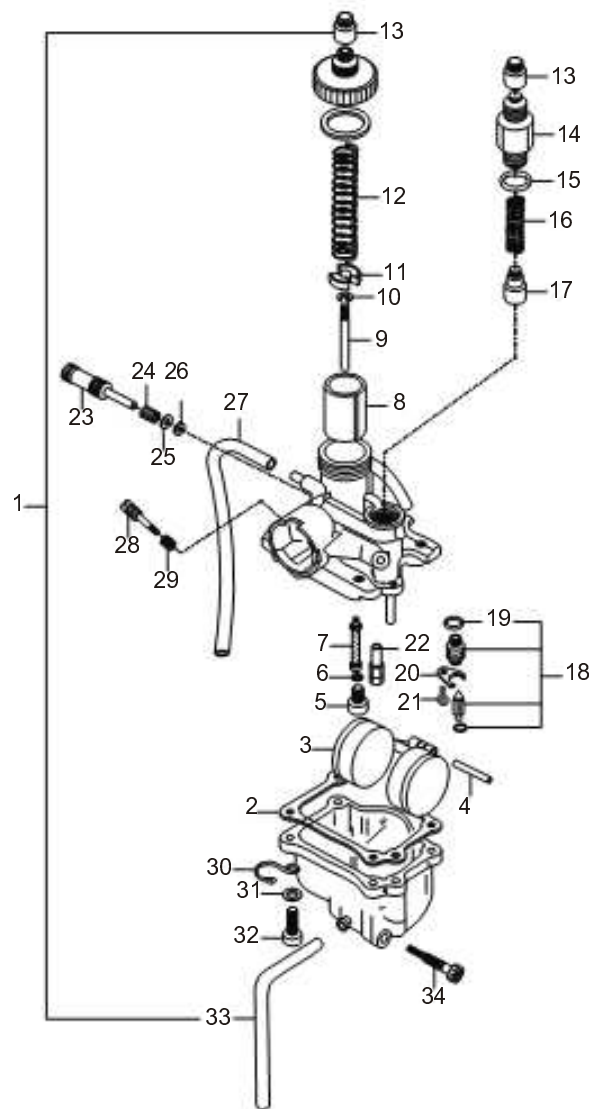
E5

FIG.E5

КАРБЮРАТОР

Ref.No.	Part No.	Description	Q'ty	Remarks
1	D1EQMB.08-00	Carburetor assy	1	
2	52M0000-14	Gasket	1	
3	52M0300-00	Float assy	1	
4	52M0000-13	Pin, float	1	
5	52M0000-11	Main jet	1	
6	52M0000-12	Rubber gasket	1	
7	52M0000-18	Needle jet	1	
8	52M0500-01	Valve, throttle	1	
9	52M0500-03	Jet needle	1	
10	52M0500-02	Circlip	1	
11	52M0500-02	Circlip	1	
12	52M0000-19	Spring, throttle valve	1	
13		Cap, throttle	2	
14	52M0000-02	Cap, plunger	1	
15	GB2452.1-82	O Ring	1	
16	52M0000-03	Spring	1	
17	52M0600-00	Plunger, starter	1	
18	52M0400-00	Jet, needle valve assy	1	
19	52M0000-15	Gasket	1	
20	52M0000-22	Stopper	1	

FIG.E5



D1E41QMB-2

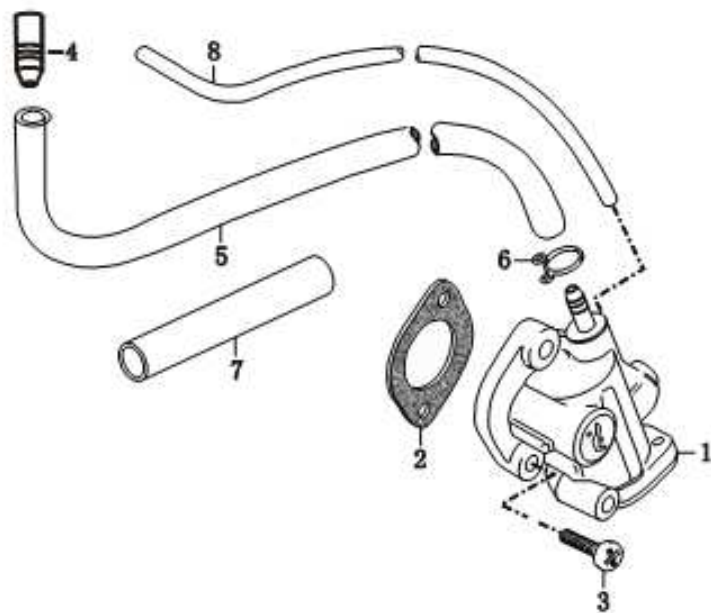
E5

FIG.E5

КАРБЮРАТОР

Ref.No.	Part No.	Description	Q'ty	Remarks
21	GB818-85	Screw	1	
22	52M0000-17	Jet, pilot	1	
23	52M0000-06	Adjusting screw, throttle	1	
24	52M0000-07	Spring, throttle screw	1	
25	52M0000-23	Washer	1	
26	52M0000-08	Gasket	1	
27		Fuel hose	1	
28	52M0000-04	Screw, air adjusting	1	
29	GB2452.1-82	Gasket 3.75x1.8	1	
30	52M0000-09	Clamp	1	
31	GB859-87	Washer 4	4	
32	GB818-85	Screw M4x14	4	
33		Hose, over flow	1	
34	52M0200-04	Plug screw, drain	1	

FIG.E6



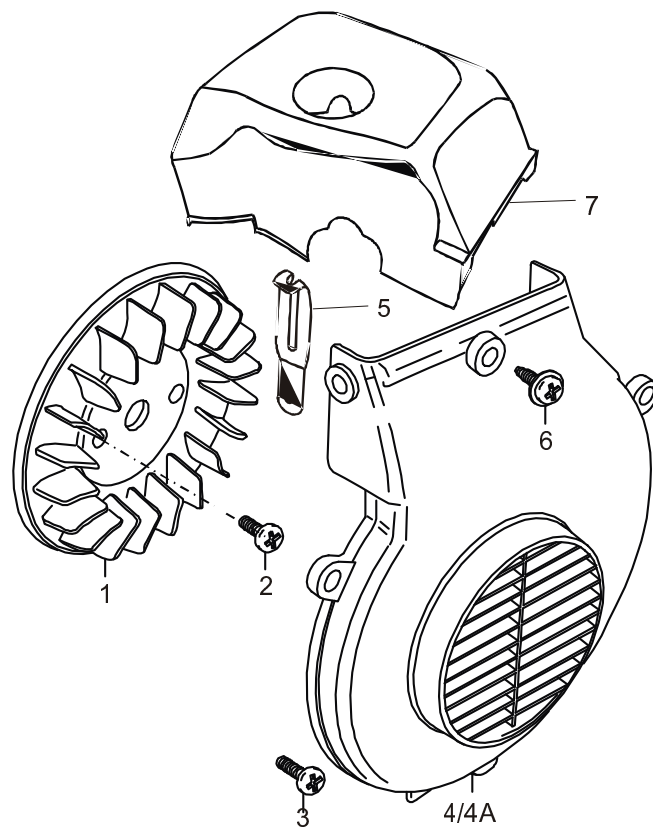
E6
FIG.E6

MACJIO HACOC

Ref.No.	Part No.	Description	Q'ty	Remarks
1	D1E41QMB-2.12-00	Oil pump assy	1	
2	D1E41QMB.12-10	Gasket	1	
3	GB9074.3-88	Screw M5 x 16	2	
4	D1E41QMB.12.1-00	Plug, filling	1	
5	D1E41QMB-2.12-01	Oil hose input	1	
6	C1E50FMF.12-4	Clamp, oil hose	1	
7	D1E41QMB-2.12-08		1	
8	D1E41QMB-2.12-02	Oil hose outlet d5xd2x380	1	

D1E41QMB-2

FIG.E7



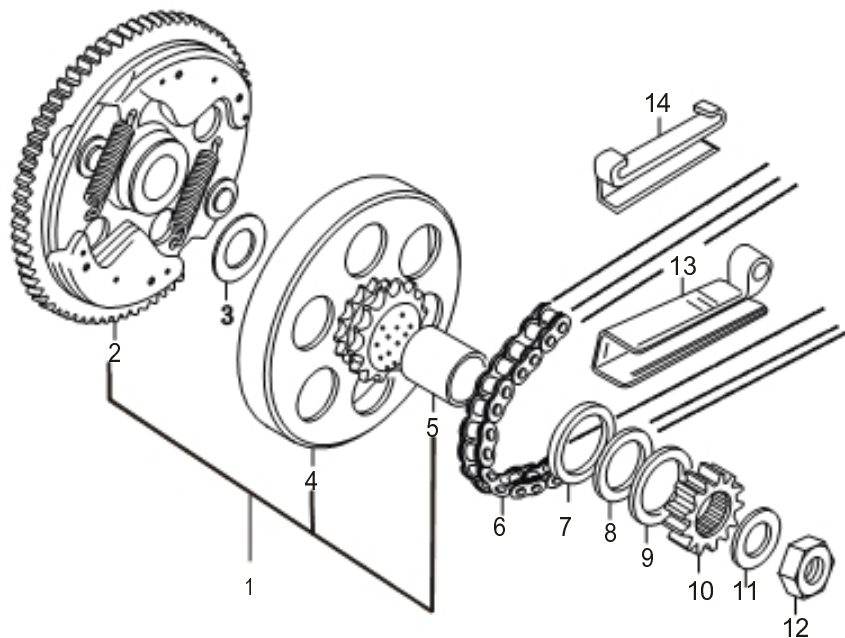
D1E41QMB-2

E7
FIG.E7

КРЫЛЬЧАТКА

Ref.No.	Part No.	Description	Q'ty	Remarks
1	D1E41QMB.11-03A	Fan	1	
2	GB9074.4-88	Screw M6 x16	2	
3	GB818-2000	Screw M6 x 16	3	
4	D1E41QMB.11-02	Cover fan	1	
4A	D1E41QMB.11-02A	Cover fan	1	
5	D1E41QMB.11-13	Clamp	1	
6	GB845-85	Screw ST6.3 19	3	
7	D1E41QMB-2.13-01	Cowling	1	

FIG.E8



E8

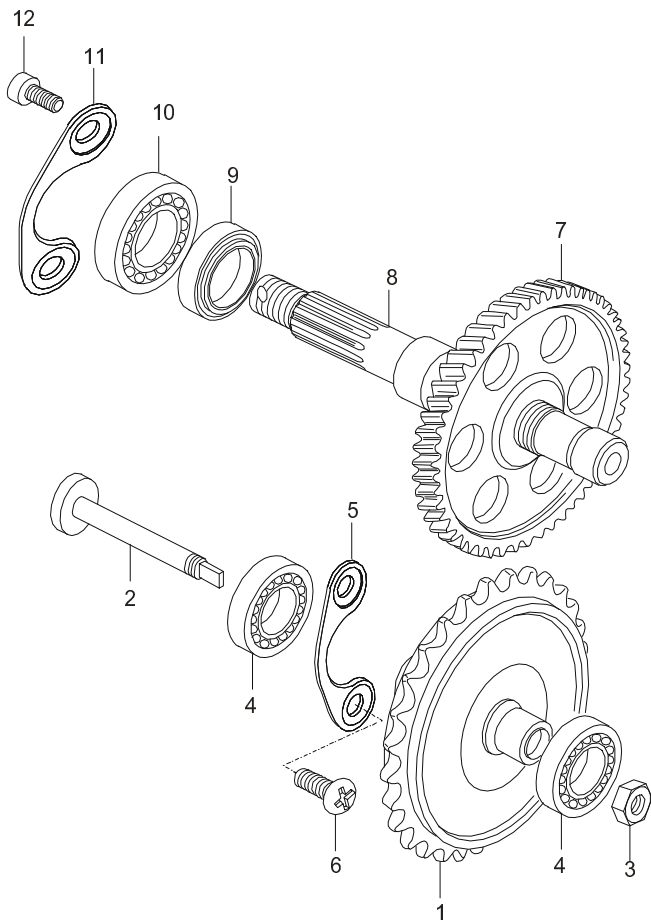
FIG.E8

СЦЕПЛЕНИЕ

Ref.No.	Part No.	Description	Q'ty	Remarks
1	D1E41FM(D).05-00	Clutch assy	1	
2	D1E41QMB(D).05.2-00	Clutch assy	1	
3	D1E41QMB.05-07	Washer	1	
4	D1E41QMB.05.1-00	Hub assy, clutch	1	
5	D1E41QMB.05-05	Spacer	1	
6	T085	Chain TO85/74	1	
7	D1E41QMB.05-01	Rubber ring	1	
8	D1E41QMB.05-06	Spacer	1	
9	D1E41QMB.05-02	Washer	1	
10	D1E41QMB.05-03	Gear, starter	1	
11	GB894.1-86	Washer 14	1	
12	GB6173-2000	Nut M12x1.25	1	
13	D1E41QMB.04.1-00	Lower guide, chain	1	
14	D1E41QMB-2.04.4-00	Upper guide, chain	1	

D1E41QMB-2

FIG.E9



E9

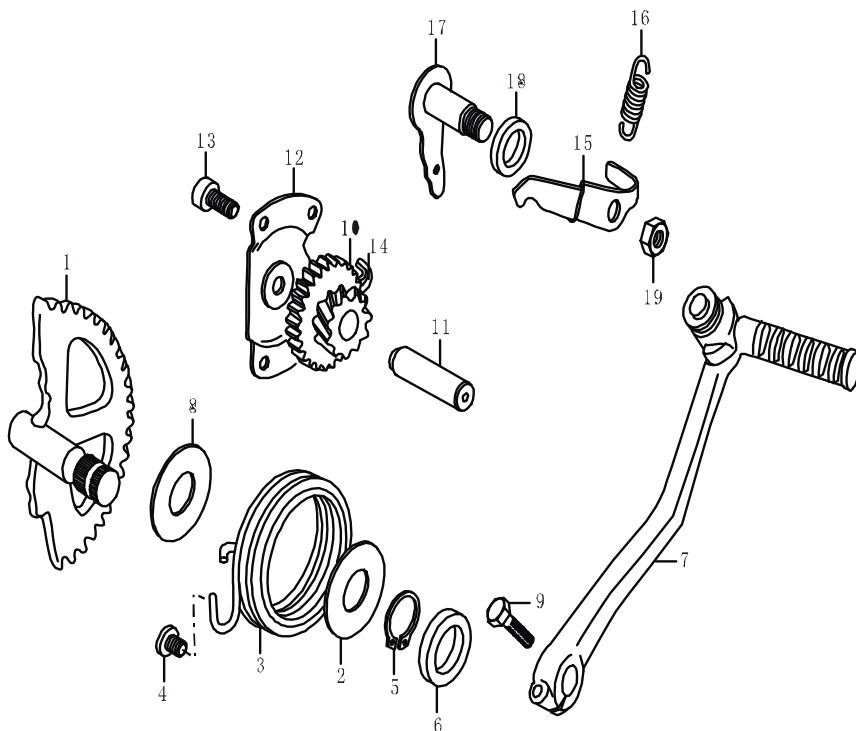
FIG.E9

ЗВЕЗДОЧКА ЗАДНЯЯ

Ref.No.	Part No.	Description	Q'ty	Remarks
1	D1E41QMB.04.2-00	Sprocket assy, rear	1	
2	D1E41QMB.01-10	Pin, rear sprocket	1	
3	GB6170-86	Nut M6	1	
4	GB276-89	Bearing 6001	2	
5	D1E41QMB.01-09	Retainer, bearing	1	
6	GB818-2000	Screw M6 x 10	2	
7	D1E41QMB-2.04.1-02	Gear, rear shaft	1	
8	D1E41QMB-2.04.1-01	Shaft, rear shaft	1	
9	HG4-692-67	Oil seal SD25x40x7	1	
10	GB279-89	Bearing 6204-2RS	1	
11	H1E41QMB.04-08	Retainer, rear bearing	1	
12	GB819.2-1997	Screw M6x12	2	

D1E41QMB-2

FIG.E10



D1E41QMB-2

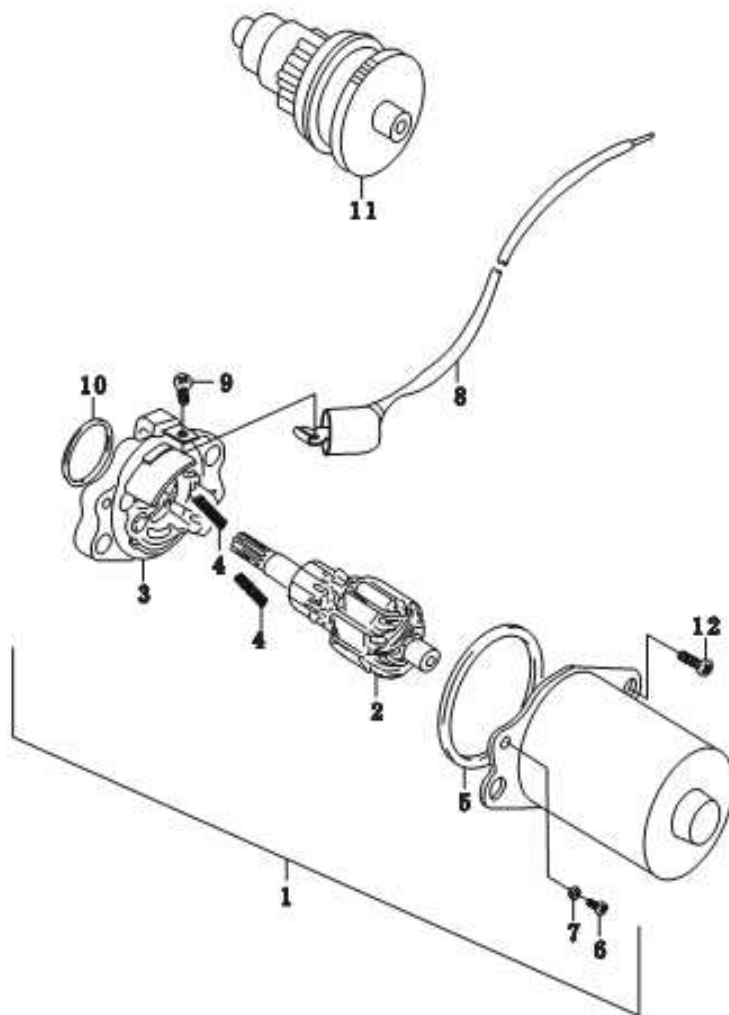
E10

FIG.E10

КИК СТАРТЕР

Ref.No.	Part No.	Description	Q'ty	Remarks
1	D1E41QMB.06.2-00	Shaft assy, kick starter	1	
2	D1E41QMB.06-07	Washer	1	
3	D1E41QMB.06-01	Spring, kick return	1	
4	GB973-76	Screw M6x12 Circlip	1	
5	GB894.1-86	Oil seal 14x24x6	1	
6	D1E41QMB.06-03		1	
7	D1E41QMB-2.06.1-00A	Lever assy, kick starter	1	
8	D1E41QMB.06-04	Washer, thrust	1	
9	GB5783-2000	Screw M6x25	1	
10	D1E41QMB.06.3-00	Gear assy, kick starter drive	1	
11	D1E41QMB.06-05	Shaft, kick starter gear	1	
12	D1E41QMB.06-02	Cover, stopper	1	
13	GB5783-86	Bolt M6x 16	4	
14	D1E41QMB.06.3-02	Clamp	1	
15	D1E41QMB.04-02	Pawl, kick starter	1	
16	GB2088-80	Spring Ax7x24	1	
17	D1E41QMB-2.04.2-00	Relater rod, brake	1	
18	HG4-692-67	Oil seal SD12x14x6	2	
19	GB6173-2000	Nut M10x1	1	

FIG.E11



D1E41QMB-2

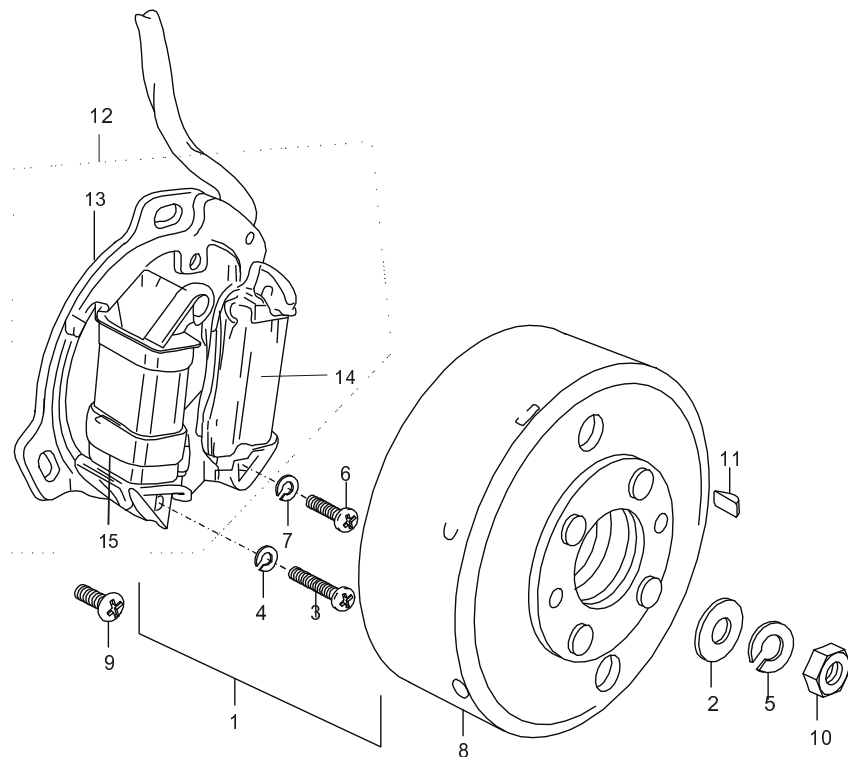
E11

FIG.E11

MOTOP CTAPTEPA

Ref.No.	Part No.	Description	Q'ty	Remarks
1	D1EQMB (D) .15-00	Motor assy, starting	1	
2	QM50QT-3.06D.1.1-00	Armature assy	1	
3	QM50QT-3.06D.1-01	Holder assy, brush	1	
4	QM50QT-3.06D.1-02	Spring, brush	2	
5	QM50QT-3.06D.1-03	Gasket	1	
6	GB818-85	Screw M4 x 10	2	
7	GB7246-87	Lock washer 4	2	
8	QM50QT-3.06D.1-04	Wire, starting motor	1	
9	GB818-85	Screw M4 x 10	1	
10	QM50QT-3.06D.1-05	Gasket	2	
11	QM50QT-3.06D.1.2-00	Clutch assy, staring motor	1	
12	GB818-85	Screw M6 x 25	1	

FIG.E12



D1E41QMB-2

E12

FIG.E12

MAGHETTO

Ref.No.	Part No.	Description	Q'ty	Remarks
1	D1E41QMB(D).07.1-00A	Magneto assy	1	
2	GB97	Washer 10	1	
3	GB67-85	Screw M4 x 25	2	
4	GB93-87	Lock washer	2	
5	GB859	Lock washer 10	1	
6	GB67-85	Screw M4 x 16	2	
7	GB93-87	Lock washer	2	
8		Rotor assy	1	
9	GB9074.1	Screw M5 x 12	3	
10	GB6170-2000	Nut M10 x 1.25	1	
11	GB1099.1-2003	Key 3 x 13	1	
12		Stator assy	1	
13		Stator	1	
14		Magneto Ignition coil	1	
15		Magneto illume	1	