



# КАТАЛОГ ЗАПЧАСТЕЙ

SPIDER50

QM50QT-3E(AG)

[www.SkyBike.com.ua](http://www.SkyBike.com.ua)

## **Внимание!**

Для заказа запчастей необходимо в каталоге найти страницу с изображением интересующей вас детали. В левом верхнем углу написан код рисунка. Номер детали указан возле изображения детали. Например для заказа прокладки глушителя, для модели FORTUNE 50, вы пишете в заявке – «FIG.13 – 8 Прокладка глушителя (или название на английском из каталога)» и необходимое количество. Если группа деталей объединена скобкой, это значит, что детали продаются в комплекте.

После того, как вы определились с выбором детали, вы можете сделать заказ, уточнить наличие на складе, цену, позвонив по телефонам указанным на [сайте](#) или отправьте запрос на наш e-mail: [rapair@skybike.com.ua](mailto:rapair@skybike.com.ua)

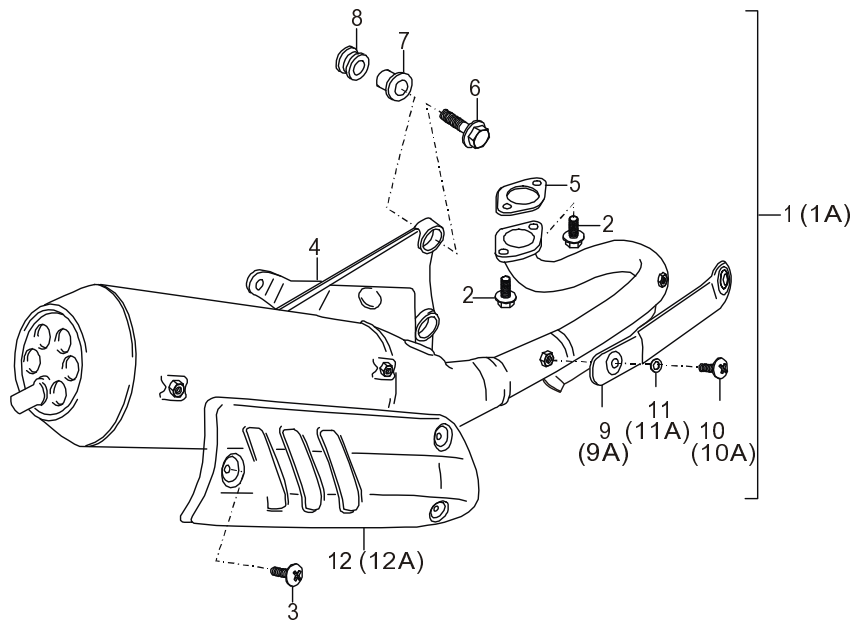
## КАТАЛОГ ЗАПЧАСТЕЙ

. No.		Стр	
FIG.C1	ГЛУШИТЕЛЬ	1	
FIG.C2	ВОЗДУШНЫЙ ФИЛЬТР	2	
FIG.C3	ПРОВОДКА	3	
FIG.C4	ЭЛЕКТРИЧЕСКИЕ ЧАСТИ	4	
FIG.C5	СПИДОМЕТР	5	
FIG.C6	ФАРА	6	
FIG.C6A	ФАРА	7	
FIG.C6B	ФАРА	8	
FIG.C6C	ФАРА	10	
FIG.C7	ФОНАРЬ ЗАДНИЙ	11	
FIG.C7A	ФОНАРЬ ЗАДНИЙ	12	
FIG.C8	ПЕРЕКЛЮЧАТЕЛИ РУЛЕВЫЕ	13	
FIG.C9	РУЛЬ	15	
FIG.C10	ПЕРЕДНИЙ ПЛАСТИК	16	
FIG.C10A	ПЕРЕДНИЙ ПЛАСТИК	18	
FIG.C10B	ПЕРЕДНИЙ ПЛАСТИК	19	
FIG.C11	ВНУТРЕННИЙ ПЛАСТИК	20	
FIG.C11A	ВНУТРЕННИЙ ПЛАСТИК	21	
FIG.C12	БОКОВОЙ ПЛАСТИК	22	
FIG.C12A	БОКОВОЙ ПЛАСТИК	23	
FIG.C13	СИДУШКА	24	
FIG.C13A	СИДУШКА	25	
C	FIG.C14	ПАНЕЛЬ ПОЛА	26

## КАТАЛОГ ЗАПЧАСТЕЙ

. No.		Стр
FIG.C14A	ПАНЕЛЬ ПОЛА	27
FIG.C15	КРЫЛО ПЕРЕДНЕЕ	28
FIG.C15A	КРЫЛО ПЕРЕДНЕЕ	29
FIG.C15B	КРЫЛО ПЕРЕДНЕЕ	30
FIG.C16	КРЫЛО ЗАДНЕЕ	31
FIG.C16A	КРЫЛО ЗАДНЕЕ	32
FIG.C17	РАМА	33
FIG.C18	ПОДНОЖКИ	35
FIG.C19	БЕНЗОБАК	36
FIG.C20	ПЕРЕДНЯЯ ВИЛКА	37
FIG.C20A	ПЕРЕДНЯЯ ВИЛКА	38
FIG.C20B	ПЕРЕДНЯЯ ВИЛКА	39
FIG.C21	БАГАЖНИК ЗАДНИЙ АММОТИЗАТОР	40
FIG.C21A	БАГАЖНИК / ЗАДНИЙ АММОТИЗАТОР	41
FIG.C22	ДИСК ПЕРЕДНИЙ	42
FIG.C22A	ДИСК ПЕРЕДНИЙ	44
FIG.C22B	ДИСК ПЕРЕДНИЙ	45
FIG.C23	ДИСК ЗАДНИЙ	46
FIG.C23A	ДИСК ЗАДНИЙ	47
FIG.C24	ИНСТРУМЕНТ	48
FIG.C25	ПЕРЕДНИЙ ТОРМОЗ	49
FIG.C25A	ПЕРЕДНИЙ ТОРМОЗ	51

FIG.C1



QM50QT-3E(G)

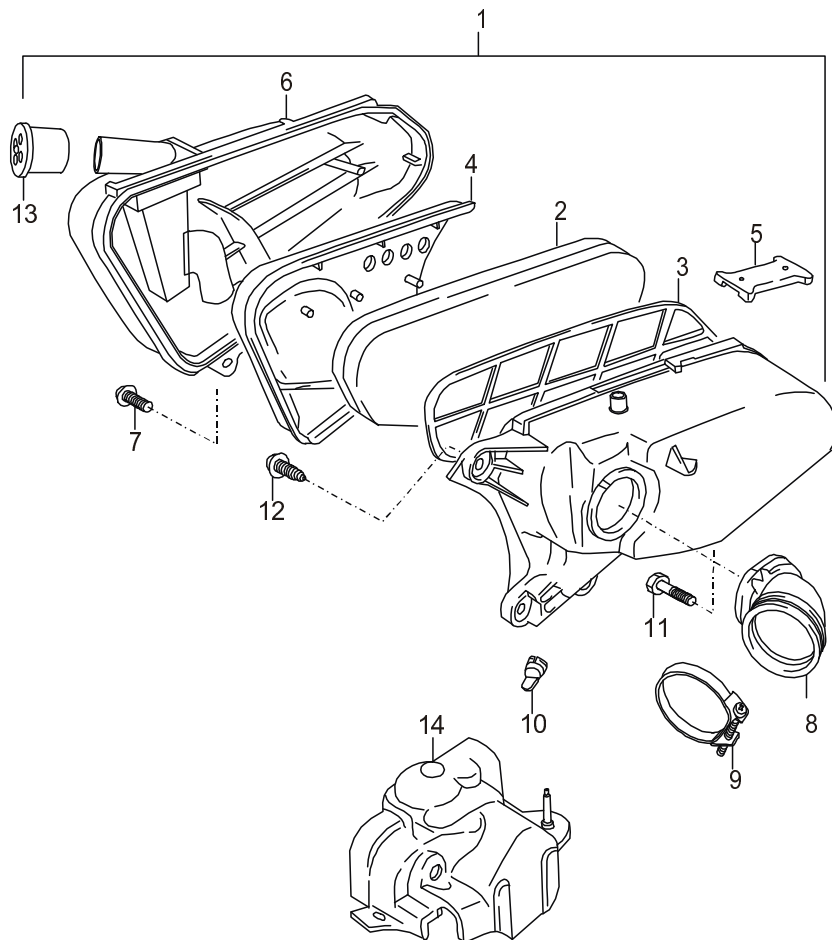
C1

FIG.C1

ГЛУШИТЕЛЬ

Ref.No.	Part No.	Description	Q'ty	Remarks
1	HIE41QMB.09-00	Muffler assy	1	
1A	QM50QT-3E(G).09-00	Muffler assy	1	
2	01624Q06202 GB/T9074.15-1988	Bolt M6x20	2	
3	GB818-85	Screw M6x8	3	
4	HIE41QMB.09.3-00	Body, muffler	1	
5	HIE41QMB.09-02	Gasket, muffler	1	
6	01634Q08351 GB/T9074.17-1988	Bolt M8x35	2	
7	HIE41QMB.09-00	Spacer, muffler bracket	2	
8	HIE41QMB.09-3	Cushion	2	
9	HIE41QMB.09-1	Cover, exhaust pipe	1	
9A		Cover, exhaust pipe	1	
10	GB818-85	Screw M6x6	2	
10A		Screw M6x6	2	
11	GB7246-87	Lock washer 6	2	
11A		Lock washer 6	2	
12	HIE41QMB.09.0-00	Cover, muffler	1	
12A	HIE41QMB.09.0-00	Cover, muffler	1	

FIG.C2



QM50QT-3E(G)

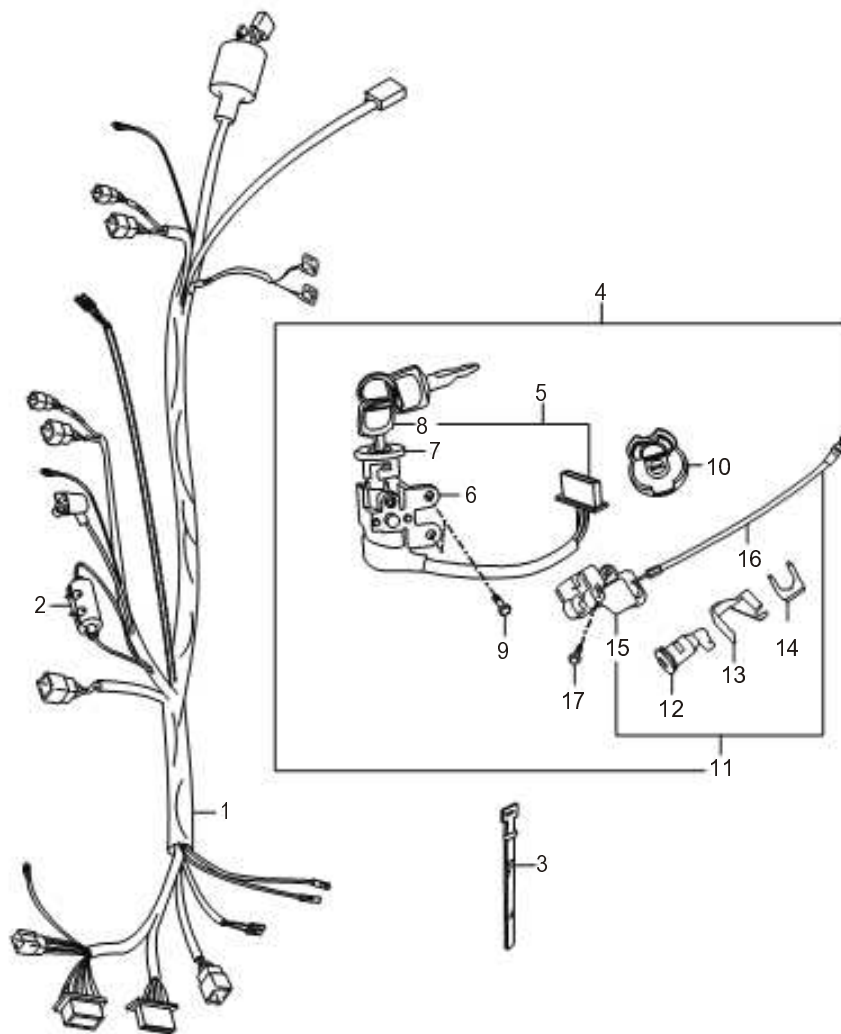
C2

FIG.C2

ВОЗДУШНЫЙ ФИЛЬТР

Ref.No.	Part No.	Description	Q'ty	Remarks
1	HIE41QMB.11-00	Air cleaner assy	1	
2		Filter, air	1	
3	HIE41QMB.11-04	Frame, filter	1	
4	HIE41QMB.11-03	Partition	1	
5	HIE41QMB.11-14	Lock	2	
6	HIE41QMB.11-02	Cap, cleaner	1	
7	HIE41QMB.11-15	Screw	2	
8	HIE41QMB.11-09	Tube outlet	1	
9	HIE41QMB.11.1-00	Clamp assy	1	
10	HIE41QMB.11-12	Tube, drain	1	
11	02104Q060162 GB/T16674.1-2004	Bolt M6x16	1	
12	GB848-85	Screw	1	
13		Cleaner	1	
14		Guard, carburetor	1	

FIG.C3



QM50QT-3E(G)

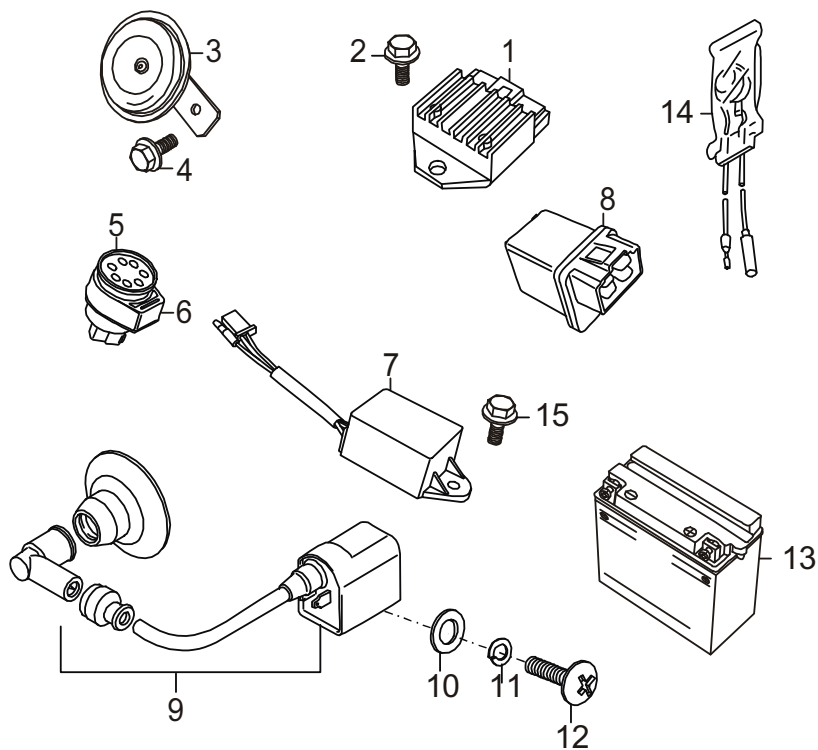
C3

FIG.C3

ПРОВОДКА

Ref.No.	Part No.	Description	Q'ty	Remarks
1	<u>36610QAC5020</u> QM50QT-3E(G).67.1-00	Wiring harness	1	
2	36710QAGZ000	Fuse 10A	2	
3	09407Q204001	Clamp	5	
4	<u>AS065QAGZ000</u> QM50QT-6.65-00	Lock assy	1	
5	<u>37100QAGZ000</u> QM50QT-6.65.1-00	Ignition switch assy	1	
6	<u>37101QAGZ000</u> QM50QT-6.65.1.1-00	Ignition switch	1	
7	<u>37155QAGZ000</u> QM50QT-6.65.1.1-01	Cap, switch	1	
8	<u>37158QAGZ000</u> QM50QT-6.65.1-01	Key	2	
9	02104Q060122 GB/T16674.1-2004	Bolt M6x12	2	
10	<u>44200QAGZ000</u> QM50QT-6.65.3-00	Cap fuel tank	1	
11	<u>45700QAGZ000</u> QM50QT-6.65.2-00	Lock set, seat	1	
12	<u>45801QAGZ000</u> QM50QT-6.65.2.2-00	Lock set, seat	1	
13	<u>45851QAGZ000</u> QM50QT-6.65.2-01	Holder, seat lock	1	
14	<u>45861QAA7000</u> QM50QT-E.84.1-2	Piece, holder	1	
15	<u>45701QAGZ000</u> QM50QT-6.65.2.1-00	Hooked lock, seat	1	
16	<u>45280QAGZ000</u> QM50QT-6.65.2.1.2-00	Wire assy	1	
17	02104Q060162 GB/T16674.1-2004	Bolt M6x16	2	

FIG.C4



QM50QT-3E(G)

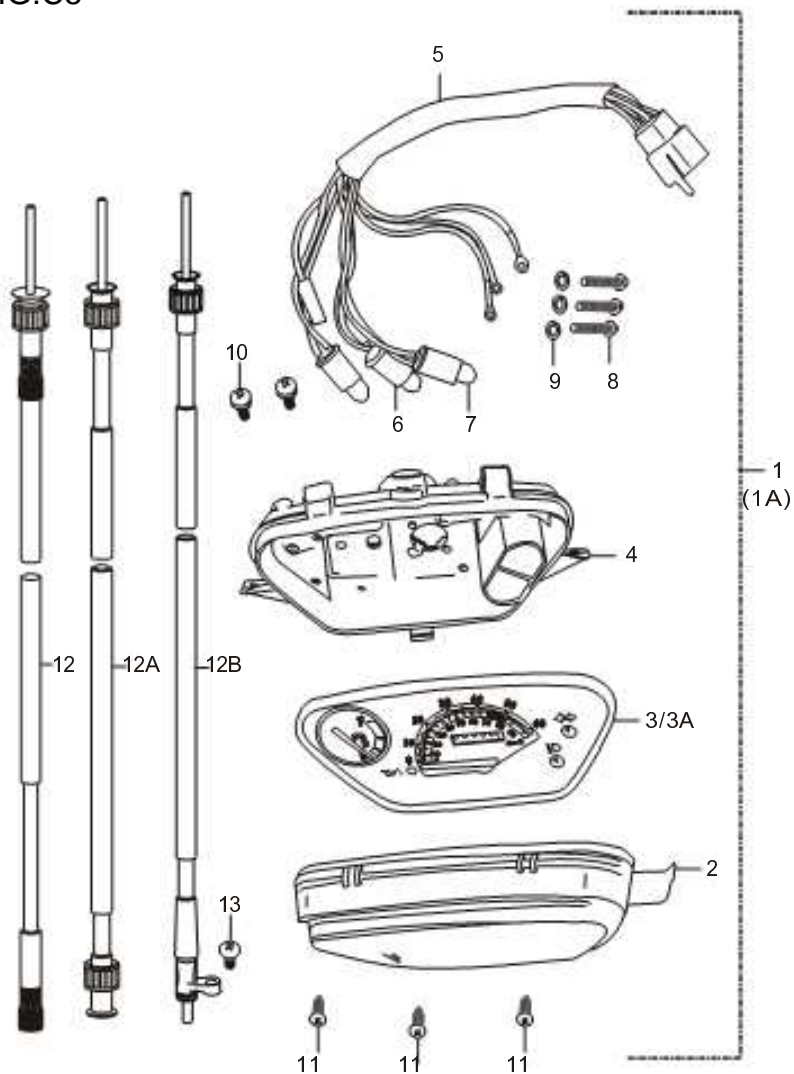
C4

FIG.C4

ЭЛЕКТРИЧЕСКИЕ ЧАСТИ

Ref.No.	Part No.	Description	Q'ty	Remarks
1	<u>32801QAFZ000</u> AG50.71-00	Regulator comp	1	
2	<u>02105Q060122</u> GB/T16674.1-2004	Bolt M6x12	1	
3	<u>38501QAA2000</u> QM50QT-B.63-00	Horn comp	1	
4	<u>02104Q060122</u> GB/T16674.1-2004	Bolt M6x12	1	
5	<u>38600QEA7000</u> QM125T-G.72-00	Flasher relay	1	
6	<u>38621QAFZ000</u> QM50T-7.70-01	Band, flash relay	1	
7	38901QAFZ000	CDI unit	1	
8	<u>31801QAFZ000</u> AG50.73.1-00	Relay, starting motor assy	1	
9	33410QAFZ000	Coil assy, ignition	1	
10		Washer	1	
11		Washer	1	
12		Screw	1	
13	<u>33601QDA1000</u> QM100T-A.60-00	Battery assy	1	
14	<u>32780QAFZ000</u>	Switch, thermo	1	
15	<u>02104Q060201</u> GB/T16674.1-2004	Bolt M6x20	1	

FIG.C5



QM50QT-3E(G)

C5

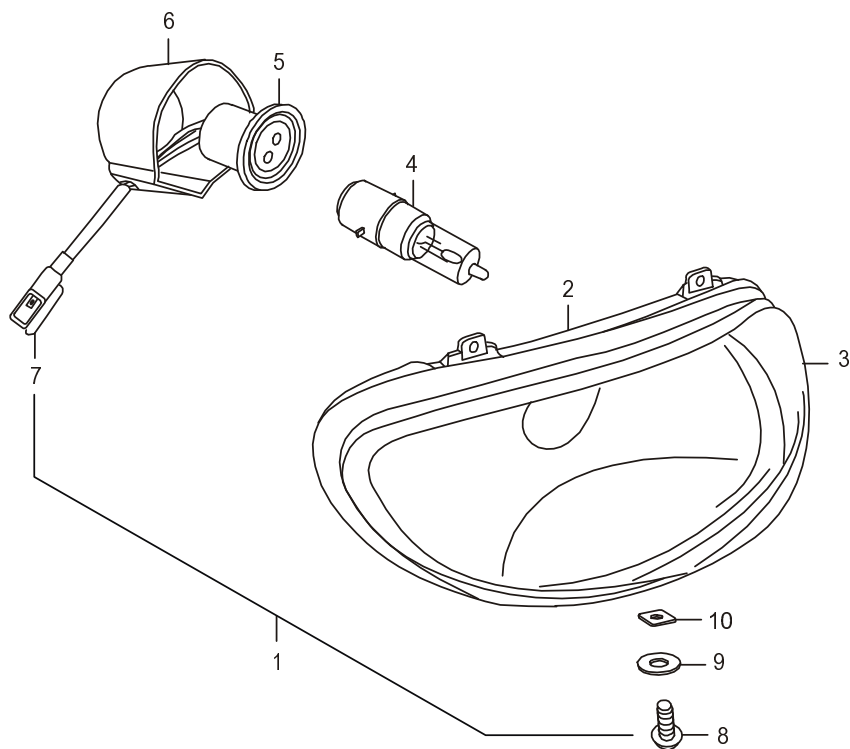
FIG.C5

СПИДОМЕТР

Ref.No.	Part No.	Description	Q'ty	Remarks
1	<u>34102QAC5000</u> QM50QT-3E.64.1-00	Speedometer assy	1	
2	<u>34111QAGZ000</u> QM50QT-6.64.1-05	Upper case	1	
3		Dial plate assy	1	
4	<u>34112QAGZ000</u> QM50QT-6.64.1-03	Lower case	1	
5		Wiring harness, speedometer	1	
6	<u>36320QAGZ000</u>	Socket assy	3	
7	07112Q010101	Bulb 12V2W	3	
8	<u>03411Q030224</u>	Screw M3x22	3	
9	05421Q011034	Washer 3	3	
10	<u>03411Q340124</u>	Screw M4x12	2	
11	<u>04010Q051603</u> GB/T845-1985	Screw ST4.8x16	3	
12	<u>34910QAGZ000</u> QM50QT-6.64.4-00	Cable, speedometer	1	
12A	<u>34910QAGZ040</u> QM50QT-3E(G2).64.2-00	Cable, speedometer	1	
12B	<u>34910QAC5030</u> QM50QT-3E(G).64.2-00	Cable, speedometer	1	
13	GB973	Screw M5x20	1	



FIG.C6



C6

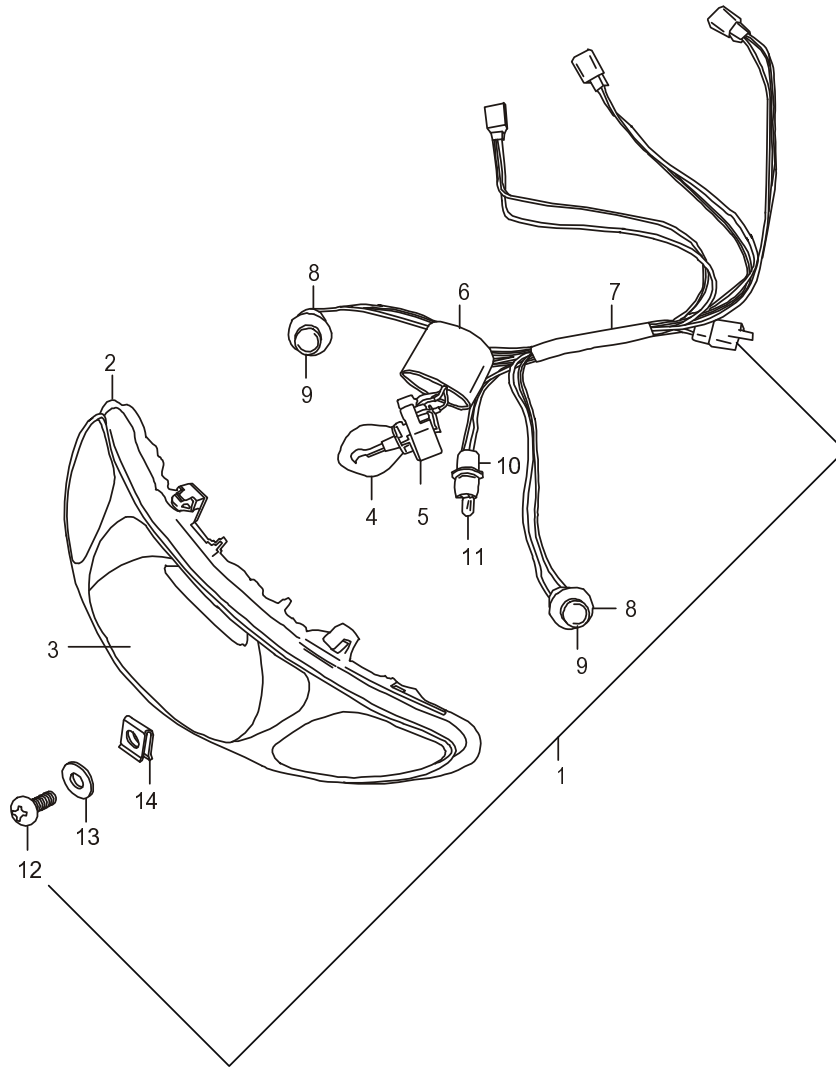
FIG.C6

ΦAPA

Ref.No.	Part No.	Description	Q'ty	Remarks
1	<u>35100QAGZ000</u> QM50QT-6.62-00	Headlamp assy	1	
2	<u>51811QAGZ000</u> QM50QT-6.62-2	Hood, headlamp	1	
3	<u>35124QAGZ000</u> QM50QT-6.62-4	Lens, head lamp	1	
4	<u>35131QAGZ000</u>	Bulb 12V 25W/25W	1	
5	35170QAGZ000	Socket assy, Headlamp	1	
6	<u>35161QAGZ000</u>	Boot, headlamp cable	1	
7	35180QAGZ000	Wire assy, head lamp	1	
8	<u>03411Q060125</u> GB/T818-2000	Screw M6x121	1	
9	05420Q021061	Washer 6	1	
10	<u>05405Q012061</u> GB/T39-1988	Nut M6	1	

QM50QT-3E(G)

FIG.C6A  
( Option )



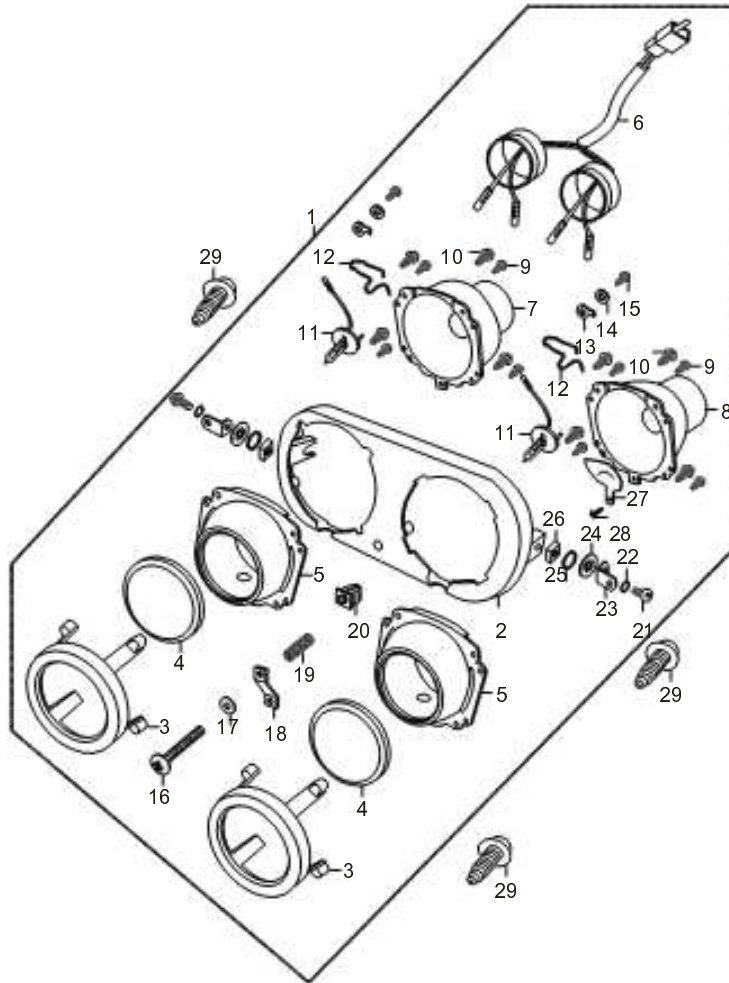
QM50QT-3E(G)

C6A  
FIG. C6A

ΦAPA

Ref.No.	Part No.	Description	Q'ty	Remarks
1	<del>35100OAGZ030</del> QM50QT-6(III).62.1-00	Headlamp assy	1	
2	<del>51811QAGZ030</del> QM50QT-6(III).62-1	Hood, headlamp	1	
3	<del>35124OAGZ030</del> QM50QT-6(III).62.1-2	Lens, head lamp	1	
4	07110Q002121	Bulb S2 12V35W/35W	1	
5	<del>35170OAGZ030</del> QM50QT-6(III).62.1.1-00	Socket assy, Headlamp	1	
6	<del>35161QAGZ030</del> QM50QT-6(III).62.1-2	Boot, headlamp cable	1	
7	<del>35180OAGZ030</del> QM50QT-6(III).62.1.2-00	Wire assy, head lamp	1	
8	<del>35610QAGZ030</del> QM50QT-6(III).62.1.1-00	Socket assy winker	2	
9	07110Q009121	Bulb 12V10W	2	
10	<del>36120QAGZ030</del> QM50QT-6(III).62.1.3-00	Socket	1	
11	07110Q011121	Bulb 12V5W	1	
12	<del>03411Q060125</del> GB/T818-2000	Screw M6x22	1	
13	05420Q021061	Washer 6	1	
14	<del>05405Q012061</del> GB/T39-1988	Nut M6	1	

FIG.C6B  
( Option )



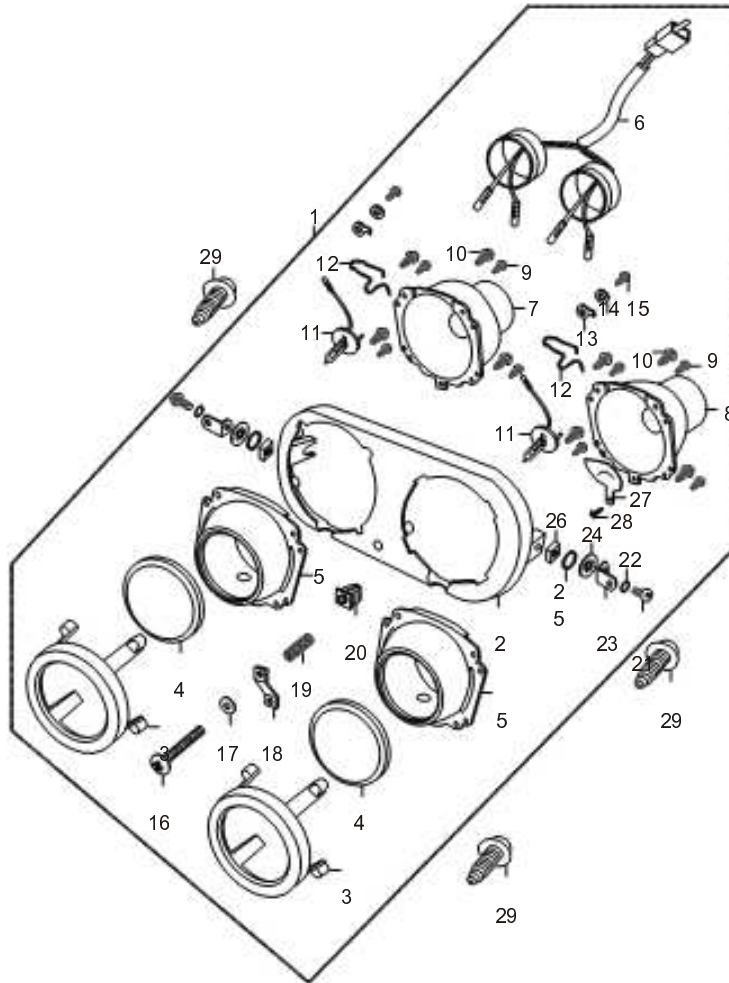
QM50QT-3E(G)

C6B  
FIG.C6B

ΦAPA

Ref.No.	Part No.	Description	Q'ty	Remarks
1	<u>35100OAGZ131</u> QM50QT-6(VIIIA).62.1-00	Headlamp assy	1	
2		Bracket, head lamp	1	
3		Cover	2	
4		Lens	2	
5		Hood	2	
6		Wire assy, head lamp	1	
7		Reflector, high beam	1	
8		Reflector, dipped headlight	1	
9		Screw	8	
10		Screw	8	
11		Bulb H3 35W/35W	2	
12		Circlip	2	
13		Piece	2	
14		Washer	2	
15		Screw	2	
16		Adjust screw	1	
17		Washer	1	
18		Bracket	1	

FIG.C6B  
( Option )



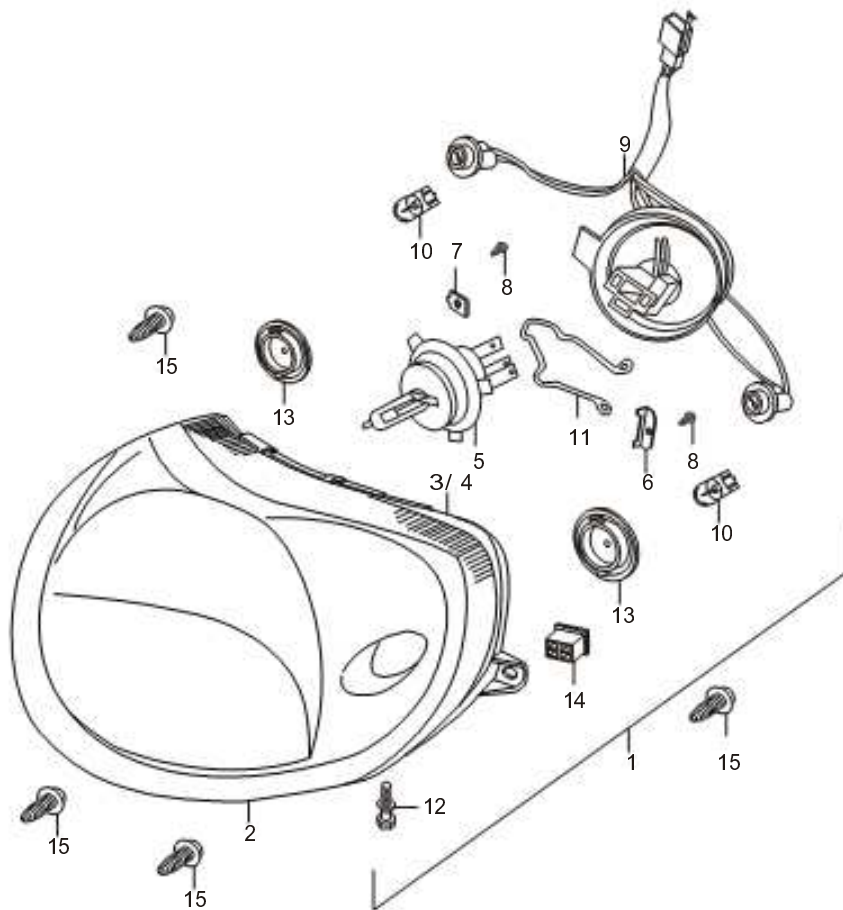
QM50QT-3E(G)

C6B  
FIG.C6B

ΦAPA

Ref.No.	Part No.	Description	Q'ty	Remarks
19		Spring	1	
20		Stopper	1	
21		Screw	2	
22		O ring	2	
23		Bracket	2	
24		Washer	2	
25		O ring	2	
26		Nut	2	
27		Board	1	
28		Screw	1	
29	040100041202 GB/T845-1985	Screw ST4.2x12	3	

FIG.C6C  
( Option )



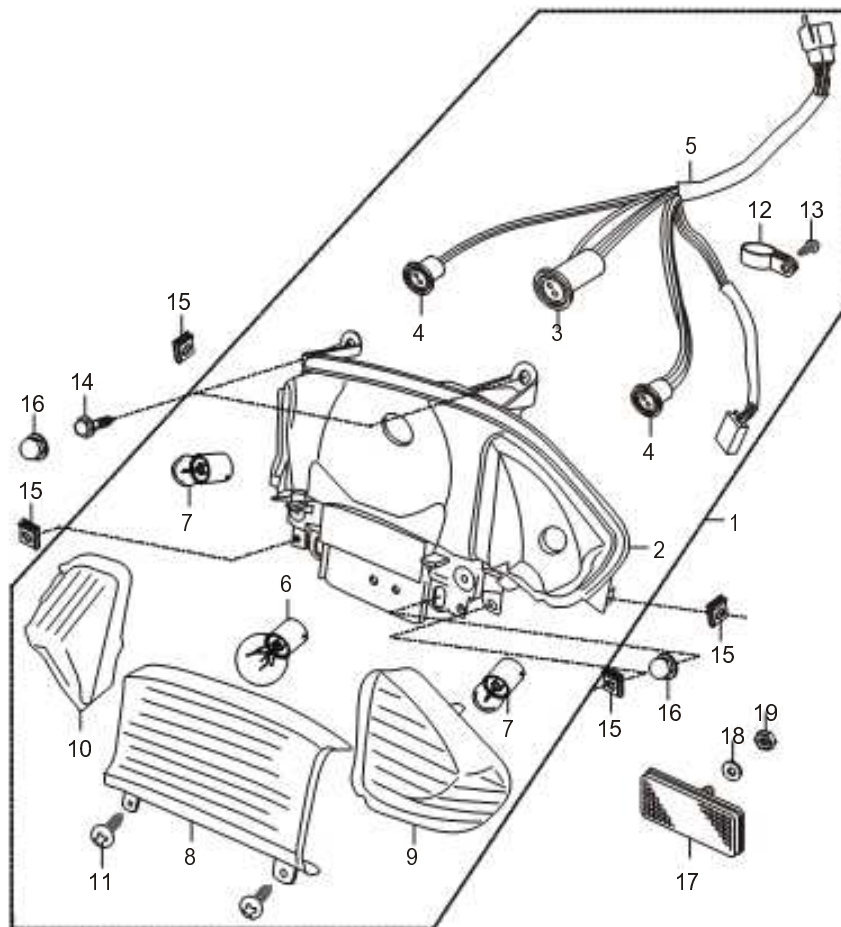
QM50QT-3E(G)

C6C  
FIG.C6C

ΦAPA

Ref.No.	Part No.	Description	Q'ty	Remarks
1	<u>35100QAGZ160</u> QM50QT-6(x).62.1-00	Headlamp assy	1	
2		Lens, head lamp	1	
3		Hood, headlamp	1	
4		Reflector	1	
5		Bulb HS1 12V35W/35W	1	
6		Piece I	1	
7		Piece II	1	
8		Screw	2	
9		Wire assy, head lamp	1	
10		Bulb, position	1	
11		Circlip	1	
12		Adjust screw	1	
13		Cover	1	
14		Plug	2	
15	<u>04010Q041202</u> GB/T845-1985	Screw ST4.2x12	4	

FIG.C7



QM50QT-3E(G)

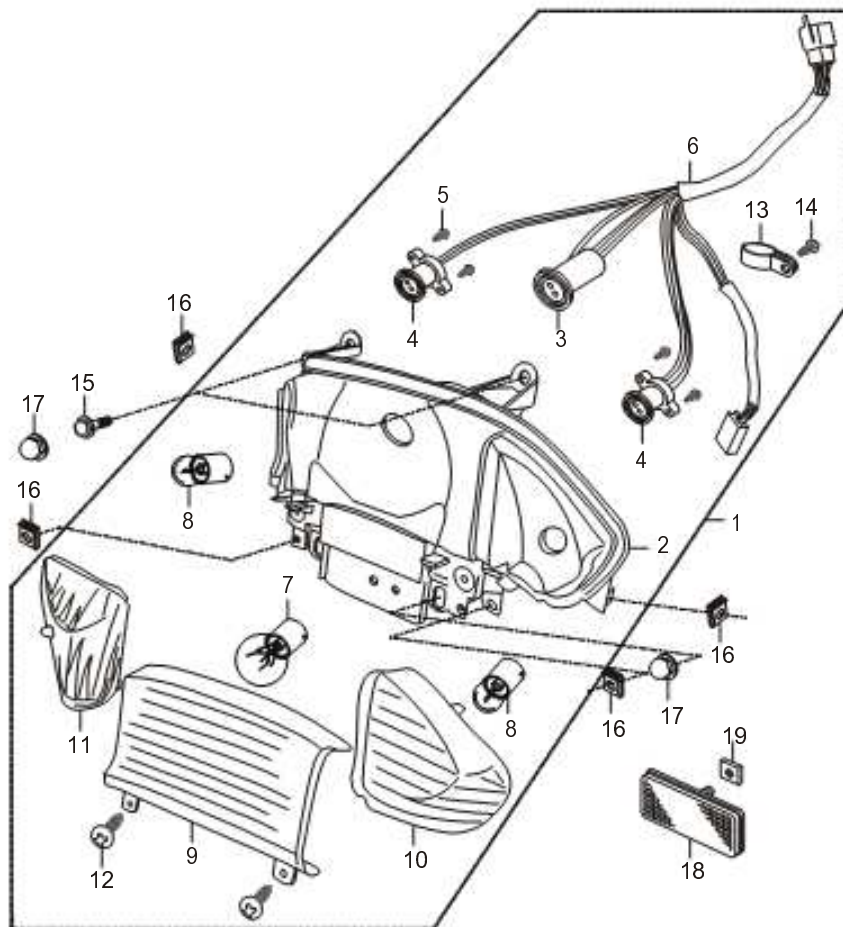
C7

FIG.C7

ЗАДНИЙ ФОНАРЬ

Ref.No.	Part No.	Description	Q'ty	Remarks
1	<u>35701QAGZ000</u> QM50QT-6.62.3-00	Tail lamp	1	
2	<u>35715QAGZ000</u> QM50QT-6.62.3-03	Cover, tail lamp	1	
3	35730QAGZ000	Socket assy, tail lamp	1	
4	35650QAGZ000	Socket assy, rear winker	2	
5	<u>35740QAGZ000</u> QM50QT-6.62.3.1-00	Wire assy, tail lamp	1	
6	07110Q007121	Bulb, tail lamp P21/5W	1	
7	35616QAGZ000	Bulb, rear winker 12V10W	2	
8	<u>35712QAGZ000</u> QM50QT-6.62.3-02	Lens, tail lamp	1	
9	<u>35653QAGZ000</u> QM50QT-6.62.3-01	Lens, RH rear winker	1	
10	35673QAGZ000	Lens, LH rear winker	1	
11	<u>04010Q030901</u> GB/T845-1985	Screw ST3.5x9	2	
12	<u>35761QAGZ000</u> QM50QT-6.62.3.1-1	Clamp	1	
13	<u>04010Q030901</u> GB/T845-1985	Screw ST3.5x9	1	
14	<u>02104Q060162</u> GB/T16674.1-2004	Bolt M6x16	2	
15	<u>09148Q040001</u> QM50T-7.38-3	Nut M4	4	
16	05407Q011065	Cap nut M6	2	
17	<u>35970QEA2000</u> QM125T-B.74.1-00	Reflector, rear	1	
18	<u>05420Q022051</u> GB/T 97.1-1985	Washer 5	1	
19	<u>05401Q012051</u> GB/T6170-2000	Nut M5	1	

FIG.C7A  
( Option )



QM50QT-3E(G)

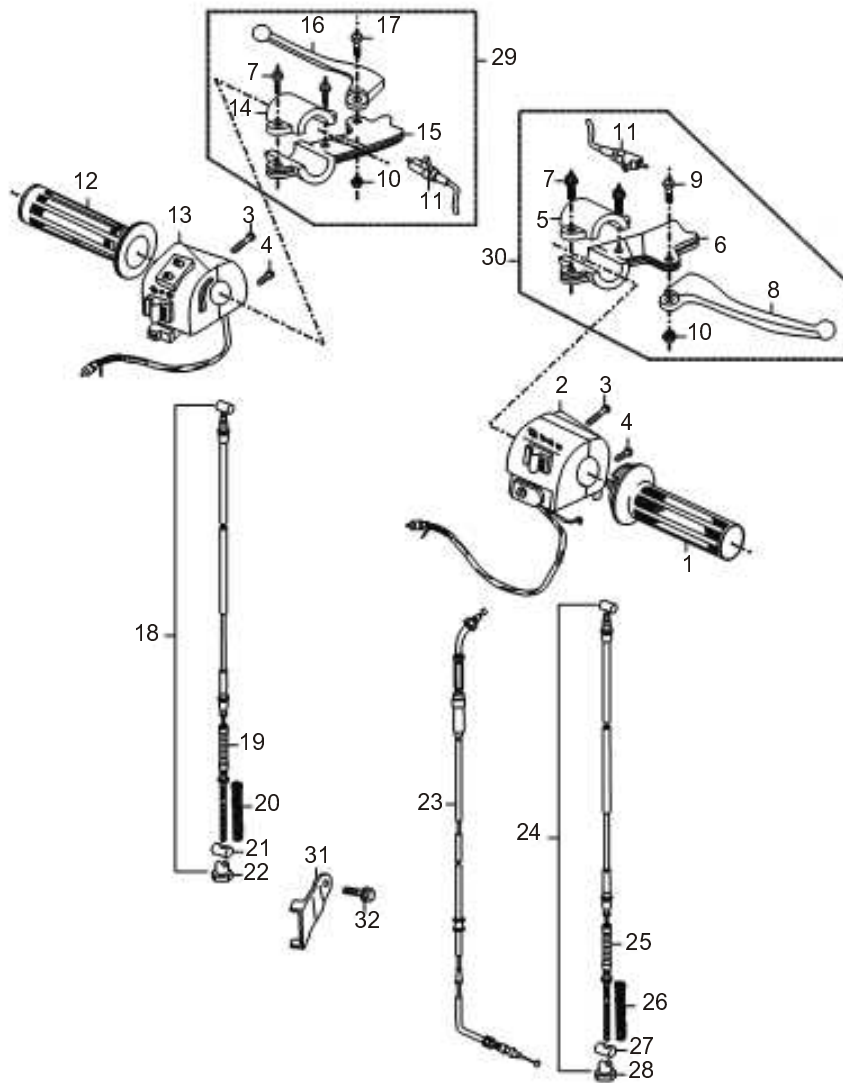
C7A

FIG.C7A

ЗАДНИЙ ФОНАРЬ

Ref.No.	Part No.	Description	Q'ty	Remarks
1	<u>35702QAGZ060</u> QM50QT-6(VI).62.3-00	Tail lamp	1	
2	<u>35715QAGZ060</u> QM50QT-6(VI).62.3-02	Cover, tail lamp	1	
3	35730QAGZ030	Socket assy, tail lamp	1	
4	<u>35650QAGZ030</u> QM50QT-6(III).62.3-00	Socket assy, rear winker	2	
5	<u>04010Q020901</u> GB/T845-1985	Screw ST2.9x9	4	
6	<u>35740QAGZ030</u> QM50QT-6(III).62.3.1-00	Wire assy, tail lamp	1	
7	07110Q007121	Bulb, tail lamp P21/5W	1	
8		Bulb, rear winker RY10W	2	
9	<u>35712QAGZ030</u> QM50QT-6(III).62.3-01	Lens, tail lamp	1	
10	<u>35653QAGZ060</u> QM50QT-6(VI).62.3-02	Lens, RH rear winker	1	
11	<u>35673QAGZ060</u> QM50QT-6(VI).62.3-03	Lens, LH rear winker	1	
12	<u>04010Q030901</u> GB/T845-1985	Screw ST3.5x9	2	
13	<u>35761QAGZ000</u> QM50QT-6.62.3.1-1	Clamp	1	
14	<u>04010Q030901</u> GB/T845-1985	Screw ST3.5x9	1	
15	<u>02104Q060162</u> GB/T16674.1-2004	Bolt M6x16	2	
16	<u>09148Q040001</u> AG50.38-3	Nut	4	
17	05407Q011065	Cap nut M6	2	
18	<u>35970QEA2000</u> QM125T-B.74.1-00	Reflector, rear	1	
19	<u>05405Q012054</u> GB39-88	Nut M5	1	

FIG.C8



QM50QT-3E(G)

C8

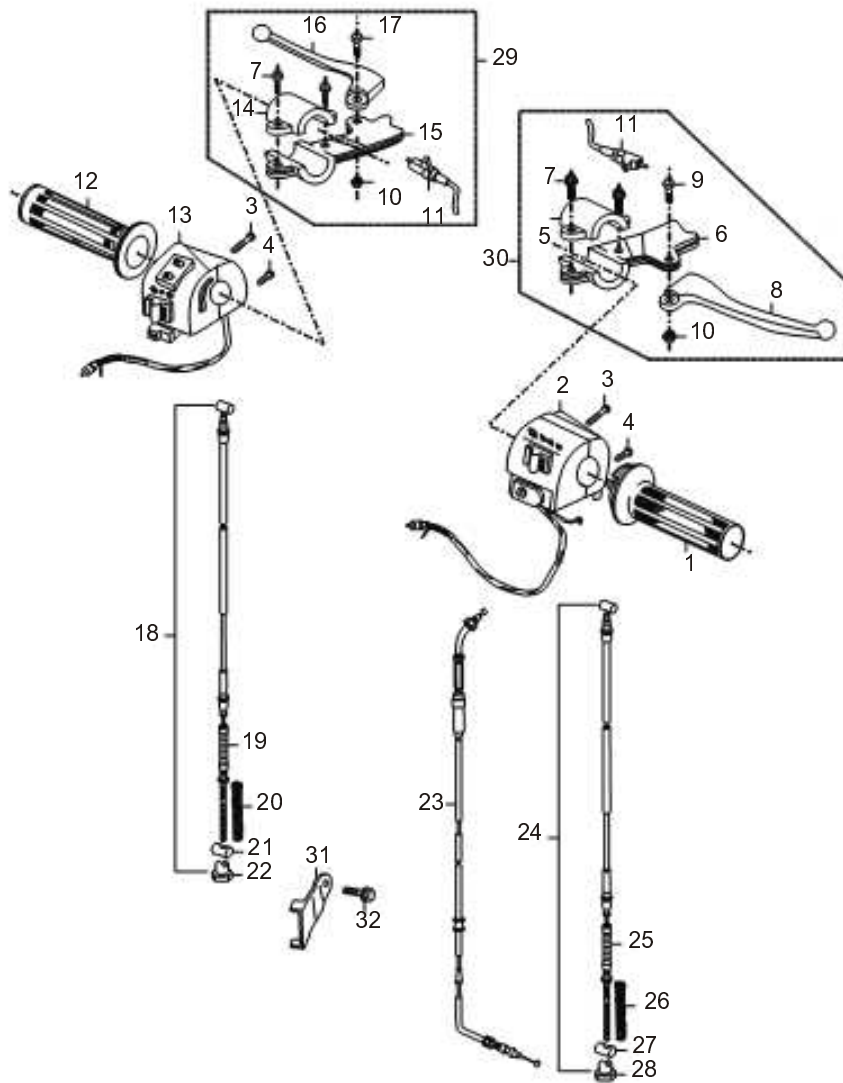
FIG.C8

ПЕРЕКЛЮЧАТЕЛИ РУЛЕВЫЕ

Ref.No.	Part No.	Description	Q'ty	Remarks
1	57110QACZ000 QM50QT-3.32.1-00 37200QAGZ000	Grip, throttle	1	
2	QM50QT-6.66.2-00 03411Q050253	Handle switch assy. RH	1	
3	GB/T818-2000	Screw M5x25	2	
4	03411Q050163 GB/T818-2000	Screw M5x16	2	
5	57311QAGZ000 QM50QT-6.32.4-01	Band lever bracket, RH	1	
6	57361QAGZ000 QM50QT-6.32.4-04	Bracket, brake lever RH	1	
7	02104Q060254 GB/T16674.1-2004	Bolt M6x25	4	
8	57421QAGZ000 QM50QT-6.32.4-02	Lever, front brake	1	
9	57341QAGZ000 QM50QT-6.32.4-03	Screw	1	
10	05409Q081052 GB/T6187.1-2000	Nut M5	2	
11	57460QAGZ000 QM50QT-6.32.4.1-00	Switch assy, stop lamp	2	
12	57211QACZ000 QM50QT-3.32-1	Grip, left	1	
13	37400QAGZ000 QM50QT-6.66.1-00	Handle switch assy. LH	1	
14	57511QAGZ000 QM50QT-6.32.2-01	Band lever bracket, LH	1	
15	57531QAGZ000 QM50QT-6.32.2-04	Bracket, brake lever LH	1	
16	57621QAGZ000 QM50QT-6.32.2-02	Lever, rear brake	1	
17	57634QAGZ000 QM50QT-6.32.2-03	Bolt	1	
18	58500QAC5010 QM50QT-3E(G).32.8-00	Cable, rear brake	1	



FIG.C8



QM50QT-3E(G)

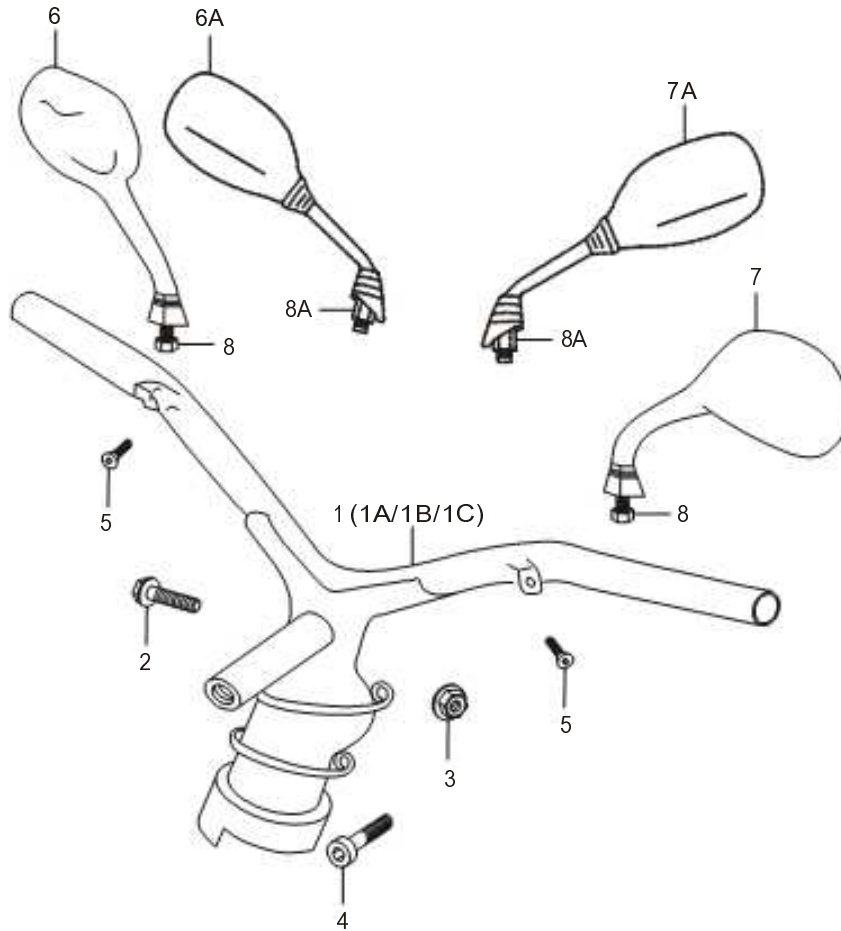
C8

FIG.C8

ПЕРЕКЛЮЧАТЕЛИ РУЛЕВЫЕ

Ref.No.	Part No.	Description	Q'ty	Remarks
19	58558QAGZ000 QM50QT-6.32.8-4	Dust seal	1	
20	09440Q070001 QM50T-7.32.8-12	Spring	1	
21	06190Q011220	Pin	1	
22	06173Q060000 GB/T228.7	Adjusting nut M6	1	
23	58300QAC5010 QM50QT-3E(G).32.6-00	Cable, throttle	1	
24	58100QAGZ000 QM50QT-6.32.7-00	Cable, Front brake	1	
25	58558QAGZ000 QM50QT-6.32.8-4	Dust seal	1	
26	09440Q070001 QM50T-7.32.8-12	Spring	1	
27	06190Q011220	Pin	1	
28	06173Q060000 GBT228.7	Adjusting nut M6	1	
29	57500QAGZ000 QM50QT-6.32.2-00	Lever assy, rear brake	1	
30	57300QAGZ000 QM50QT-6.32.4-00	Lever assy, front brake	1	
31		Board, rear brake	1	
32	02104Q060122 GB/T16674	Bolt M6x12	1	

FIG.C9



QM50QT-3E(G)

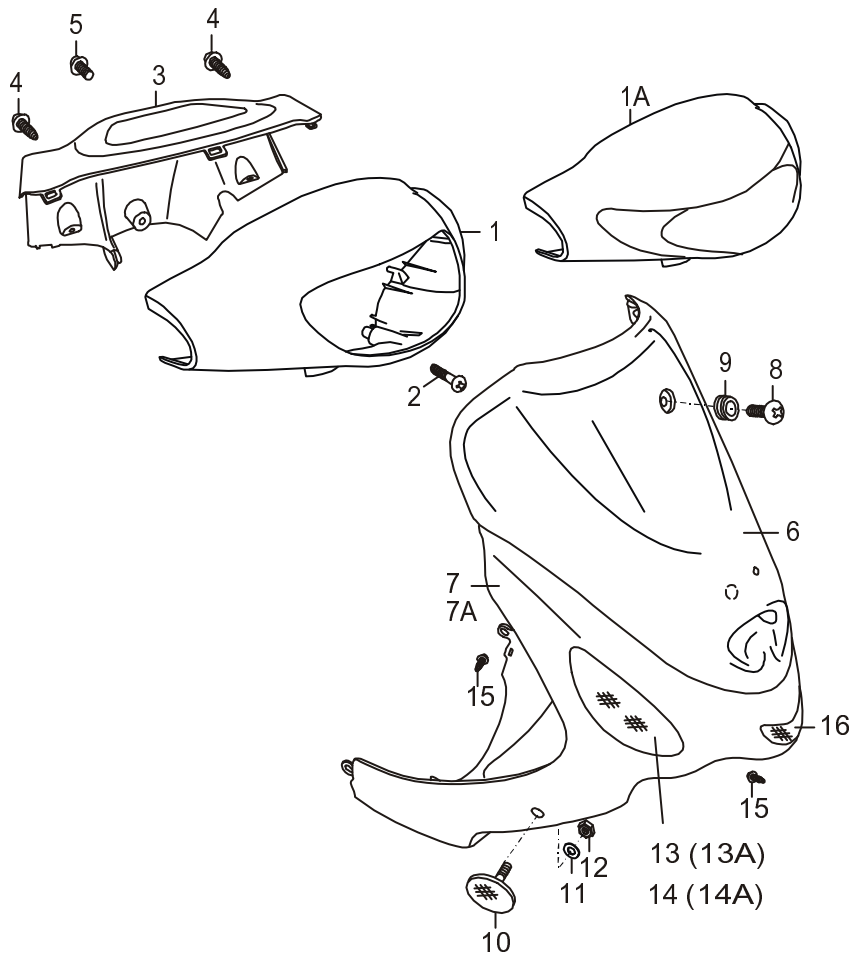
C9

FIG.C9

PYJIB

Ref.No.	Part No.	Description	Q'ty	Remarks
1	<u>56110QAGZ000</u> QM50QT-6.32.2-00	Handlebar assy	1	
1A	<u>56110QAGZ060</u> QM50QT-6(VI).32.1-00	Handlebar assy	1	
1B	<u>56110QAGZ130</u> QM50QT-6(VII).32.1-00	Handlebar assy	1	
1C	<u>56110QAGZ150</u> QM50QT-6 ( IX ).32.1-00	Handlebar assy	1	
2	<u>02504Q100451</u> GB/T16674.2-2004	Bolt M10x1.25x45	1	
3	<u>05409Q091101</u> GB/T6187.2-2000	Nut M10x1.25	1	
4	<u>03631Q008354</u> GB/T2673-1986	Screw M8x35	1	
5	<u>04010Q051302</u> GB/T845-1985	Screw ST4.8x13	2	
6	<u>56510QAA4000</u> QM50QT-B2.32.2-00	Mirror assy. RH	1	
6A	<u>56510QAGZ030</u> QM50QT-6(III).32.1-00	Mirror assy. RH	1	
7	<u>56610QAA4000</u> QM50QT-B2.32.1-00	Mirror assy. LH	1	
7A	<u>56610QAGZ030</u> QM50QT-6(III).32.2-00	Mirror assy. LH	1	
8	<u>05401Q01208I</u> GB/T6170-2000	Nut M8	2	
8A		Nut M8	2	

FIG.C10



QM50QT-3E(G)

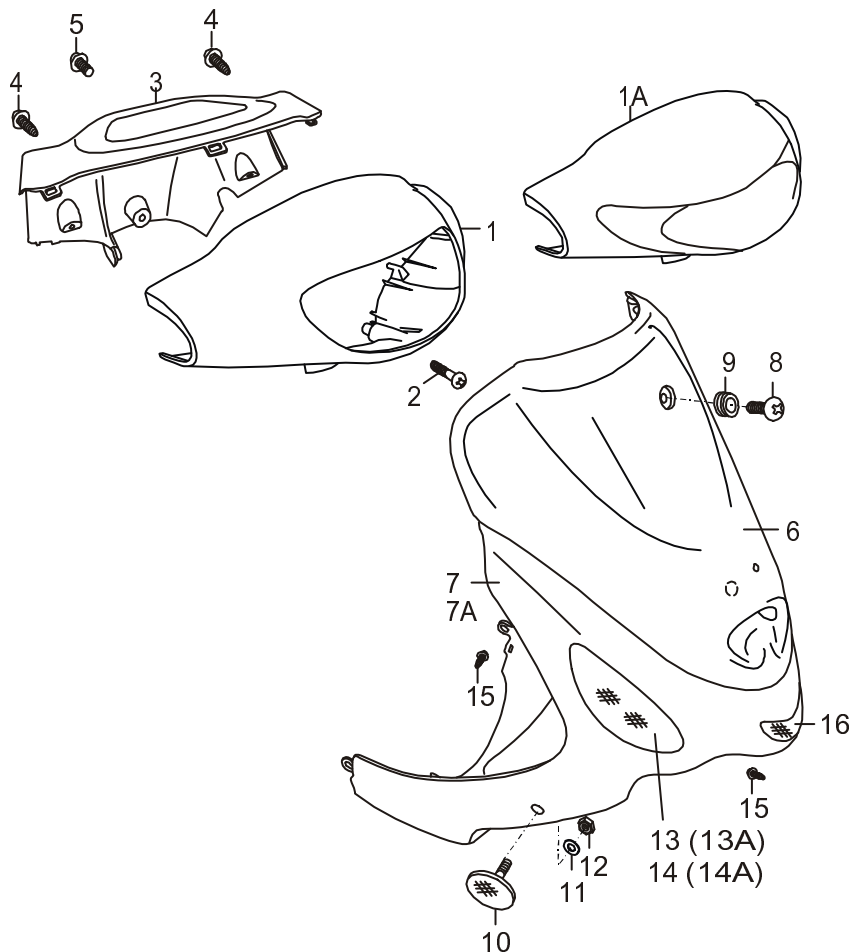
C10

FIG.C10

ПЕРЕДНИЙ ПЛАСТИК

Ref.No.	Part No.	Description	Q'ty	Remarks
1	56311QAGZ000 QM50QT-6.46-01	Cover, front handlebar	1	
1A	56311QAGZ030 QM50QT-6(III).46-01	Cover, front	1	
2	03411Q050201 GB/T818-2000	handlebar Screw	1	
3	56321QAGZ000 QM50QT-6.46-02	Cover, rear handlebar	1	
4	04010Q051205 GB/T845-1985	Screw ST4.8x12	2	
5	03411Q050122 GB/T818-2000	Screw M5x12	1	
6	48111QAGZ000 QM50QT-6.46-03	Shield leg front	1	
7	48137QAGZ000 QM50QT-6.46-05	Shield down	1	
7A	48137QAGZ010 QM50QT-6(I).46-1	Shield down	1	
8	09124Q060002	Screw M6x20	1	
9		Cushion	1	
10	35950QACC000 QM50QT-3M.74.1-00	Reflector assy	2	
11	05420Q022061 GB/T 97.1-1985	Washer 6	2	
12	05401Q012061 GB /T6170-2000	Nut M6	2	
13	35601QAGZ000 QM50QT-6.62.2.2-00	Front winker RH	1	
13A	35601QAGZ070 QM50QT-6.62.2.2-00	Front winker RH	1	
14	35602QAGZ000 QM50QT-6.62.2.1-00	Front winker LH	1	
14A	35602QAGZ000 QM50QT-6(III).62.2.1-00	Front winker LH	1	

FIG.C10



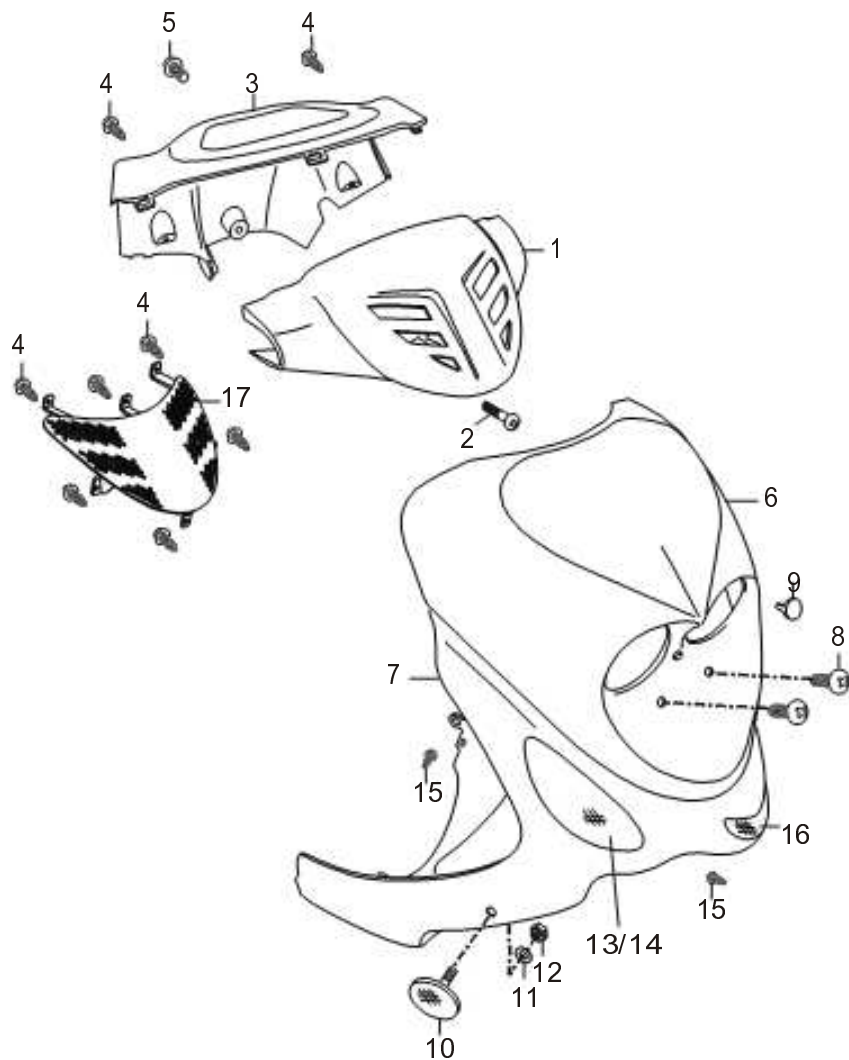
QM50QT-3E(G)

FIG.C10

ПЕРЕДНИЙ ПЛАСТИК

Ref.No.	Part No.	Description	Q'ty	Remarks
15	<u>040100041602</u> GB/T845-1985	Screw ST4.2x16	9	
16	<u>36101QAGZ000</u> QM50QT-6.62.4-00	Front position lamp	1	

FIG.C10A



QM50QT-3E(G)

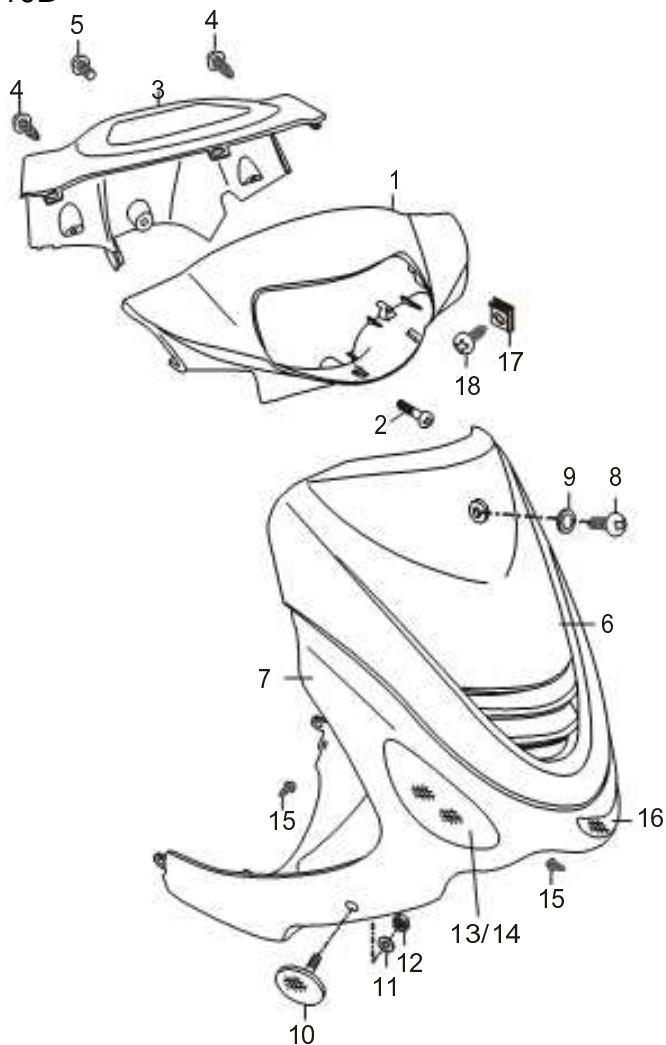
C10A

FIG.C10A

ПЕРЕДНИЙ ПЛАСТИК

Ref.No.	Part No.	Description	Q'ty	Remarks
1	56311QAGZ130 QM50QT-6(VIIA).46-01	Cover, front handlebar	1	
2	03411Q050201 GB/T818-2000	Screw M5x20	1	
3	56321QAGZ000 QM50QT-6.46-02	Cover, rear handlebar	1	
4	04010Q051205 GB/T845-1985	Screw ST4.8x12	8	
5	03411Q050162 GB/T818-2000	Screw M5x16	1	
6	48111QAGZ130 QM50QT-6(VIIIA).46-02	Shield leg front	1	
7	48137QAGZ120 QM50QT-6(VII).46-05	Shield down	1	
8	09124Q060002	Screw M6x20	2	
9	QM50QT-6(VIIA).46-03	Plug	1	
10	35950QACC000 QM50QT-3M.74.1-00	Reflector assy	2	
11	05420Q022061 GB/T 97.1-1985	Washer 6	2	
12	05401Q012061 GB /T6170-2000	Nut M6	2	
13	35601QAGZ130 QM50QT-6(VIIA ).62.2.2-00	Front winker RH	1	
14	35602QAGZ130 QM50QT-6(VIIA).62.2.1-00	Front winker LH	1	
15	04010Q041602 GB/T845	Screw ST4.2x16	9	
16	36101QAGZ130 QM50QT-6(VIIA).62.4-00	Front position lamp	1	
17	QM50QT-6(VIIA).46-03	Cover	1	

FIG.C10B



QM50QT-3E(G)

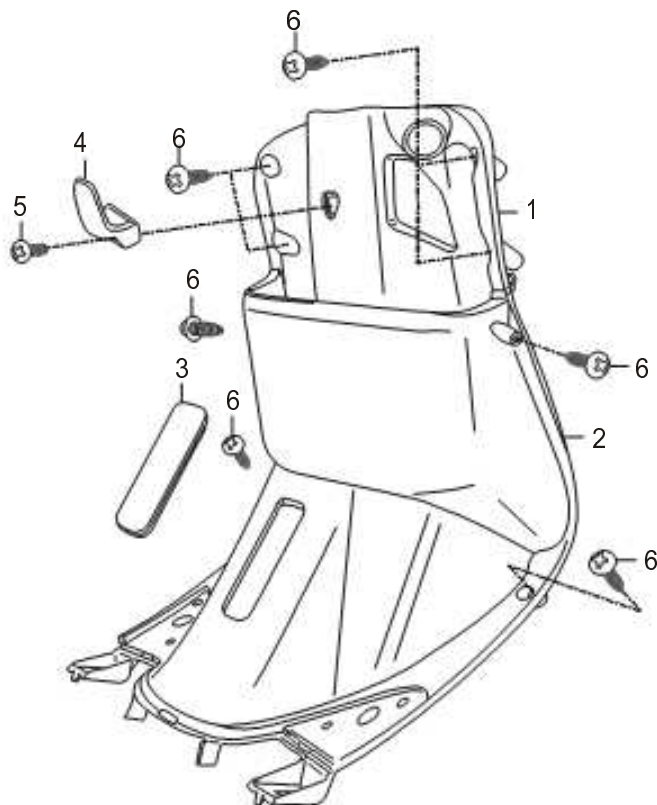
C10B

FIG.C10B

ПЕРЕДНИЙ ПЛАСТИК

Ref.No.	Part No.	Description	Q'ty	Remarks
1	<u>56311OAGZ160</u> QM50QT-6(X).46-01	Cover, front handlebar	1	
2	<u>03411O050201</u> GB/T818-2000	Screw M5x20	1	
3	<u>56321OAGZ160</u> QM50QT-6(X).46-02	Cover, rear handlebar	1	
4	<u>04010Q051205</u> GB/T845-1985	Screw ST4.8x12	8	
5	<u>03411O050162</u> GB/T818-2000	Screw M5x16	1	
6	<u>48111OAGZ160</u> QM50QT-6(X).46-02	Shield leg front	1	
7	<u>48137OAGZ120</u> QM50QT-6(VII).46-05	Shield down	1	
8	09124Q060002	Screw M6x20	2	
9		Cushion	2	
10	<u>35950OACC000</u> QM50QT-3M.74.1-00	Reflector assy	2	
11	<u>05420O022061</u> GB/T 97.1-1985	Washer 6	2	
12	<u>05401O012061</u> GB /T6170-2000	Nut M6	2	
13	<u>35601OAGZ130</u> QM50QT-6(VIIA).62.2.2-00	Front winker RH	1	
14	<u>35602OAGZ130</u> QM50QT-6(VIIA).62.2.1-00	Front winker LH	1	
15	<u>04010Q041602</u> GB/T845	Screw ST4.2x16	9	
16	<u>36101OAGZ130</u> QM50QT-6(VIIA).62.4-00	Front position lamp	1	
17	09148Q050001	Nut clip M5	2	
18	<u>04010Q041302</u> GB/T845-1985	Screw ST4.2x13	2	

FIG.C11



C11

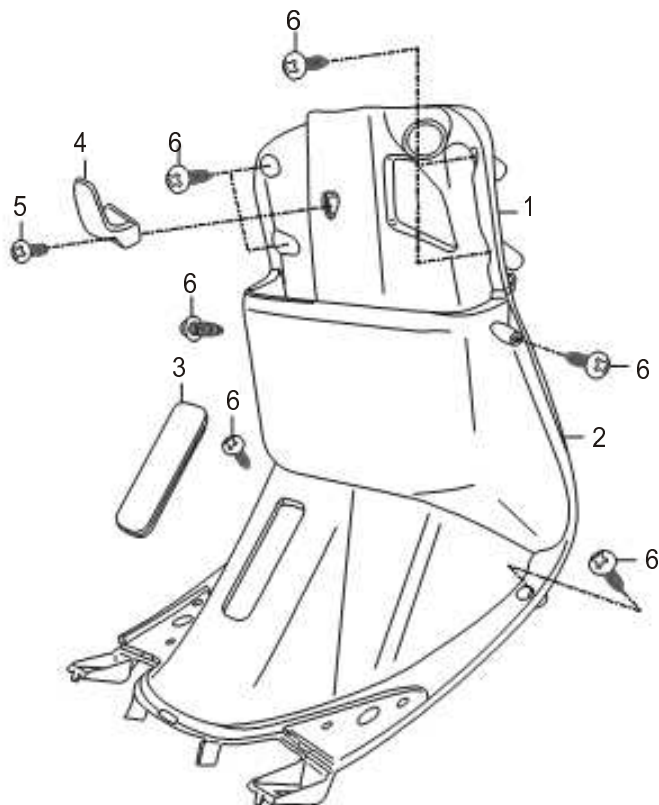
FIG.C11

ВНУТРЕННИЙ ПЛАСТИК

Ref.No.	Part No.	Description	Q'ty	Remarks
1	<u>92111QAGZ000</u> QM50QT-6.46.1-01	Shield inner, upper	1	
2	<u>92112QAGZ000</u> QM50QT-6.46.1-02	Shield inner, down	1	
3	<u>92121QAGZ000</u> QM50QT-6.46.1-03	Lid leg shield	1	
4	<u>47189QAGZ000</u> QM50QT-6.46-18	Hook luggage	1	
5	09124Q060002	Screw M6x12	1	
6	<u>04010Q041302</u> GB/T845-1985	Screw ST4.2x13	16	

QM50QT-3E(G)

FIG.C11A



C11A

FIG.C11A

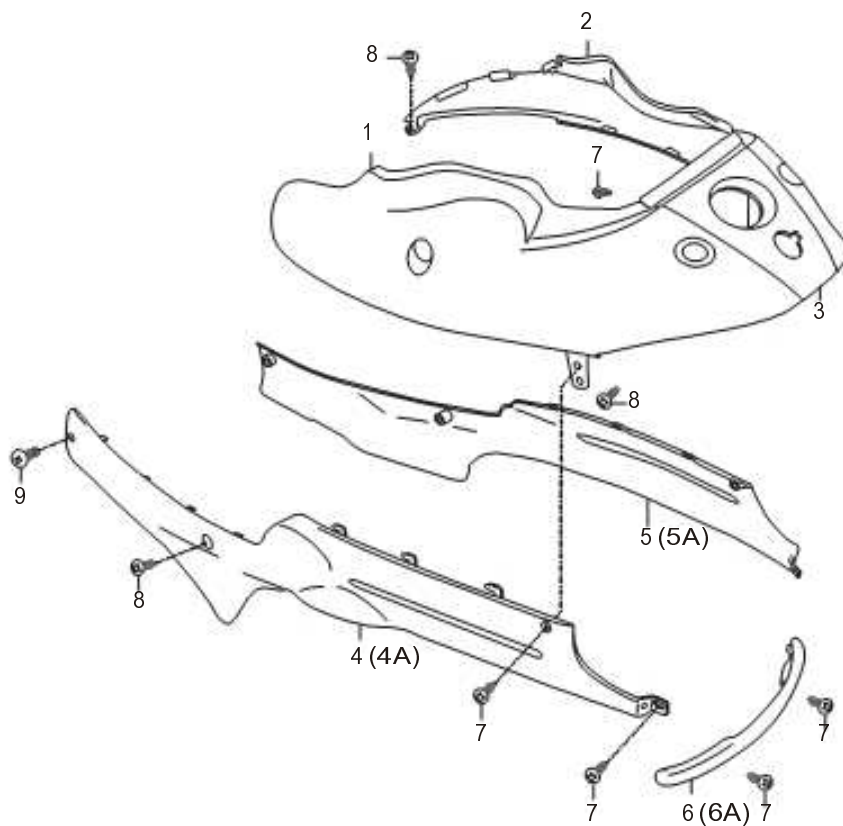
ВНУТРЕННИЙ ПЛАСТИК

Ref.No.	Part No.	Description	Q'ty	Remarks
1	<u>92111OAGZ120</u> QM50QT-6(VII).46.1-01	Shield inner, upper	1	
2	<u>92112QAGZ120</u> QM50QT-6(VII).46.1-02	Shield inner, down	1	
3	<u>92121QAGZ000</u> QM50QT-6.46.1-03	Lid leg shield	1	
4	<u>47189OAGZ000</u> QM50QT-6.46-18	Hook luggage	1	
5	09124Q060002	Screw M6x12	1	
6	<u>04010Q041302</u> GB/T845-1985	Screw ST4.2x13	16	

QM50QT-3E(G)



FIG.C12



QM50QT-3E(G)

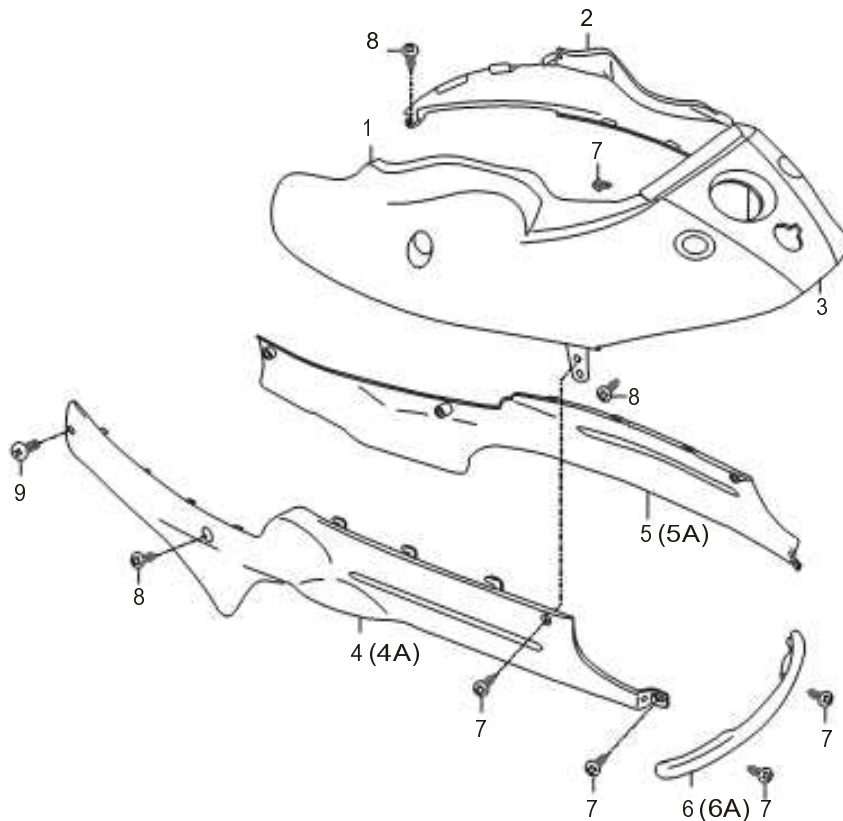
C12

FIG.C12

БОКОВОЙ ПЛАСТИК

Ref.No.	Part No.	Description	Q'ty	Remarks
1	47211QAGZ000 QM50QT-6.46-10	Cover body, LH	1	
2	47111QAGZ000 QM50QT-6.46-11	Cover body, RH	1	
3	47321QAGZ000 QM50QT-6.46-12	Cover Rr. center	1	
4	47231QAGZ000 QM50QT-6.46-14	Side regula, LH	1	
4A	47231QAGZ010 QM50QT-6(1).46-2	Side regula, LH	1	
5	47131QAGZ000 QM50QT-6.46-13	Side regula, RH	1	
5A	47131QAGZ010 QM50QT-6(1).46-3	Side regula, RH	1	
6	47331QAGZ000 QM50QT-6.46-20	Mold Rr. center	1	
6A	47331QAGZ010 QM50QT-6(1).46-4	Mold Rr. center	1	
7	04010Q041602 GB/T845-1985	Screw ST4.2x16	10	
8	04010Q051602 GB/T845-1985	Screw ST4.8x16	6	
9	03414Q161402 GB/T9074.1-2002	Screw M6x14	2	

FIG.C12A



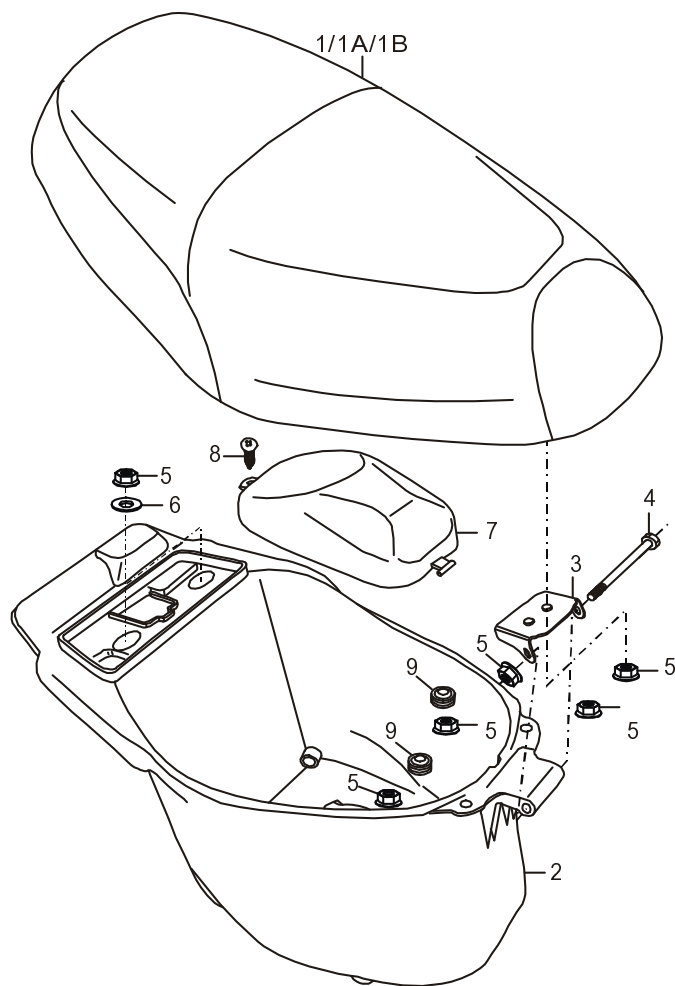
C12A  
FIG.C12A

БОКОВОЙ ПЛАСТИК

Ref.No.	Part No.	Description	Q'ty	Remarks
1	<u>47211QAGZ120</u> QM50QT-6(VII).46-10	Cover body, LH	1	
2	<u>47111QAGZ120</u> QM50QT-6(VII).46-11	Cover body, RH	1	
3	<u>47321QAGZ120</u> QM50QT-6(VII).46-12	Cover Rr. center	1	
4	<u>47231QAGZ120</u> QM50QT-6(VII).46-2	Side regula, LH	1	
5	<u>47131QAGZ120</u> QM50QT-6(VII).46-3	Side regula, RH	1	
6	<u>47331QAGZ120</u> QM50QT-6(VII).46-4	Mold Rr. center	1	
7	<u>04010Q041602</u> GB/T845-1985	Screw ST4.2x16	10	
8	<u>04010Q051602</u> GB/T845-1985	Screw ST4.8x16	6	
9	<u>03414Q161402</u> GB/T9074.1-2002	Screw M6x14	2	

QM50QT-3E(G)

FIG.C13



QM50QT-3E(G)

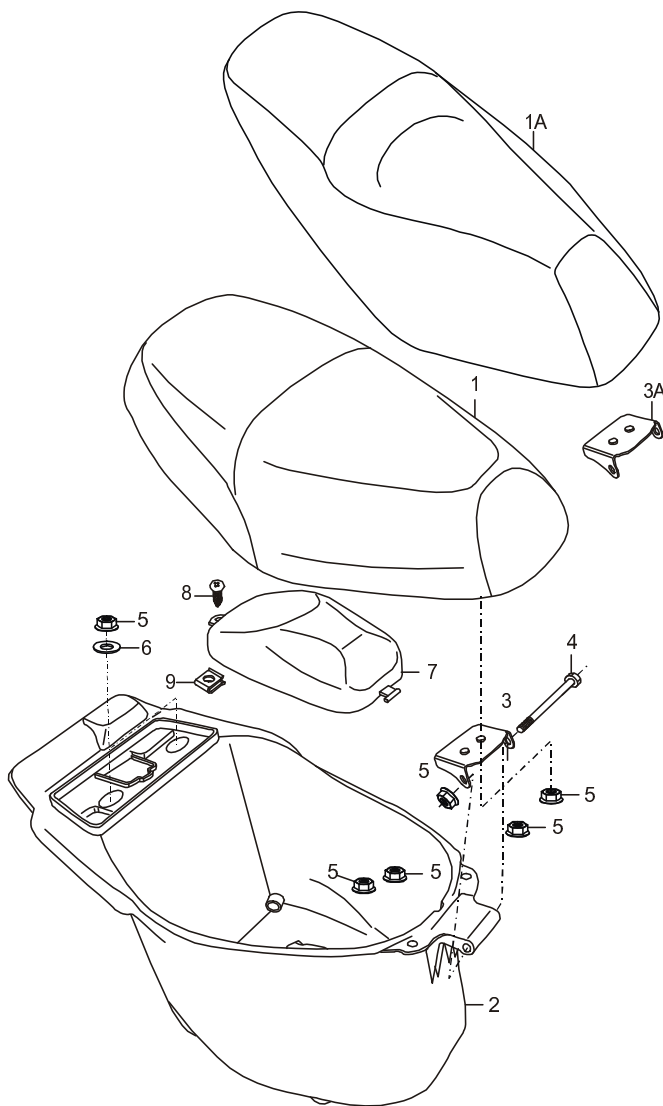
C13

FIG.C13

СИДУШКА

Ref.No.	Part No.	Description	Q'ty	Remarks
1	45100QAGZ000 QM50QT-6.36-00	Seat assy	1	
1A	45100QAGZ060 QM50QT-6(VI).36-00	Seat assy	1	
1B	45100QAGZ010 QM50QT-6 ( I ) .36-	Seat assy	1	
2	00 92211QAGZ000 QM50QT-6.46-16	Box luggage	1	
3	45191QAGZ000 QM50QT-6.36-07	Hinge, seat	1	
4	45273QAGZ000 QM50QT-6.36-08	Pin	1	
5	05404Q011064 GB/T6177.1-2000	Nut M6	7	
6	05420Q011065 GB/T95-2000	Washer 6	2	
7	92212QAGZ000 QM50QT-6.46-17	Cover above carburetor	1	
8	04010Q041302 GB/T845-1985	Screw ST4.2x13	1	
9	92221QAGZ000 QM50QT-6.99-27	Rubber plug	2	

FIG.C13A



QM50QT-3E(G)

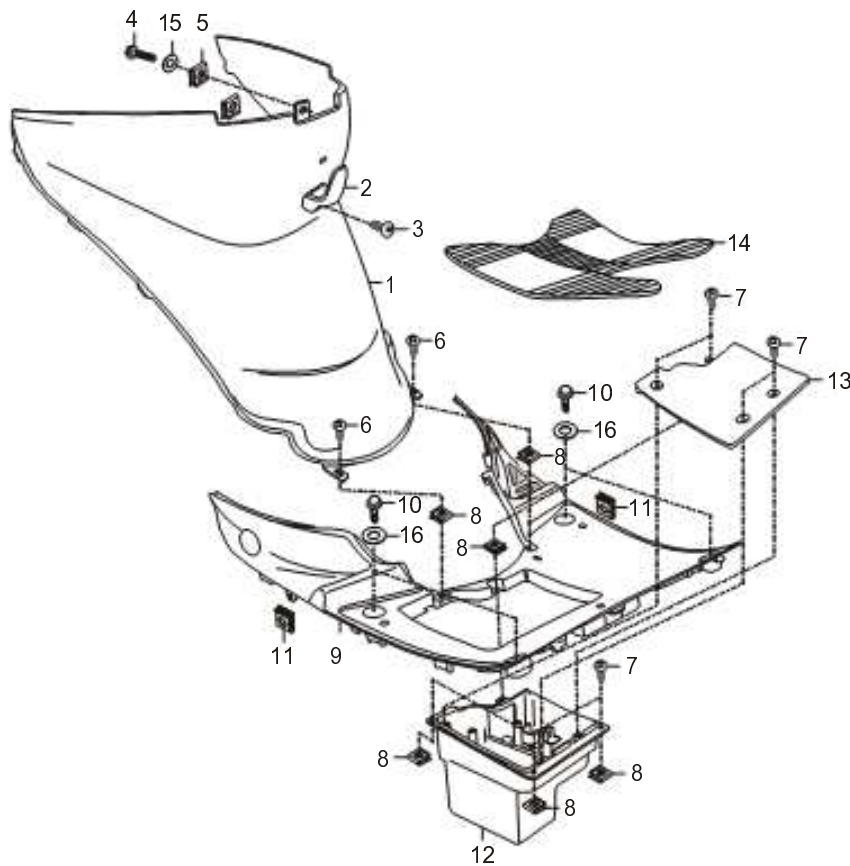
C13A

FIG.C13A

СИДУШКА

Ref.No.	Part No.	Description	Q'ty	Remarks
1	45100QAGZ000 QM50QT-6.36-00	Seat assy	1	
1A	45100QAGZ150 QM50QT-6(IX).36-00	Seat assy	1	
2	92211QAGZ120 QM50QT-6(VII).46-16	Box luggage	1	
3	45191QAGZ000 QM50QT-6.36-07	Hinge, seat	1	
3A	45191QAGZ150 QM50QT-6(IX).36-07	Hinge, seat	1	
4	45273QAGZ000 QM50QT-6.36-08	Pin	1	
5	05404Q011064 GB/T6177.1-2000	Nut M6	7	
6	05420Q011065 GB/T95-2000	Washer 6	2	
7	92212QAGZ120 QM50QT-6(VII).46-17	Cover above carburetor	1	
8	04010Q041302 GB/T845-1985	Screw ST4.2x13	1	
9	09148Q050001	Nut clip M5	1	

FIG.C14



C14

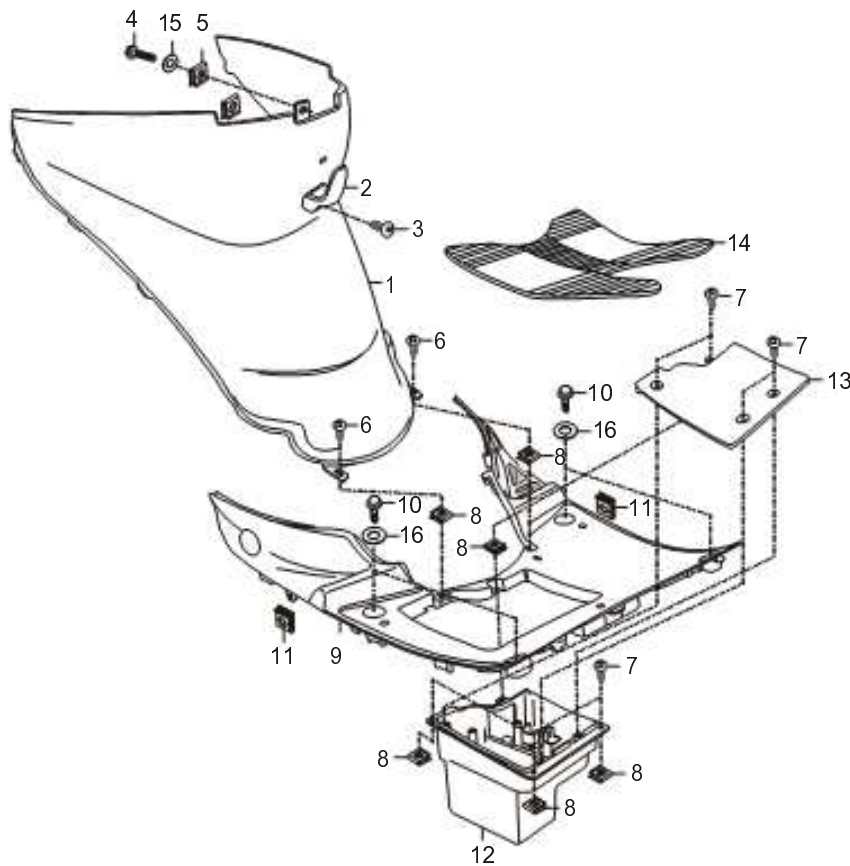
FIG.C14

ПАНЕЛЬ ПОЛА

Ref.No.	Part No.	Description	Q'ty	Remarks
1	<u>47351OAGZ000</u> QM50QT-6.46-09	Cover, center	1	
2	<u>92519QAGZ000</u> QM50QT-6.46-19	Hook, helmet	1	
3	09124Q060004	Screw M6x16	1	
4	<u>01401Q060201</u> GB/T5781-2000	Bolt M6x25	1	
5	09148Q060001	Nut clip M6	2	
6	<u>04010Q051602</u> GB/T845-1985	Screw ST4.8x16	2	
7	<u>04010Q041302</u> GB/T845-1985	Screw ST4.2x13	7	
8	<u>09148Q040001</u> QM50T-7.38-3	Nut clip	6	
9	<u>48121OAGZ000</u> QM50QT-6.46-06	Floor panel	1	
10	<u>02104Q060202</u> GB/T9074.1-2004	Bolt washer M6x20	4	
11	09148Q050001	Nut clip M5	2	
12	<u>33641OAGZ000</u> QM50QT-6.46-07	Box battery	1	
13	<u>33642OAGZ000</u> QM50QT-6.46-08	Cover battery	1	
14	<u>43551OAGZ000</u> QM50QT-6.46-28	Mat, floor	1	
15	<u>05420Q051061</u> GB/T96-1985	Washer 6	1	
16	<u>05420Q051062</u> GB/T96-1985	Washer 6	4	

QM50QT-3E(G)

FIG.C14A



C14A

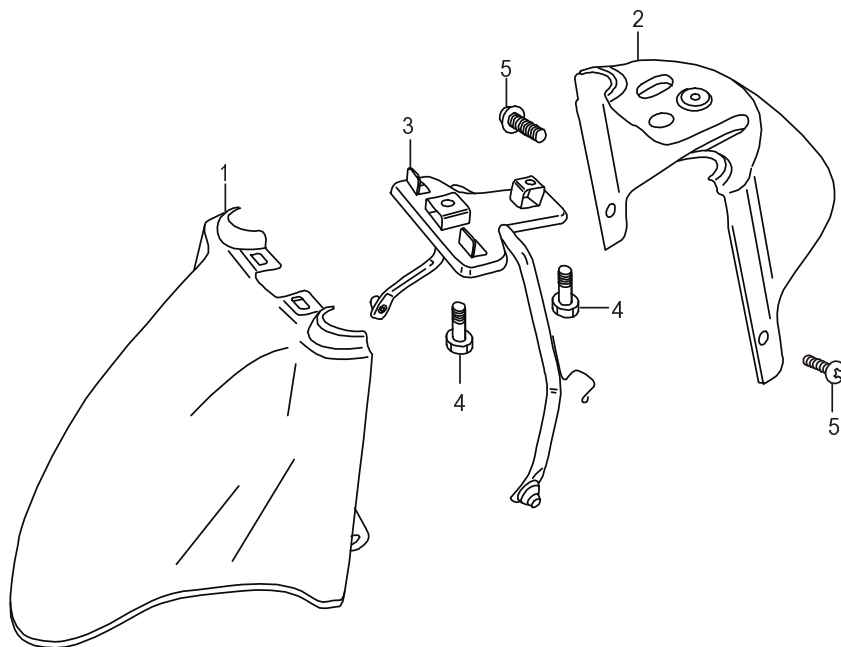
FIG.C14A

ПАНЕЛЬ ПОЛА

Ref.No.	Part No.	Description	Q'ty	Remarks
1	<u>47351OAGZ120</u> QM50QT-6(VII).46-09	Cover, center	1	
2	<u>92519QAGZ000</u> QM50QT-6.46-19	Hook, helmet	1	
3	09124Q060004	Screw M6x16	1	
4	<u>01401Q060201</u> GB/T5781-2000	Bolt M6x25	1	
5	09148Q060001	Nut clip M6	2	
6	<u>04010Q051602</u> GB/T845-1985	Screw ST4.8x16	2	
7	<u>04010Q041302</u> GB/T845-1985	Screw ST4.2x13	7	
8	<u>09148Q040001</u> QM50T-7.38-3	Nut clip	6	
9	<u>48121OAGZ120</u> QM50QT-6(VII).46-06	Floor panel	1	
10	<u>02104Q060202</u> GB/T9074.1-2004	Bolt washer M6x20	4	
11	09148Q050001	Nut clip M5	2	
12	<u>33641OAGZ000</u> QM50QT-6.46-07	Box battery	1	
13	<u>33642OAGZ120</u> QM50QT-6(VII).46-08	Cover battery	1	
14	<u>43551QAGZ120</u> QM50QT-6(VII).46-28	Mat, floor	1	
15	<u>05420Q051061</u> GB/T96-1985	Washer 6	1	
16	<u>05420Q051062</u> GB/T96-1985			

QM50QT-3E(G)

FIG.C15



C15

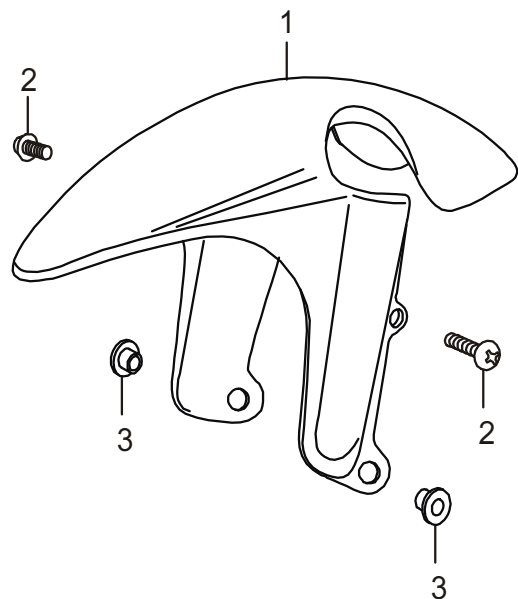
FIG.C15

КРЫЛО ПЕРЕДНЕЕ

Ref.No.	Part No.	Description	Q'ty	Remarks
1	<u>531110AGZ000</u> QM50QT-6.37-01	Fender Fr (front portion)	1	
2	<u>531220AGZ000</u> QM50QT-6.37-02	Fender Fr (rear portion)	1	
3	<u>531300AGZ000</u> QM50QT-6.31.2-00	Stay front fender	1	
4	09129Q060002	Screw M6x16	1	
5	<del>03411Q060161</del> GB/T818-2000	Screw M6x16	2	

QM50QT-3E(G)

FIG.C15A



C15A  
FIG.C15A

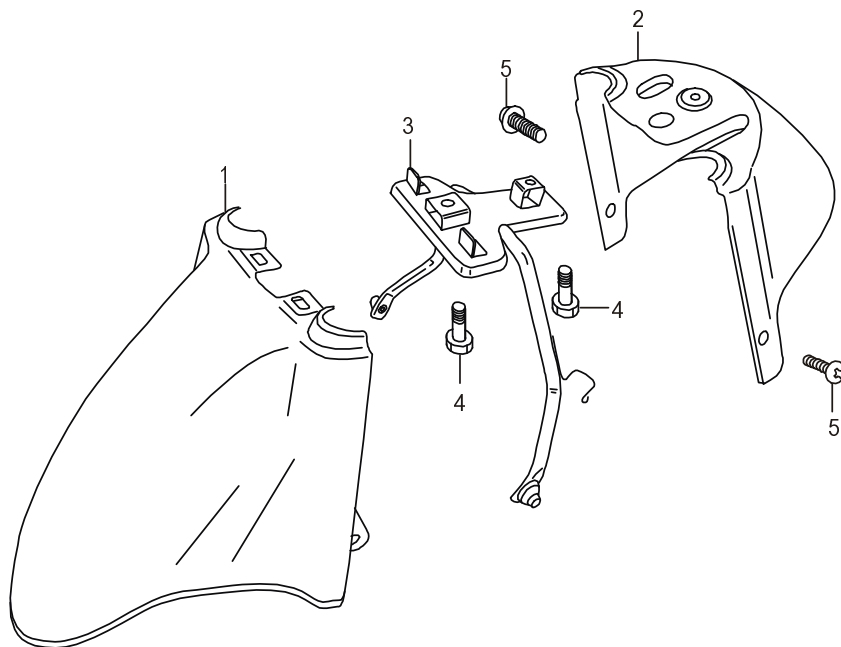
КРЫЛО ПЕРЕДНЕЕ

Ref.No.	Part No.	Description	Q'ty	Remarks
1	<u>53111QAGZ060</u> QM50QT-6(VI).37-1	Front fender	1	
2	<u>03411Q060161</u> GB/T818-2000	Screw M6x16	2	
3	<u>53111QAGZ060</u> QM50QT-6(VI).37-2	Bush	2	

QM50QT-3E(G)



FIG.C15B



C15B

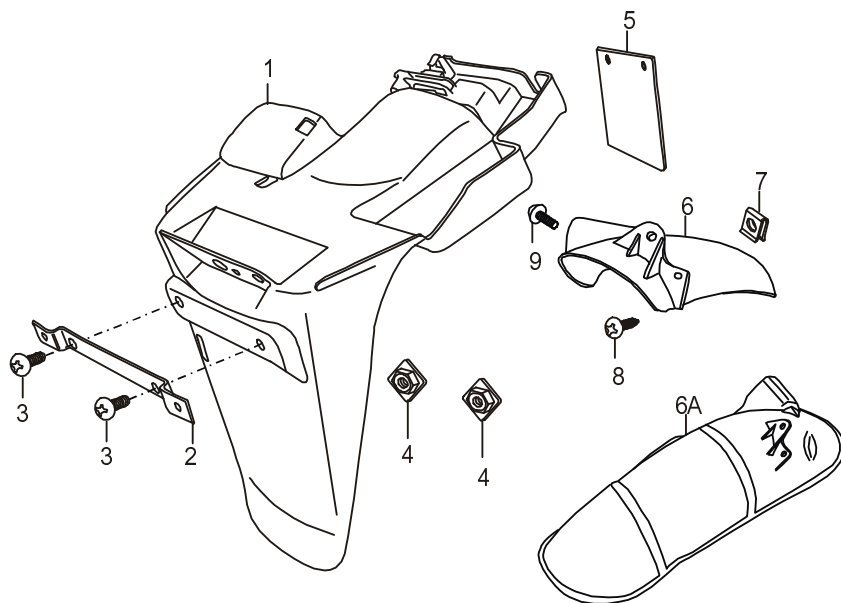
FIG.C15B

КРЫЛО ПЕРЕДНЕЕ

Ref.No.	Part No.	Description	Q'ty	Remarks
1	<del>531110AGZ120</del> QM50QT-6(VII).37-01	Fender Fr (front portion)	1	
2	<del>53122QAGZ120</del> QM50QT-6(VII).37-02	Fender Fr (rear portion)	1	
3	<del>53130QAGZ000</del> QM50QT-6.31.2-00	Stay front fender	1	
4	09129Q060002	Screw M6x16	1	
5	<del>03411Q060161</del> GB/T818-2000	Screw M6x16	2	

QM50QT-3E(G)

FIG.C16



QM50QT-3E(G)

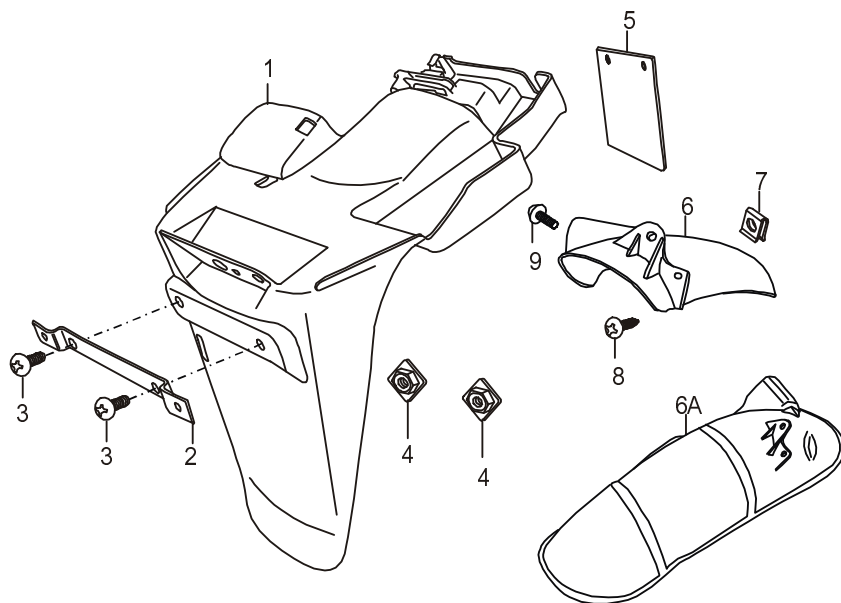
C16

FIG.C16

КРЫЛО ЗАДНЕЕ

Ref.No.	Part No.	Description	Q'ty	Remarks
1	<u>631110AGZ000</u> QM50QT-6.38-01	Rear fender	1	
2	<u>96720QJLZ000</u> QS90.99.1.1-00	Bracket, license plate	1	
3	09124Q060004	Screw	2	
4	<u>96730QJLZ000</u> QS90.99.1.2-00	Nut	2	
5	<u>63412QAGZ000</u> QM50QT-6.99-30	Mudguard	1	
6	<u>63421QAGZ000</u> QM50QT-6.38-02	Small fender	1	
6A	<u>63421QAGZ000</u> QM50QT-6.38-02	Small fender	1	
7	<u>09148Q040001</u> QM50T-7.38-3	Nut M4	1	
8	<u>04010Q041602</u> GB/T845-1985	Screw ST4.2x16	1	
9		Screw M6x16	1	

FIG.C16A



QM50QT-3E(G)

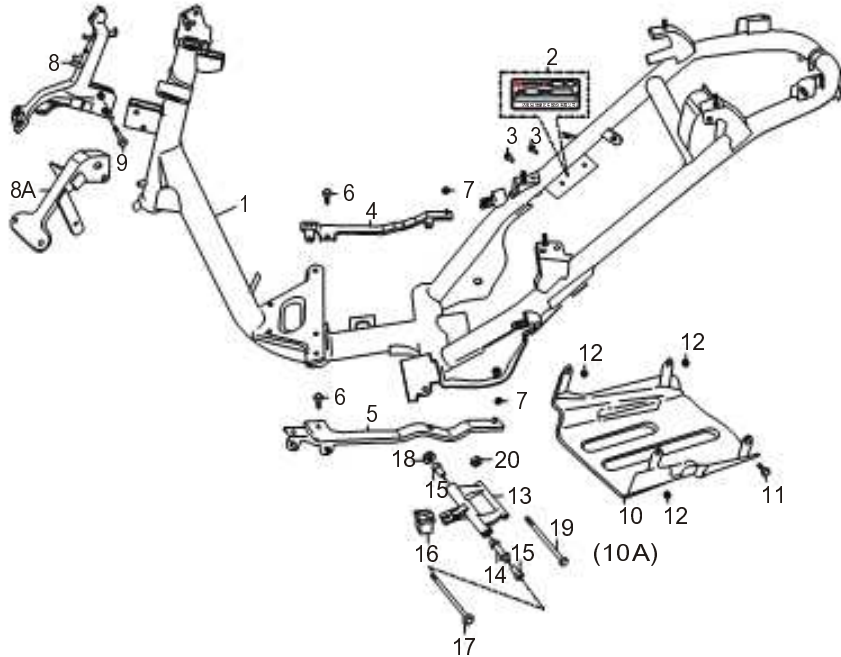
C16A

FIG.C16A

КРЫЛО ЗАДНЕЕ

Ref.No.	Part No.	Description	Q'ty	Remarks
1	<u>631110AGZ000</u> QM50QT-6.38-01	Rear fender	1	
2	<u>96720QJLZ000</u> QS90.99.1.1-00	Bracket, license plate	1	
3	09124Q060004	Screw	2	
4	<u>96730QJLZ000</u> QS90.99.1.2-00	Nut	2	
5	<u>63412QAGZ000</u> QM50QT-6.99-30	Mudguard	1	
6	<u>63421QAGZ000</u> QM50QT-6.38-02	Small fender	1	
6A	<u>634210AGZ000</u> QM50QT-6.38-02	Small fender	1	
7	<u>09148Q040001</u> QM50T-7.38-3	Nut M4	1	
8	<u>04010Q041602</u> GB/T845-1985	Screw ST4.2x16	1	
9		Screw M6x16	1	

FIG.C17



QM50QT-3E(G)

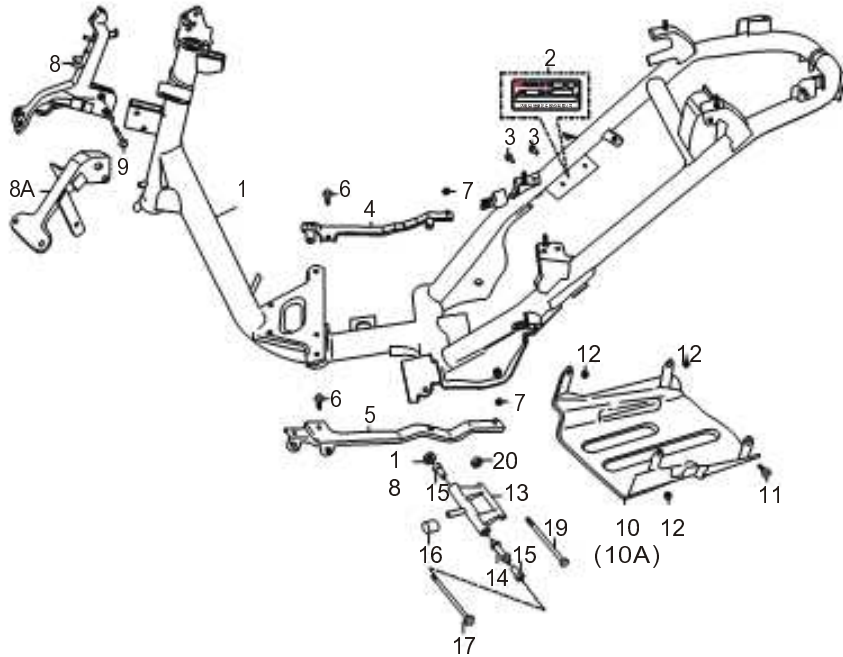
C17

FIG.C17

PAMA

Ref.No.	Part No.	Description	Q'ty	Remarks
1	<u>41100QAC5000</u> QM50QT-3E.30.1-00	Body comp, frame	1	
2	09600Q000001	Frame brand	1	
3	<u>05011O220051</u> GB/T827-1986	Rivet	2	
4	<u>41731QAGZ000</u> QM50QT-6.30.7-00	Support, right floor	1	
5	<u>41732QAGZ000</u> QM50QT-6.30.6-00	Support, left floor	1	
6	<u>02104Q060122</u> GB/T16674.1-2004	Bolt M6x12	2	
7	<u>05404O012062</u> GB/T6177.1-2000	Nut M6	2	
8	<u>41150QAGZ000</u> QM50QT-6.30.2-00	Stay, front cover	1	
8A	<u>41150QAGZ130</u> QM50QT-6(VIII A).30.2-00	Stay, front cover	1	
9	<u>01112Q060351</u> GB/T9074.11-1988	Bolt M6x35	2	
10	<u>48127QAGZ000</u> QM50QT-6.46-04	Cover, under	1	
10A	<u>48127QAGZ120</u> QM50QT-6(VI).46-04	Cover, under	1	
11	<u>02104Q060122</u> GB/T16674.1-2004	Bolt M6x12	1	
12	<u>05404O012062</u> GB/T6177.1-2000	Nut M6	3	
13	<u>41101QAC5010</u> QM50QT-3E(G).30.2-00	Swing arm assy, engine mounting	1	
14		Bush	1	
15		Spacer	2	
16		Cushion,	1	

FIG.C17



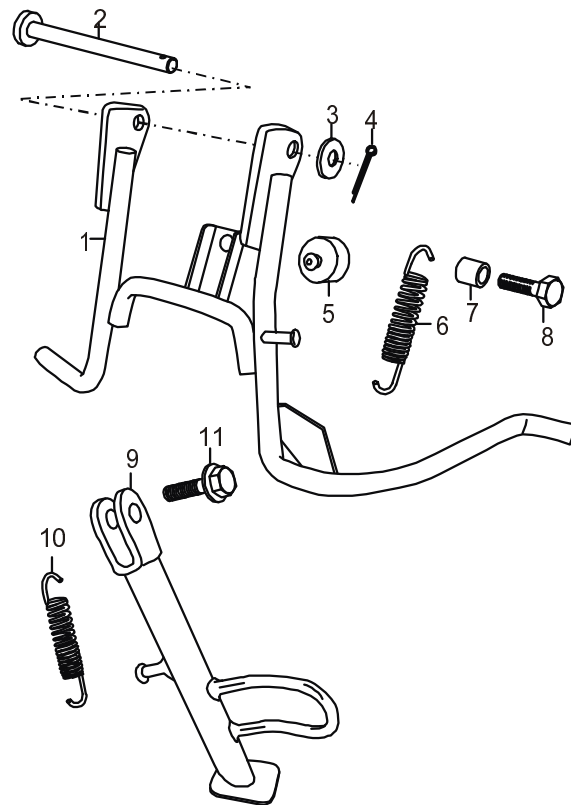
C17  
FIG.C17

PAMA

Ref.No.	Part No.	Description	Q'ty	Remarks
17	41188QAGZ000 QM50QT-6.30-3	Bolt	1	
18	05409Q091101 GB/T6187.2-2000	Nut M10x1.25	1	
19		Bolt M12x180	1	
20		Nut M12	1	

QM50QT-3E(G)

FIG.C18



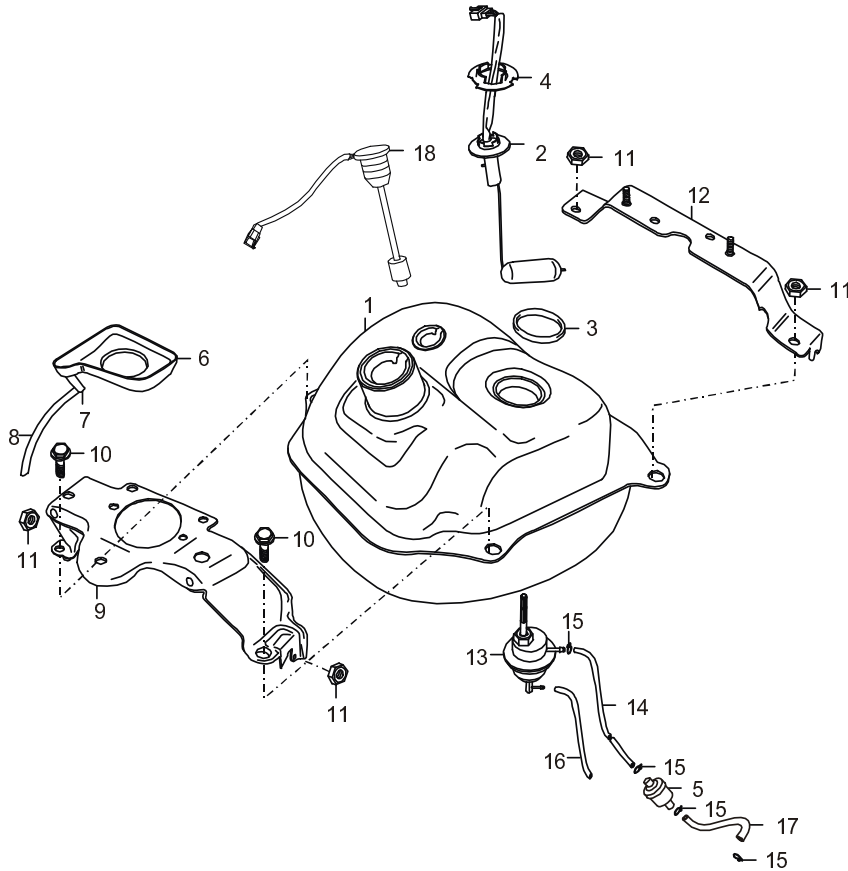
C18  
FIG.C18

ПОДНОЖКИ

Ref.No.	Part No.	Description	Q'ty	Remarks
1	<u>42110QDAZ000</u> AG100.41.1-00	Central stand comp.	1	
2	<u>422110QDAZ000</u> AG100.41.1-08	Axle, stand center	1	
3		Washer	1	
4	04411Q250121	Pin	1	
5	<u>09321Q100002</u> QM50QW.41-03	Cushion	1	
6	<u>09443Q150001</u> AG100.41-07	Spring, central stand	1	
7		Nut M6	1	
8		Bolt M6x32	1	
9	42310QAGZ000 QM50QT-6.81.T-00	Side stand comp.	1	
10		Spring, side stand	1	
11		Bolt, side stand M8x24	1	

QM50QT-3E(G)

FIG.C19



QM50QT-3E(G)

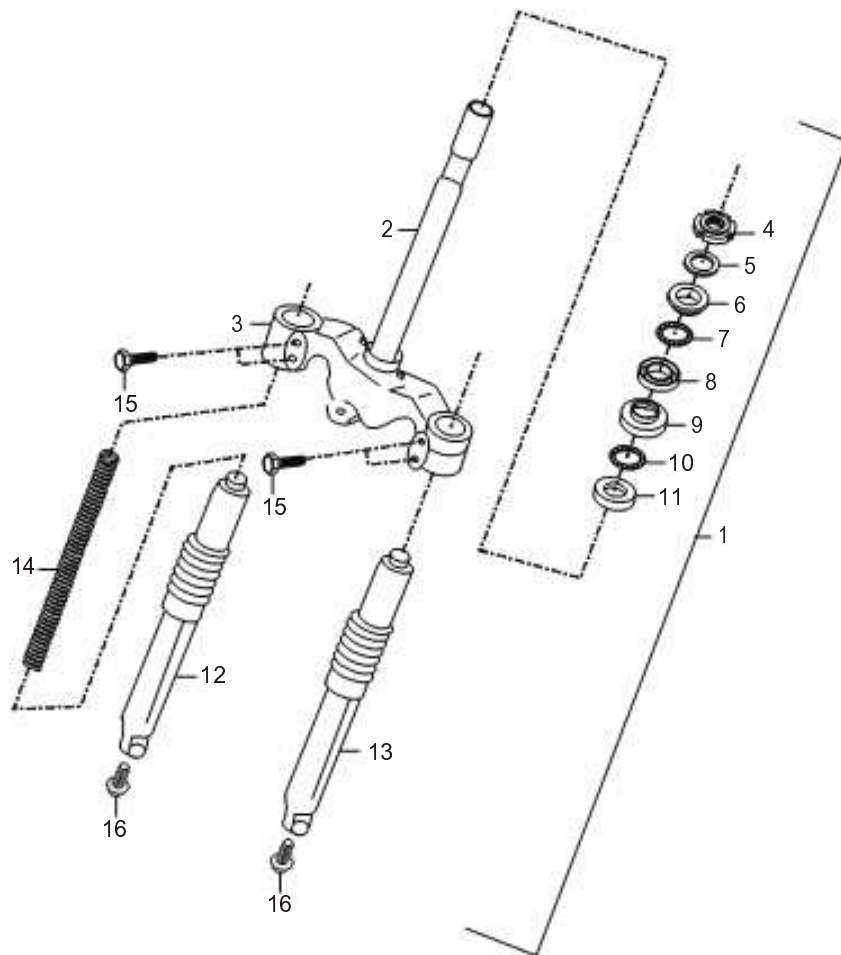
C19

FIG.C19

БЕНЗОБАК

Ref.No.	Part No.	Description	Q'ty	Remarks
1	<u>44110OAC5000</u> QM50QT-3E.44.1-00	Fuel tank comp	1	
2	<u>34801OAGZ000</u> QM50QT-6.64.3-00	Gauge assy, fuel tank	1	
3	<u>34825ODA1000</u> QM100T-A.44-2	Packing	1	
4	<u>44587QDA1000</u>	Bracket, gauge assy	1	
5	<u>44360QKG3000</u> QM100-7C.44.3-00	Filter, fuel	1	
6	<u>44261OAGZ000</u> QM50QT-6.99-29	Plate, fuel guide	1	
7	<u>09367Q040002</u> QM50QT-6.99-21	Joint cock	1	
8	<u>44269QAGZ000</u> QM50QT-6.99-20	Tube, fuel cap	1	
9	<u>44571OAGZ000</u> QM50QT-6.30.4-00	Back holder, fuel tank	1	
10	<u>02104Q060252</u> GB/T16674.1-2004	Bolt M6x25	2	
11	<u>05404Q012062</u> GB/T6177.1-2000	Nut M6	4	
12	<u>44561OAGZ000</u> QM50QT-6.30.3-00	Bracket, seat catch	1	
13	<u>44300OAGZ000</u> QM50QT-6.44.4-00	Switch assy, fuel tank	1	
14	<u>44424QAGZ000</u> QM50QT-6.44-01	Hose	1	
15	<u>09401Q084001</u> GS125.44-5	Clamp, oil hose	4	
16	<u>44425QAGZ000</u> QM50QT-6.44-02	Hose	1	
17		Hose	1	
18	<u>37880OAC5000000</u> QM50QT-3E.77.2-00	Gauge assy, oil tank	1	

FIG.C20



QM50QT-3E(G)

C20

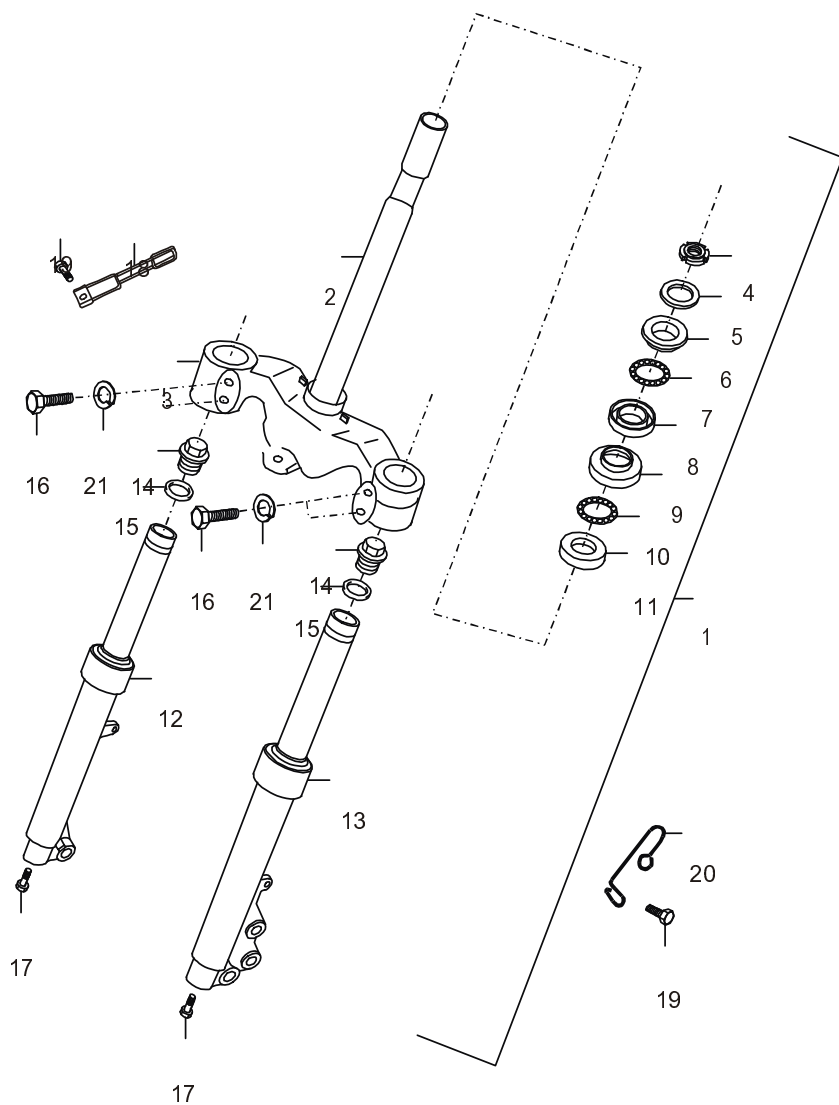
FIG.C20

ПЕРЕДНЯЯ ВИЛКА

Ref.No.	Part No.	Description	Q'ty	Remarks
1	<u>51100QAGZ000</u> QM50QT-6.31.1-00	Front fork	1	
2	<u>51106QAGZ000</u> QM50QT-6.31.1.2-00	Stem comp, steering	1	
3	<u>51410QAGZ000</u> QM50QT-6.31.1.1-00	Head, steering stem	1	
4	<u>51631QAFZ000</u> QM50T-7.31-1 09166Q210001 QM50T-7.31-2	Nut, stem lock	1	
5	<u>51621QAFZ000</u> QM50T-7.31-3	Washer	1	
6	<u>05450Q005011</u> GB308-89	Race, steering outer, upper	1	
7	<u>51611QAFZ000</u> QM50T-7.31-4	Ball	24	
8	<u>51612QAGZ000</u> QM50QT-6.30-01	Race, steering inner, upper	1	
9	<u>05450Q002011</u> GB 308-89	Race, steering inner, lower	1	
10	<u>51622QAGZ000</u> QM50QT-6.31.1-01	Ball	26	
11	<u>51131QAGZ000</u> QM50QT-6.31.1.3-2	Race, steering outer, lower	1	
12	<u>51141QAGZ000</u> QM50QT-6.31.1.3-1	Fork assy. RH	1	
13	<u>51171QAGZ000</u> QM50QT-6.31.1-02	Fork assy. LH	1	
14	<u>02104Q080401</u>	Spring	2	
15	<u>GB/T16674.1-2004</u> 03614Q008251 GB/T70.1-2000	Bolt M8x40	4	
16	<u>03614Q008251</u> GB/T70.1-2000	Screw M8x25	2	



FIG.C20A



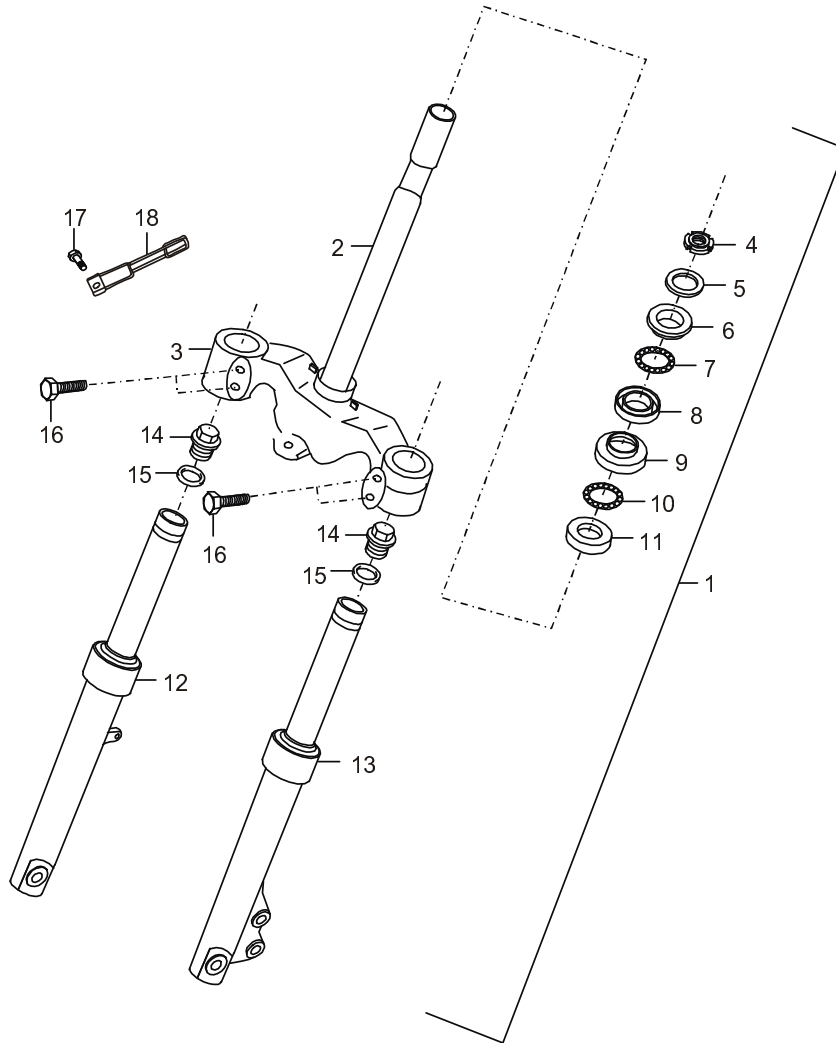
QM50QT-3E(G)

C20A

FIG.C20A ПЕРЕДНЯЯ ВИЛКА (ДИСКОВЫЙ ТОРМОЗ)

Ref.No.	Part No.	Description	Q'ty	Remarks
1	51000QAGZ030 QM50QT-6(III).31-00	Front fork	1	
2	51106QAGZ000 QM50QT-6.31.1.2-00	Stem comp, steering	1	
3	51410QAGZ030 QM50QT-6(III).31.4-00	Head, steering stem	1	
4	51631QACC000 QM50QT-3M.31-01	Nut, stem lock	1	
5	09166Q210001 QM50T-7.31-2	Washer	1	
6	51621QACC000 QM50QT-3M.31-02	Race, steering outer, upper	1	
7	05450Q005011 GB308-89	Ball	18	
8	51611QACC000 QM50QT-3M.31-03	Race, steering inner, upper	1	
9	51612QAGZ000 QM50QT-6.30-01	Race, steering inner, lower	1	
10	05450Q002011 GB 308-89	Ball	26	
11	51622QAGZ000 QM50QT-6.31.1-01	Race, steering outer, lower	1	
12	51130QAGZ030 QM50QT-6(III).31.2-00	Fork assy. RH	1	
13	51140QAGZ030 QM50QT-6(III).31.3-00	Fork assy. LH	1	
14	51113QAGZ030 QM50QT-6(III).31.2-01	Bolt	2	
15	51117QAGZ030 QM50QT-6(III).31.2-02	O ring	2	
16	02104Q080451	Bolt M8x45	4	
17	03614Q008251 GB/T70.1-2000	Screw M8x25	2	
18	51453QAGZ030 QM50QT-6(III).31-1	Clamp	1	
19	01601Q060201 GB/T5783-2000	Bolt M6x20	2	
20	51283QAGZ030	Clamp	1	
21	GB/T93-1988	Washer 8	2	

FIG.C20B



QM50QT-3E(G)

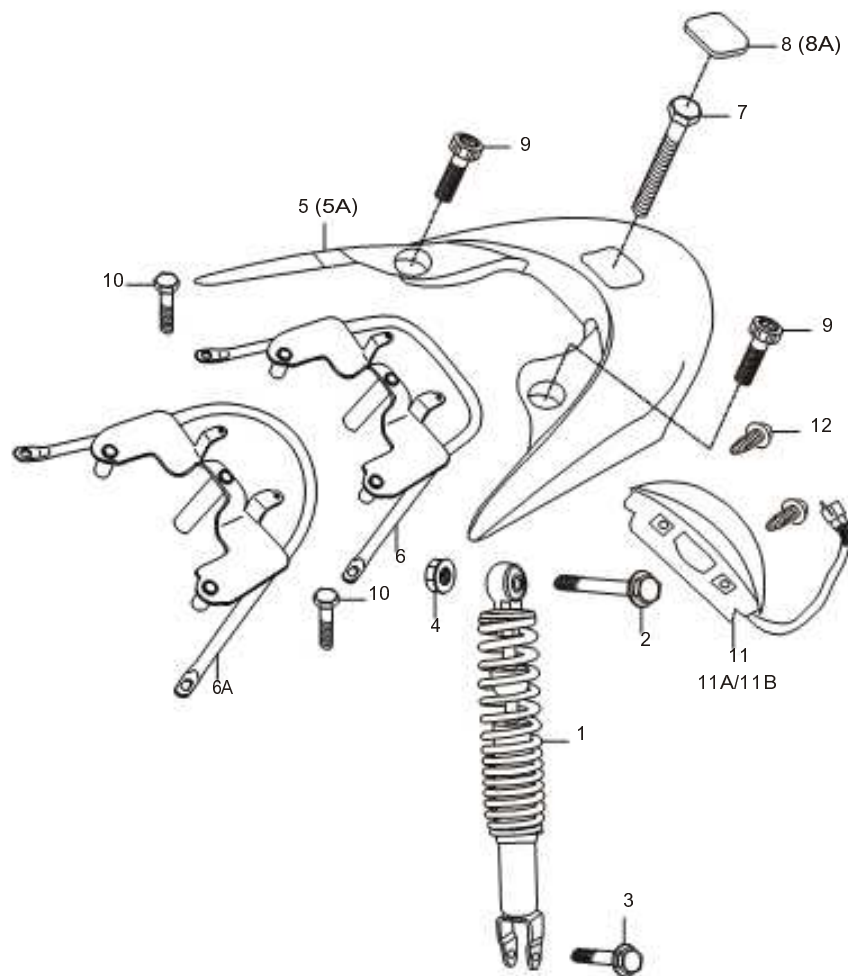
C20B

FIG.C20B

ПЕРЕДНЯЯ ВИЛКА

Ref.No.	Part No.	Description	Q'ty	Remarks
1	<u>51000QAC5030</u> QM50QT-3E(G)  .31- 00.51106QAGZ000	Front fork	1	
2	QM50QT-6.31.1.2-00 <u>51410QAGZ000</u>	Stem comp, steering	1	
3	QM50QT-6.31.1.1-00 <u>51631QAFZ000</u>	Head, steering stem	1	
4	QM50T-7.31-1 <u>09166Q210001</u>	Nut, stem lock	1	
5	QM50T-7.31-2 <u>51621QAFZ000</u>	Washer	1	
6	QM50T-7.31-3 <u>05450Q005011</u>	Race, steering outer, upper	1	
7	GB308-89	Ball	18	
8	<u>51611QACC000</u> QM50QT-3M.31-03	Race, steering inner, upper	1	
9	<u>51612QAGZ000</u> QM50QT-6.30-01	Race, steering inner, lower	1	
10	<u>05450Q002011</u> GB 308-89	Ball	26	
11	<u>51622QAGZ000</u> QM50QT-6.31.1-01	Race, steering outer, lower	1	
12	<u>51130QAC5030</u> QM50QT-3E(G)  .31.2- 00.51140QA(3)V1030	Fork assy. RH	1	
13	QM50QT-3E(G)  .31.3- 00.51113QAGZ000	Fork assy. LH	1	
14	QM50QT-6.31.3-01 <u>51117QAGZ000</u>	Bolt	2	
15	QM50QT-6.31.3-02	O ring	2	
16	<u>02104Q080451</u>	Bolt M8x40	4	
17	<u>01601Q060201</u> GB/T5783-2000	Bolt M6x20	1	

FIG.C21



QM50QT-3E(G)

C21

FIG.C21 БАГАЖНИК / ЗАДНИЙ АММОТИЗАТОР

Ref.No.	Part No.	Description	Q'ty	Remarks
1	62101QEAZ000 QM125T.35-00	Shock absorber, rear	1	
2	02504Q100714 GB/T16674.2-2004	Bolt M10x71	1	
3	02504Q080351 GB/T16674.2-2004	Bolt M8x35	1	
4	05409Q101101 GB/T6187.2-2000	Nut M10x1.25	1	
5	46341QAGZ000 QM50QT-6.46-15	Cover, carrier	1	
5A	46341QAGZ120 QM50QT-6(VII).46-15	Cover, carrier	1	
6	46310QAGZ000 QM50QT-6.40.1-00	Carrier comp, rear	1	
6A		Carrier comp, rear	1	
7	02104Q080768 GB/T16674.1-2004	Bolt M8x76	1	
8	46344QAGZ000 QM50QT-6.46-21	Lid, carrier cover	1	
8A	46344QAGZ120 QM50QT-6(VII).46-21	Lid, carrier cover	1	
9	03661Q008408 GB/T70.1-2000	Screw M8x40	2	
10	02104Q060161 GB/T16674.1-2004	Bolt M6x16	2	
11	36360QAGZ000 QM50QT-6.62.5-00	Brake lamp	1	
11A	36360QAGZ060 QM50QT-6(VI).62.5-00	Brake lamp	1	
11B	36360QAGZ120 QM50QT-6(VII).62.5-00	Brake lamp	1	
12	04010Q041302 GB/T845-1985	Screw ST4.2x13	2	

FIG.C21A  
( Option )

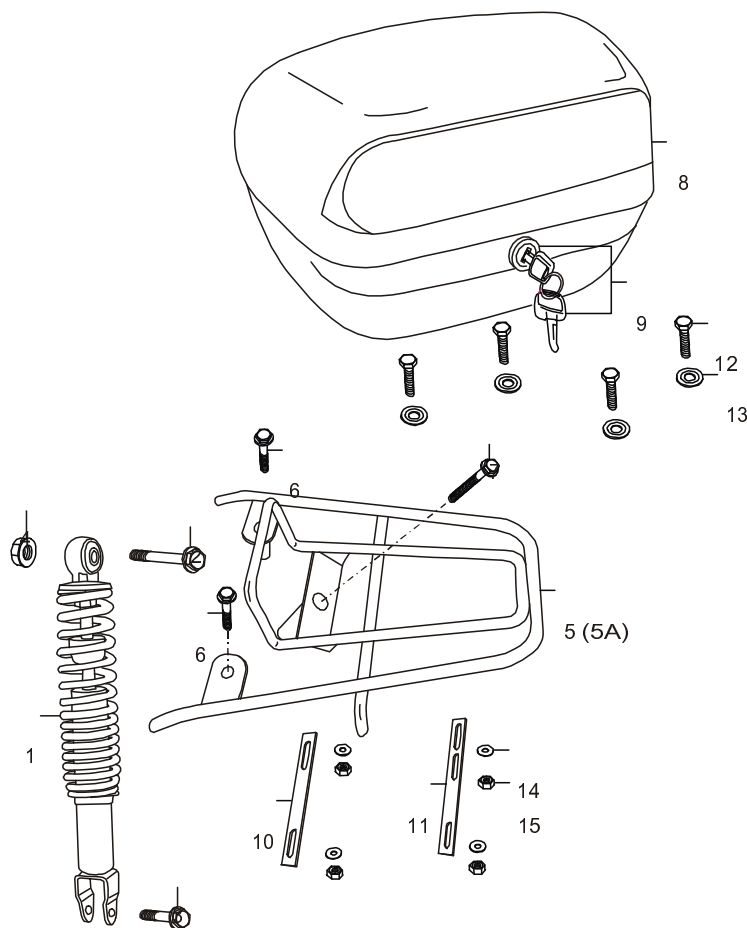


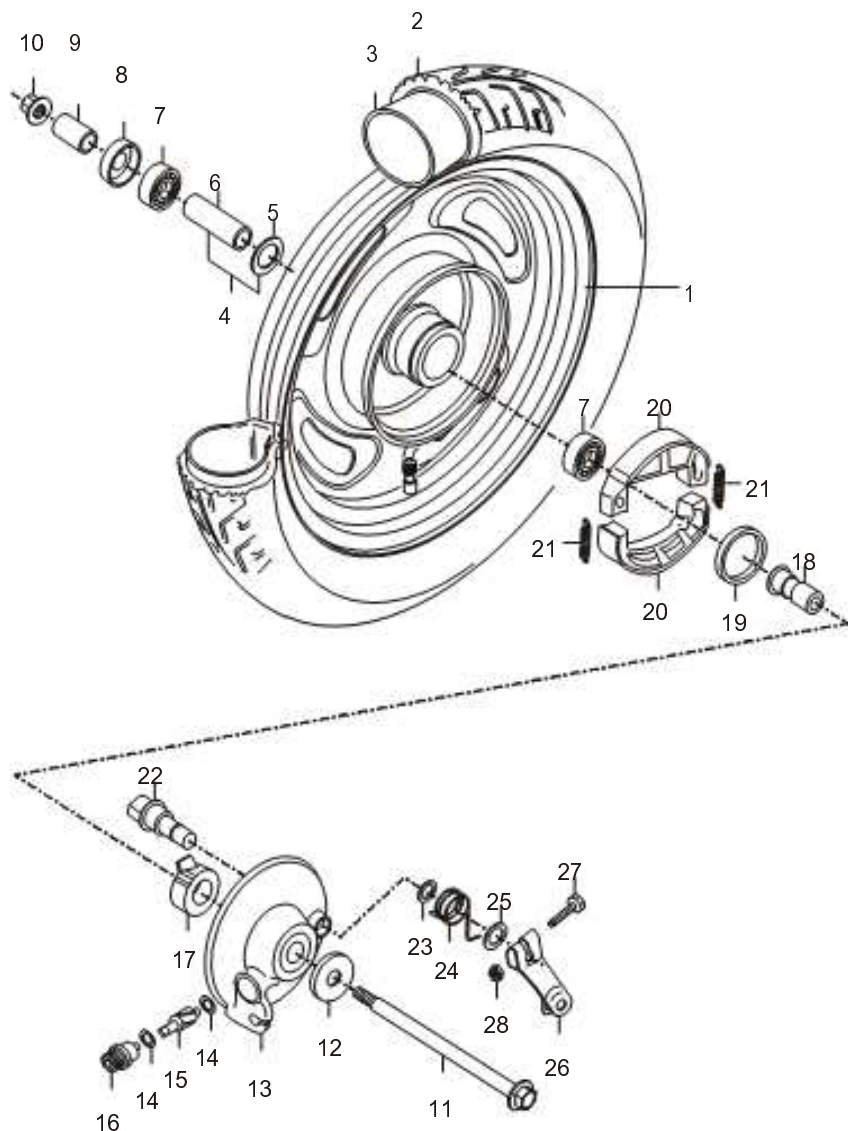
FIG.C21A

БАГАЖНИК / ЗАДНИЙ АММОТИЗАТОР

Ref.No.	Part No.	Description	Q'ty	Remarks
1	62101QEAZ000 QM125T.35-00	Shock absorber, rear	1	
2	02504Q100714 GB/T16674.2-2004	Bolt M10x71	1	
3	02504Q080351 GB/T16674.2-2004	Bolt M8x35	1	
4	05409Q101101 GB/T6187.2-2000	Nut M10x1.25	1	
5	46310QAGZ010 QM50QT-6(D).41.1-00	Carrier comp, rear	1	
5A	46310QAGZ010 QM50QT-6(D).41.1-00	Carrier comp, rear	1	
6	03661Q008408 GB/T170.1-2000	Screw M8x40	2	
7	02104Q080678 GB/T16674.1-2004	Bolt M8x67	1	
8	93100QACC000	Rear luggage box assy	1	
9	93301QACC000	Lock assy, luggage box	1	
10	93211QACC000	Installation board I, luggage box	1	
11	93221QACC000	Installation board II, luggage box	1	
12	01601Q060401 GB/T5783-2000	Bolt M6x40	4	
13	93231QACC000	Washer	4	
14	05420Q052061 GB/T96-1985	Washer 6	4	
15	05411Q012061 GB/T6177.1-2000	Nut M6	4	

QM50QT-3E(G)

FIG.C22



QM50QT-3E(G)

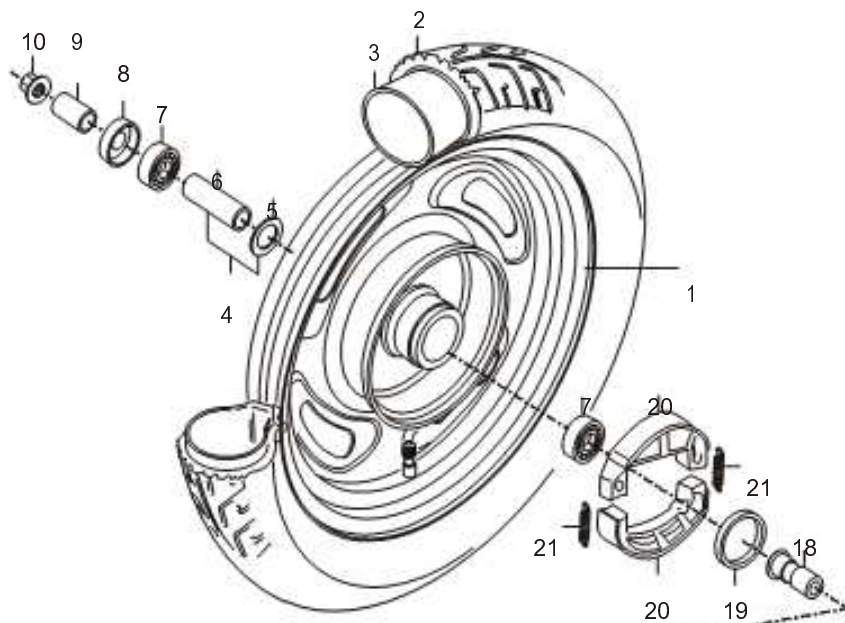
C22

FIG.C22

ДИСК ПЕРЕДНИЙ

Ref.No.	Part No.	Description	Q'ty	Remarks
1	54140QAGZ000 QM50QT-6.33.1-00	Wheel front	1	
2	55110QAFZ000- QM50QT-7.33.1.1-00	Tyre, front	1	
3	55200QAFZ000 QM50QT-7.33.1.2-00	Inner tube	1	
4	54730QAGZ000 QM50QT-6.33.3-00	Spacer, front wheel bearing	1	
5	54732QAGZ000 QM50QT-6.33.3-01	Race	1	
6	54731QAGZ000 QM50QT-6.33.3-01	Spacer, front wheel bearing	1	
7	05530Q06020I GB 278-89	Bearing	2	
8	54217QAGZ000 QM50QT-6.33-02	Oil seal	1	
9	54741QAGZ000 QM50QT-6.33-01	Spacer, front right	1	
10	05409Q09112I GB/T6187.2-2000	Nut M12x1.25	1	
11	54711QAGZ000 QM50QT-6.33-03	Axle, front	1	
12	54651QAGZ000 QM50QT-6.33.2-03	O ring	1	
13	54210QAGZ000 QM50QT-6.33.2.3-00	Brake assy, front	1	
14	05420Q042051 GB/T848-1985	Washer 5	2	
15	54621QAGZ000 QM50QT-6.33.2-02	Pinion speedometer	1	
16	54632QAGZ000 QM50QT-6.33.2-04	Bushing, speed ometer pinion	1	
17	54610QAGZ000 QM50QT-6.33.2.2-00	Gear, speedometer	1	
18	54221QAGZ000 QM50QT-6.33.2.3-02	Spacer, front left	1	
19	09283Q400001 QM50QT-6.33.2.1-00	Oil seal d39.2x60x7	1	
20	64410QAGZ000 QM50QT-6.34.3-00	Brake shoe	2	

FIG.C22



QM50QT-3E(G)

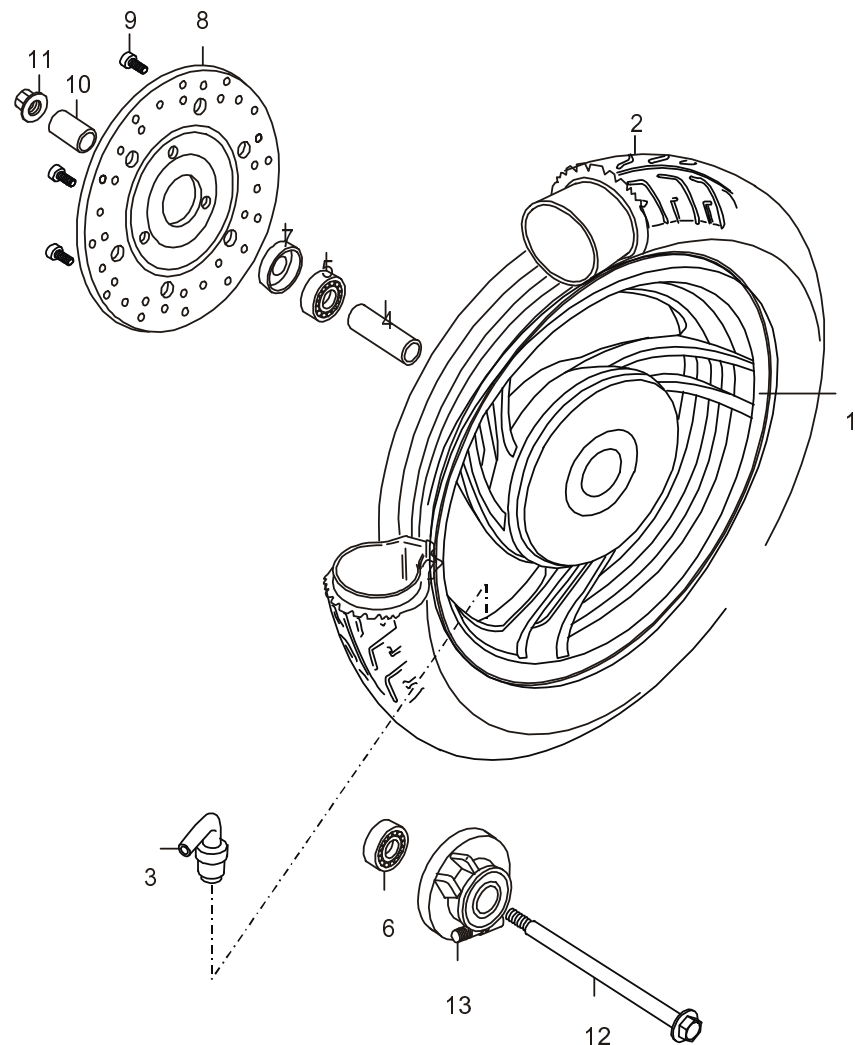
C22

FIG.C22

ДИСК ПЕРЕДНИЙ

Ref.No.	Part No.	Description	Q'ty	Remarks
21	09443Q070002 QM50T-7.33-4	Spring	2	
22	54441QAGZ000 QM50QT-6.33.2-05 09168Q140002	Cam, front brake	1	
23	09168Q140002 QM50QT-6.33.2-07	O ring	1	
24	54484QAGZ000 QM50QT-6.33.2-06	Spring	1	
25	05420Q052061 GB/T96-1985	Washer 6	1	
26	54451QAGZ000 QM50QT-6.33.2-01 01604Q060301	Lever, front brake cam	1	
27	GB/T5783-2000 05411Q012061	Bolt M6x30	1	
28	GB/T6177.1-2000	Nut M6	1	

FIG.C22A



C22A

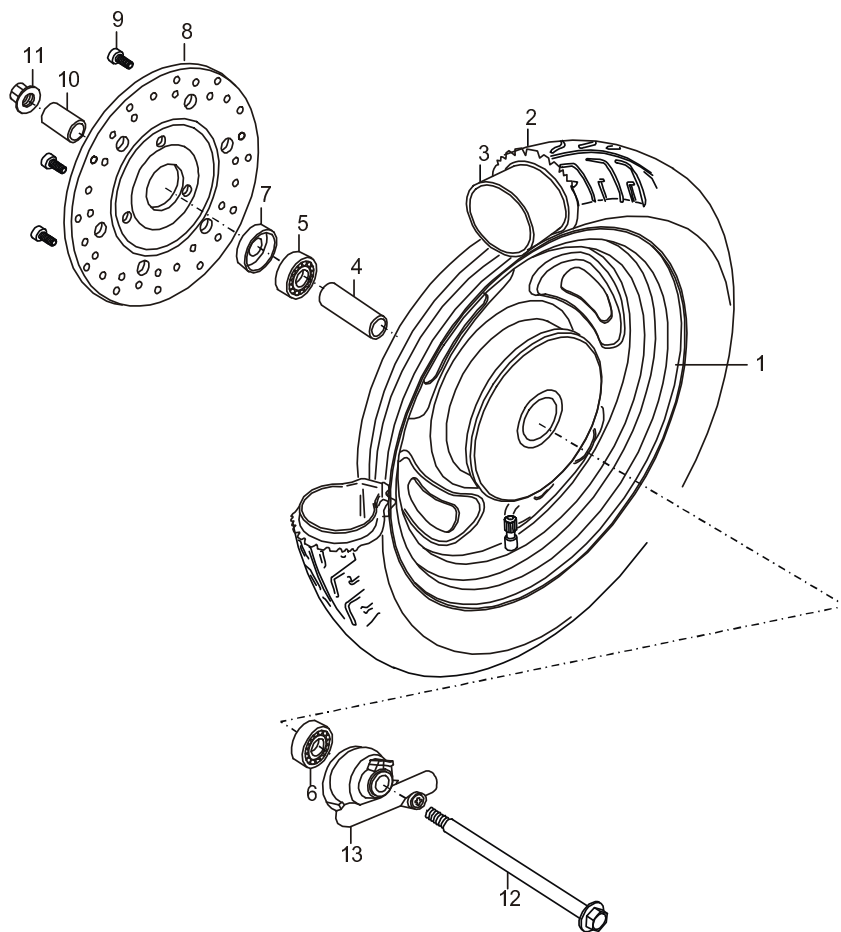
FIG.C22A

ДИСК ПЕРЕДНИЙ ПОД ДИСКОВЫЙ ТОРМОЗ

Ref.No.	Part No.	Description	Q'ty	Remarks
1	54111QAGZ030 <del>QM50QT-6(III).33-01</del> 55110QAGZ030	Wheel, front	1	
2	3.50-10	Tyre, front	1	
3	55220QDAZ000	Valve assy, wheel	1	
4	54730QAGZ030 <del>QM50QT-6(III).33.1-00</del> 05530Q060201	rim	1	
5	<del>GB279-86</del> 05530Q060301	Spacer	1	
6	<del>GB279-86</del> 05530Q060301	Bearing 600201	1	
7	54893QAGZ030	Bearing 600301	1	
8	59211QAGZ030 QM50QT-6(III).83-01	Oil seal	1	
9	09106Q080003	Disk, front brake	1	
10	54741QAGZ030 <del>QM50QT-6(III).33-02</del> 05409Q091121	Bolt M8x24	3	
11	<del>GB/T6187.2-2000</del> 54711QAGZ030	Nut M12x1.25	1	
12	<del>QM50QT-6(III).33-03</del> 54711QAGZ060	Axle, front	1	
12A	<del>QM50QT-6(VI).33-01</del> 46310QAGZ010	Axle, front	1	
13	QM50QT-6(I).41.1-00	Gear box assy, speedometer	1	

QM50QT-3E(G)

FIG.C22B



QM50QT-3E(G)

C22B

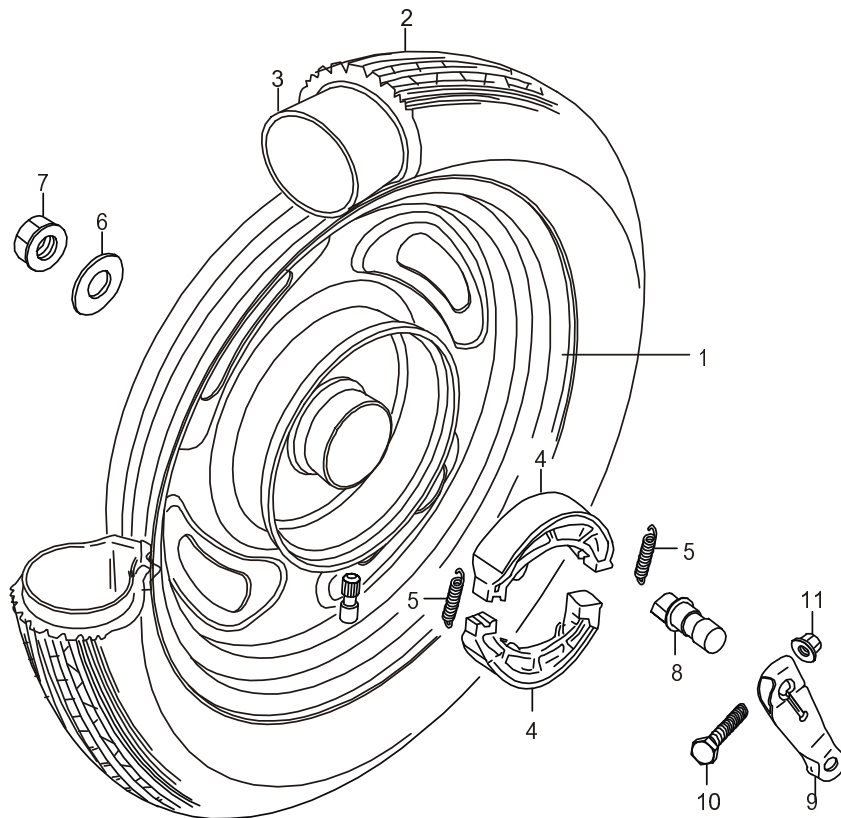
FIG.C22B

ДИСК ПЕРЕДНИЙ ПОД ДИСКОВЫЙ ТОРМОЗ

Ref.No.	Part No.	Description	Qty	Remarks
1	54111QAC5030 QM50QT-3E(G)I.33.1	Wheel, front	1	
2	00 55110QAFZ000 QM50QT-7.33.1.1-00	Tyre, front	1	
3	55200QAFZ000 QM50QT-7.33.1.2-00	Inner tube	1	
4	54731QAGZ000 QM50QT-6.33.3-01	Spacer	1	
5	05530Q060201 GB279-86	Bearing 600201	1	
6	05530Q060301 GB279-86	Bearing 600301	1	
7	54893QAGZ030	Oil seal	1	
8	59211QAC5030 QM50QT-3E(G) .83-01	Disk, front brake	1	
9	09106Q080003	Bolt M8x24	3	
10	54741QAC5030 QM50QT-3E(G)I .33-	Spacer, axle left	1	
11	01 05409Q091121 GB/T6187.2-2000	Nut M12x1.25	1	
12	54711QAGZ000 QM50QT-6.33-03	Axle, front	1	
13	46310QAC5030 QM50QT-3E(G)I .33.2-00	Gear box assy, speedometer	1	



FIG.C23



QM50QT-3E(G)

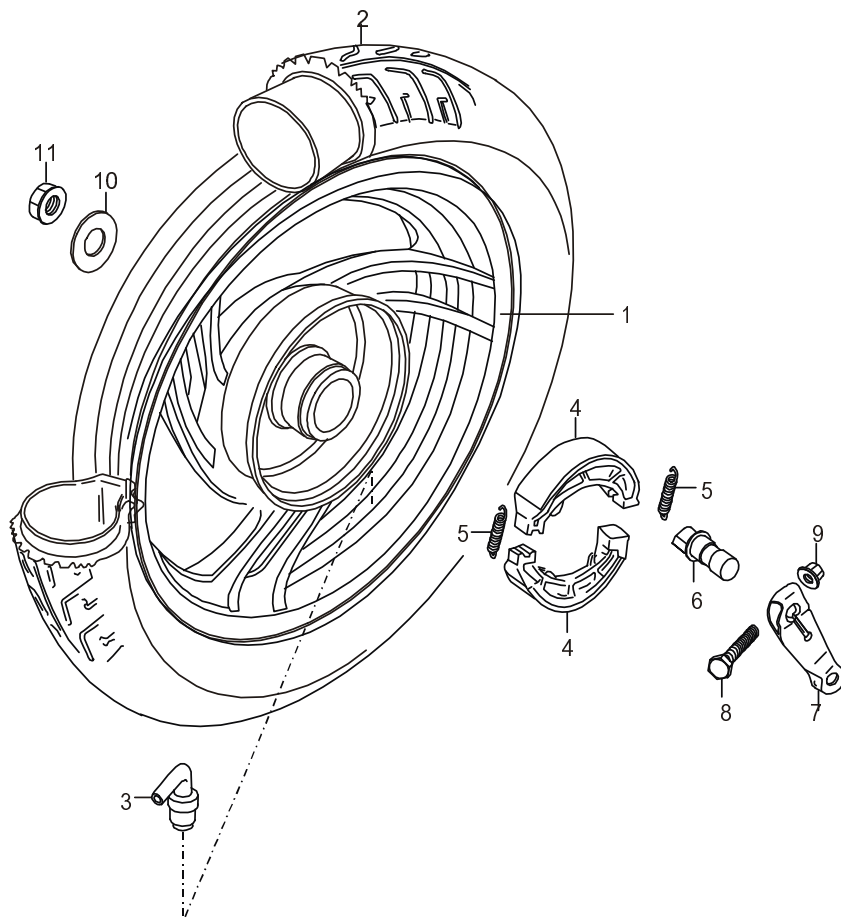
C23

FIG.C23

ДИСК ЗАДНИЙ

Ref.No.	Part No.	Description	Q'ty	Remarks
1	<u>64140QAC5010</u> QM50QT-3E(G).34.1-00	Wheel, rear	1	
2	<u>65110QAFZ000</u> QM50T-7.34.2-2	Tyre, rear	1	
3	<u>65200QAFZ000</u> QM50T-7.34.2-2	Inner tube	1	
4	<u>64410QAC5040</u> QM50QT-3E(G2).34.2-00	Brake, shoe	2	
5	<u>09443Q070002</u> QM50T-7.33-4	Spring	2	
6	<u>05420Q011161</u> GB/T95-2002	Washer 16	1	
7	<u>05409Q071161</u> GB/T6186-2000	Nut M16	1	
8	<u>64441QAFZ000</u> QM50T-7.34-1	Cam, rear brake	1	
9	<u>64451QAFZ000</u> QM50T-7.34-3	Lever, rear brake	1	
10	<u>01401Q060281</u> GB/T5781-2000	Bolt M6x28	1	
11	<u>05411Q012061</u> GB/T6177.1-2000	Nut M6	1	

FIG.C23A



QM50QT-3E(G)

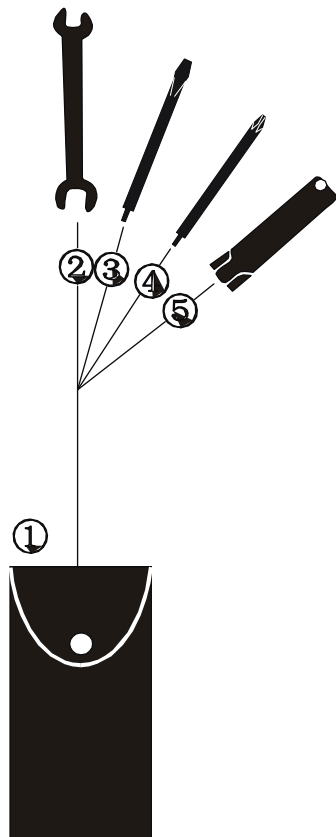
C23A

FIG.C23A

ДИСК ЗАДНИЙ

Ref.No.	Part No.	Description	Q'ty	Remarks
1	<u>64110QAC5040</u> QM50QT-6(III).34.1-00	Wheel, rear	1	
2	<del>55110QAGZ030</del> 3.50-10	Tyre, rear	1	
3	55220QDAZ000	Valve assy, wheel rim	1	
4	<u>64410QAC5040</u> QM50QT-3E(G2).34.2-00	Brake, shoe	2	
5	<del>09443Q070002</del> QM50T-7.33-4	Spring	2	
6	<u>64441QAFZ000</u> QM50T-7.34-1	Cam, rear brake	1	
7	<u>64451QAFZ000</u> QM50T-7.34-3	Lever, rear brake	1	
8	<u>01401Q060281</u> GB/T5781-2000	Bolt M6x28	1	
9	<u>05411Q012061</u> GB/T6177.1-2000	Nut M6	1	
10	<u>05420Q011161</u> GB/T95-2002	Washer 16	1	
11	<u>05409Q071161</u> GB/T6186-2000	Nut M16	1	

FIG.C24



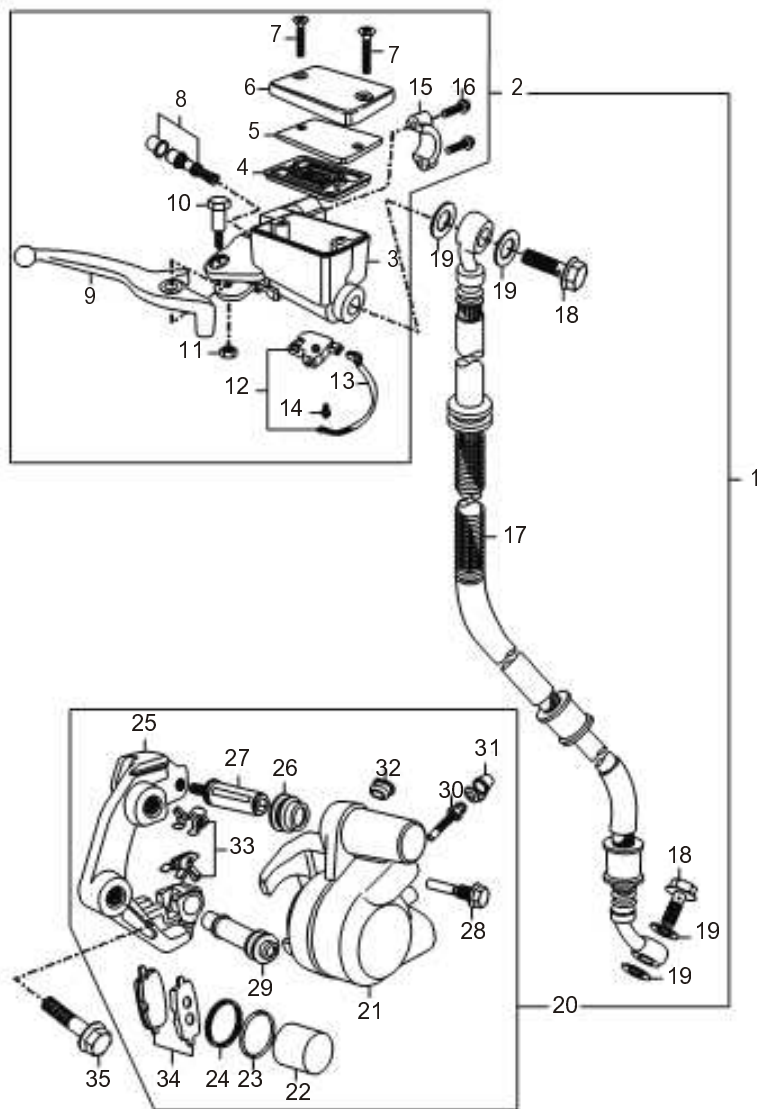
C24  
FIG.C24

ИНСТРУМЕНТ

Ref.No.	Part No.	Description	Q'ty	Remarks
1	09811Q000004	Bag, tool	1	
2	09813Q000004	Spanner	1	
3	09814Q000006	Screwdriver	1	
4	09814Q000005	Screwdriver	1	
5	09816Q000001	Spark plug wrench	1	

QM50QT-3E(G)

FIG.C25



QM50QT-3E(G)

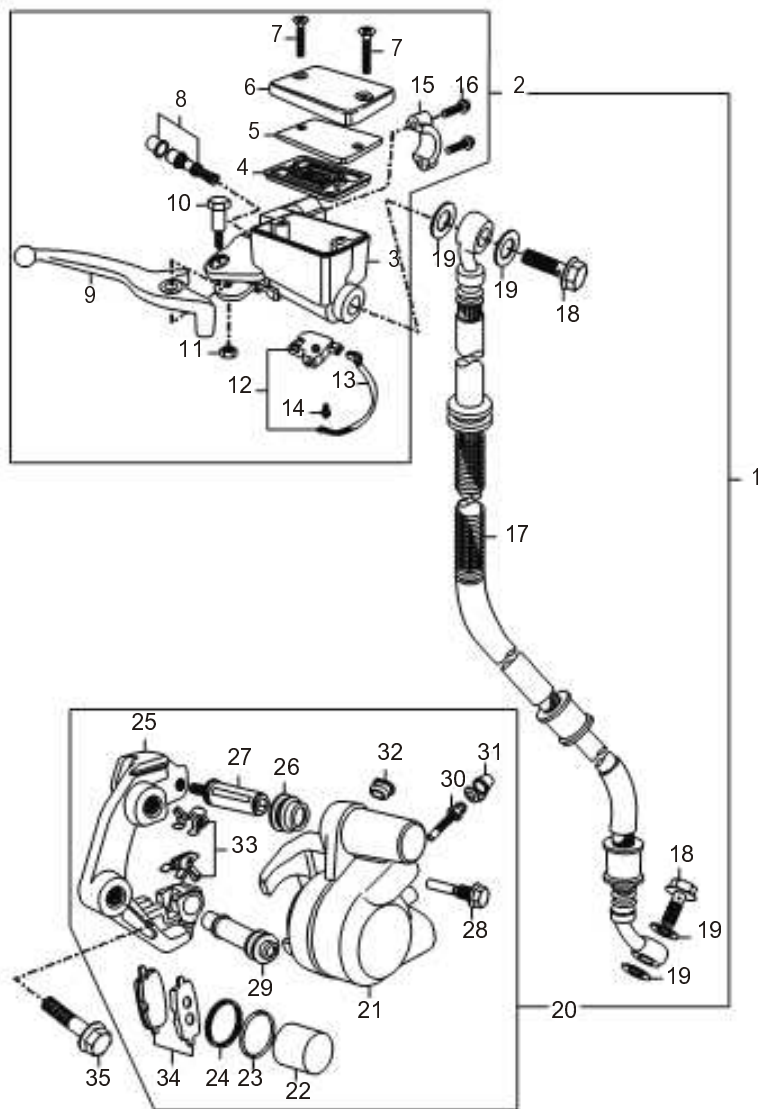
C25

FIG.C25

ПЕРЕДНИЙ ТОРМОЗ

Ref.No.	Part No.	Description	Q'ty	Remarks
1	59000QAGZ030 QM50QT-6(III).83-00	Disk brake assy	1	
2	59600QAGZ030 QM50QT-6(III).83.1-00	Master cylinder assy	1	
3		Reservoir	1	
4		Gasket	1	
5		Gasket II	1	
6		Cap, reservoir	1	
7		Screw	2	
8		Piston	1	
9	57421QAGZ030 QM50QT-6(III).83.1-01	Lever, front brake	1	
10	57431QAGZ030 QM50QT-6(III).83.1-02	Bolt M6x30	1	
11	05409Q0610063	Nut M6	1	
12	57460QAGZ030 QM50QT-6(III).83.4-00	Switch assy, stop lamp	1	
13	57468QAGZ030 QM50QT-6(III).83.4.1-00	Cable assy	1	
14	03454Q340104 GB/T9074.8-1988	Screw M4x10	1	
15	59671QAGZ030 QM50QT-6(III).83.1-03	Bracket, master cylinder	1	
16	09111Q060004	Bolt M6x25	2	
17	59280QAGZ030 QM50QT-6(III).83.2-00	Hose assy, front brake	1	
18	09360Q100002	Bolt M10x24	2	
19	09160Q100007	Seal ring 10	4	
20	59100QAGZ030 QM50QT-6(III).83.3-00	Brake caliper assy	1	

FIG.C25



QM50QT-3E(G)

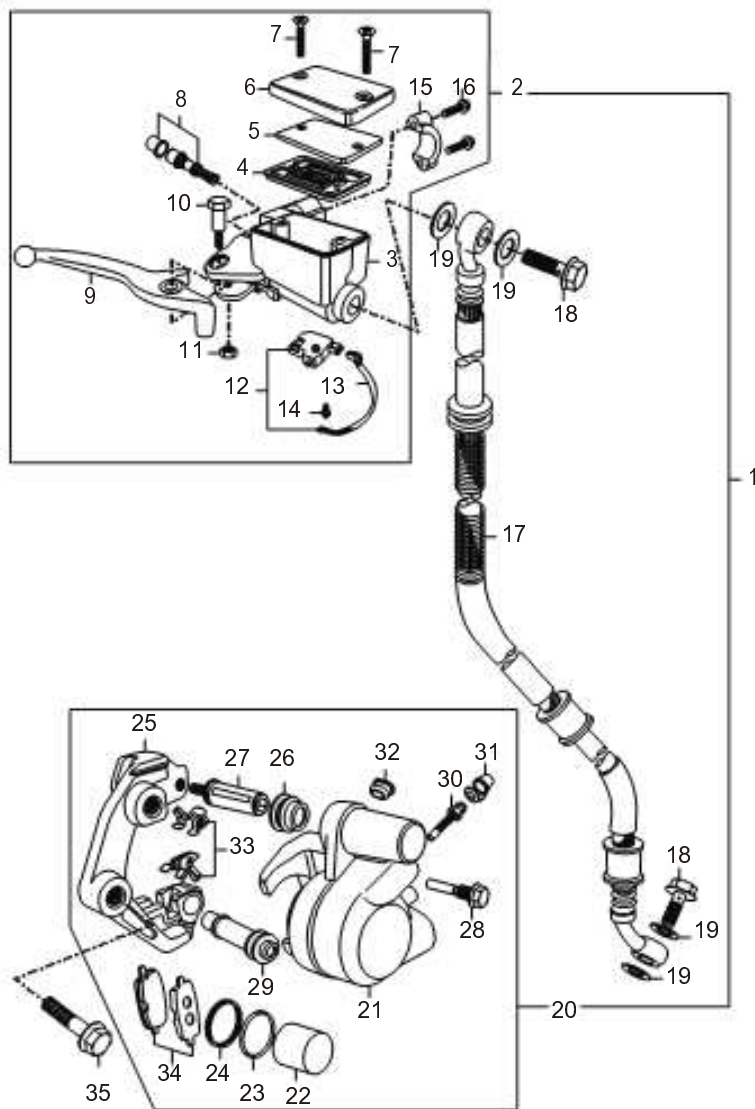
C25

FIG.C25

ПЕРЕДНИЙ ТОРМОЗ

Ref.No.	Part No.	Description	Q'ty	Remarks
21	*	Pump shell	1	
22	*	Piston set	1	
23	*	Oil seal	1	
24	*	Dust ring	1	
25	*	Carrier set, calipers	1	
26	*	Cap, bush	1	
27	*	Sliding pin	1	
28	*	Bolt	1	
29	*	Long bush	1	
30	59121QAGZ030 QM50QT-6(III).83.3-01	Bleeder	1	
31		Cap, bleeder	1	
32		Cover	1	
33		Support pad	2	
34	59130QAGZ030 QM50QT-6(III).83.3.1-00	Pad assy	2	
35	09103Q080003	Bolt M8x30	2	

FIG.C25A



QM50QT-3E(G)

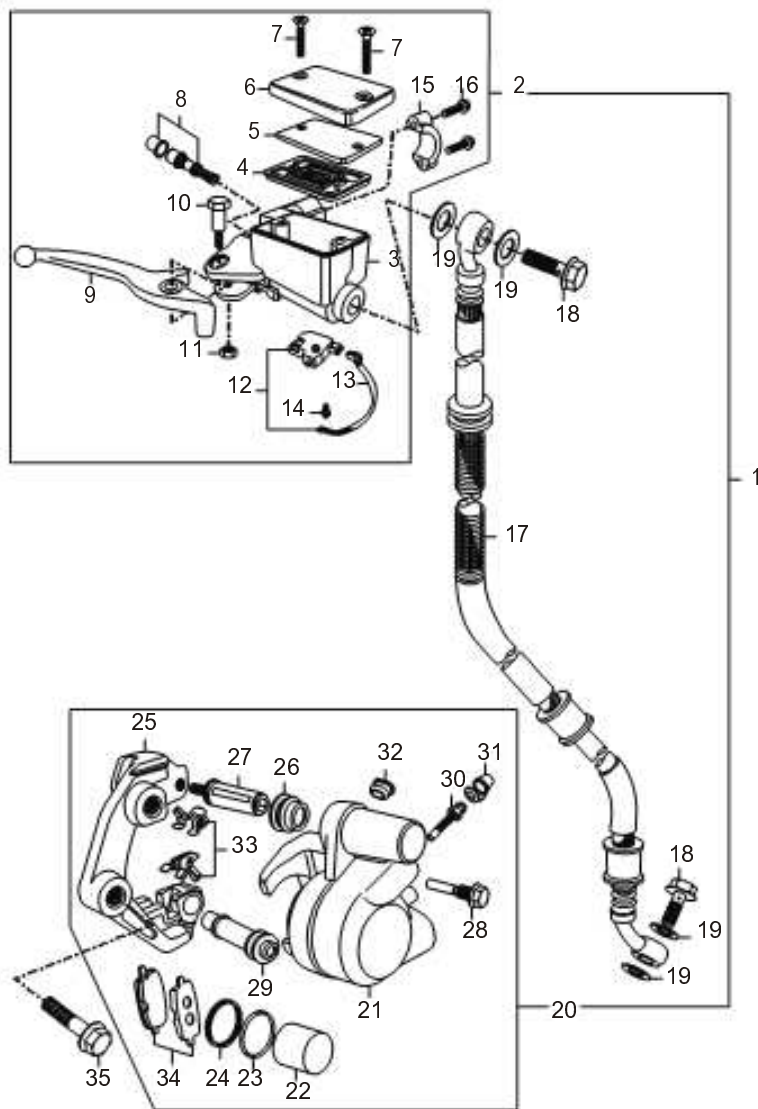
C25A

FIG.C25A

ПЕРЕДНИЙ ТОРМОЗ

Ref.No.	Part No.	Description	Q'ty	Remarks
1	59000QAC5030 QM50QT-3E(G)I.83-00	Disk brake assy	1	
2	59600QAGZ030	Master cylinder assy	1	
3		Reservoir	1	
4		Gasket	1	
5		Gasket II	1	
6	QM50QT-6(III).83.1-00	Cap, reservoir	1	
7		Screw	2	
8		Piston	1	
9	57421QAGZ030 QM50QT-6(III).83.1-01	Lever, front brake	1	
10	57431QAGZ030 QM50QT-6(III).83.1-02	Bolt M6x30	1	
11	05409Q0610063	Nut M6	1	
12	57460QAGZ030 QM50QT-6(III).83.4-00	Switch assy, stop lamp	1	
13	57468QAGZ030 QM50QT-6(III).83.4.1-00	Cable assy	1	
14	03454Q340104 GB/T9074.8-1988	Screw M4x10	1	
15	59671QAGZ030 QM50QT-6(III).83.1-03	Bracket, master cylinder	1	
16	09111Q060004	Bolt M6x25	2	
17	59280QAGZ030 QM50QT-6(III).83.2-00	Hose assy, front brake	1	
18	09360Q100002	Bolt M10x24	2	
19	09160Q100007	Seal ring 10	4	
20	59100QAC5030 QM50QT-3E(G)I .83.3-00	Brake caliper assy	1	

FIG.C25



QM50QT-3E(G)

C25

FIG.C25

ПЕРЕДНИЙ ТОРМОЗ

Ref.No.	Part No.	Description	Q'ty	Remarks
21	*	Pump shell	1	
22	*	Piston set	1	
23	*	Oil seal	1	
24	*	Dust ring	1	
25	*	Carrier set, calipers	1	
26	*	Cap, bush	1	
27	*	Sliding pin	1	
28	*	Bolt	1	
29	*	Long bush	1	
30	59121QAGZ030 QM50QT-6(III).83.3-01	Bleeder	1	
31		Cap, bleeder	1	
32		Cover	1	
33		Support pad	2	
34	59130QAGZ030 QM50QT-6(III).83.3.1-00	Pad assy	2	
35	09103Q080003	Bolt M8 x30	2	