



## КАТАЛОГ ЗАПЧАСТЕЙ

**10-E**

**QM50QT-10E**

[www.SkyBike.com.ua](http://www.SkyBike.com.ua)

## **Внимание!**

**Для заказа запчастей необходимо в каталоге найти страницу с изображением интересующей вас детали. В левом верхнем углу написан код рисунка. Номер детали указан возле изображения детали. Например для заказа прокладки глушителя, для модели FORTUNE 50, вы пишете в заявке – "FIG.13 – 8 Прокладка глушителя" (или название на английском из каталога) и необходимое количество. Если группа деталей объединена скобкой, это значит, что детали продаются в комплекте.**

**После того, как вы определились с выбором детали, вы можете сделать заказ, уточнить наличие на складе, цену, позвонив по телефонам указанным на [сайте](#) или отправьте запрос на наш e-mail: [repair@skybike.com.ua](mailto:repair@skybike.com.ua)**

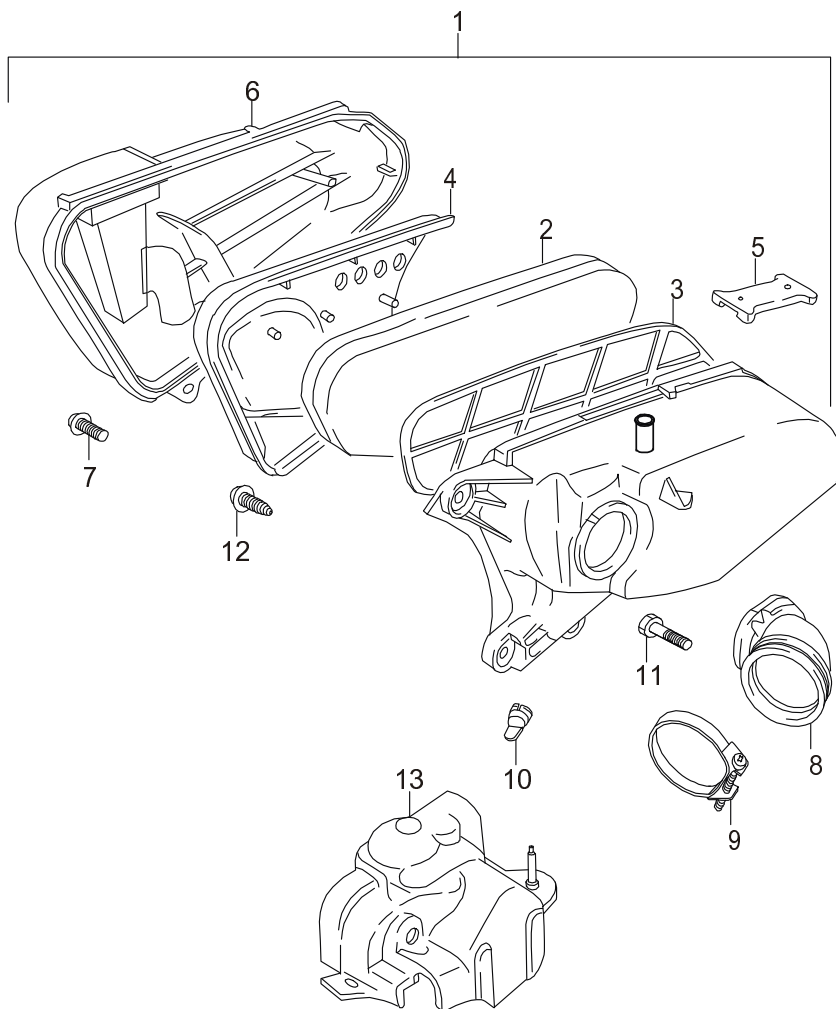
## КАТАЛОГ ЗАПЧАСТЕЙ

| Ref. No. |                       | Стр |
|----------|-----------------------|-----|
| FIG.C1   | ВОЗДУШНЫЙ ФИЛЬТР      | 1   |
| FIG.C2   | ГЛУШИТЕЛЬ             | 2   |
| FIG.C3   | ПРОВОДКА              | 4   |
| FIG.C4   | ЭЛЕКТРИЧЕСКИЕ ЧАСТИ   | 5   |
| FIG.C5   | РАМА                  | 6   |
| FIG.C6   | ПОДНОЖКИ              | 7   |
| FIG.C7   | СПИДОМЕТР             | 8   |
| FIG.C8   | ФАРА                  | 9   |
| FIG.C9   | УКАЗАТЕЛИ ПОВОРОТОВ   | 10  |
| FIG.C10  | ФОНАРЬ ЗАДНИЙ         | 11  |
| FIG.C11  | РУЛЬ                  | 12  |
| FIG.C12  | ПЕРЕКЛЮЧАТЕЛИ РУЛЕВЫЕ | 13  |
| FIG.C13  | ПЕРЕДНИЙ ТОРМОЗ       | 14  |
| FIG.C14  | ПЕРЕДНЯЯ ВИЛКА        | 15  |
| FIG.C15  | ЗАДНИЙ АМОРТИЗАТОР    | 16  |
| FIG.C16  | КРЫШКА РУЛЯ           | 17  |
| FIG.C17  | КРЫШКА ПЕРЕДНЯЯ       | 18  |
| FIG.C18  | КРЫШКИ РАМЫ           | 19  |
| FIG.C19  | ПЛАСТИК ВНУТРЕННИЙ    | 20  |
| FIG.C20  | КРЫЛО ПЕРЕДНЕЕ        | 22  |
| FIG.C21  | КРЫЛО ЗАДНЕЕ          | 23  |
| FIG.C22  | БЕНЗОБАК              | 24  |

## КАТАЛОГ ЗАПЧАСТЕЙ

| Ref. No. |               | Стр |
|----------|---------------|-----|
| FIG.C23  | МАСЛЯНЫЙ БАК  | 25  |
| FIG.C24  | СИДУШКА       | 26  |
| FIG.C25  | БАГАЖНИК      | 27  |
| FIG.C26  | ДИСК ПЕРЕДНИЙ | 28  |
| FIG.C27  | ДИСК ЗАДНИЙ   | 29  |
| FIG.C28  | ИНСТРУМЕНТ    | 30  |

FIG.C1



QM50T-10E

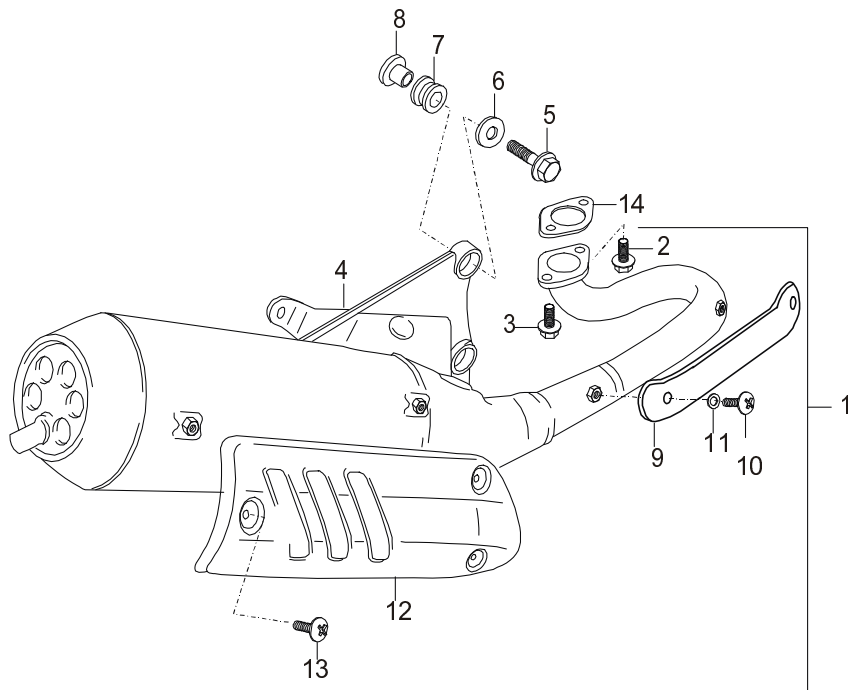
C1

FIG.C1

ВОЗДУШНЫЙ ФИЛЬТР

| Ref.No. | Part No.         | Description       | Q'ty | Remarks |
|---------|------------------|-------------------|------|---------|
| 1       |                  | Air cleaner assy  | 1    |         |
| 2       |                  | Filter, air       | 1    |         |
| 3       | HIE41QMB.11-04   | Frame, filter     | 1    |         |
| 4       | HIE41QMB.11-03   | Partition         | 1    |         |
| 5       | HIE41QMB.11-14   | Lock              | 2    |         |
| 6       | HIE41QMB.11-02   | Cap, cleaner      | 1    |         |
| 7       | HIE41QMB.11-15   | Screw             | 2    |         |
| 8       | HIE41QMB.11-09   | Tube outlet       | 1    |         |
| 9       | HIE41QMB.11.1-00 | Clamp assy        | 1    |         |
| 10      | HIE41QMB.11-12   | Tube, drain       | 1    |         |
| 11      | GB818-85         | Screw             | 1    |         |
| 12      | GB848-85         | Screw             | 1    |         |
| 13      |                  | Guard, carburetor | 1    |         |

FIG.C2



C2

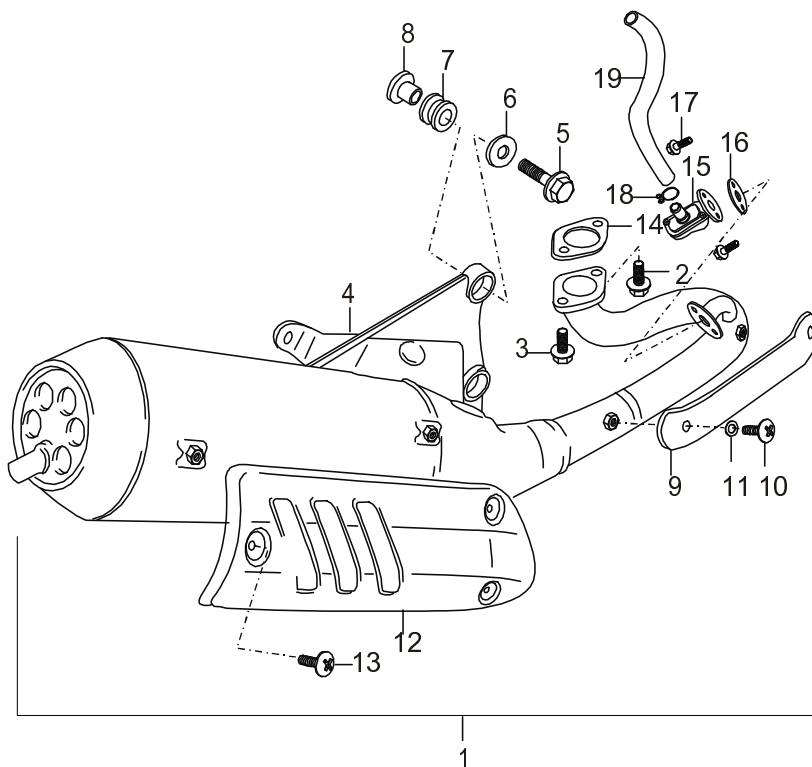
FIG.C2

ГЛІУШИТЕЛЬ

| Ref.No. | Part No.                               | Description             | Q'ty | Remarks |
|---------|--|-------------------------|------|---------|
| 1       | <u>14300QAK5000</u><br>QM50T-10E.09-00 | Muffler assy            | 1    |         |
| 2       | GB70-85                                | Bolt M6x20              | 1    |         |
| 3       | GB5782-86                              | Bolt M6x20              | 1    |         |
| 4       |  | Body, muffler           | 1    |         |
| 5       |  | Bolt M8x35              | 2    |         |
| 6       |  | Washer 8                | 2    |         |
| 7       |  | Cushion                 | 2    |         |
| 8       |  | Spacer, muffler bracket | 2    |         |
| 9       |  | Cover, exhaust pipe     | 1    |         |
| 10      |  | Screw M6x6              | 2    |         |
| 11      |  | Lock washer 6           | 2    |         |
| 12      |  | Cover, muffler          | 1    |         |
| 13      |  | Screw M6x8              | 3    |         |
| 14      |  | Gasket, exhaust pipe    | 1    |         |

QM50T-10E

FIG.C2A



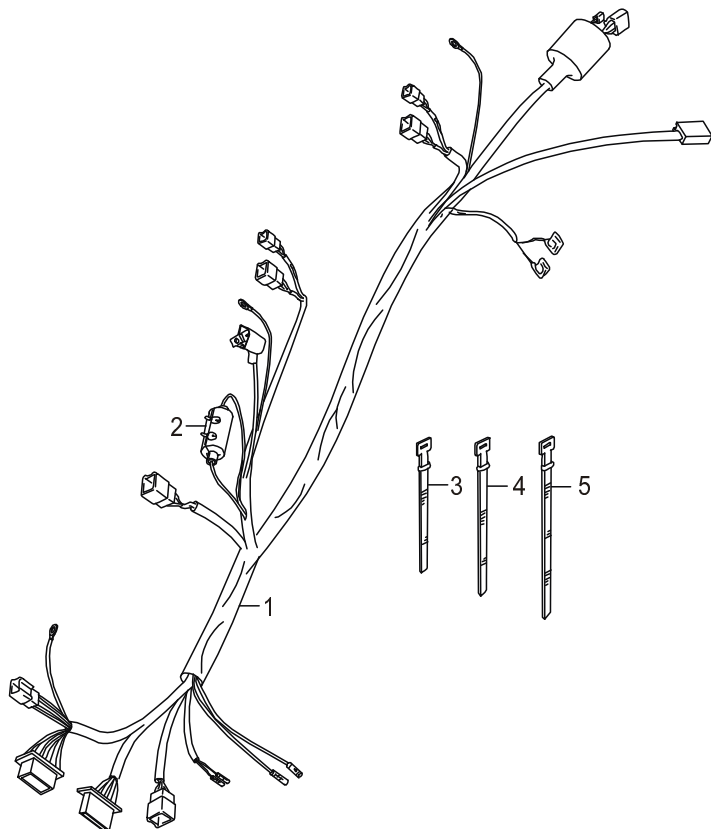
C2A  
FIG.C2A

ГЛУШИТЕЛЬ

| Ref.No. | Part No.                         | Description                 | Q'ty | Remarks |
|---------|----------------------------------|-----------------------------|------|---------|
| 1       |                                  | Muffler assy                | 1    |         |
| 2       | GB70-85                          | Bolt M6x20                  | 1    |         |
| 3       | GB5782-86                        | Bolt M6x20                  | 1    |         |
| 4       |                                  | Body, muffler               | 1    |         |
| 5       | GB5782-86                        | Bolt M8x35                  | 2    |         |
| 6       | GB7246-87                        | Washer 8                    | 2    |         |
| 7       | HIE41QMB.09-3                    | Cushion                     | 2    |         |
| 8       | HIE41QMB.09-00                   | Spacer, muffler bracket     | 2    |         |
| 9       | HIE41QMB.09-1                    | Cover, exhaust pipe         | 1    |         |
| 10      | GB818-85                         | Screw M6x6                  | 2    |         |
| 11      | GB7246-87                        | Lock washer 6               | 2    |         |
| 12      | HIE41QMB.09.0-00                 | Cover, muffler              | 1    |         |
| 13      | GB818-85                         | Screw M6x8                  | 3    |         |
| 14      | HIE41QMB.09-2                    | Gasket, exhaust pipe        | 1    |         |
| 15      |                                  | Valve, secondly air feeding | 1    |         |
| 16      |                                  | Gasket, air valve           | 1    |         |
| 17      | 02105Q060165<br>GB/T16674.1-2004 | Bolt M6x16                  | 2    |         |
| 18      |                                  | Clip, air valve             | 2    |         |
| 19      |                                  | Hose, air valve             | 1    |         |

QM50T-10E

FIG.C3



C3

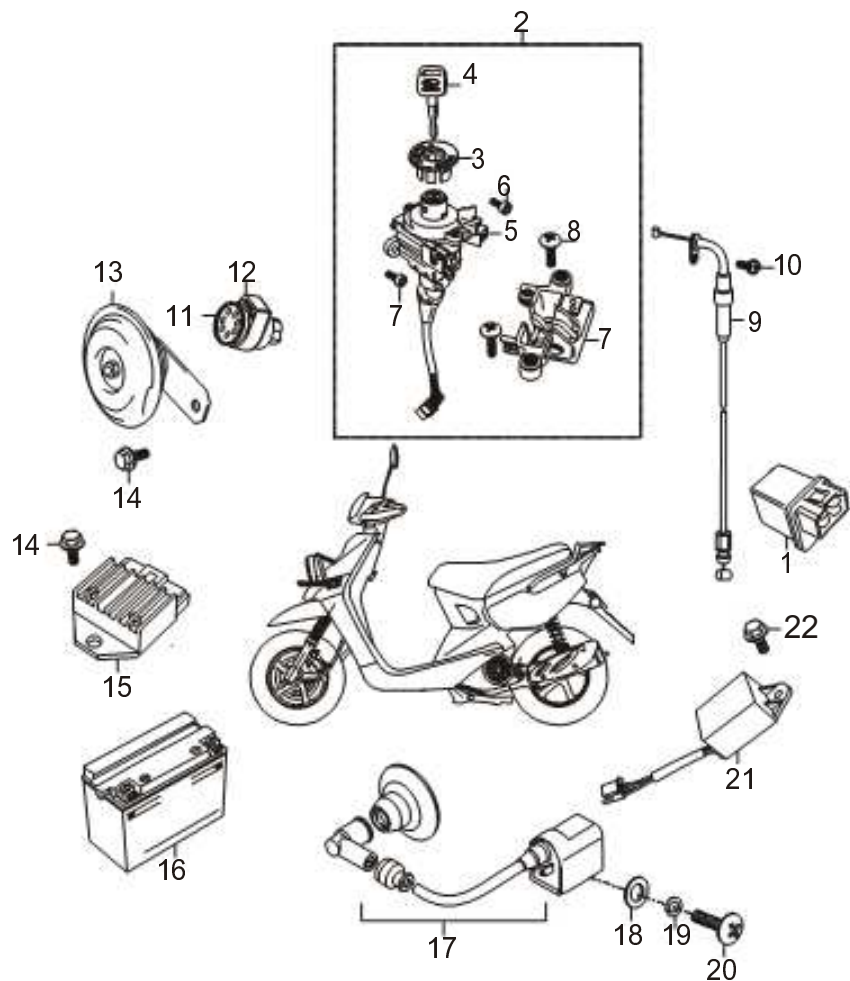
FIG.C3

ПРОВОДКА

| Ref.No. | Part No.                               | Description         | Q'ty | Remarks |
|---------|--|---------------------|------|---------|
| 1       | <u>36601OAK5000</u><br>QM50T-10E.67-00 | Wiring harness      | 1    |         |
| 2       |  | Fuse assy           | 1    |         |
| 3       | 09407Q154002                           | Band, nylon ZD150x7 | 1    |         |
| 4       | 09407Q204001                           | Band, nylon ZD200x7 | 2    |         |
| 5       | 09407Q254001                           | Band, nylon ZD250x7 | 2    |         |

QM50T-10E

FIG.C4



QM50T-10E

C4

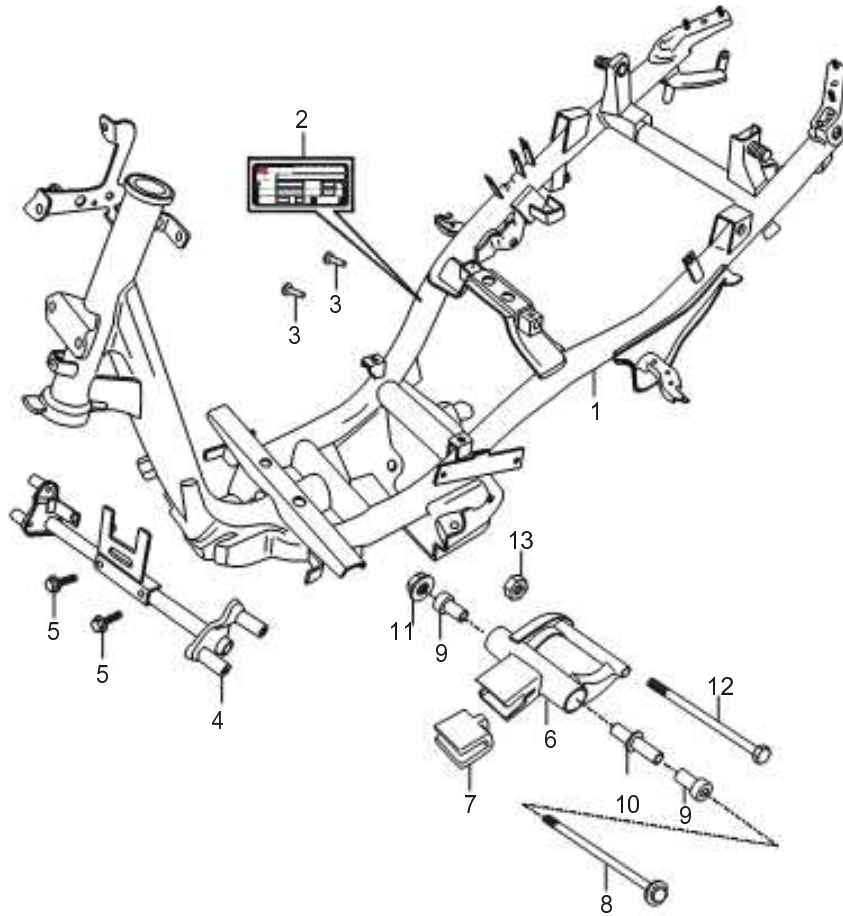
FIG.C4

ЭЛЕКТРИЧЕСКИЕ ЧАСТИ

| Ref.No. | Part No.                                  | Description           | Q'ty | Remarks |
|---------|---|-----------------------|------|---------|
| 1       |   | Relay, starting motor | 1    |         |
| 2       | <u>37100QEK5000</u><br>QM125T-10E.65.1-00 | assy                  | 1    |         |
| 3       |   | Switch, lock assy     | 1    |         |
| 4       |   | Cover                 | 2    |         |
| 5       |   | Key                   | 1    |         |
| 6       | GB819-85                                  | Switch, lock          | 2    |         |
| 7       | <u>45700QEK5000</u><br>QM125T-10E.65.2-00 | Screw M6x10           | 1    |         |
| 8       | GB823-88                                  | Lock set, seat        | 2    |         |
| 9       | <u>45280QEDK000</u><br>QM125T-4V.65.3-00  | Screw M6x12           | 1    |         |
| 10      |   | Wire assy             | 1    |         |
| 11      | <u>38600QEA7000</u><br>QM125T-G.72-00     | Screw                 | 1    |         |
| 12      |   | Flasher relay         | 1    |         |
| 13      | <u>38501QAA2000</u><br>QM50QT-3.63-00     | Band, flash relay     | 1    |         |
| 14      | <u>02105Q060122</u><br>GB/T16674.1-2004   | Horn comp             | 2    |         |
| 15      |   | Bolt M6x12            | 1    |         |
| 16      | <u>33601QDA1000</u><br>QM100T-A.60-00     | Regulator comp        | 1    |         |
| 17      |   | Battery assy          | 1    |         |
| 18      |   | Coil assy, ignition   | 1    |         |
| 19      |   | Washer                | 1    |         |
| 20      |   | Washer                | 1    |         |
| 21      |   | Screw                 | 1    |         |
| 22      |   | CDI unit              | 1    |         |
| 22      | <u>02104Q060162</u><br>GB/T16674          | Flange bolt M6x16     | 1    |         |



FIG.C5



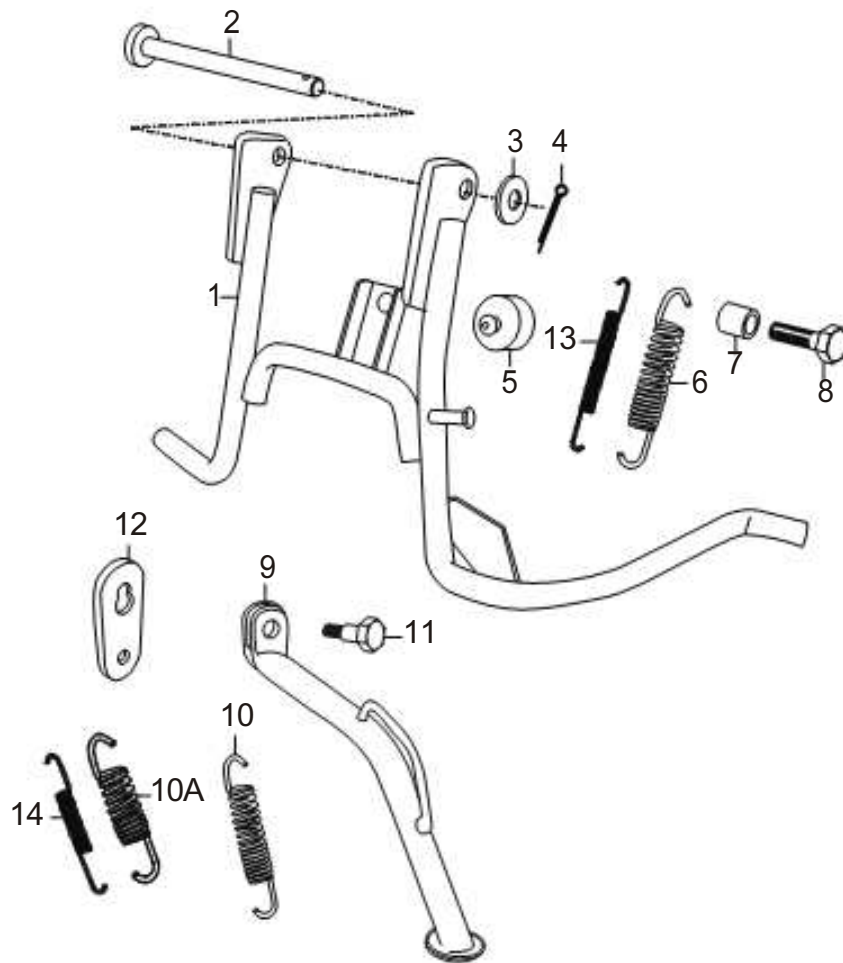
QM50T-10E

C5  
FIG.C5

PAMA

| Ref.No. | Part No.                                  | Description            | Q'ty | Remarks |
|---------|---|------------------------|------|---------|
| 1       | <u>41100OAK5000</u><br>QM50T-10E.30.1-00  | Frame comp             | 1    |         |
| 2       |   | Name plate, frame      | 1    |         |
| 3       | <u>05011O220051</u><br>GB867-86           | Rivet 2x5              | 2    |         |
| 4       | <u>41120OEK5000</u><br>QM125T-10E.30.4-00 | Bracket, front cover   | 1    |         |
| 5       | <u>01514O080361</u><br>GB9074.1-2002      | Bolt M8x36             | 2    |         |
| 6       | <u>41101OAK5000</u><br>QM50T-10E.30.3-00  | Bracket set, crankcase | 1    |         |
| 7       |   | Cushion                | 1    |         |
| 8       | <u>41188OAK5000</u><br>QM50T-10E.30-01    | Bolt M12x175           | 1    |         |
| 9       |   | Spacer                 | 2    |         |
| 10      |   | Bush                   | 1    |         |
| 11      |   | Nut M10                | 1    |         |
| 12      |   | Bolt M12x180           | 1    |         |
| 13      |   | Nut M12                | 1    |         |

FIG.C6



QM50T-10E

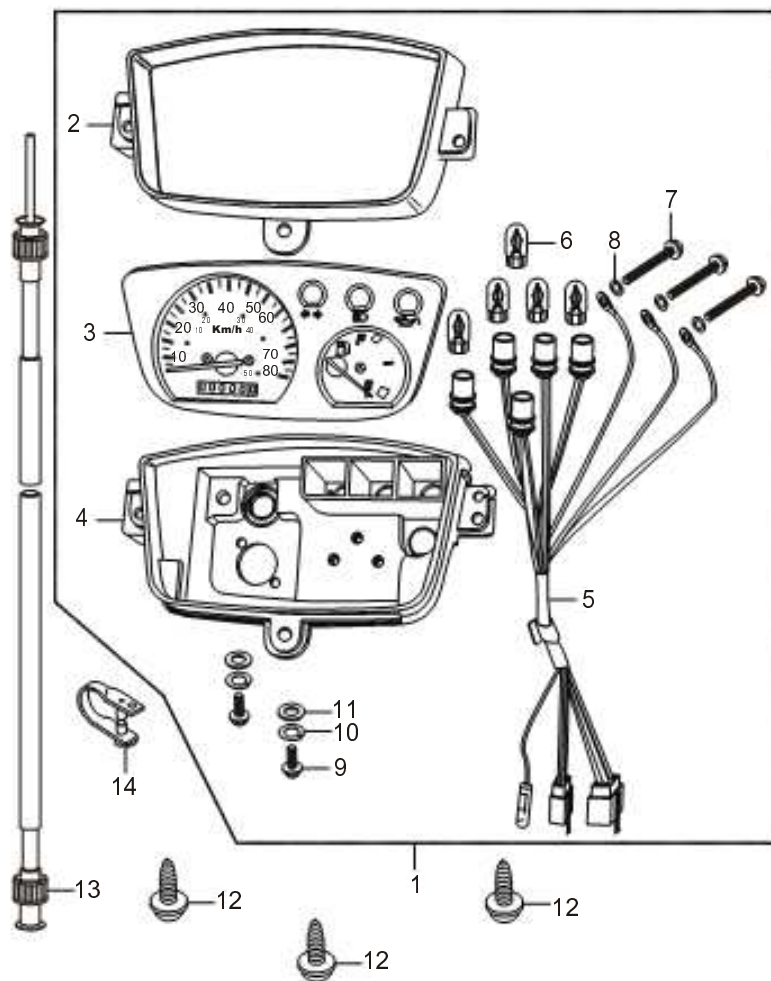
C6

FIG.C6

ПОДНОЖКИ

| Ref.No. | Part No.                           | Description                 | Q'ty | Remarks |
|---------|------------------------------------|-----------------------------|------|---------|
| 1       | 42110QAK5000<br>QM50T-10E.4T.1-00  | Central stand comp.         | 1    |         |
| 2       |                                    | Axle, stand center          | 2    |         |
| 3       |                                    | Washer                      | 1    |         |
| 4       |                                    | Pin                         | 1    |         |
| 5       |                                    | Cushion                     | 1    |         |
| 6       |                                    | Spring, central stand       | 1    |         |
| 7       |                                    | Bush                        | 1    |         |
| 8       |                                    | Bolt                        | 1    |         |
| 9       | 42310QEK5000<br>QM125T-10E.81.1-00 | Side stand comp.            | 1    |         |
| 10      | 09443Q150011<br>QM125T-4B.81-01    | Spring, side stand          | 1    |         |
| 10A     |                                    | Spring, side stand          | 1    |         |
| 11      | 42333QEDZ000<br>QM125T-4.81-1      | Bolt, side stand M8x20      | 1    |         |
| 12      | 42356QLKK030                       | Mounting plate, side stand  | 1    |         |
| 13      |                                    | Inner Spring, central stand | 1    |         |
| 14      |                                    | Inner Spring, side stand    | 1    |         |

FIG.C7



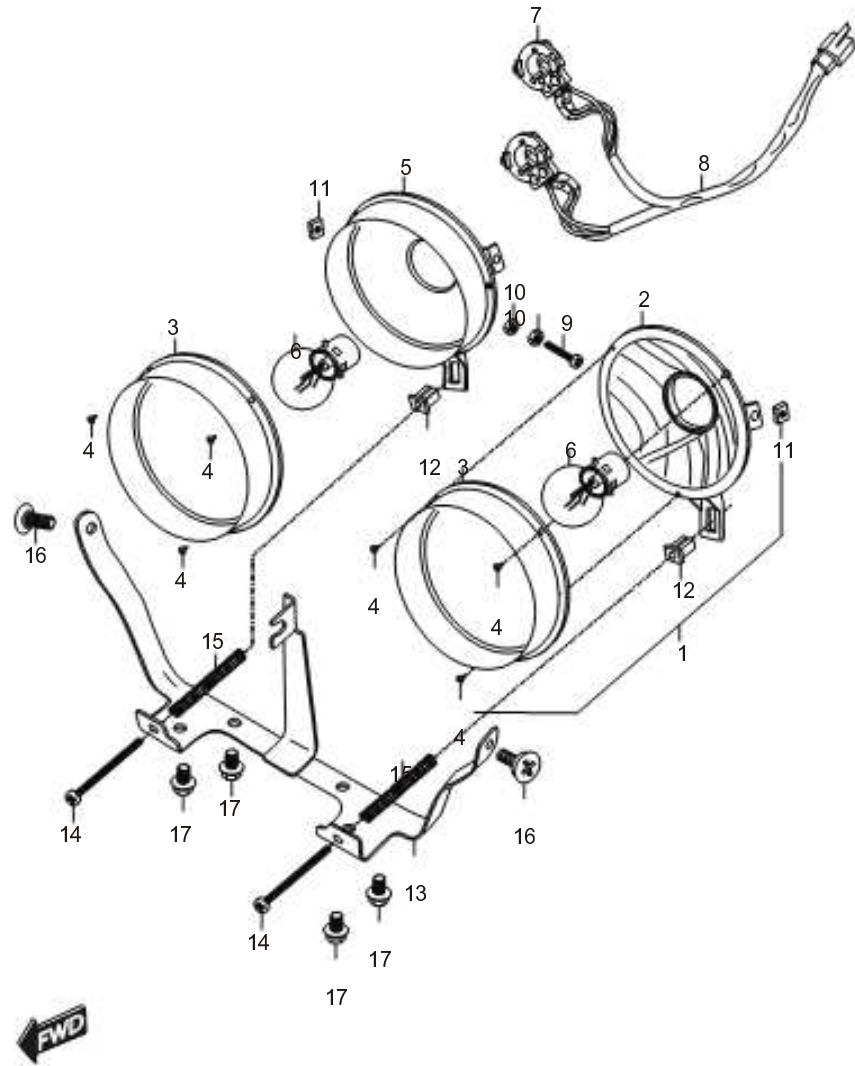
QM50T-10E

C7  
FIG.C7

СПИДОМЕТР

| Ref.No. | Part No.                 | Description        | Q'ty | Remarks |
|---------|--------------------------|--------------------|------|---------|
| 1       | QM50T-10E.64.1-00        | Speedometer assy   | 1    |         |
| 2       |                          | Cover, speedometer | 1    |         |
| 3       |                          | Dial plate assy    | 1    |         |
| 4       |                          | Lower case         | 1    |         |
| 5       |                          | Wire assy          | 1    |         |
| 6       |                          | Bulb               | 5    |         |
| 7       |                          | Screw              | 3    |         |
| 8       |                          | Washer             | 3    |         |
| 9       |                          | Screw              | 2    |         |
| 10      |                          | Washer             | 2    |         |
| 11      | 03411Q040084             | Washer             | 2    |         |
| 12      | GB845-85<br>34910QEK5000 | Screw ST4.2x12     | 2    |         |
| 13      | QM125T-10E.64.2-00       | Cable, speedometer | 1    |         |
|         |                          |                    |      |         |

FIG.C8



QM50T-10E

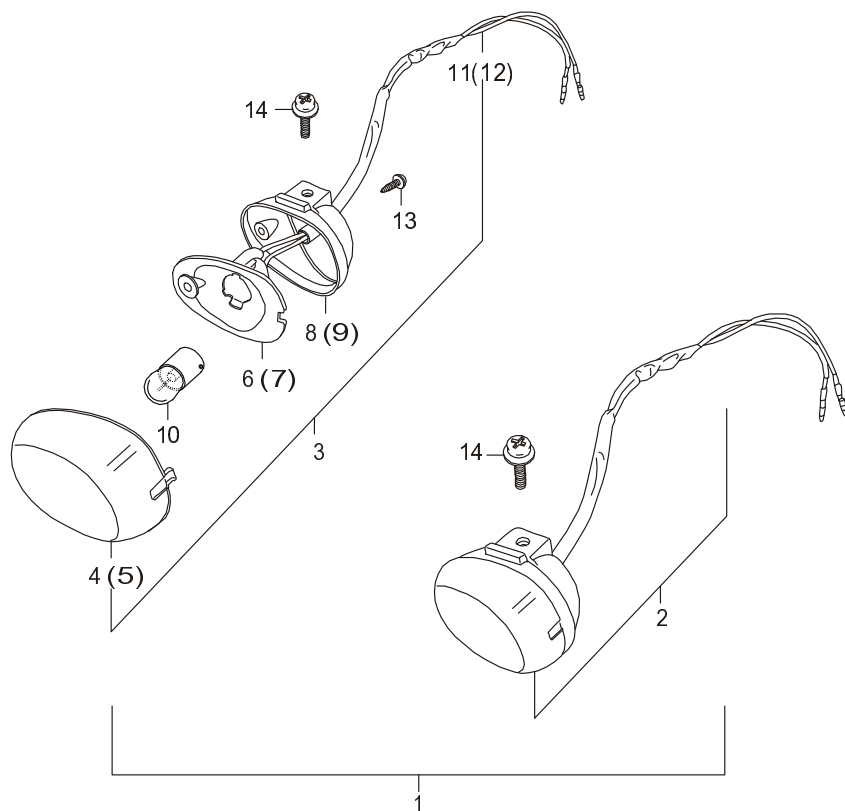
C8

FIG.C8

ΦAPA

| Ref.No. | Part No.                                | Description      | Q'ty | Remarks |
|---------|---|------------------|------|---------|
| 1       | <u>35101OEK5000</u><br>QM125T-10E.62-01 | Headlamp assy    | 1    |         |
| 2       |   | Unit, L          | 1    |         |
| 3       |   | Lens, head lamp  | 2    |         |
| 4       |   | Screw            | 6    |         |
| 5       |   | Unit, R          | 1    |         |
| 6       |   | Bulb             | 2    |         |
| 7       |   | Socket assy      | 2    |         |
| 8       |   | Wire assy, light | 1    |         |
| 9       |   | Screw            | 1    |         |
| 10      |   | Nut              | 2    |         |
| 11      |   | Nut              | 2    |         |
| 12      |   | Plug             | 2    |         |
| 13      | <u>51530OEK5000</u><br>QM125T-10E.62-02 | Bracket          | 1    |         |
| 14      |   | Screw            | 2    |         |
| 15      |   | Spring           | 2    |         |
| 16      |   | Screw            | 2    |         |
| 17      |   | Bolt M6x12       | 4    |         |

FIG.C9



QM50T-10E

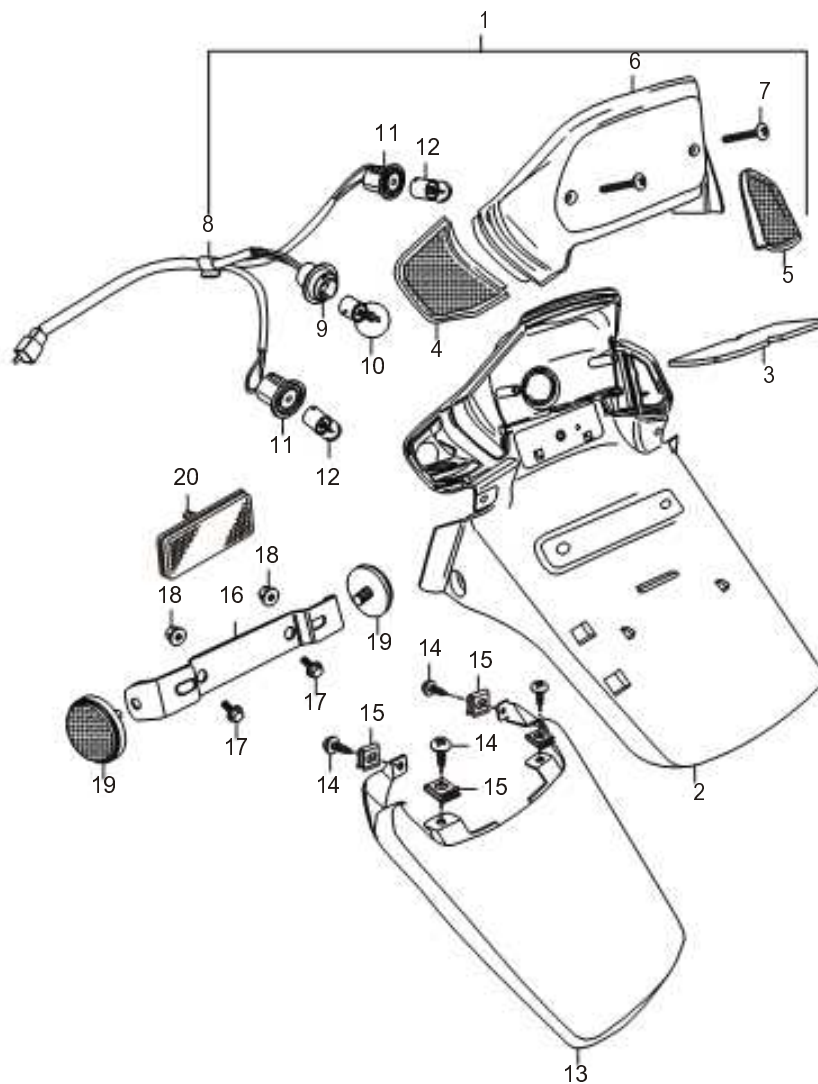
C9

FIG.C9

УКАЗАТЕЛИ ПОВОРОТОВ

| Ref.No. | Part No.                                  | Description                 | Q'ty | Remarks |
|---------|---|-----------------------------|------|---------|
| 1       | <u>35600OEK5000</u><br>QM125T-10E.69-00   | Front winker                | 1    |         |
| 2       | <u>35602OEK5000</u><br>QM125T-10E.69.1-00 | Front winker, LH            | 1    |         |
| 3       | <u>35601OEK5000</u><br>QM125T-10E.69.2-00 | Front winker, RH            | 1    |         |
| 4       |   | Lens, front winker, LH      | 1    |         |
| 5       |   | Lens, front winker RH       | 1    |         |
| 6       |   | Socket assy, LH             | 1    |         |
| 7       |   | Socket assy, RH             | 1    |         |
| 8       |   | Cover, LH front winker      | 1    |         |
| 9       |   | Cover, RH front winker      | 1    |         |
| 10      |   | Bulb                        | 2    |         |
| 11      |   | Wire assy, LH. front winker | 1    |         |
| 12      |   | Wire assy, RH. front winker | 1    |         |
| 13      |   | Screw                       | 2    |         |
| 14      | <u>03451Q250122</u><br>GB9074.3-88        | Screw M5x12                 | 2    |         |

FIG.C10



QM50T-10E

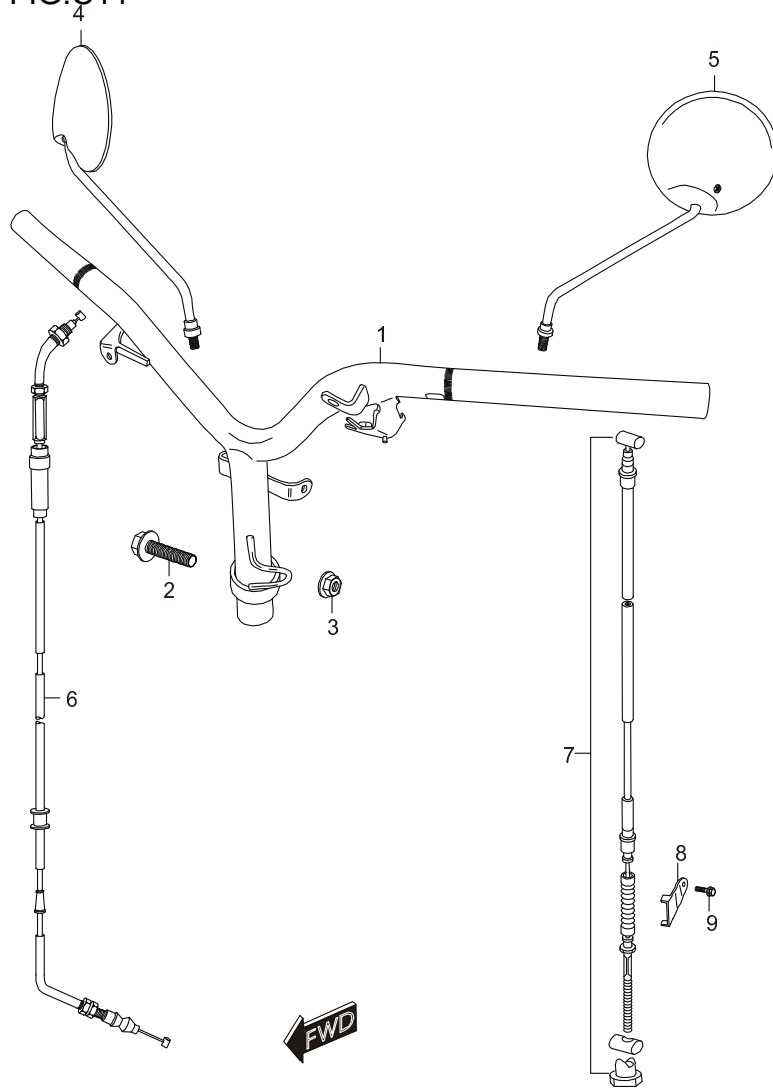
C10

FIG.C10

ФОНАРЬ ЗАДНИЙ

| Ref.No. | Part No.   | Description                 | Q'ty | Remarks |
|---------|--|-----------------------------|------|---------|
| 1       | QM125T-10E.68-00                                 | Lamp assy, rear combination | 1    |         |
| 2       | QM125T-10E.38.1-01                               | Rear fender                 | 1    |         |
| 3       |  | Lens                        | 1    |         |
| 4       |  | Lens, rear LH               | 1    |         |
| 5       |  | Lens, rear RH               | 1    |         |
| 6       |  | Lens, rear lamp             | 1    |         |
| 7       |  | Screw                       | 2    |         |
| 8       |  | Wire assy, rear lamp        | 1    |         |
| 9       |  | Socket assy, taillight      | 1    |         |
| 10      |  | Bulb                        | 1    |         |
| 11      |  | Socket assy, turn signal    | 2    |         |
| 12      |  | Bulb                        | 2    |         |
| 13      | 63311QEK5000<br>QM125T-10E.38.1-02               | Rear fender, underside      | 1    |         |
| 14      | 04010Q40123<br>GB845-85                          | Screw ST4.2x12              | 4    |         |
| 15      | 09148Q040001                                     | Clamp ST4.2                 | 4    |         |
| 16      | 96721QAC5000<br>QM50QT-3E.99.1-1<br>02324Q060121 | Bracket, license plate      | 1    |         |
| 17      | GB5787-86  | Bolt M6x12                  | 2    |         |
| 18      | 05404Q011064<br>GB6177.1-2000                    | Nut M6                      | 2    |         |
| 19      | 35901QEDZ000<br>QM125T-4.74.1-00                 | Reflector, side             | 2    |         |
| 20      | 35902QEDZ000<br>QM125T-4.74.2-00                 | Reflector, rear             | 1    |         |

FIG.C11



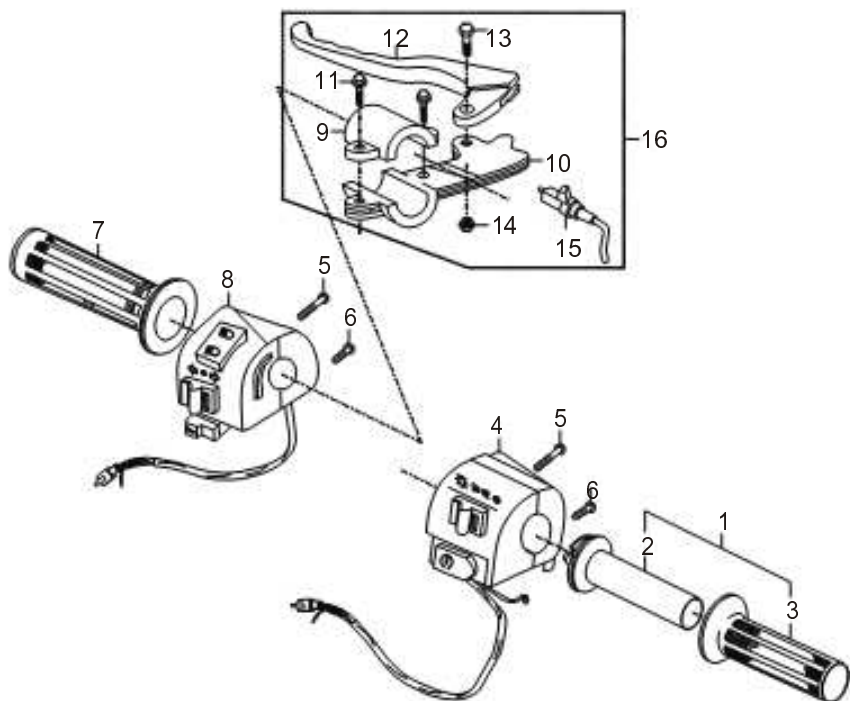
QM50T-10E

C11  
FIG.C11

PYJIB

| Ref.No. | Part No.                                  | Description          | Q'ty | Remarks |
|---------|---|----------------------|------|---------|
| 1       | <u>561100EK5000</u><br>QM125T-10E.32.1-00 | Handle bar           | 1    |         |
| 2       | <u>02504Q100451</u><br>GB/T16674.2-2004   | Bolt M10x1.25x45     | 1    |         |
| 3       | <u>05409Q101101</u><br>GB6187.2-2000      | Nut M10x1.25         | 1    |         |
| 4       |   | Mirror, RH           | 1    |         |
| 5       |   | Mirror, LH           | 1    |         |
| 6       | <u>58300 OAK5000</u><br>QM50T-10E.32.5-00 | Cable assy, throttle | 1    |         |
| 7       | <u>58500OAK5000</u><br>QM50T-10E.32.9-00  | Cable, rear brake    | 1    |         |
| 8       |   | Board, rear brake    | 1    |         |
| 9       | <u>02104Q060122</u><br>GB/T16674          | Bolt M6x12           | 1    |         |

FIG.C12



QM50T-10E

C12

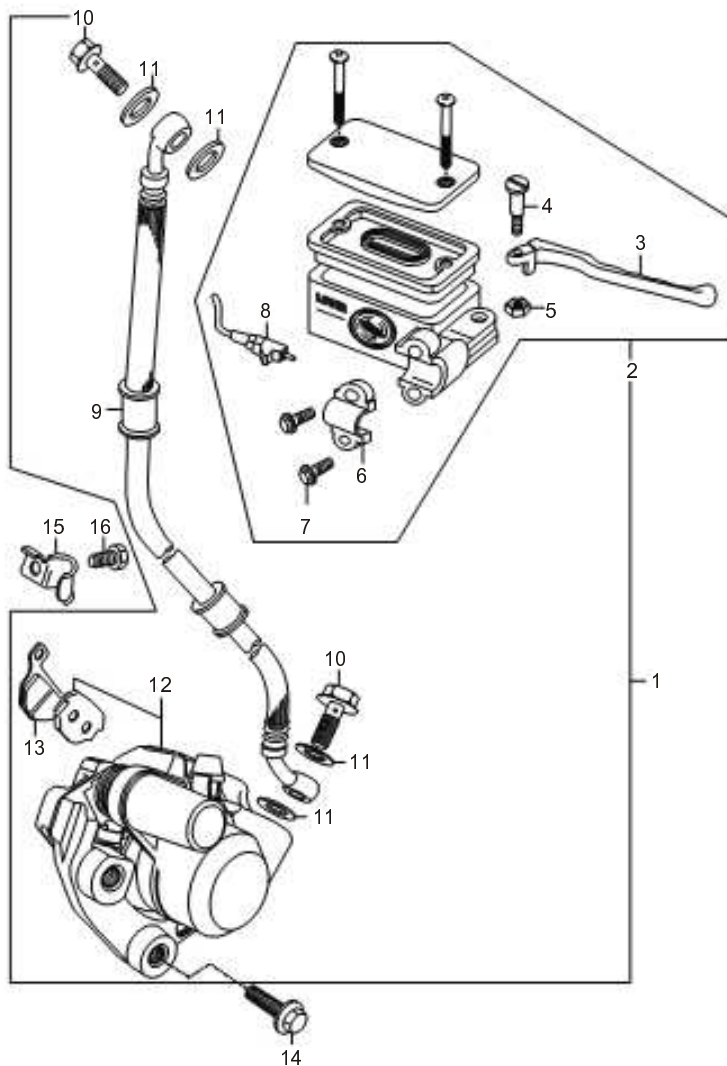
FIG.C12

ПЕРЕКЛЮЧАТЕЛИ РУЛЕВЫЕ

| Ref.No. | Part No.                                | Description            | Q'ty | Remarks |
|---------|---|------------------------|------|---------|
| 1       | <u>57110QLAZ000</u><br>QM125-2.32.3-00  | Grip, throttle         | 1    |         |
| 2       | *                                       | Grip RH                | 1    |         |
| 3       | *                                       | Tube, throttle grip    | 1    |         |
| 4       | <u>37200QAGZ000</u><br>QM50QT-6.66.2-00 | Switch assy. RH handle | 1    |         |
| 5       | <u>03411Q050253</u><br>GB/T818-2000     | Screw M5x25            | 2    |         |
| 6       | <u>03411Q050163</u><br>GB/T818-2000     | Screw M5x16            | 2    |         |
| 7       | <u>57211QLAZ000</u><br>QM125-2.32-2     | Grip LH                | 1    |         |
| 8       | <u>37400QAGZ000</u><br>QM50QT-6.66.1-00 | Switch assy. LH handle | 1    |         |
| 9       | <u>57511QAGZ000</u><br>QM50QT-6.32.2-01 | Cover, rear brake      | 1    |         |
| 10      | QM50QT-3E.32.7-00                       | Bracket, handle LH     | 1    |         |
| 11      | 02104Q060254                            | Bolt M6x25             | 2    |         |
| 12      | <u>57621QAGZ000</u><br>QM50QT-6.32.2-02 | Lever, rear brake      | 1    |         |
| 13      | <u>57634QAGZ000</u><br>QM50QT-6.32.2-03 | Bolt                   | 1    |         |
| 14      | 05409Q041052                            | Nut M5                 | 1    |         |
| 15      |   | Switch assy, stop lamp | 1    |         |
| 16      |   | Rear brake assy        | 1    |         |



FIG.C13



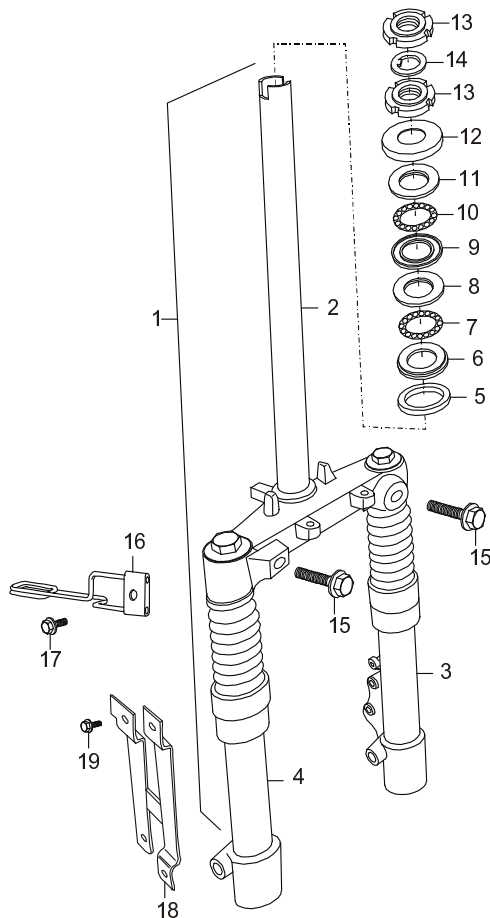
QM50T-10E

C13  
FIG.C13

ПЕРЕДНИЙ ТОРМОЗ

| Ref.No. | Part No.                                  | Description            | Q'ty | Remarks |
|---------|---|------------------------|------|---------|
| 1       | <u>59002OEK5000</u><br>QM125T-10E.83.1-00 | Disk brake assy        | 1    |         |
| 2       |   | Cylinder assy, front   | 1    |         |
| 3       |   | Lever, brake           | 1    |         |
| 4       |   | Screw                  | 1    |         |
| 5       |   | Nut M6                 | 1    |         |
| 6       |   | Holder                 | 1    |         |
| 7       |   | Bolt M6x22             | 2    |         |
| 8       |   | Switch assy, stop lamp | 1    |         |
| 9       |   | Hose, front brake      | 1    |         |
| 10      |   | Bolt                   | 2    |         |
| 11      |   | Washer                 | 4    |         |
| 12      |   | Caliper set            | 1    |         |
| 13      |   | Pad set                | 2    |         |
| 14      | <u>02324Q080321</u><br>GB5789-86          | Bolt M8x32             | 2    |         |
| 15      | QM125T-10E.83-04                          | Clamp, brake hose      | 1    |         |
| 16      | <u>02324Q100122</u><br>GB5789-86          | Bolt M6x12             | 1    |         |

FIG.C14



C14

FIG.C14

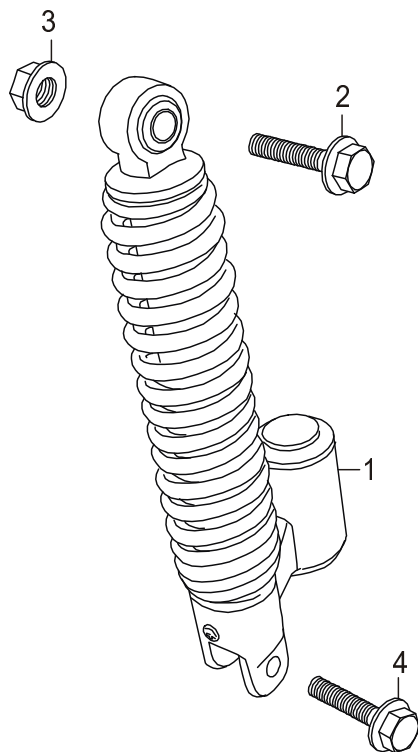
ПЕРЕДНЯЯ ВИЛКА

| Ref.No. | Part No.                                  | Description                    | Q'ty | Remarks |
|---------|---|--------------------------------|------|---------|
| 1       | <u>51000QEK5000</u><br>QM125T-10E.31-00   | Front fork                     | 1    |         |
| 2       | <u>51410QEK5000</u><br>QM125T-10E.31.1-00 | Steering stem                  | 1    |         |
| 3       | <u>51104QEK5000</u><br>QM125T-10E.31.3-00 | Damper assy, front<br>fork LH  | 1    |         |
| 4       | <u>51103QEK5000</u><br>QM125T-10E.31.2-00 | Damper assy, front<br>fork RH  | 1    |         |
| 5       |   | Oil seal                       | 1    |         |
| 6       | <u>51622QEDZ000</u><br>QM125T-4.31-10     | Race, steering outer,<br>lower | 1    |         |
| 7       | <u>05450Q005011</u><br>GB308-77           | Ball 1/4"                      | 19   |         |
| 8       | <u>51612QEDZ000</u><br>QM125T-4.31-11     | Race, steering inner,<br>lower | 1    |         |
| 9       | <u>51611QEDZ000</u><br>QM125T-4.31-12     | Race, steering inner,<br>upper | 1    |         |
| 10      | <u>05450Q002011</u><br>GB308-77           | Ball 3/16"                     | 23   |         |
| 11      | <u>51621QEDZ000</u><br>QM125T-4.31-13     | Race, steering outer,<br>upper | 1    |         |
| 12      | <u>51643QEDZ000</u><br>QM125T-4.31-14     | Dust seal                      | 1    |         |
| 13      | <u>51631QAFZ000</u><br>AG50.31-1          | Nut                            | 2    |         |
| 14      | QM125T-B.31-09                            | Washer                         | 1    |         |
| 15      | <u>01905Q120354</u><br>GB5786-86          | Bolt M12x35x1.25               | 2    |         |
| 16      | <u>51450QED4000</u><br>QM125T-4D.31.4-00  | Clip                           | 1    |         |
| 17      | <u>02104Q060122</u><br>GB/T16674.1-2004   | Bolt M6x12                     | 1    |         |
| 18      | QM125T-10E.99-02                          | Bracket, FR, license<br>plate  | 1    |         |
| 19      | GB5787-86                                 | Bolt M6x12                     | 1    |         |



QM50T-10E

FIG.C15



C15

FIG.C15

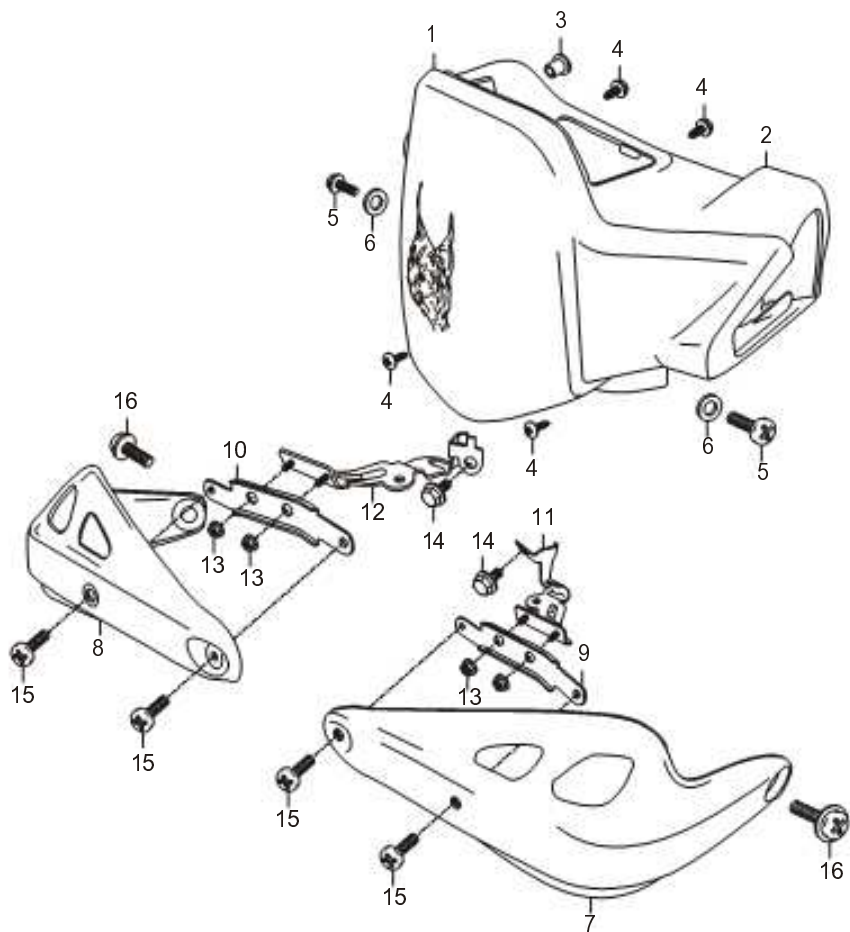
ЗАДНИЙ АММОТИЗАТОР

| Ref.No. | Part No.                             | Description    | Q'ty | Remarks |
|---------|--------------------------------------|----------------|------|---------|
| 1       | QM100T-D.35-00                       | Shock absorber | 1    |         |
| 2       | <u>02324Q100351</u><br>GB5789-86     | Bolt M10x35    | 1    |         |
| 3       | <u>05404Q022101</u><br>GB6177.1-2000 | Nut M10        | 1    |         |
| 4       | <u>02324Q080321</u><br>GB5789-86     | Bolt M8x32     | 1    |         |



QM50T-10E

FIG.C16



QM50T-10E

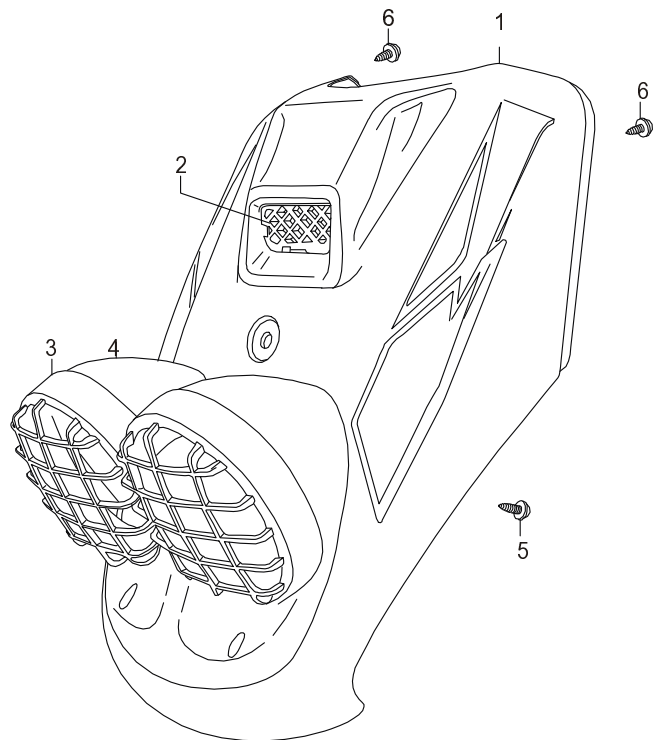
C16

FIG.C16

КРЫШКА РУЛЯ

| Ref.No. | Part No.                | Description            | Q'ty | Remarks |
|---------|-------------------------|------------------------|------|---------|
| 1       | 6311QEK5000             | Cover, front handlebar | 1    |         |
|         | QM125T-10E.46-01        |                        |      |         |
| 2       | 56321QEK5000            | Cover, rear handlebar  | 1    |         |
|         | QM125T-10E.46-02        |                        |      |         |
| 3       | 56316QEK5000            | Rubber plug            | 1    |         |
|         | QM125T-10E.46-03        |                        |      |         |
| 4       | 04010Q041202            | Screw ST4.2x12         | 4    |         |
|         | GB845-85                |                        |      |         |
| 5       | GB823-88                | Screw M5x12            | 2    |         |
| 6       |                         | Washer 5               | 2    |         |
| 7       | 56361QEK5000            | Cover, LH              | 1    |         |
|         | QM125T-10E.46-25        |                        |      |         |
| 8       | 56351QEK5000            | Cover, RH              | 1    |         |
|         | QM125T-10E.46-24        |                        |      |         |
| 9       | <del>56420QEK5000</del> | Holder, LH             | 1    |         |
|         | QM125T-10E.32.4-00      |                        |      |         |
| 10      | 56430QEK5000            | Holder, RH             | 1    |         |
|         | QM125T-10E.32.3-00      |                        |      |         |
| 11      | 56410QEK5000            | Bracket, LH            | 1    |         |
|         | QM125T-10E.32.2-00      |                        |      |         |
| 12      | 56420QEK5000            | Bracket, RH            | 1    |         |
|         | QM125T-10E.32.5-00      |                        |      |         |
| 13      | 05404Q011052            | Nut M5                 | 4    |         |
|         | GB6170-86               |                        |      |         |
| 14      | 02324Q060122            | Bolt M6x12             | 2    |         |
|         | GB5787-86               |                        |      |         |
| 15      | GB823-88                | Screw M5x12            | 2    |         |
| 16      | GB9074.8-88             | Screw M6x16            | 2    |         |

FIG.C17



QM50T-10E

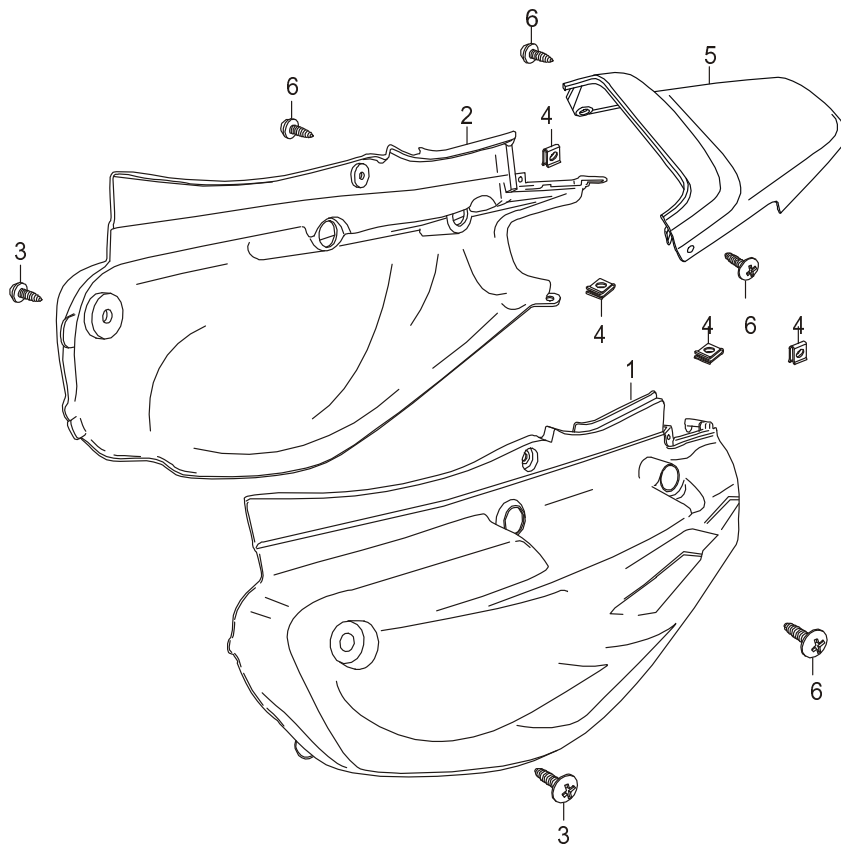
C17

FIG.C17

КРЫШКА ПЕРЕДНЯЯ

| Ref.No. | Part No.                                | Description       | Q'ty | Remarks |
|---------|---|-------------------|------|---------|
| 1       | <u>481110EK5000</u><br>QM125T-10E.46-04 | Shield leg, front | 1    |         |
| 2       | <u>481130EK5000</u><br>QM125T-10E.46-05 | Cover, horn       | 1    |         |
| 3       | <u>485110EK5000</u><br>QM125T-10E.46-27 | Circle, headlight | 1    |         |
| 4       | <u>485210EK5000</u><br>QM125T-10E.46-22 | Seat, headlight   | 1    |         |
| 5       | <u>04010Q041603</u><br>GB845-85         | Screw ST4.2x16    | 1    |         |
| 6       | <u>04010Q041203</u><br>GB845-85         | Screw ST4.2x12    | 2    |         |

FIG.C18



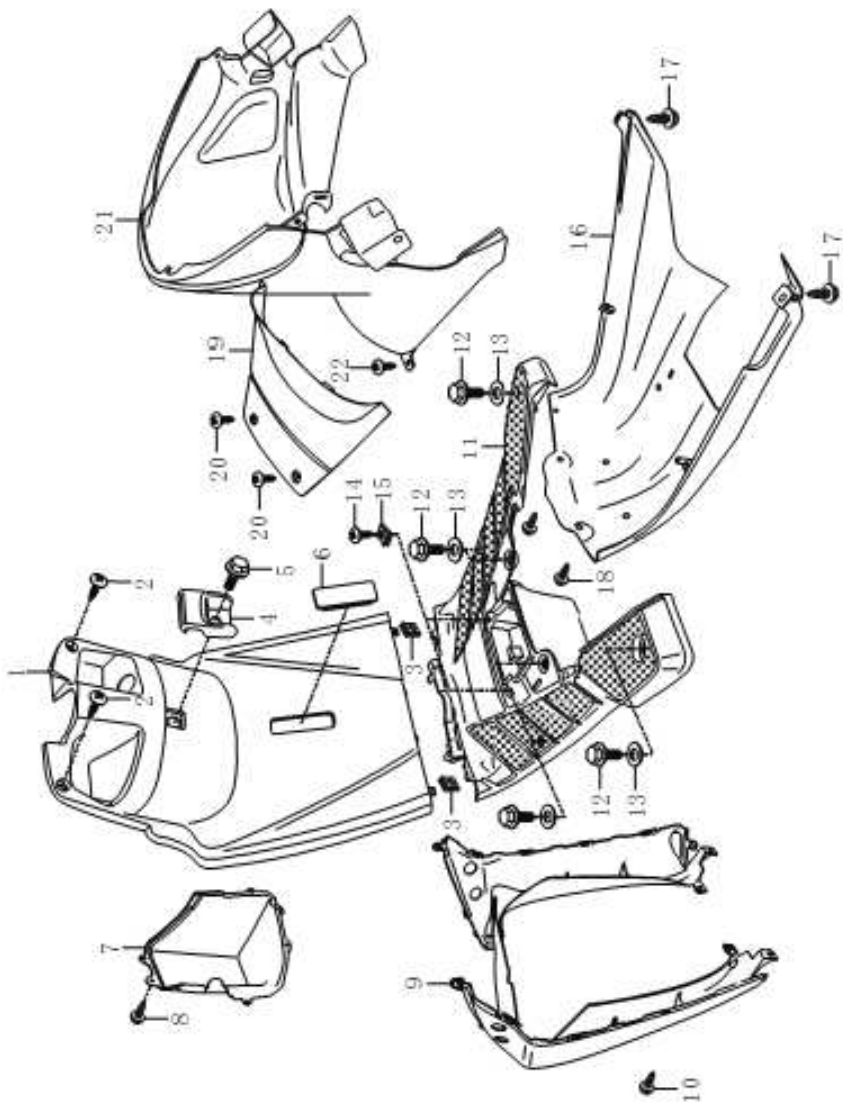
QM50T-10E

C18  
FIG.C18

КРЫШКИ РАМЫ

| Ref.No. | Part No.                                | Description      | Q'ty | Remarks |
|---------|---|------------------|------|---------|
| 1       | <u>47111OEK5000</u><br>QM125T-10E.46-19 | Cover body, RH   | 1    |         |
| 2       | <u>47211OEK5000</u><br>QM125T-10E.46-20 | Cover body, LH   | 1    |         |
| 3       | <u>04010Q041603</u><br>GB845-85         | Screw ST4.2x16   | 2    |         |
| 4       | <u>09148Q040001</u>                     | Nut ST4.2        | 4    |         |
| 5       | <u>47321OEK5000</u><br>QM125T-10E.46-21 | Cover Rr. center | 1    |         |
| 6       | <u>04010Q051203</u><br>GB845-85         | Screw ST4.8x12   | 4    |         |

FIG.C19



QM50T-10E

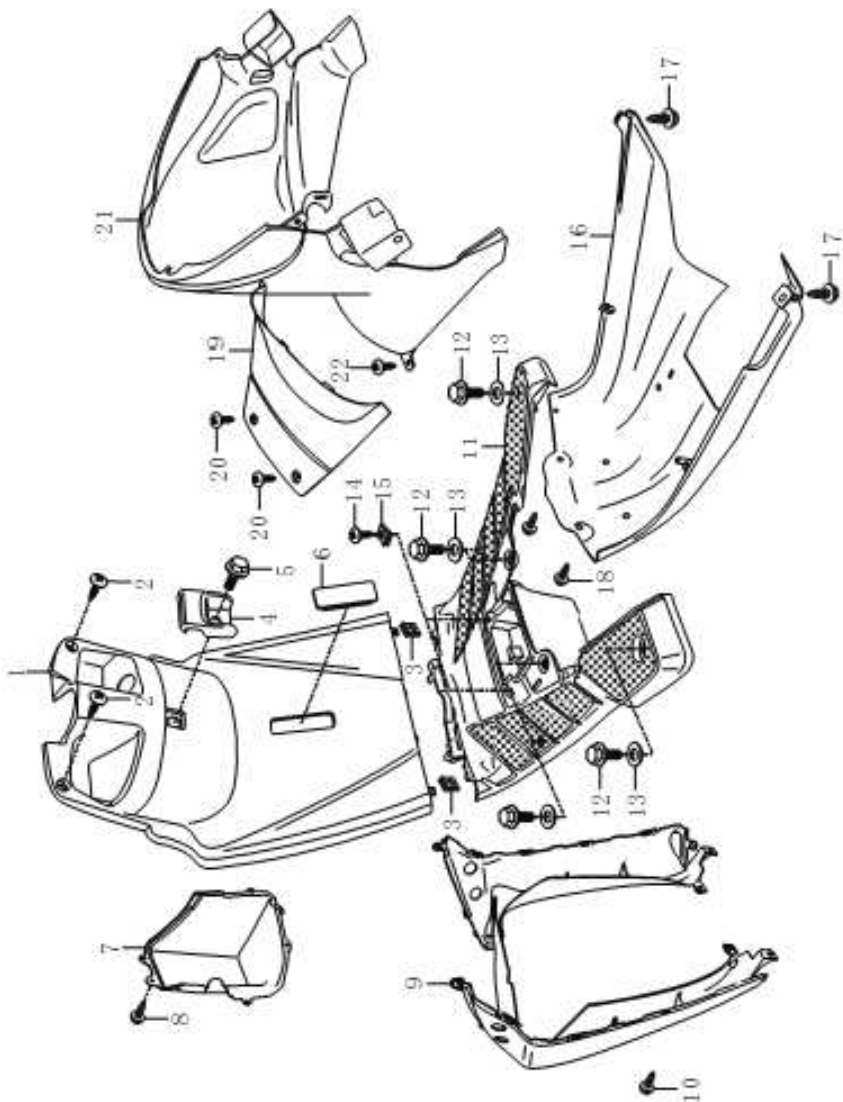
C19

FIG.C19

ПЛАСТИК ВНУТРЕННИЙ

| Ref.No. | Part No.                                | Description      | Q'ty | Remarks |
|---------|---|------------------|------|---------|
| 1       | <u>92110QEK5000</u><br>QM125T-10E.46-06 | Shield inner box | 1    |         |
| 2       | <u>04010Q041203</u><br>GB845-85         | Screw ST4.2x12   | 2    |         |
| 3       | 09148Q040001                            | Nut ST4.2        | 2    |         |
| 4       | <u>92518QEK5000</u><br>QM125T-10E.46-13 | Hook luggage     | 1    |         |
| 5       | <u>02324Q060121</u><br>GB5789-86        | Bolt M6x12       | 1    |         |
| 6       | <u>92121QEK5000</u><br>QM125T-10E.46-14 | Lid leg shield   | 1    |         |
| 7       | <u>92131QEK5000</u><br>QM125T-10E.46-07 | Toolbox          | 1    |         |
| 8       | <u>04010Q041203</u><br>GB845-85         | Screw ST4.2x12   | 8    |         |
| 9       | <u>48137QEK5000</u><br>QM125T-10E.46-10 | Shield down      | 1    |         |
| 10      | <u>04010Q041603</u><br>GB845-85         | Screw ST4.2x16   | 2    |         |
| 11      | <u>48121QEK5000</u><br>QM125T-10E.46-08 | Floor panel      | 1    |         |
| 12      | <u>02324Q060121</u><br>GB5787-86        | Bolt M6x12       | 6    |         |
| 13      | 09169Q060017                            | Washer d6.5x18x6 | 6    |         |
| 14      | <u>04010Q041603</u><br>GB845-85         | Screw ST4.2x16   | 2    |         |
| 15      | 09148Q040001                            | Nut ST4.2        | 2    |         |
| 16      | <u>48138QEK5000</u><br>QM125T-10E.46-15 | Cover, under     | 1    |         |
| 17      | <u>04010Q041603</u><br>GB845-85         | Screw ST4.2x16   | 2    |         |
| 18      | <u>04010Q051203</u><br>GB845-85         | Screw ST4.8x12   | 2    |         |
| 19      | <u>33642QEK5000</u><br>QM125T-10E.46-18 | Cover battery    | 1    |         |

FIG.C19



QM50T-10E

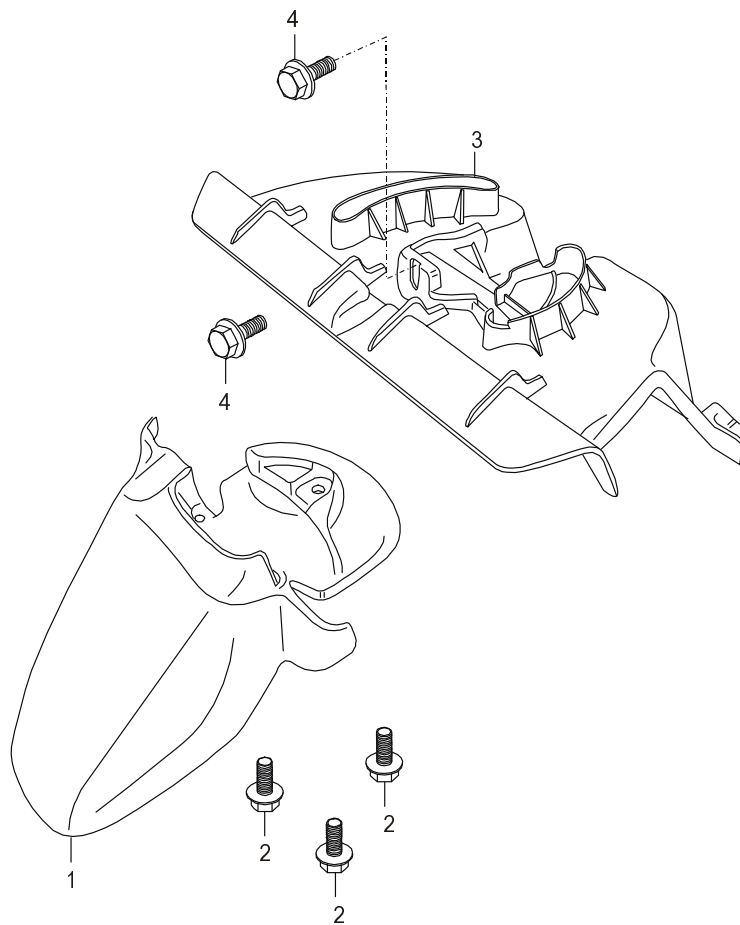
C19  
FIG.C19

ПЛАСТИК ВНУТРЕННИЙ

| Ref.No. | Part No.                                | Description    | Q'ty | Remarks |
|---------|---|----------------|------|---------|
| 20      | <u>04010Q051203</u><br>GB845-85         | Screw ST4.8x12 | 2    |         |
| 21      | <u>48141QEK5000</u><br>QM125T-10E.46-09 | Cover, center  | 1    |         |
| 22      | <u>04010Q051203</u><br>GB845-85         | Screw ST4.8x12 | 2    |         |



FIG.C20



QM50T-10E

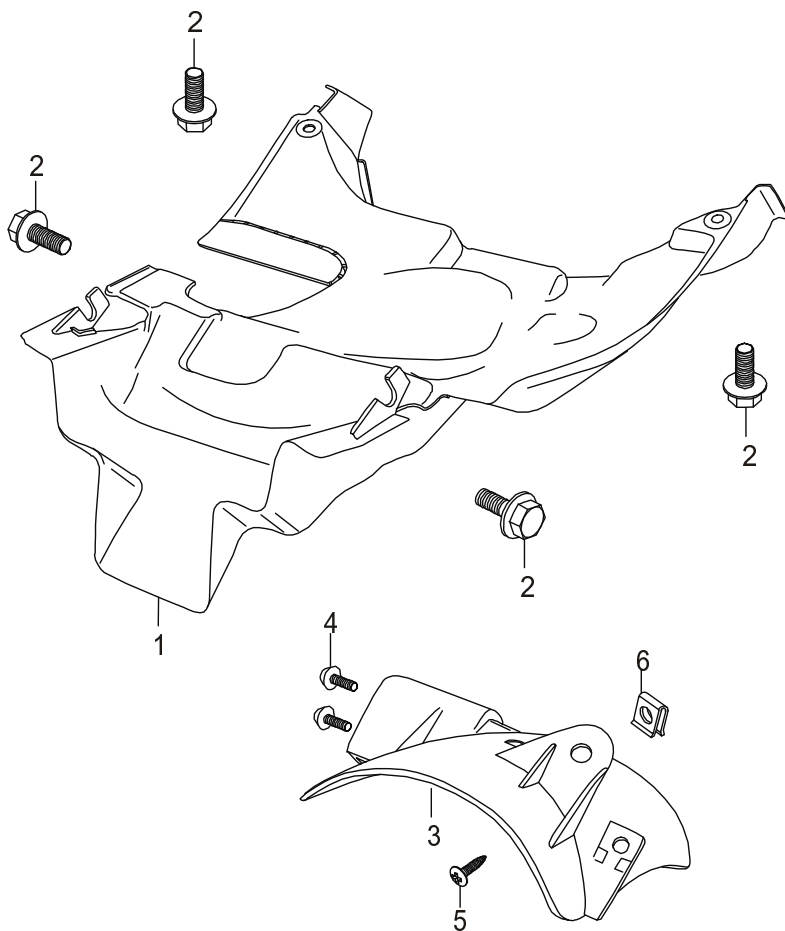
C20

FIG.C20

КРЫЛО ПЕРЕДНЕЕ

| Ref.No. | Part No.                                  | Description        | Q'ty | Remarks |
|---------|---|--------------------|------|---------|
| 1       | <u>48127OEK5000</u><br>QM125T-10E.46-16   | Front fender       | 1    |         |
| 2       | GB5787-86                                 | Bolt M6x16         | 3    |         |
| 3       | <u>53101OEK5000</u><br>QM125T-10E.37.1-00 | Fender lower front | 1    |         |
| 4       | <u>02324Q060121</u><br>GB5787-86          | Bolt M6x12         | 2    |         |

FIG.C21



QM50T-10E

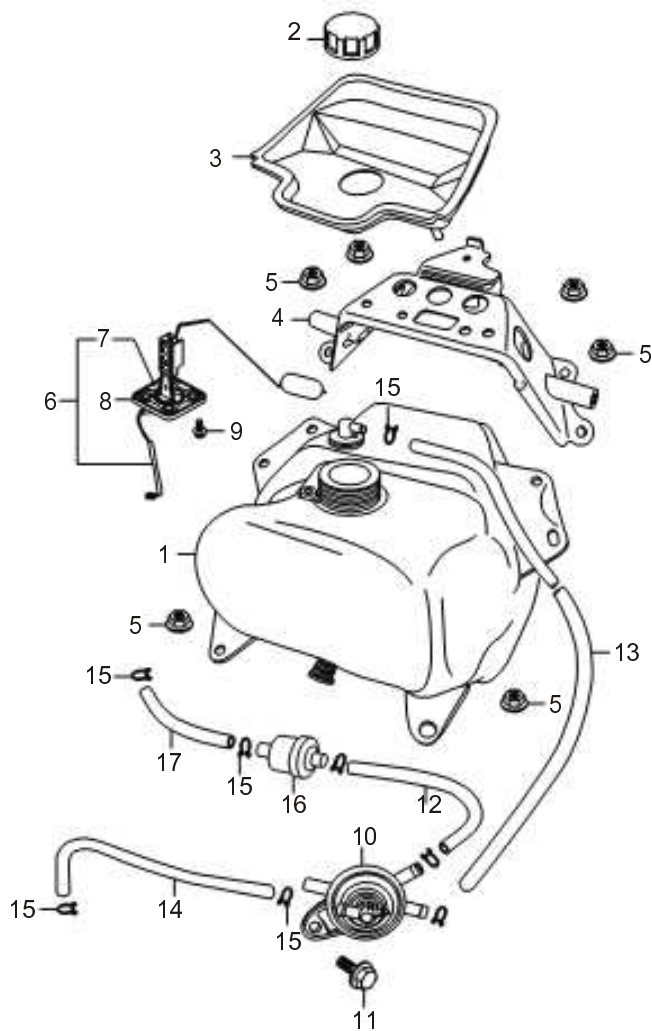
C21

FIG.C21

КРЫЛО ЗАДНЕЕ

| Ref.No. | Part No.                                | Description    | Q'ty | Remarks |
|---------|---|----------------|------|---------|
| 1       | <u>48129QEK5000</u><br>QM125T-10E.46-17 | Rear fender    | 1    |         |
| 2       | <u>02324Q060121</u><br>GB5787-86        | Bolt M6x12     | 4    |         |
| 3       |   | Small fender   | 1    |         |
| 4       | GB973-85                                | Bolt M6x16     | 2    |         |
| 5       | <u>04010Q041203</u><br>GB845-85         | Screw ST4.2x12 | 1    |         |
| 6       | 09148Q040001                            | Clip 4.2       | 1    |         |

FIG.C22



**FWD**  
QM50T-10E

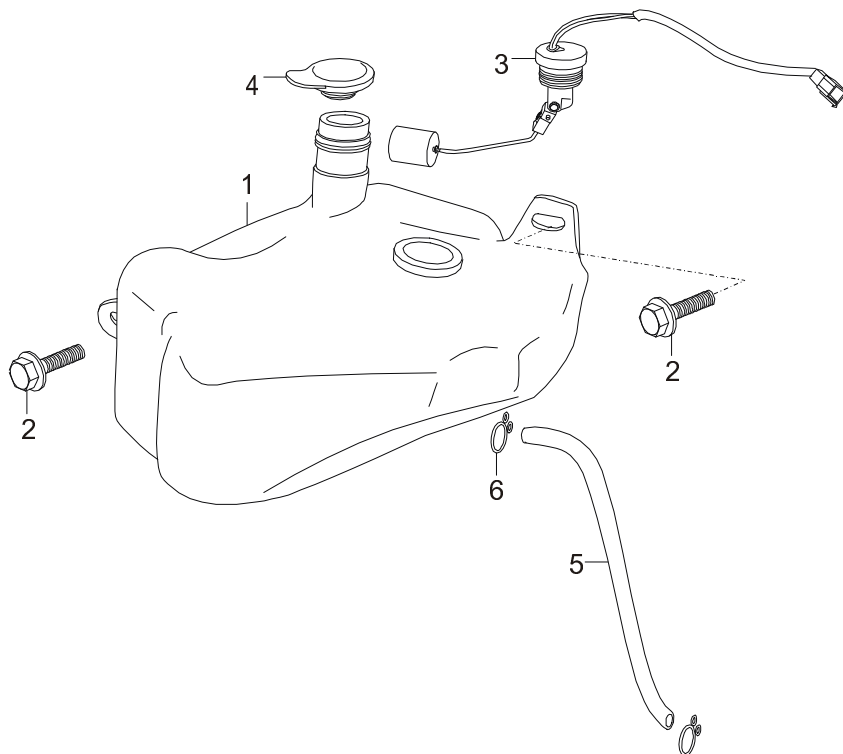
C22

FIG.C22

БЕНЗОБАК

| Ref.No. | Part No.                                  | Description            | Q'ty | Remarks |
|---------|---|------------------------|------|---------|
| 1       | <u>44110QEK5000</u><br>QM125T-10E.44.1-00 | Tank comp              | 1    |         |
| 2       | <u>44200QKG3000</u><br>QM100-7C.44.2-00   | Cap, fuel tank         | 1    |         |
| 3       | QM125T-10E.41-02                          | Plate, fuel guide      | 1    |         |
| 4       | QM125T-10E.30.3-00                        | Back holder, fuel tank | 1    |         |
| 5       | <u>05404Q011064</u><br>GB6177.1-2000      | Nut M6                 | 6    |         |
| 6       | <u>34800QEK5000</u><br>QM125T-10E.77-00   | Gauge assy, fuel tank  | 1    |         |
| 7       | *QM125T-10E.44.2-01                       | Packing                | 1    |         |
| 8       | *QM125T-10E.44.2-02                       | Bracket, gauge assy    | 1    |         |
| 9       | <u>02324Q060121</u><br>GB5787-86          | Bolt M6x12             | 4    |         |
| 10      | <u>44300QAEZ000</u><br>AG50.44.2-00       | Switch assy, fuel tank | 1    |         |
| 11      | GB5787-86                                 | Bolt M6x12             | 1    |         |
| 12      | <u>44411QEA1000</u><br>QM125T-A.44-01     | Hose, fuel             | 1    |         |
| 13      | <u>44425QEA1000</u><br>QM125T-A.44-02     | Hose                   | 1    |         |
| 14      |   | Hose                   | 1    |         |
| 15      | 09401Q084001                              | Clamp, oil hose        | 8    |         |
| 16      | <u>44360QKG3000</u>                       | Filter, fuel           | 1    |         |
| 17      |   | Hose                   | 1    |         |

FIG.C23



C23

FIG.C23

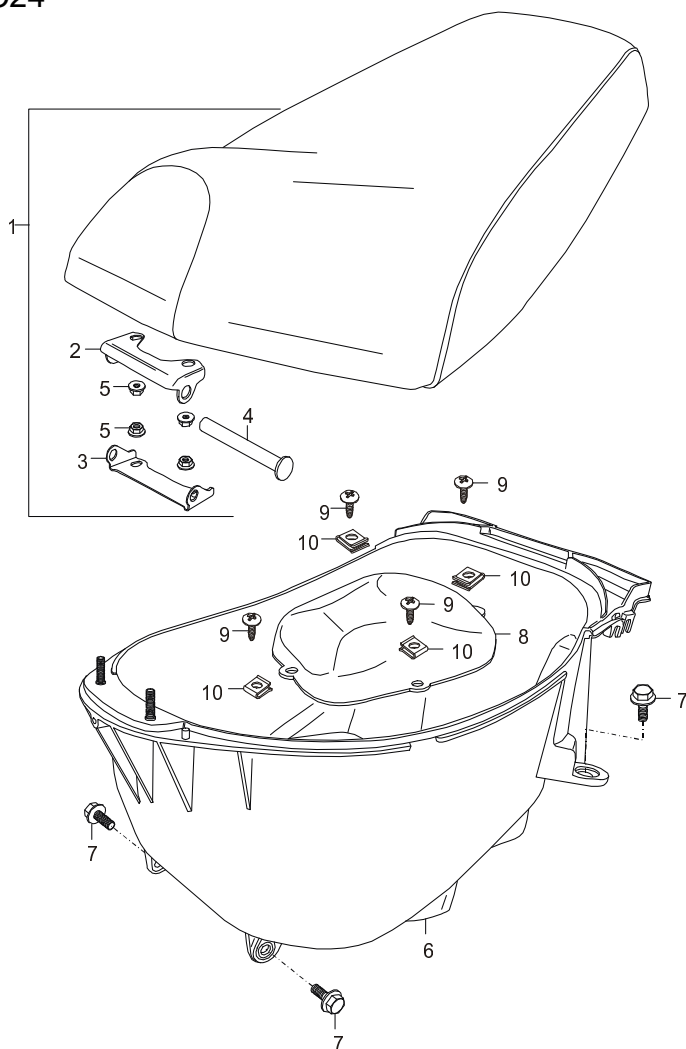
МАСЛЯНЫЙ БАК

| Ref.No. | Part No. | Description          | Q'ty | Remarks |
|---------|----------|----------------------|------|---------|
| 1       |          | Oil tank             | 1    |         |
| 2       |          | Bolt M6x16           | 2    |         |
| 3       |          | Gauge assy, oil tank | 1    |         |
| 4       |          | Cap, oil tank        | 1    |         |
| 5       |          | Hose, oil            | 1    |         |
| 6       |          | Clip                 | 2    |         |



QM50T-10E

FIG.C24



**FWD**  
QM50T-10E

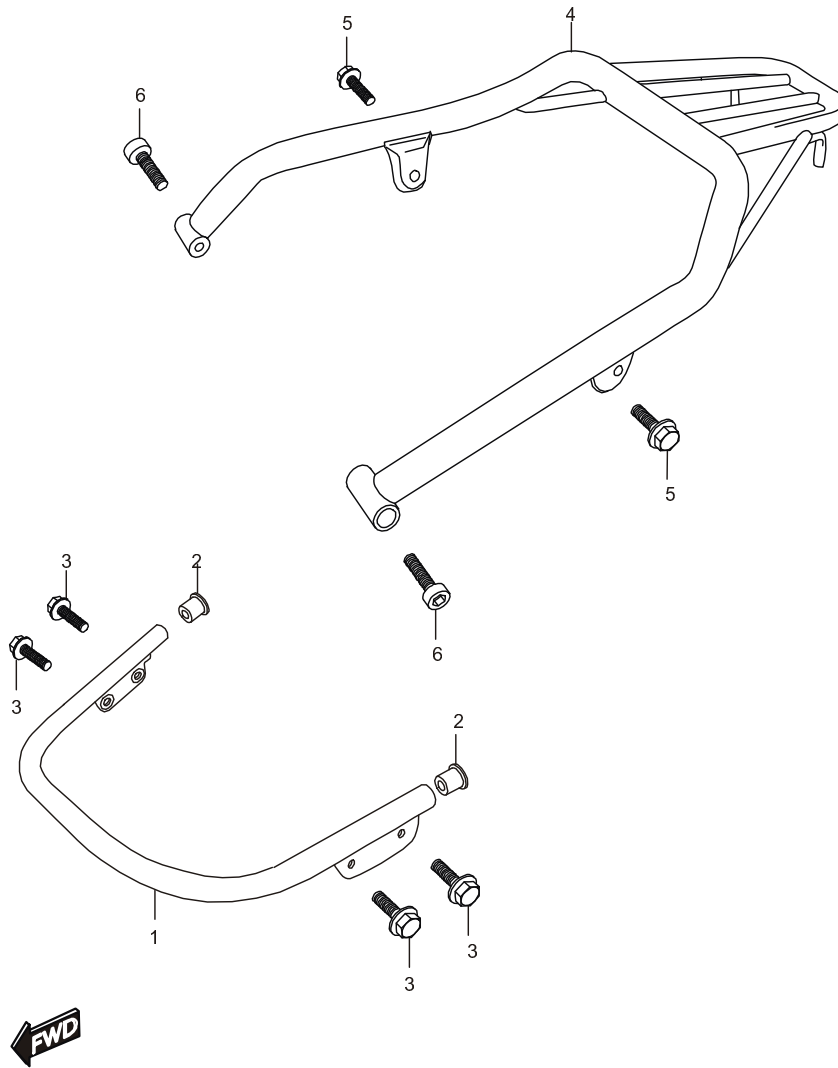
C24

FIG.C24

СИДУШКА

| Ref.No. | Part No.                                  | Description                    | Q'ty | Remarks |
|---------|---|--------------------------------|------|---------|
| 1       | <u>45100QEK5000</u><br>QM125T-10E.36.1-00 | Seat assy                      | 1    |         |
| 2       | <u>45271QEK5000</u><br>QM125T-10E.36-8    | Link bracket comp, seat, upper | 1    |         |
| 3       | <u>45261QEK5000</u><br>QM125T-10E.36-9    | Link bracket comp, seat, lower | 1    |         |
| 4       | <u>45273QEK5000</u><br>QM125T-10E.36-7    | Pin                            | 1    |         |
| 5       | <u>05404Q011064</u><br>GB/T6177.1-2000    | Nut M6                         | 4    |         |
| 6       | <u>92211QEK5000</u><br>QM125T-10E.46-11   | Box luggage                    | 1    |         |
| 7       | <u>02324Q060121</u><br>GB5789-86          | Bolt M6x12                     | 4    |         |
| 8       | <u>92212QEK5000</u><br>QM125T-10E.46-12   | Cover above carburetor         | 1    |         |
| 9       | <u>04010Q041203</u><br>GB845-85           | Screw ST4.2x16                 | 4    |         |
| 10      | <u>09148Q040001</u>                       | Nut ST4.2                      | 4    |         |

FIG.C25



QM50T-10E

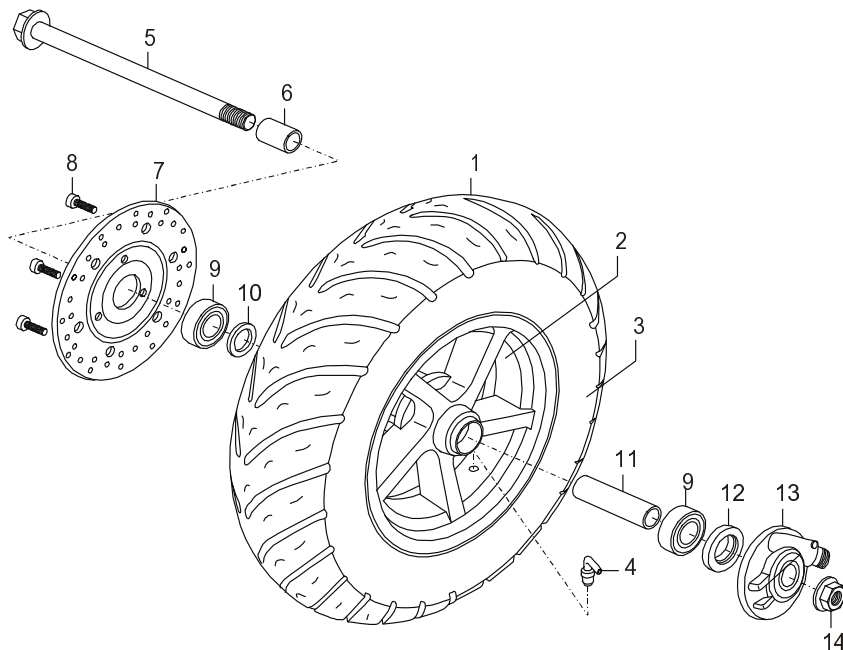
C25

FIG.C25

БАГАЖНИК

| Ref.No. | Part No.            | Description         | Q'ty | Remarks |
|---------|---------------------|---------------------|------|---------|
| 1       | <u>94710QEK5000</u> | Protector, Headlamp | 1    |         |
| 2       | QM125T-10E.99.1-00  | Rubber plug         | 2    |         |
|         | QM125T-10E.99.1-01  |                     |      |         |
| 3       | GB5787-86           | Bolt M6x12          | 4    |         |
| 4       | <u>46310QEK5000</u> | Carrier comp, rear  | 1    |         |
|         | QM125T-10E.40.1-00  |                     |      |         |
| 5       | <u>02324Q100161</u> | Bolt M6x16          | 2    |         |
|         | GB5789-86           |                     |      |         |
| 6       | <u>03611Q006351</u> | Bolt M6x35          | 2    |         |
|         | GB6190-86           |                     |      |         |

FIG.C26



QM50T-10E

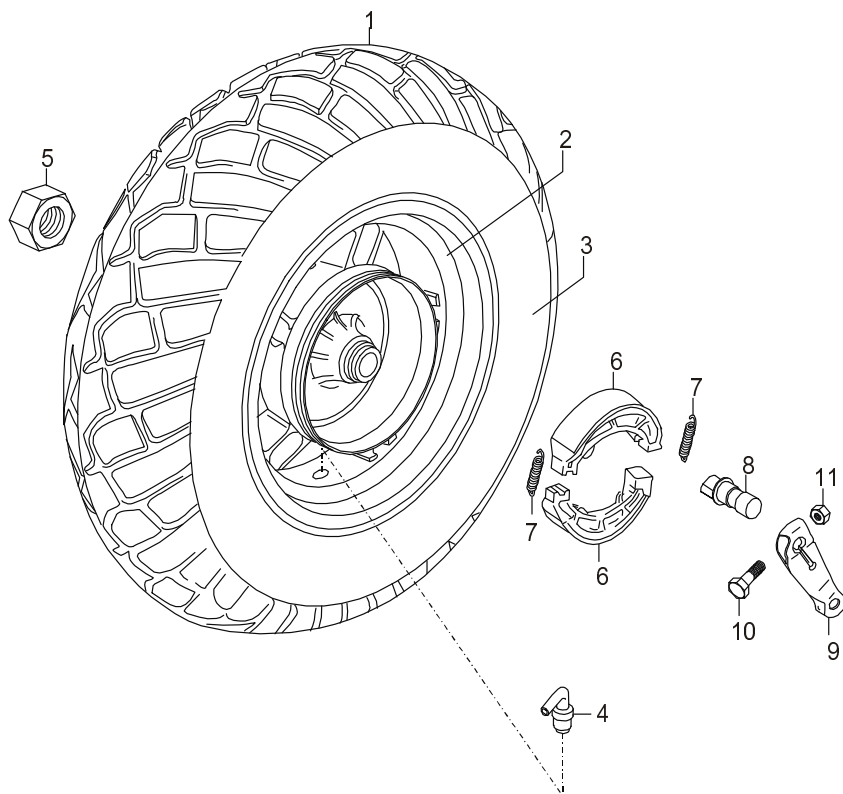
C26

FIG.C26

ДИСК ПЕРЕДНИЙ

| Ref.No. | Part No.                           | Description                 | Q'ty | Remarks |
|---------|------------------------------------|-----------------------------|------|---------|
| 1       | 54000QEK5000<br>QM125T-10E.33-00   | Front wheel                 | 1    |         |
| 2       | 54111QEK5000<br>QM125T-10E.33-1    | Rim, front wheel            | 1    |         |
| 3       | 55110QEK5000<br>QM125T-10E.33-05   | Tyre, front120/90-10        | 1    |         |
| 4       | 06110Q020107<br>GB/T3900-2003      | Valve assy, wheel rim       | 1    |         |
| 5       | 54711QEK5000<br>QM125T-10E.33-2    | Axle, front M10x 258        | 1    |         |
| 6       | 54741QEK5000<br>QM125T-10E.33-6    | Spacer, front LH            | 1    |         |
| 7       | 59211QEK5000<br>QM125T-10E.83-01   | Disk, front brake           | 1    |         |
| 8       | 59221QEK5000<br>QM125T-10E.83-02   | Bolt M8x25                  | 3    |         |
| 9       | 05409Q006300<br>GB/T276-94         | Bearing 6300                | 2    |         |
| 10      |                                    | O-ring                      | 1    |         |
| 11      | 54731QEK5000<br>QM125T-10E.33-03   | Spacer, front wheel bearing | 1    |         |
| 12      | 54217QEK5000<br>QM125T-10E.33-07   | Oil seal 20x35x7            | 1    |         |
| 13      | 54600QEK5000<br>QM125T-10E.33.1-00 | Box assy, speedometer gear  | 1    |         |
| 14      | 05409Q091101                       | Nut M10                     | 1    |         |

FIG.C27



QM50T-10E

C27

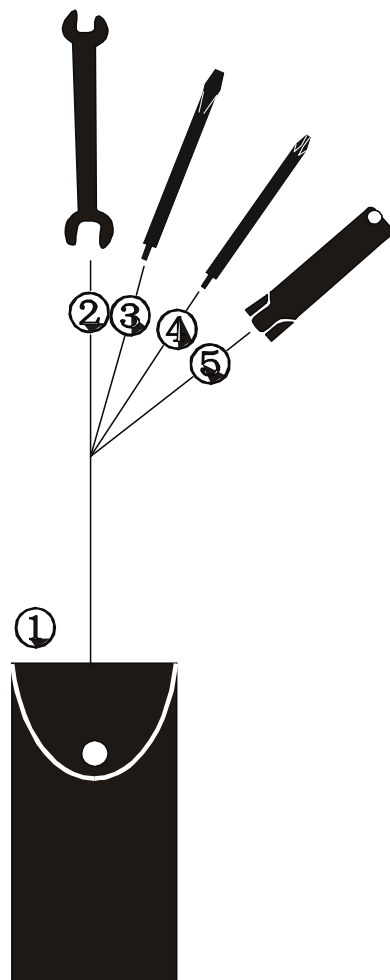
FIG.C27

ДИСК ЗАДНИЙ

| Ref.No. | Part No.                                | Description           | Q'ty | Remarks |
|---------|---|-----------------------|------|---------|
| 1       | <u>64000ODA4000</u><br>QM100T-D.34-00   | Wheel, rear           | 1    |         |
| 2       | <u>64150ODA4000</u><br>QM100T-D.34.1-01 | Rim, rear wheel       | 1    |         |
| 3       | <u>55110OEK5000</u><br>QM125T-10E.33-05 | Tyre, rear 120/90-10  | 1    |         |
| 4       | <u>06110Q020107</u><br>GB/T3900-2003    | Valve assy, wheel rim | 1    |         |
| 5       | <u>05409Q09161</u><br>GB6187.2-2000     | Nut M16               | 1    |         |
| 6       | <u>64401OEK4000</u><br>QM100T-D.34.1-01 | Shoe, brake           | 1    |         |
| 7       | <u>64461ODA4000</u><br>QM100T-D.34.1-04 | Spring                | 2    |         |
| 8       | <u>64441ODA4000</u><br>QM100T-D.34-03   | Shaft cam, real brake | 1    |         |
| 9       | <u>64451ODA4000</u><br>QM100T-D.34.1-02 | Swinging arm          | 1    |         |
| 10      | <u>01604Q06321</u><br>GB/T5783-2000     | Bolt M6x32            | 1    |         |
| 11      | GB6170-2000                             | Nut M6                | 1    |         |



FIG.C28



C28  
FIG.C28

ИНСТРУМЕНТ

| Ref.No. | Part No.     | Description       | Q'ty | Remarks |
|---------|--------------|-------------------|------|---------|
| 1       | 09811Q000002 | Bag, tool         | 1    |         |
| 2       | 09813Q000004 | Spanner           | 1    |         |
| 3       | 09814Q000006 | Screwdriver       | 1    |         |
| 4       | 09814Q000005 | Screwdriver       | 1    |         |
| 5       | 09816Q000001 | Spark plug wrench | 1    |         |

QM50T-10E