



## КАТАЛОГ ЗАПЧАСТЕЙ

**EAGLE 200/250**

**QM200-2A, QM250**

[www.SkyBike.com.ua](http://www.SkyBike.com.ua)

## **Внимание!**

**Для заказа запчастей необходимо в каталоге найти страницу с изображением интересующей вас детали. В левом верхнем углу написан код рисунка. Номер детали указан возле изображения детали. Например для заказа прокладки глушителя, для модели FORTUNE 50, вы пишете в заявке – "FIG.13 – 8 Прокладка глушителя" (или название на английском из каталога) и необходимое количество. Если группа деталей объединена скобкой, это значит, что детали продаются в комплекте.**

**После того, как вы определились с выбором детали, вы можете сделать заказ, уточнить наличие на складе, цену, позвонив по телефонам указанным на [сайте](#) или отправьте запрос на наш e-mail: [repair@skybike.com.ua](mailto:repair@skybike.com.ua)**

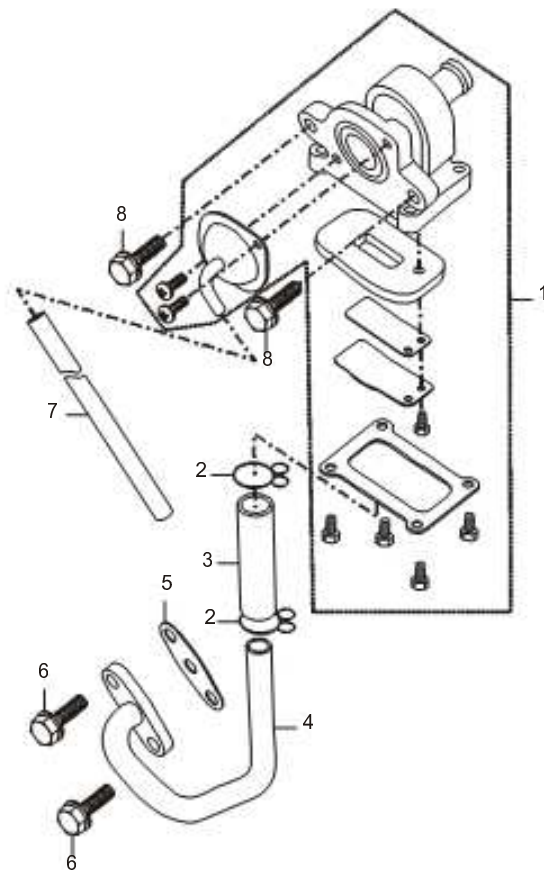
## КАТАЛОГ ЗАПЧАСТЕЙ

. No.		Стр
FIG.17	СИСТЕМА ОЧИСТКИ ГАЗОВ	1
FIG.18	ВОЗДУШНЫЙ ФИЛЬТР	2
FIG.19	ГЛУШИТЕЛЬ	3
FIG.20	ЭЛЕКТРИЧЕСКИЕ ЧАСТИ	4
FIG.21	ПРОВОДКА	5
FIG.22	АККУМУЛЯТОР	6
FIG.23	ФАРА	7
FIG.24	ФАРА	9
FIG.24A	ФАРА	11
FIG.24B	ФАРА	12
FIG.24C	ФАРА	14
FIG.25	ЛАМПЫ ГАБОРИТОВ	16
FIG.25A	ЛАМПЫ ГАБОРИТОВ	17
FIG.26	УКАЗАТЕЛИ ПОВОРОТОВ	19
FIG.26A	УКАЗАТЕЛИ ПОВОРОТОВ	20
FIG.27	УКАЗАТЕЛИ ПОВОРОТОВ	21
FIG.27A	УКАЗАТЕЛИ ПОВОРОТОВ	22
FIG.28	ФОНАРЬ ЗАДНИЙ	23
FIG.28A	ФОНАРЬ ЗАДНИЙ	25
FIG.29	РУЛЬ	26
FIG.30	ПЕРЕКЛЮЧАТЕЛИ РУЛЕВЫЕ	28
FIG.31	ПЕРЕДНИЙ ТОРМОЗ	29

## КАТАЛОГ ЗАПЧАСТЕЙ

. No.		Стр
FIG.32	СУППОРТ	30
FIG.33	КРЫШКИ РАМЫ	32
FIG.34	РАМА	33
FIG.35	ПОДНОЖКИ	34
FIG.35A	ПОДНОЖКИ	35
FIG.36	БЕНЗОБАК	36
FIG.37	СИДУШКА	37
FIG.38	СПИНКА СИДУШКИ	38
FIG.38A	СПИНКА СИДУШКИ	39
FIG.39	КРЫЛО ПЕРЕДНЕЕ	40
FIG.40	КРЫЛО ЗАДНЕЕ	41
FIG.40A	КРЫЛО ЗАДНЕЕ	42
FIG.41	ПОДНОЖКИ	43
FIG.42	ТРАВЕРСА	44
FIG.43	АММОТИЗАТОРЫ ПЕРЕДНИЕ	46
FIG.43A	АММОТИЗАТОРЫ ПЕРЕДНИЕ	48
FIG.44	ЗАДНИЙ АММОТИЗАТОР	49
FIG.45	РЫЧАГ ЗАДНИЙ	50
FIG.46	ЗАДНИЙ ТОРМОЗ	51
FIG.47	КОЛЕСО ПЕРЕДНЕЕ	52
FIG.48	КОЛЕСО ЗАДНЕЕ	53
FIG.49	ИНСТРУМЕНТ	55
FIG.50	КОФРЫ	56

FIG.17



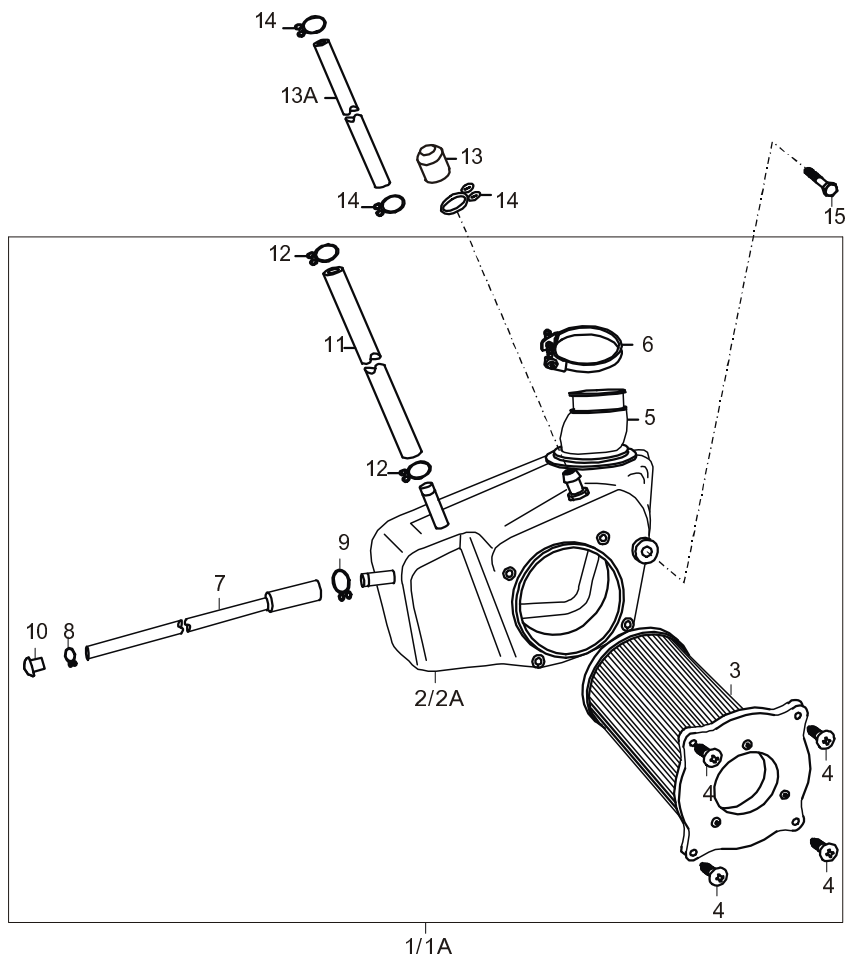
QM200-2A

17  
FIG.17

СИСТЕМА ОЧИСТКИ КАРТЕРНЫХ ГАЗОВ

Ref.No.	Part No.	Description	Q'ty	Remarks
1		Valve assy, secondly air supply	1	
2		Clip	2	
3		Hose, connect	1	
4		Pipe, intake	1	
5		Gasket	1	
6		Bolt M6x20	2	
7		Hose, rubber	1	
8		Bolt M6x16	2	

FIG.18



18

FIG.18

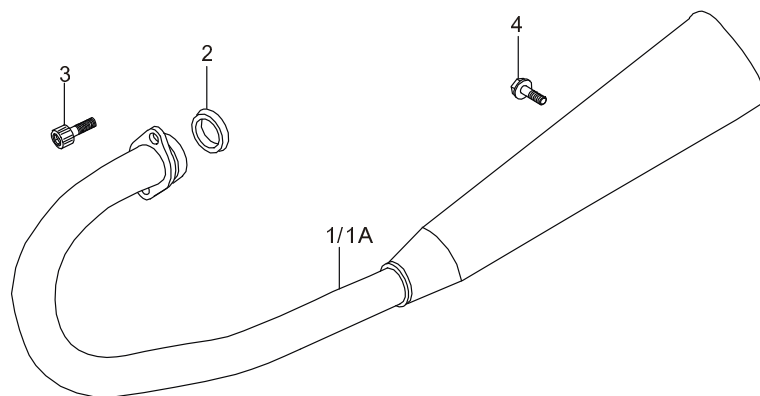
ВОЗДУШНЫЙ ФИЛЬТР

Ref.No.	Part No.	Description	Q'ty	Remarks
1	<u>13701QMM1000</u> QM200-2A.11.1-00	Air cleaner assy	1	
1A		Air cleaner assy	1	
2	13720QMD2000	Case, cleaner	1	
2A		Case, cleaner	1	
3	<u>13780QMD2000</u> 162FMJ.11.1-00	Filter	1	
4	<u>04010Q021003</u> GB845-85	Screw ST2.9x10	3	
5	<u>13881QMM1000</u> K166FML.11-03	Tube, outlet	1	
6	<u>13826QMM1000</u> K166FML.11.2-00	Clamp	1	
7	<u>13878QMD2000</u> 162FMJ.11-08	Pipe comp	1	
8		Clip I	1	
9		Clip II	1	
10	13877QMD2000	Plug	1	
11	13853QMD2000	Air pipe	1	
12	09401Q163004	Clip III	2	
13		Plug pipe	1	
13A	d11xd16x540	Pipe, exhaust	1	
14		Clip	1	



QM200-2A

FIG.19



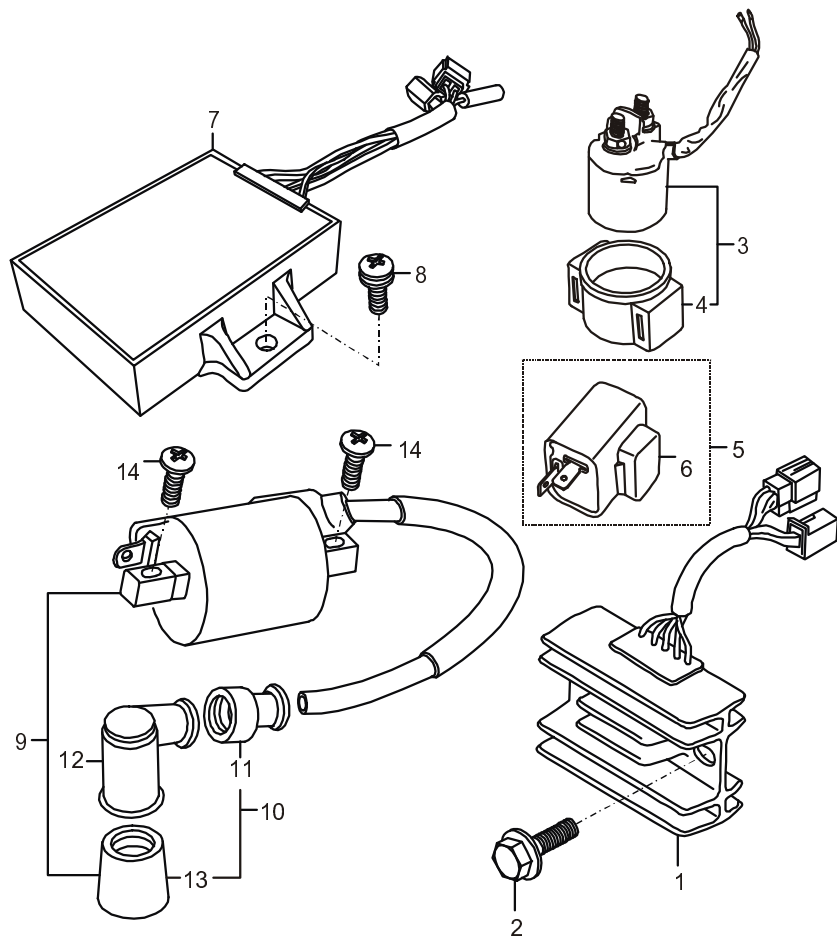
QM200-2A

19  
FIG.19

ГЛУШИТЕЛЬ

Ref.No.	Part No.	Description	Q'ty	Remarks
1	<u>143010MM1000</u> QM200-2A.09.1-00	Exhaust muffler assy	1	
1A		Exhaust muffler assy	1	
2	<u>141810MM1000</u> K166FML.09-03	Gasket, exhaust pipe	1	
3	GB70-85	Bolt M8x25	2	
4	<u>021040100255</u> GB/T16674-2000	Bolt M10x25	1	

FIG.20



QM200-2A

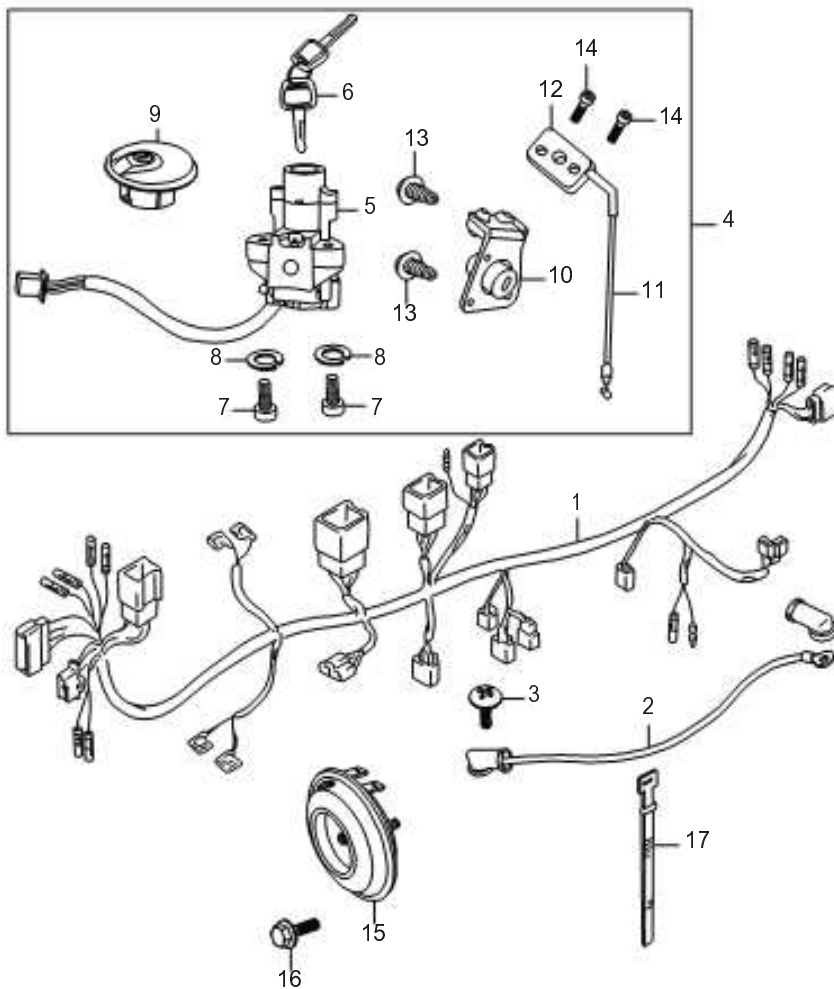
20

FIG.20

ЭЛЕКТРИЧЕСКИЕ ЧАСТИ

Ref.No.	Part No.	Description	Q'ty	Remarks
1	<u>32800QMM1000</u> QM200-2A.71-00	Rectifier assy	1	
2	GB5787-86	Bolt M6x16	2	
3	<u>31800QMM1000</u> QM150L-4B.70-00	Relay assy, starting motor	1	
4	31851QMD2000	Bracket, starter relay	1	
5	<u>38600QMM1000</u> QM200-2A.72-00	Flasher	1	
6	38628QMD2000	Bracket, flasher	1	
7	K166FML.07.3-00	Igniter unit	1	
8	GB9074.14-88	Screw M5x12	2	
9	K166FML.07.2-0	Coil, ignition	1	
10		Adaptor	1	
11		Jacket, wiring	1	
12		Cap, spark plug	1	
13		Cover, spark plug cap	1	
14	GB818-85	Screw M5x30	2	

FIG.21



QM200-2A

21

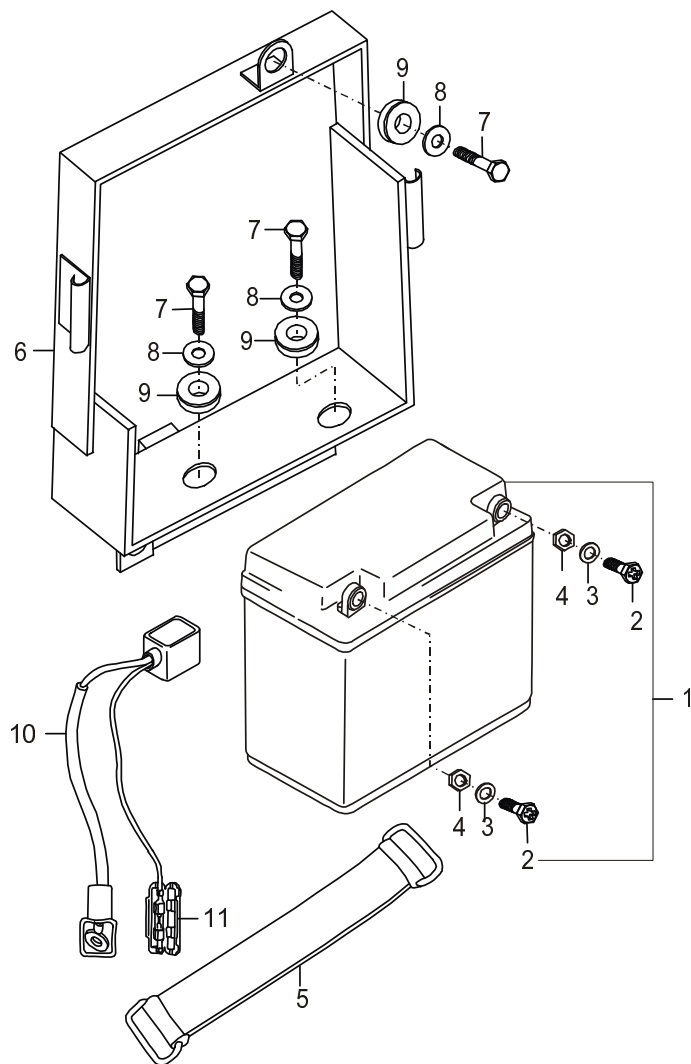
FIG.21

ПРОВОДКА

Ref.No.	Part No.	Description	Q'ty	Remarks
1	36601QMM1000	Wiring harness	1	
2	QM200-2A	Lead wire, starting motor	1	
3	GB818-86	Screw M5x10	1	
4	37100QMD2000 QM150L-4B.65.1-00	Switch assy	1	
5	37101QMD2000 QM150L-4B.65.1.1-00	Switch, ignition	1	
6	37158QMD2000 QM150L-4B.65-01	Key	2	
7	03614Q008251 GB/T70.1-2000	Screw M8x25	2	
8	05421Q011081 GB/T93-1987	Washer spring 8	2	
9	44200QMD2020	Cap set, fuel tank	1	
10	45801QMD2000 QM150L-4B.65.3.2-00	Lock set, seat	1	
11	45280QMD2000	Cable, lock seat	1	
12	45716QMD2000 QM150L-4B.36.1.1-01	Bracket, lock seat	1	
13	04010Q031001	Screw ST4x10	2	
14	03421Q060301 GB/T819	Screw M6x30	2	
15	38501QLAZ000 QM125-2.63-00(EC)	Horn assy	1	
16	02104Q080162 GB/T16674.1-2004	Bolt M8x16	1	
17	ZD200x7	Band	6	



FIG.22



QM200-2A

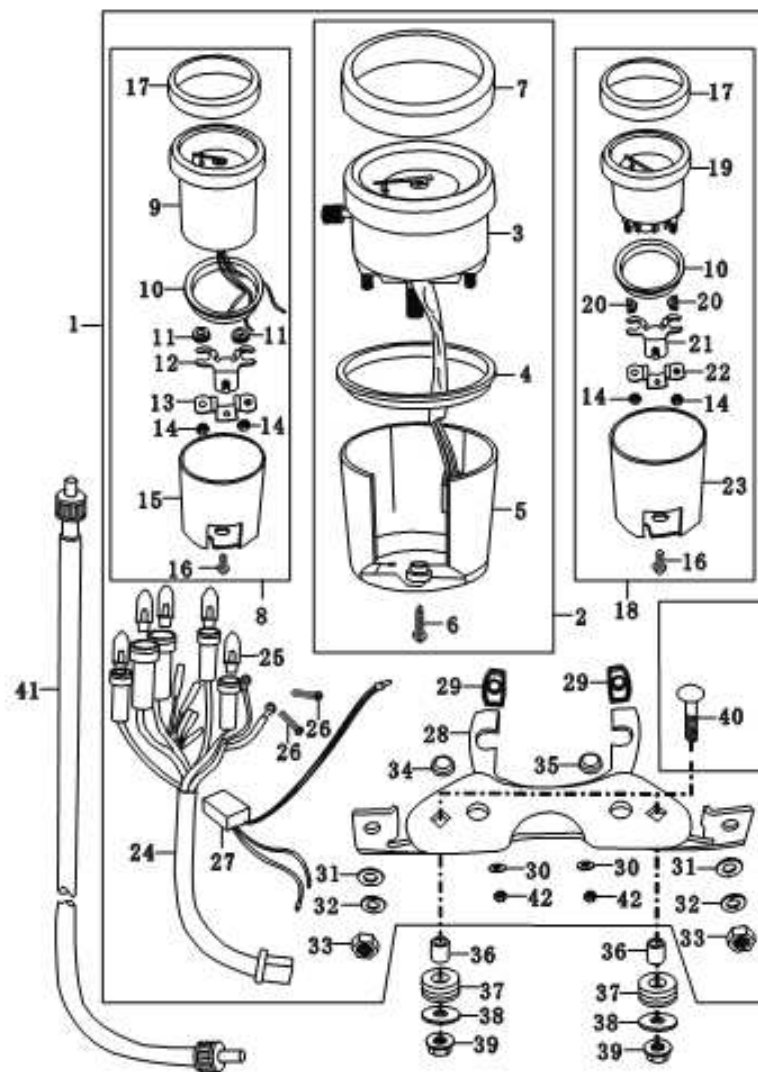
22

FIG.22

АККУМУЛЯТОР

Ref.No.	Part No.	Description	Q'ty	Remarks
1	<u>33601QMD2000</u> QM150L-4B.60.1-00	Battery assy	1	
2	01102Q060121	Bolt M6x12	2	
3	<u>05420Q041051</u> GB848-85	Washer 5	2	
4	<u>05405Q011051</u> GB39-88	Nut M5	2	
5	<u>09462Q000001</u> GS125.60.2-00	Band comp	1	
6	<u>41540QMD2000</u> QM150L-4B.60.3-00	Holder, battery	1	
7	<u>01401Q060201</u> GB/T5781-2000	Bolt M6x20	3	
8	<u>05420Q052061</u> GB/96.1-2002	Washer 6	3	
9	<u>33651QMD2000</u> QM150L-4B.60-01	Cushion	3	
10	<u>33820QMD2000</u> QM150L-4B.67-00	Wire, battery plus lead	1	
11	07114Q011203	Fuse	2	

FIG.23



QM200-2A

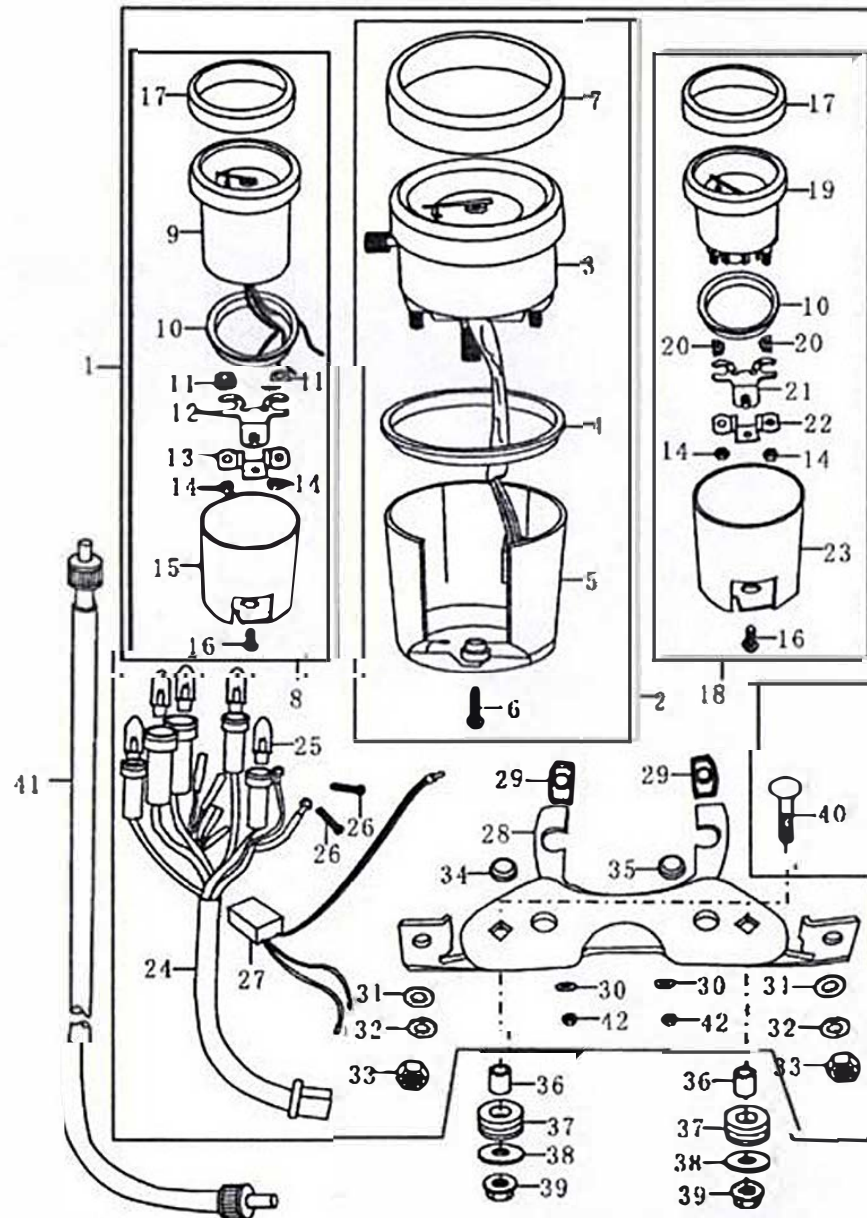
23

FIG.23

СПИДОМЕТР

Ref.No.	Part No.	Description	Q'ty	Remarks
1	<u>34101QMD2020</u> QM150L-4B(III).64.1.1-00	Speedometer assy	1	
2	<u>34102QMD2020</u> QM150L-4B(III)64.1.1-00	Speedometer assy	1	
3	34110QMD2020	Case, meter	1	
4	34193QMD2000	Seal strip	1	
5	36383QMD2000	Hood, meter	1	
6	<u>04010Q041601</u> GB/T845-85	Screw ST4.2x16	1	
7	34198QMD2000	Cover	1	
8	34200QMD2000	Tachometer assy	1	
9	34201QMD2000	Body, tachometer	1	
10	34293QMD2000	Seal strip	2	
11	34286QMD2000	Gasket	2	
12	34291QMD2000	Bracket, upper	1	
13	34292QMD2000	Bracket, lower	1	
14	<u>05401Q011061</u> GB/T6170-2000	Nut M6	4	
15	34261QMD2000	Hood, meter	1	
16	<u>03411Q040081</u> GB/T818-2000	Screw M4x8	2	
17	34262QMD2000	Cover	2	
18	34400QMD2000	Voltage meter assy	1	
19	34401QMD2000	Body, voltage meter	1	
20	34482QMD2000	Gasket	2	
21	34491QMD2000	Plate, upper	1	

FIG.23



QM200-2A

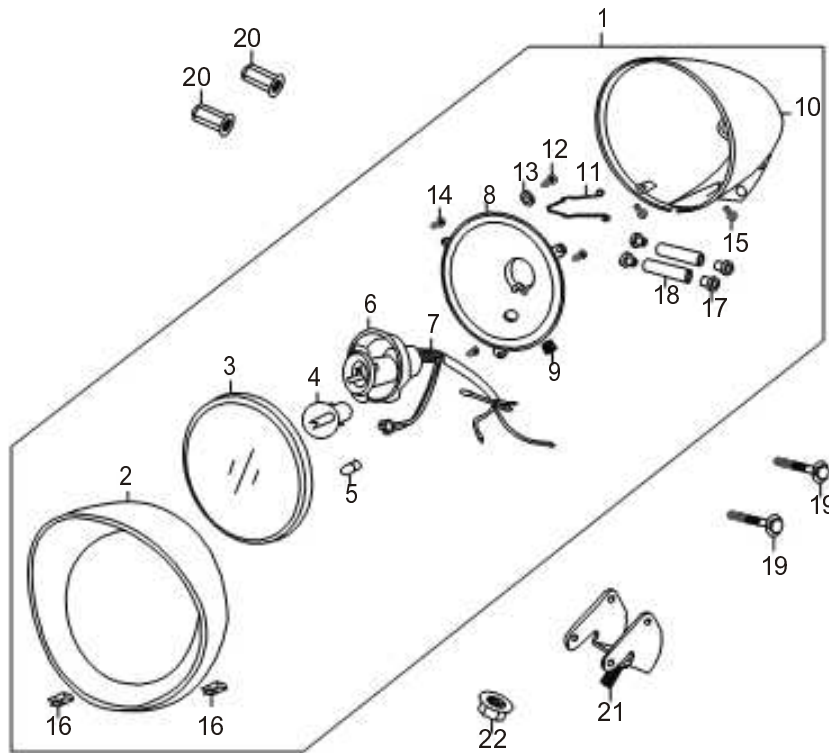
23

FIG.23

СПИДОМЕТР

Ref.No.	Part No.	Description	Qty	Remarks
22	34492QMD2000	Plate, lower	1	
23	34461QMD2000	Hood, meter	1	
24	34170QMD2020	Cable assy	1	
25	07112Q010101	Bulb 12V2W	5	
26	03411Q040301 GB/T818-2000	Screw M4 x 30	2	
27	36470QMD2000	Indicator incoming cal	1	
28	34950QMD2020 QM150L-4B(III).64.1.1.1-00	Bracket	1	
29	3419(QMD2020 QM150L-4B(III).64.1-02	Gasket	2	
30	05401Q011041 GB/T6170-2000	Washer 4	2	
31	05420Q061061 GB5287-85	Washer 6	2	
32	05421Q011061 GB/T93-87	Spring washer 6	2	
33	05401Q011061 GB/T6170-2000	Nut M6	2	
34	36312QMD2020	Cap, bulb	1	
35	36315QMD2020	Cap, bulb	1	
36	34192QMD2020 QM150L-4B(III).64.1-01	Bush	2	
37	34956QMD2000	Gasket	2	
38	05420Q061061 GB5287-85	Washer 6	2	
39	05404Q011061 GB/T6177.1-2000	Nut M6	2	
40	34958QMD2000	Bolt M6 x 30	2	
41	34910QMD2000 QM150L-4B.64.1.2-00	Cable assy	1	
42	05401Q012061 GB/T6170-2000	Nut M6	2	

FIG.24



**FWD**  
QM200-2A

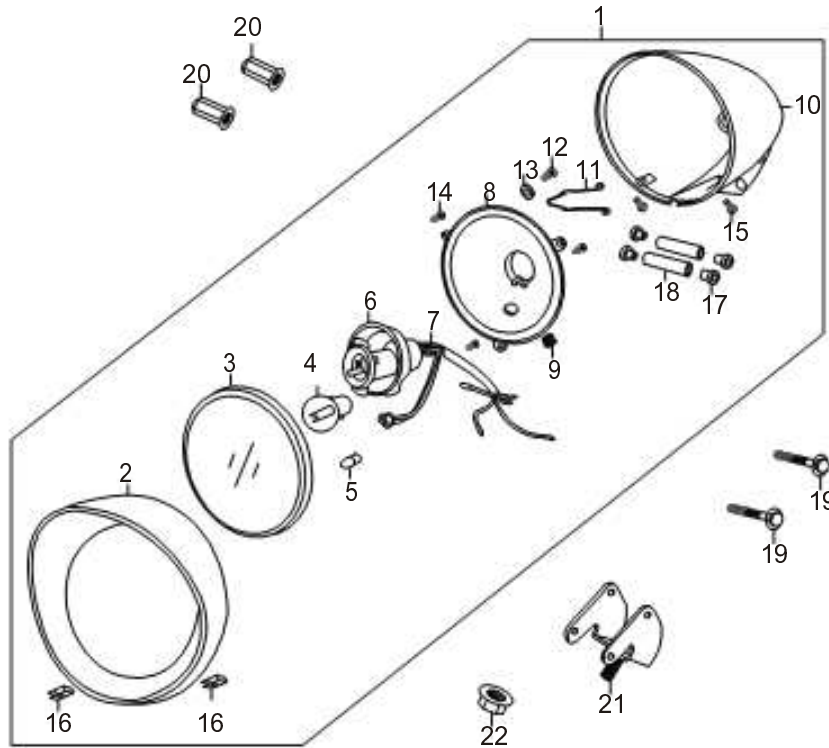
24

FIG.24

ΦAPA

Ref.No.	Part No.	Description	Q'ty	Remarks
1	35102QMD2010 QM150L-4B(II).62.1.1-00	Head lamp	1	
2	35113QMD2010	Fixing ring	1	
3	35124QMD2010	Lens, head lamp	1	
4	07110Q002121	Bulb 12V35/5W S2	1	
5	07110Q011121 GB15766.1-2000	Bulb12V5W W5W	1	
6	35161QMD2000 QM150L-4B.62.1.1-02	Rubber cap	1	
7	35170QMD2010	Socket headlamp	1	
8	35123QMD2010	Reflector	1	
9	36110QMD2010	Gasket	1	
10	51811QMD2010	Housing, head lamp	1	
11	35127QMD2010	Spring	1	
12	04010Q020951 GB/T845-85	Screw ST3.5x9.5	1	
13	05420Q1042051 GB/T848-2002	Washer 5	1	
14	04010Q021001 GB/T845	Screw ST2.9x10	3	
15	03411Q050161	Screw M5x16	2	
16	09148Q050001 QM125T-4.99-5	Nut M5	2	
17	09305Q090001 QM150L-4B.62.1-02	Gasket	4	
18	09180Q070002 QM150L-4B.62.1-01	Spacer	2	
19	02104Q060505	Bolt M6x50	2	
20	05406Q012065 GB/T802-1988	Nut M6	2	

FIG.24



24

FIG.24

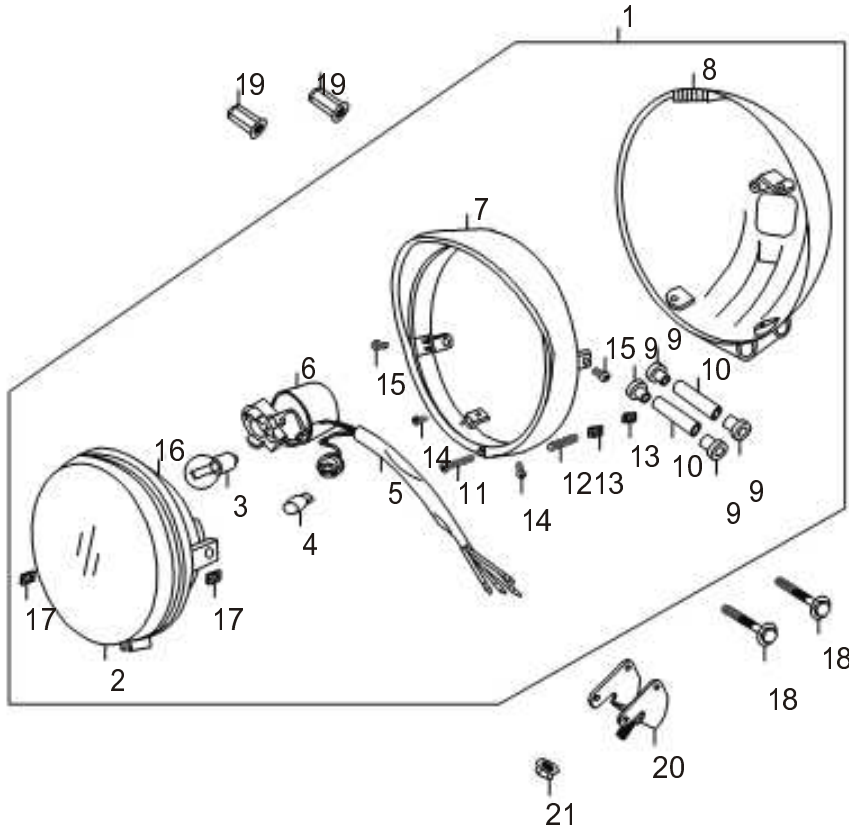
ΦAPA

Ref.No.	Part No.	Description	Q'ty	Remarks
21	51530QMD2000 QM150L-4B.62.1.2-00	Bracket, headlamp	1	
22	05409Q084105 GB6187.1-86	Nut M10x1.5	1	



QM200-2A

FIG.24A 24A



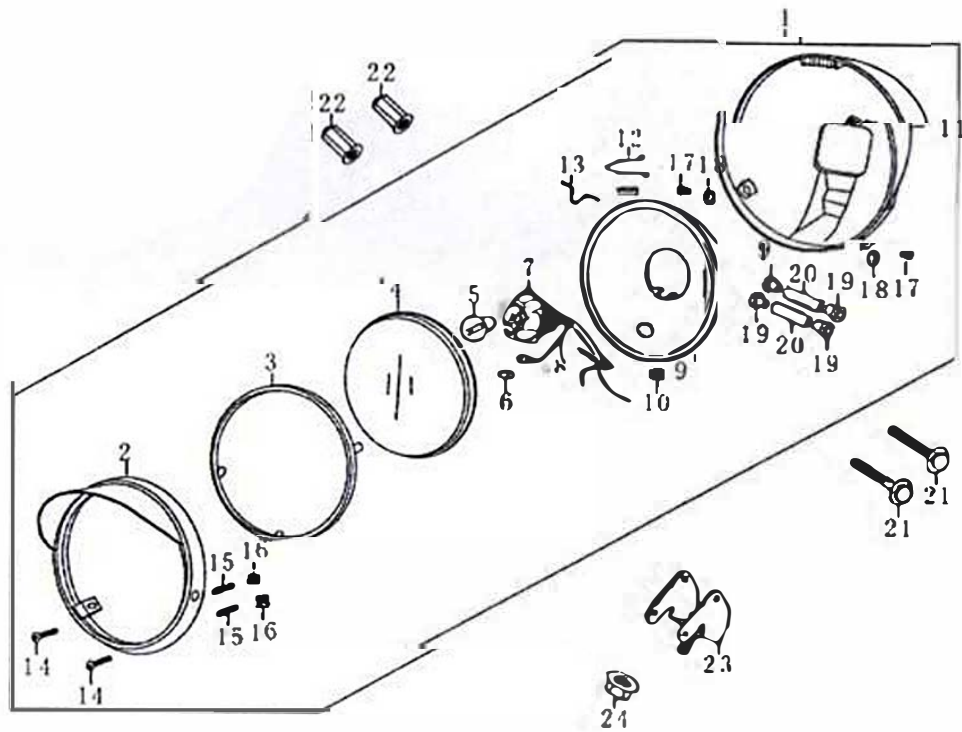
QM200-2A

FIG.24A

ΦAPA

Ref.No.	Part No.	Description	Q'ty	Remarks
1	35102QMD2040	Head lamp	1	
2	35124QMD2040	Lens, headlamp	1	
3	<del>07110Q002120</del> GB15766.1-2000	Bulb S2 12V35/5W	1	
4	07110Q011121	Bulb 12V5W	1	
5		Socket headlamp	1	
6		Rubber cap	1	
7		Fixing ring	1	
8		Body, lamp	1	
9		Gasket	4	
		Spacer	2	
10				
11	<del>03411Q010401</del> GB/T818-2000	Screw M4x40	1	
12		Spring	1	
13	<del>05405Q011041</del> GB/T39-88	Nut M4	2	
14	<del>04010Q032001</del> GB/T845-85	Screw ST3.5x20	2	
15	<del>03411Q050161</del> GB/T818-2000	Screw M5x16	2	
16	35123QMD2040	Reflex bowl	1	
17	<del>05405Q011051</del> GB/T39-88	Nut M5	2	
18	<del>02104Q060505</del> GB/T16674-96	Bolt M6x50	2	
19	<del>05406Q012061</del> GB/T802	Nut M6	2	
20	<del>51530QMD2000</del> QM150L-4B.62.2-00	Bracket, headlamp	1	
21	<del>05409Q084105</del> GB6187.1-2000	Nut M10	1	

FIG.24B



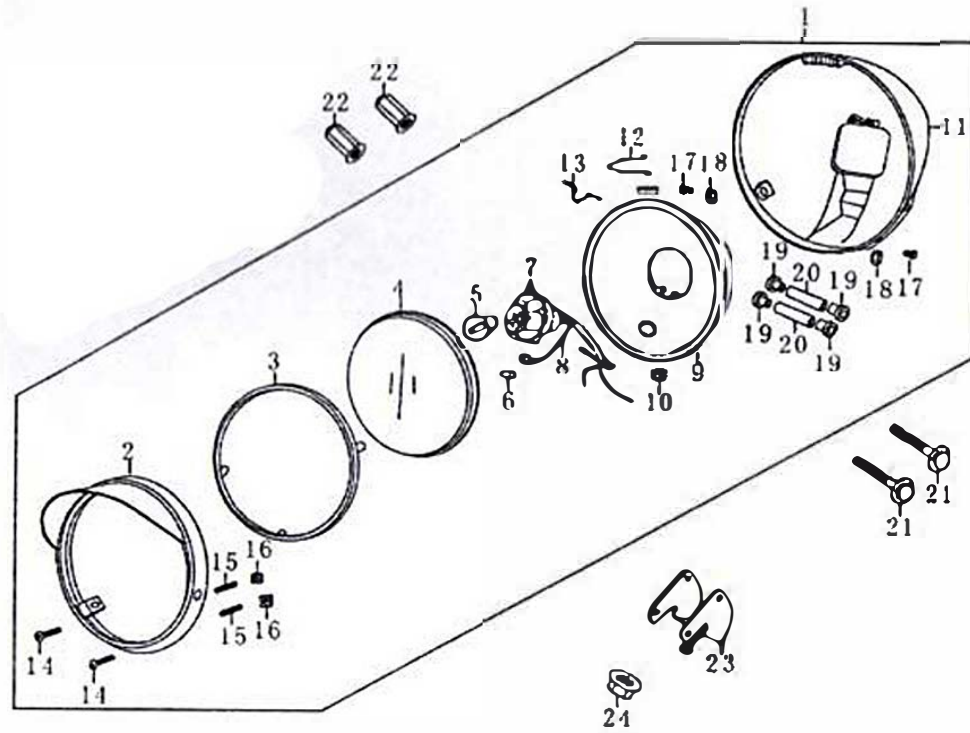
QM200-2A

24B  
FIG.24B

ΦAPA

Ref.No.	Part No.	Description	Qty	Remarks
1	35102QMD2000 QM150L-4B.62.1.1-00	Head lamp	1	
2	35110QMD2000 QM150L-4B.62.1.1.2-00	Fixing ring	1	
3	35131QMD2000 QM150L-4B.62.1.1-04	Ring	1	
4	35124QMD2000 QM150L-4B.62.1.1-05	Lens, headlamp	1	
5	07110Q002121 GB15766.1-2000	Bulb 12V35W	1	
6	07110Q011121	Bulb 12V5W	1	
7	35161QMD2000 QM150L-4B.62.1.1-02	Rubber cap	1	
8	35170QMD2000 QM150L-4B.62.1.1.2-00	Socket headlamp	1	
9	35120QMD2000 QM150L-4B.62.1.1.1-00	Reflex bowl	1	
10	35116QMD2000 QM150L-4B.62.1.1-06	Gasket	1	
11	51811QMD2000 QM150L-4B.62.1.1-01	Body, lamp	1	
12	35127QMD2000 QM150L-4B.62.1.1-03	Spring	1	
13	35128QMD2000	Spring	1	
14	03451Q040600 GB/T823	Screw M4×60	2	
15	35163QMD2000 QM150L-4B.62.1.1-08	Spring	2	
16	05405Q011041 GB/T39-88	Nut M4	2	
17	03411Q040161 GB/T818-2000	Screw M4×16	2	
18	05420Q042041 GB/T848-85	Washer 4	2	
19	09305Q090001 QM150L-4B.62.1-02	Gasket	4	
20	09180Q070002 QM150L-4B.62.1-01	Bush	2	

FIG.24B



24B

FIG.24B

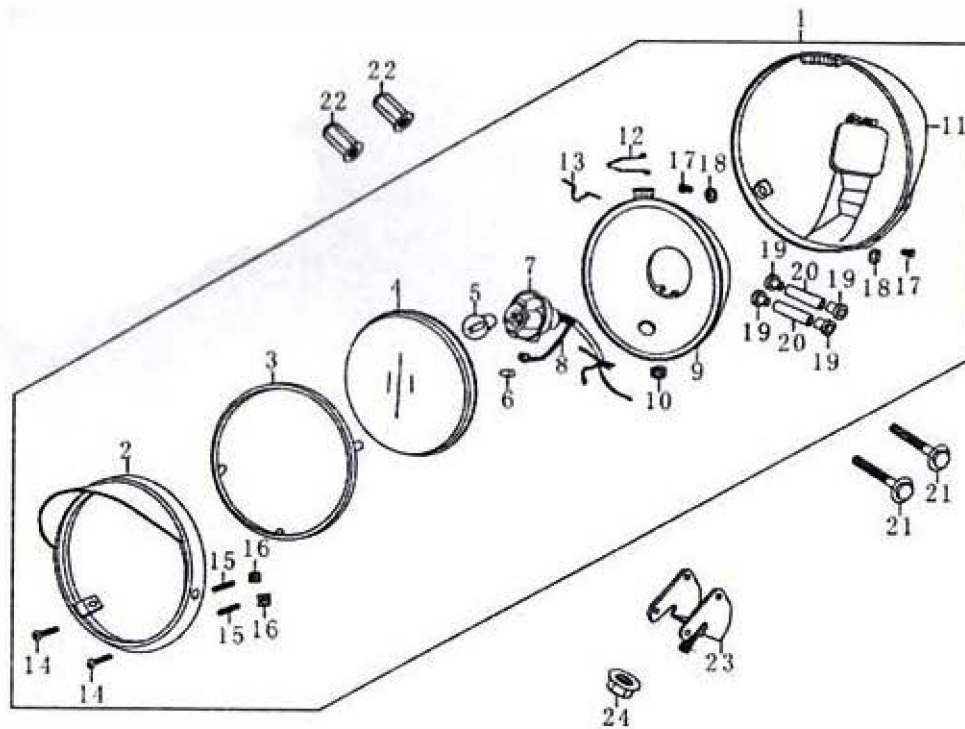
ΦAPA

Ref.No.	Part No.	Description	Q'ty	Remarks
21	02104Q060501 GB5787-86	Bolt M6×50	2	
22	05406Q012061 GB/T802	Nut M6	2	
23	51530QMD2000 QM150L-4B.62.2-00	Bracket, headlamp	1	
24	05409Q084105 GB6187.1-2000	Nut M10×1.5	1	

QM200-2A



FIG.24C



QM200-2A

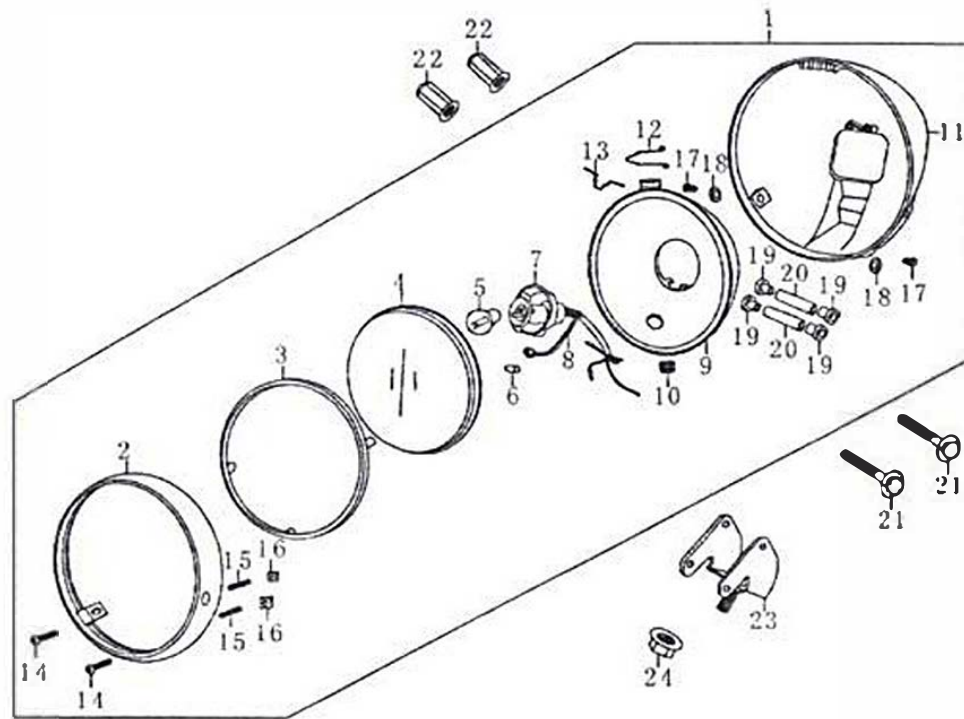
图 24C

FIG.24C

HEADLAMP

Ref.No.	Part No.	Description	Q'ty	Remarks
1	35102QMD2050	Head lamp	1	
2	35111QMD2050	Fixing ring	1	
3	35131QMD2000 QM150L-4B.62.1.1-04	Ring	1	
4	35124QMD2000 QM150L-4B.62.1.1-05	Lens, headlamp	1	
5	07110Q002121 GB15766.1-2000	Bulb 12V35W	1	
6	07110Q011121	Bulb 12V5W	1	
7	35161QMD2000 QM150L-4B.62.1.1-02	Rubber cap	1	
8	35170QMD2000 QM150L-4B.62.1.1.2-00	Socket headlamp	1	
9	35120QMD2000 QM150L-4B.62.1.1.1-00	Reflex bowl	1	
10	36116QMD2000 QM150L-4B.62.1.1-06	Gasket	1	
11	51811QMD2000 QM150L-4B.62.1.1-01	Body, lamp	1	
12	35127QMD2000 QM150L-4B.62.1.1-03	Spring	1	
13	35128QMD2000	Spring	1	
14	03451Q040600 GB/T823	Screw M4×60	2	
15	35163QMD2000 QM150L-4B.62.1.1-08	Spring	2	
16	05405Q011041 GB/T39-88	Nut M4	2	
17	03411Q040161 GB/T818-2000	Screw M4×16	2	
18	05420Q042041 GB/T848-85	Washer 4	2	
19	09305Q090001 QM150L-4B.62.1-02	Gasket	4	
20	09180Q070002 QM150L-4B.62.1-01	Bush	2	

FIG.24C

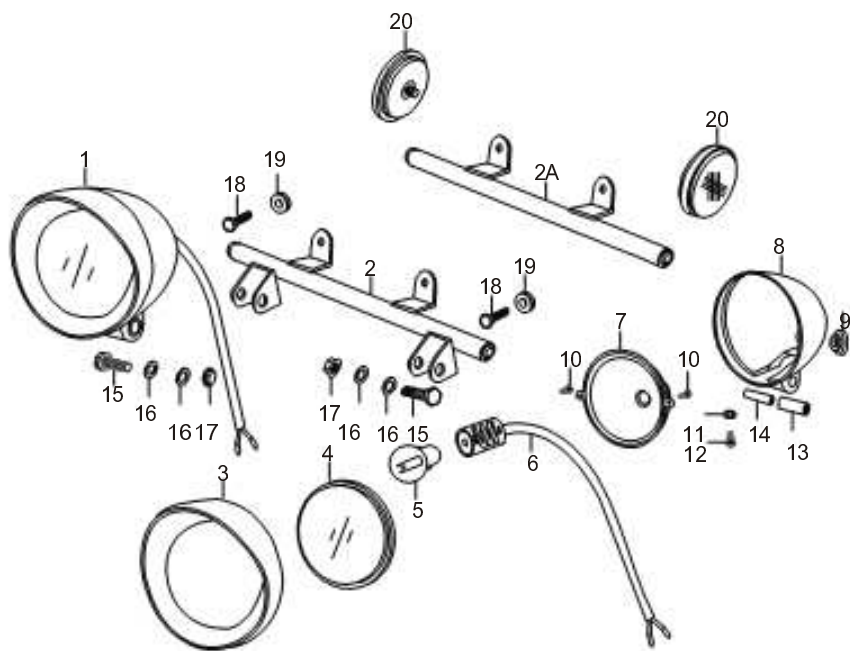


24C  
FIG.24C

Ref.No.	Part No.	Description	Q'ty	Remarks
21	021040060505 GB5787-86	Bolt M6×50	2	
22	054060012065 GB/T802	Nut M6	2	
23	51530QMD2000 QM150L-4B.62.2.00	Bracket, headlamp	1	
24	054090088105 GB6182.1-2000	Nut M10	1	

QM200-2A

FIG.25



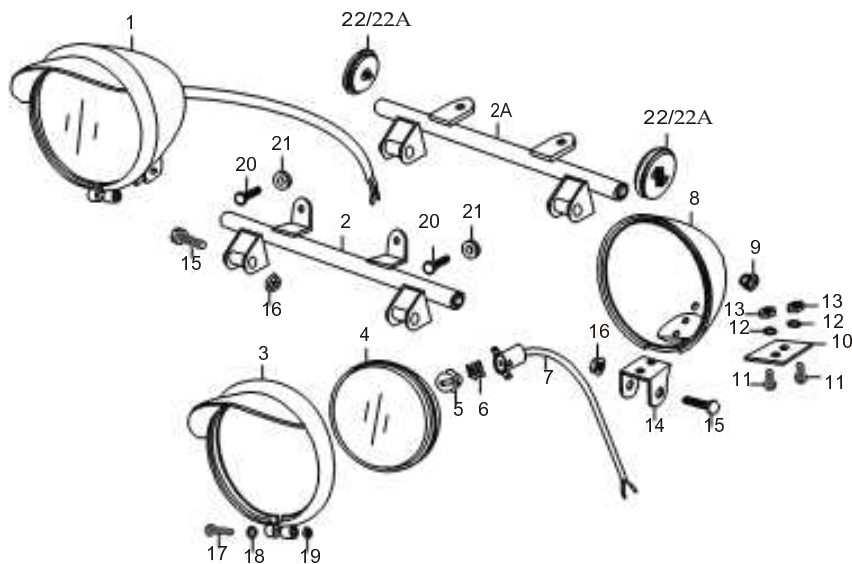
QM200-2A

25

FIG.25 ЛАМПЫ ГАБАРИТОВ

Ref.No.	Part No.	Description	Q'ty	Remarks
1	<u>35401QMD2010</u> QM150L-4B(II)62.3.1-00	Auxiliary lamp	2	
2	<u>51580QMD2010</u> QM150L-4B(II ).62.4.2-00	Bracket	1	
2A		Bracket	1	
3	<u>35416QMD2010</u>	Fixing ring	2	
4	<u>35411QMD2010</u>	Lens	2	
5	<u>07110Q009121</u> GB15766.1-2000	Bulb R10W	2	
6	<u>35440QMD2010</u>	Socket headlamp	2	
7	<u>35415QMD2010</u>	Reflex bowl	2	
8	<u>35412QMD2010</u>	Hood, auxiliary lamp	2	
9	<u>35421QMD2010</u>	Gasket	2	
10	<u>04010Q021001</u> GB845	Screw ST2.9x10	2	
11	<u>05420Q042041</u> GB848-85	Washer 4	1	
12	<u>09132Q030002</u>	Screw ST3.8x10	1	
13	<u>35495QMD2010</u>	Gasket	2	
14	<u>35496QMD2010</u>	Bush	2	
15	<u>02104Q080305</u> GB/T16674.1-2004	Bolt M8x30	2	
16		Washer 8	4	
17	<u>05407Q011085</u> GB/T923-88	Nut M8	2	
18	<u>02101Q060161</u> GB/T16674-96	Bolt M6x16	2	
19	<u>47287QKMZ000</u> QM100-12.46-16	Gasket	2	
20	<u>35901QMD2000</u> QM150L-4B.74-00	Reflector, side	2	

FIG.25A



25A

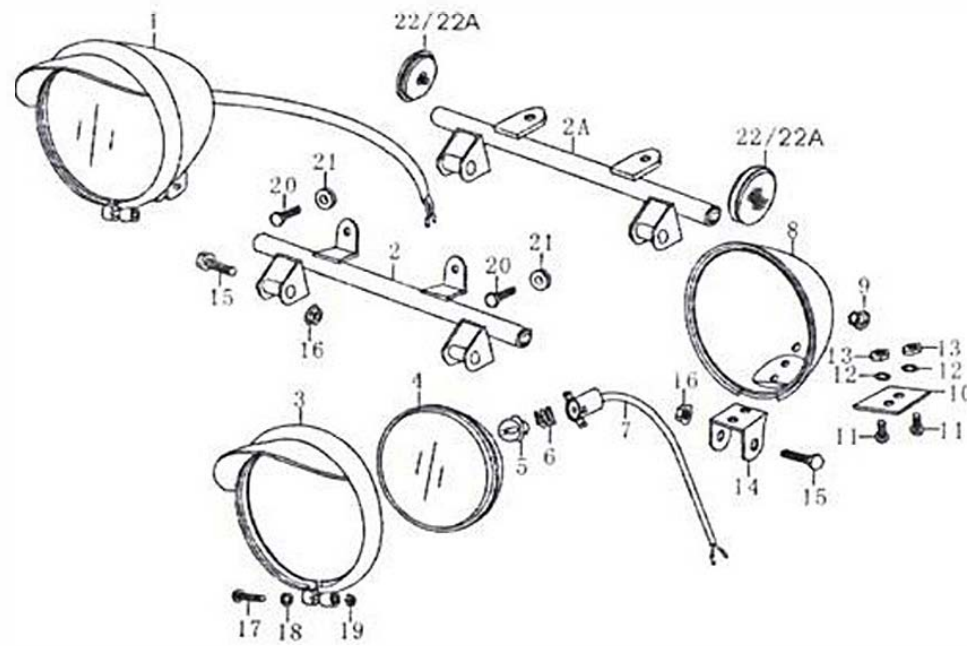
FIG.25A

ЛАМПЫ ГАБАРИТОВ

Ref.No.	Part No.	Description	Q'ty	Remarks
1	35401QMD2000 QM150L-4B.62.4.1-00	Auxiliary lamp	2	
2	51580QMD2000 QM150L-4B.62.4.2-00	Bracket	1	
2A	51580QMD2100	Bracket	1	
3	35416QMD2000 QM150L-4B.62.4.1-03	Fixing ring	2	
4	35411QMD2000 QM150L-4B.62.4.1-04	Lens	2	
5	07110Q009121	Bulb 12V10W	2	
6	35441QMD2000	Spring	2	
7	35440QMD2000	Socket headlamp	2	
8	35412QMD2000 QM150L-4B.62.4.1-02	Body, auxiliary lamp	2	
9	35421QMD2000 QM150L-4B.62.4.1-08	Gasket	2	
10	35492QMD2000	Board	2	
11	03411Q060121 GB/T818-2000	Screw M6x12	4	
12	05421Q011061 GB/T93-87	Spring washer 6	4	
13	05401Q011061 GB/T6170-2000	Nut M6	4	
14	35491QMD2000 QM150L-4B.62.4.1-07	Bracket	2	
15	02104Q080405 GB/T16674-96	Bolt M8x40	2	
16	05407Q011081 GB/T923-88	Nut M8	2	
17	03411Q040161 GB/T818-2000	Screw M4x16	2	
18	05420Q0022041 GB/T97.1-85	Washer 4	2	
19	05404Q011041 GB/6177.1-2000	Nut M4	2	

QM200-2A

FIG.25A

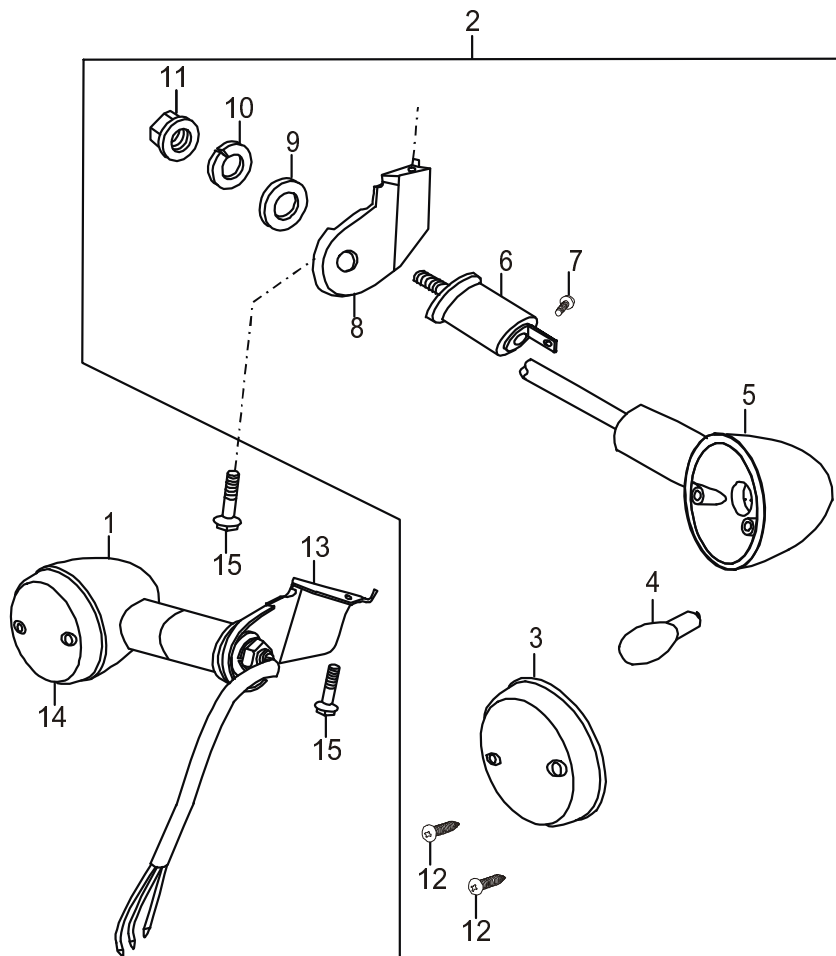


25A  
FIG.25A

Ref.No.	Part No.	Description	Qty	Remarks
20	02101Q060165 GB/T16674-96	Bolt M6×16	2	
21	47287QKMZ000 QM100-12.46-16	Gasket	2	
22	35050QM102000 QM150L-4B.74.1-00	Reflector, side	2	
22A		Reflector, side	2	EC

QM200-2A

FIG.26



QM200-2A

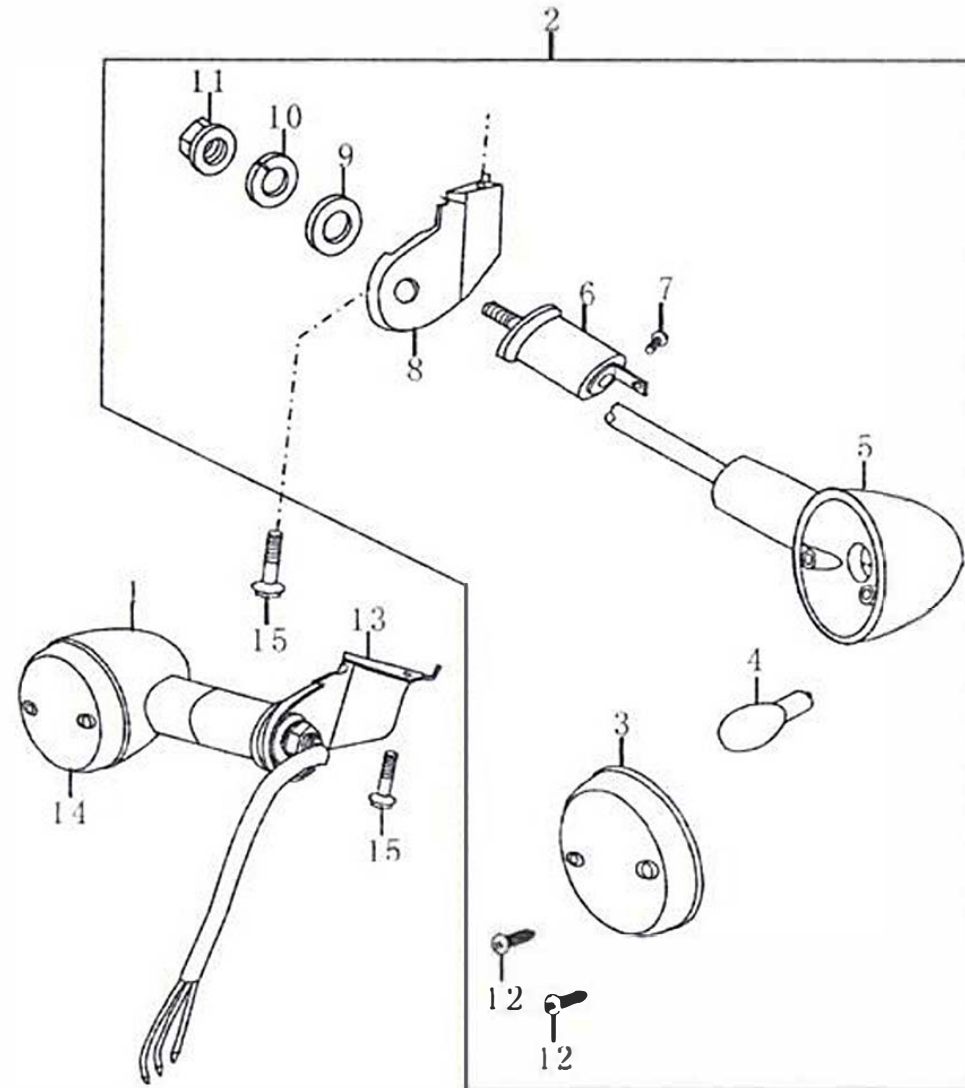
26

FIG.26

УКАЗАТЕЛИ ПОВОРОТОВ

Ref.No.	Part No.	Description	Q'ty	Remarks
1	35601QMD2040	Turning lamp assy, front indicator, RH	1	
2	35602QMD2040	Turning lamp assy, front indicator, LH	1	
3	35632QMD2040	Lens, LH	1	
4	07110Q007121	Bulb P21/5W	2	
5	35614QMD2040	Lamp body	2	
6	35620QMD2040	Handle, front turning indicator	2	
7	03411Q060121 GB818-85	Screw M6x12	2	
8	35643QMD2000 QM150L-4B.69-4	Bracket, front turning indicator, LH	1	
9	05420Q051121 GB96-85	Washer 12	2	
10	05421Q021121 GB859-87	Spring washer 12	2	
11	05409Q081121 GB6187-86	Nut M12	2	
12	04010Q031401 GB845-85	Screw ST3.8x14	4	
13	35623QMD2000 QM150L-4B.69-3	Bracket, front turning indicator, RH	1	
14	35612QMD2040	Lens, RH	1	
15	02104Q060161 GB16674-96	Bolt M6x16	2	

FIG.26A

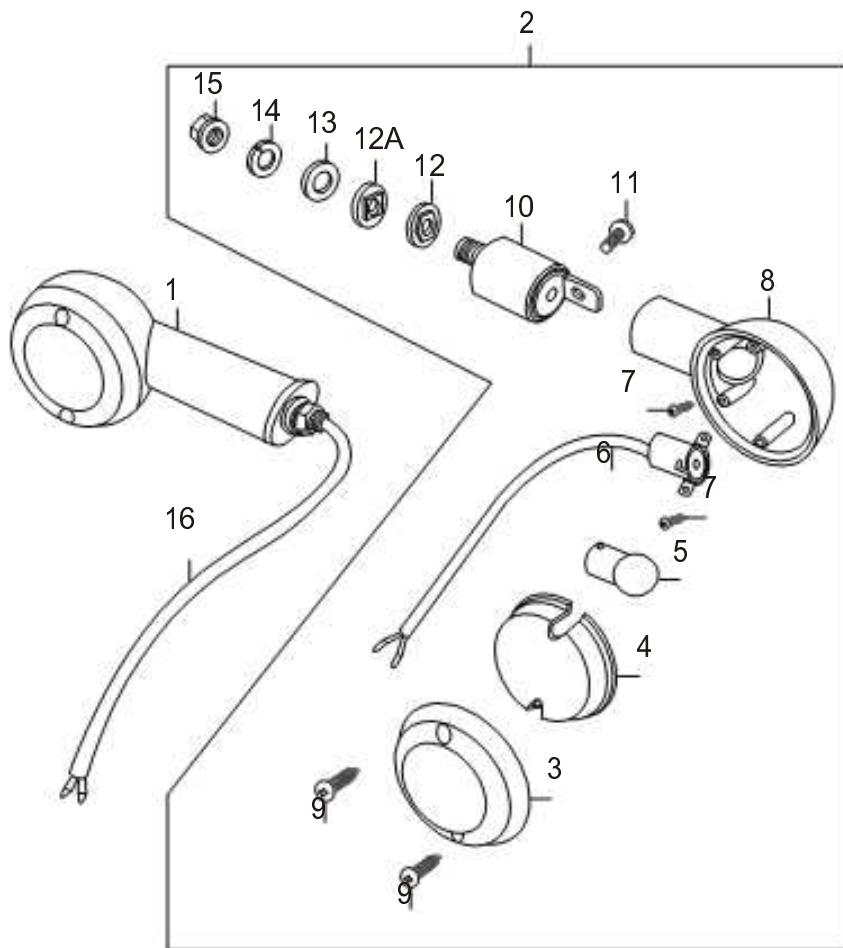


QM200-2A

26A  
FIG.26A

Ref.No.	Part No.	Description	Qty	Remarks
1	35601QMD2040	Turning lamp assy, front indicator, RH	1	EC
2	35602QMD2040	Turning lamp assy, front indicator, LH	1	EC
3	35632QMD2040	Lens, LH	1	
4	07110Q007121	Bulb P21/5W	2	
5	35614QMD2040	Lamp body	2	
6	35620QMD2040	Handle, front turning indicator	2	
7	03411Q004121 GB818-85	Screw M6 X 12	2	
8	35632QMD2040 QM150L-4B.69.4	Bracket, front turning indicator, LH	1	
9	05420Q051121 GB96-85	Washer 12	2	
10	05421Q021121 GB859-87	Spring washer 12	2	
11	05409Q081121 GB6187-86	Nut M12	2	
12	04010Q031401 GB845-85	Screw ST3,8 X 14	4	
13	35623QMD2040 QM150L-4B.69.3	Bracket, front turning indicator, RH	1	
14	35612QMD2040	Lens, RH	1	
15	02104Q00161 GB1674-96	Bolt M6 X 16	2	

FIG.27



 QM200-2A

27

FIG.27

УКАЗАТЕЛИ ПОВОРОТОВ

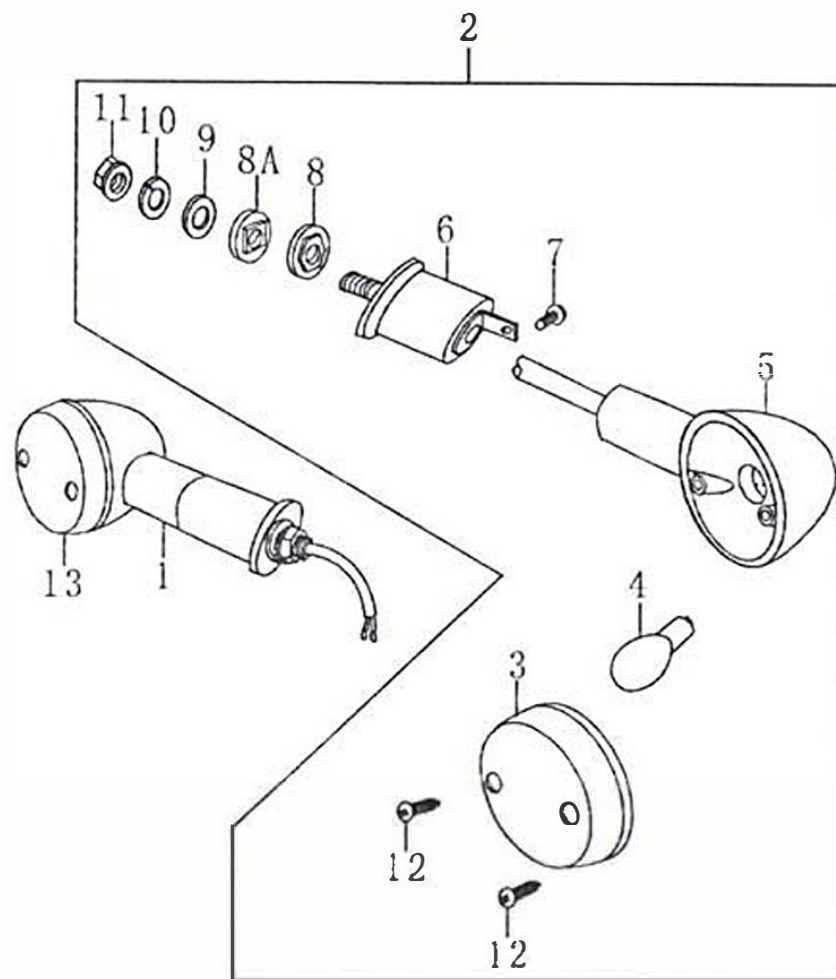
Description

Q'ty Remarks

Ref.No.	Part No.	Description	Q'ty	Remarks
1	35604QMD2000 QM150L-4B.62.2.2.1-00	Rear winker, LH	1	
2	35603QMD2000 QM150L-4B.62.2.2.2-00	Rear winker, RH	1	
3	35633QMD2000 QM150L-4B.62.2.1.1-02	Lens, winker	2	
4	35632QMD2000 QM150L-4B.62.2.1.1-03	Lens, winker	2	
5	07110Q009121 GB15766.1-2000	Bulb R10W	2	
6	35650QMD2000 QM150L-4B.62.2.1.1-00	Wiring harness RH	1	
7	04010Q032001	Screw ST3.5x20	4	
8	35634QMD2000 QM150L-4B.62.2.1.1-01	Case, rear winker	2	
9	09132Q030004 GB845-85	Screw ST3.8x38	4	
10	35640QMD2000 QM150L-4B.62.2.1.1.2-00	Cushion rear winker	2	
11	03411Q060101 GB/T818	Screw M6x10	2	
12	35654QMD2000 QM150L-4B.69-1	Gasket	2	
12A	35696QMD2010 QM150L-4B(II).62-1	Gasket	2	
13	05420Q051101	Washer 10	2	
14	05421Q021101 GB/T859-87	Spring washer 10	2	
15	05409Q081101 GB/T6187.1-2000	Nut M10	2	
16	35670QMD2000 QM150L-4B.62.2.2.2.1-00	Wiring harness LH	1	



FIG.27A

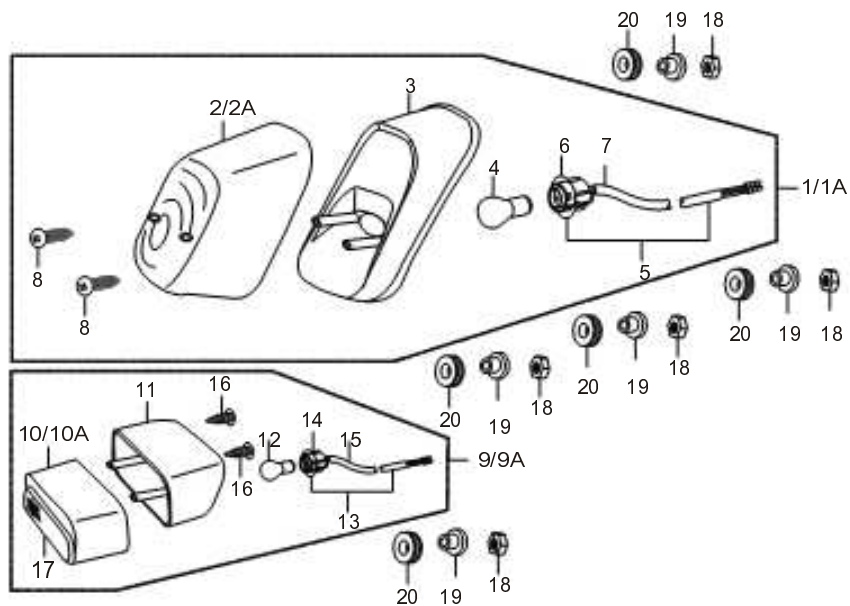


27A  
FIG.27A REAR TURNING INDICATOR

Ref.No.	Part No.	Description	Q'ty	Remarks
1	35604QMD2040	Turning lamp assy, indicator, LH	1	EC
2	35603QMD2040	Turning lamp assy, indicator, RH	1	EC
3	35612QMD2040	Lens, RH	1	
4	07110Q009121	Bulb P21/10W	2	
5	35614QMD2040	Lamp body	2	
6	35620QMD2040	Handle front turning indicator	2	
7	03411Q0060121 GB818.85	Screw M6 X 12	2	
8	35654QMD2000 QM150L-4B.62-1	Lamp assy, gasket	2	
8A	35654QMD2010 QM150L-4B(11).62-1	Lamp assy, gasket	2	
9	05420Q051101 GB96.85	Washer 10	2	
10	05421Q021101 GB859.87	Spring washer 10	2	
11	05409Q081101 GB6187-86	Nut M10	2	
12	09312Q030002	Screw ST3.8X 12	4	
13	35632QMD2040	Lens, LH	1	

QM200-2A

FIG.28



**FWD**  
QM200-2A

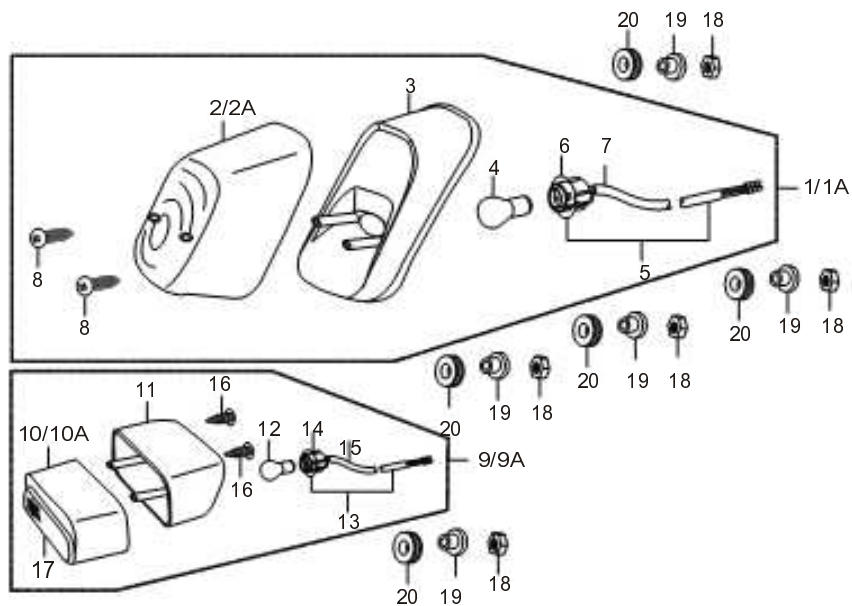
28

FIG.28

ЗАДНИЙ ФОНАРЬ

Ref.No.	Part No.	Description	Q'ty	Remarks
1	35701QMD2000 QM150L-4B.68.1-00	Tail lamp assy	1	
1A	35701QMD2040 QM150L-4B(EC).68.1-00	Tail lamp assy	1	
2	35712QMD2000 QM150L-4B.62.3-03	Lens, tail lamp	1	
2A	35712QMD2040 QM150L-4B(EC).62.3-03	Lens, tail lamp	1	
3	35715QMD2000 QM150L-4B.62.3.1-00	Cover, tail lamp	1	
4	07110QQ07121 GB15766.1-2000	Bulb, tail lamp, P21/5W	1	
5		Wire assy, tail lamp	1	
6	35730QMD2000 QM150L-4B.62.3.2-00	Socket assy, tail lamp	1	
7	35740QMD2000	Wire, tail lamp	1	
8	09132Q030003 GB845-85	Screw ST3.8x14	2	
9	35903QMD2000	Rear license lamp assy	1	
9A	35903QMD2040	Rear license lamp assy	1	
10	35915QMD2000	Lens, rear license lamp	1	
10A		Lens, rear license lamp	1	
11	35921QMD2000 QM150L-4B.62.5.1-00	Body, rear license lamp	1	
12	07110QQ011121 GB15766.1-2000	Bulb, license lampW5W	1	
13		Wire assy, license lamp	1	
14	35930QMD2000 QM150L-4B.62.5.2-00	Socket assy, tail lamp	1	
15	35940QMD2000	Wire, license lamp	1	
16	09132Q030002 GB845-85	Screw ST3.8x12	2	

FIG.28



28

FIG.28

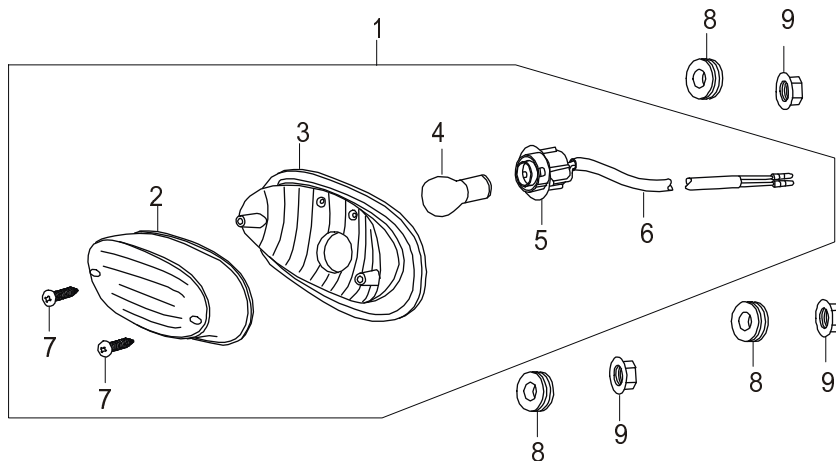
ЗАДНИЙ ФОНАРЬ

Ref.No.	Part No.	Description	Q'ty	Remarks
17	35981QMD2000	Reflector, rear	1	
18	05404Q011061 GB/T6177.1-2000	Nut M6	5	
19	63139QMD2000 QM150L-4B.38-5	Gasket	5	
20	63119QMD2000 QM150L-4B.38-04	Rubber washer	5	



QM200-2A

FIG.28A



28A

FIG.28A

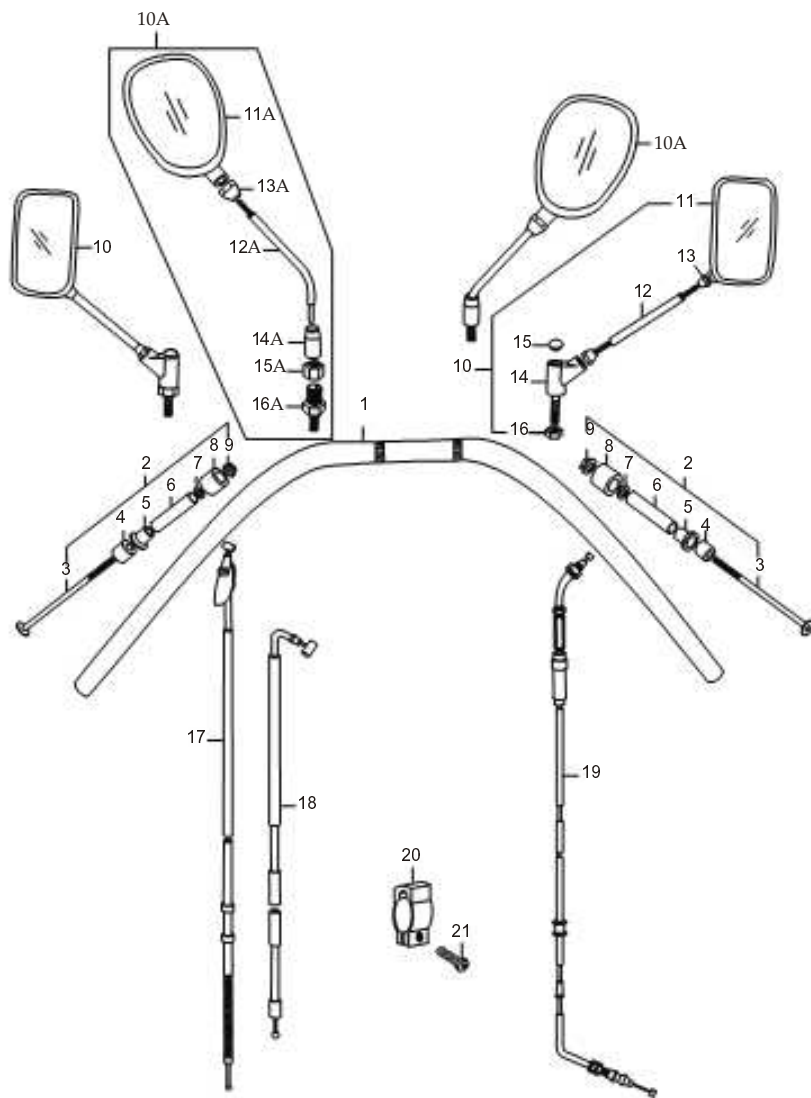
ЗАДНИЙ ФОНАРЬ

Ref.No.	Part No.	Description	Q'ty	Remarks
1	<u>35702QMM1000</u> QM200-2A	Tail lamp assy	1	
2	35712QMM1000	Lens, tail lamp	1	
3	35715QMM1000	Cover, tail lamp	1	
4	07110Q007121	Bulb, tail lamp P21/5W	1	
5	35730QMM1000	Socket assy, tail lamp	1	
6	35740QMM1000	Wire assy, tail lamp	1	
7		Screw	2	
8		Rubber washer	3	
9	<u>05404Q011061</u> GB6177-86	Nut M6	3	



QM200-2A

FIG.29



QM200-2A

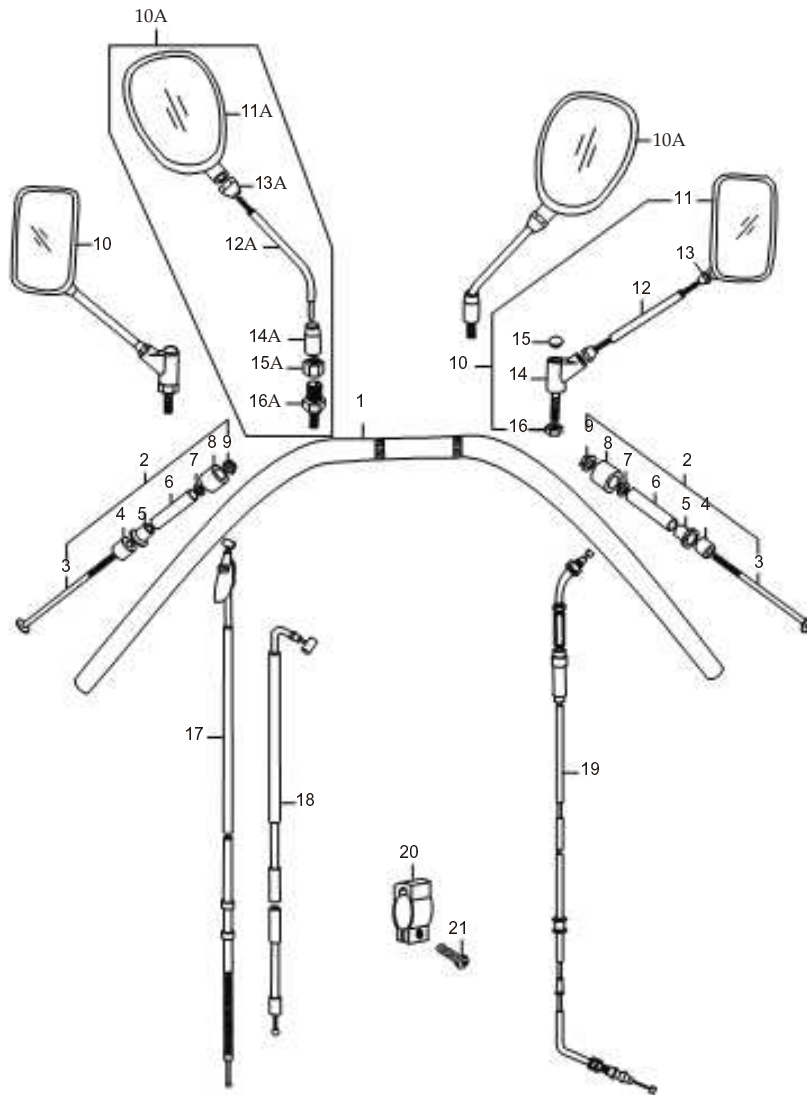
29

FIG.29

PYJIB

Ref.No.	Part No.	Description	Q'ty	Remarks
1	56111QMD2000 QM150L-4B.32-01	Handlebar	1	
2	56270QMM1000	Balancer block assy	2	
3	56279QMM1000	Bolt	2	
4	56271QMM1000	Balancer block	2	
5	56272QMM1000	Rubber gasket	2	
6	56276QMM1000	Bush	2	
7	05420Q011061	Washer 6	2	
8	56278QMM1000	Rubber gasket	2	
9	05404Q011061 GB6177.1-2000	Nut M6	2	
10	56501QMD2000 QM150L-4B.32.1-00	Rear view mirror	2	
10A	56501QMD2040	Rear view mirror	2	
11	56511QMD2000 QM150L-4B.32.1-07	Mirror, rear view	2	
11A		Mirror, rear view	2	
12	56531QMD2000 QM150L-4B.32.1-02	Support lever	2	
12A		Support lever	2	
13		Nut M10	4	
13A		Nut M10	2	
14	56710QMD2000 QM150L-4B.32.1.1-00	Seat, rear view	2	
14A		Rubber pole	2	
15		Dust proof plug	2	

FIG.29



QM200-2A

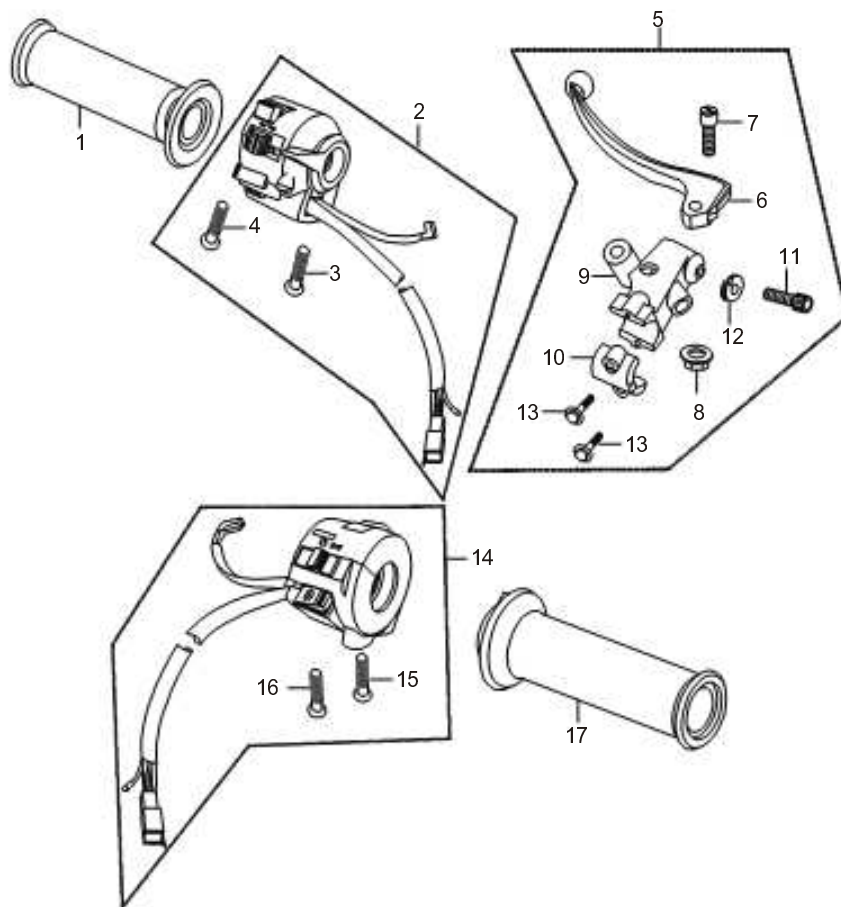
29

FIG.29

ПУЛБ

Ref.No.	Part No.	Description	Q'ty	Remarks
15A		Nut	2	
16	56533QMD2000 QM150L-4B.32.1-01	Nut M10	2	
16A		Seat, rear view	2	
17	58200QMD2000 QM150L-4B.32.5-00	Cable assy, clutch	1	
18	58400QMD2000 QM150L-4B.32.7-00	Cable, choke	1	
19	58300QMD2000 QM150L-4B.32.6-00	Cable assy, throttle	1	
20	58626QMD2000	Clamp, clutch cable	1	
21	58629QMD2000	Screw	1	

FIG.30



QM200-2A

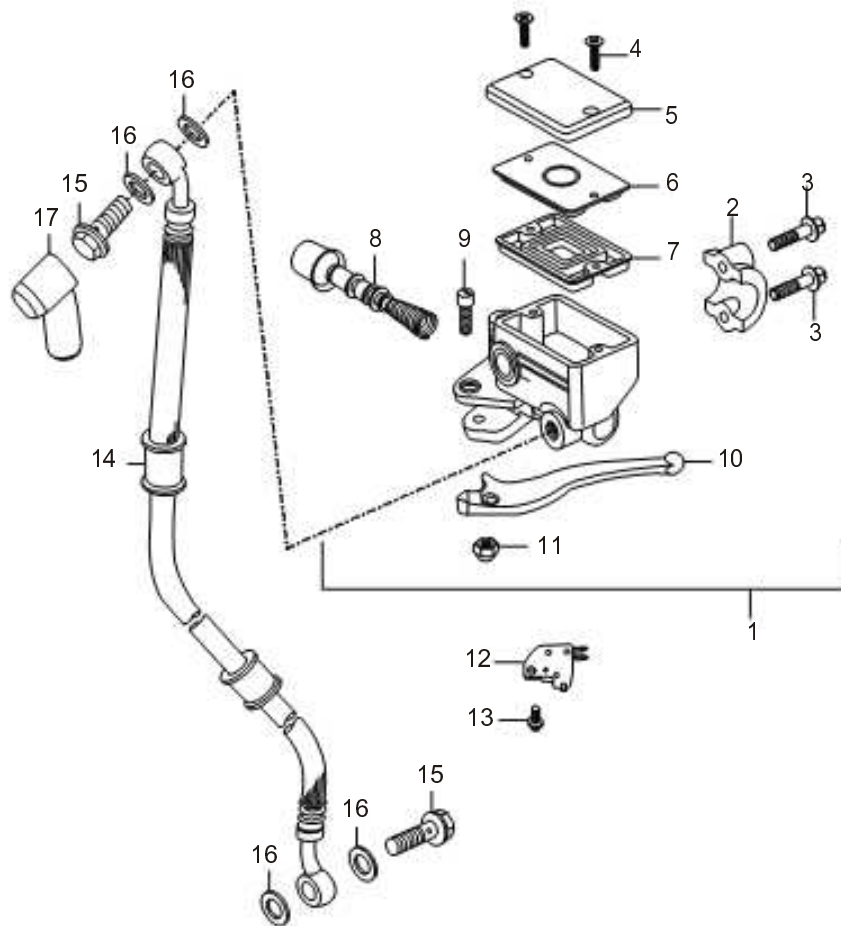
30

FIG.30

ПЕРЕКЛЮЧАТЕЛИ РУЛЕВЫЕ

Ref.No.	Part No.	Description	Q'ty	Remarks
1	<u>57211QMD2000</u> QM150L-4B.32.3-02	Grip, LH	1	
2	<u>37400QMD2000</u> QM150L-4B.66.1-00	Switch assy, handle LH	1	
3	<u>03451Q050451</u> GB/T823	Screw M5x45	1	
4	<u>03451Q050301</u> GB/T823	Screw M5x30	1	
5	<u>57500QMD2000</u> QM150L-4B.32.2-00	Clutch lever assy	1	
6	<u>57621QMD2000</u> QM150L-4B.32.2-01	Lever, clutch	1	
7	<u>57634QMD2000</u> QM150L-4B.32.2-07	Bolt	1	
8	<u>05404Q011061</u> GB/T6177.1-2000	Nut M6	1	
9	<u>57531QMD2000</u> QM150L-4B.32.2-06	Seat, clutch lever	1	
10	<u>57511QMD2000</u> QM150L-4B.32.2-05	Banal, clutch lever	1	
11	<u>57541QMD2000</u> QM150L-4B.32.2-04	Adjusting screw	1	
12	<u>57542QMD2000</u> QM150L-4B.32.2-03	Adjusting nut	1	
13	<u>02104Q060255</u> GB/T16674.1-2004	Bolt M6x25	2	
14	<u>37200QMD2000</u> QM150L-4B.66.2-00	Switch assy, handle RH	1	
15	<u>03451Q050451</u> GB/T823	Screw M5x45	1	
16	<u>03451Q050301</u> GB/T823	Screw M5x30	1	
17	<u>57110QMD2000</u> QM150L-4B.32.7-00	Grip, throttle	1	

FIG.31



QM200-2A

31

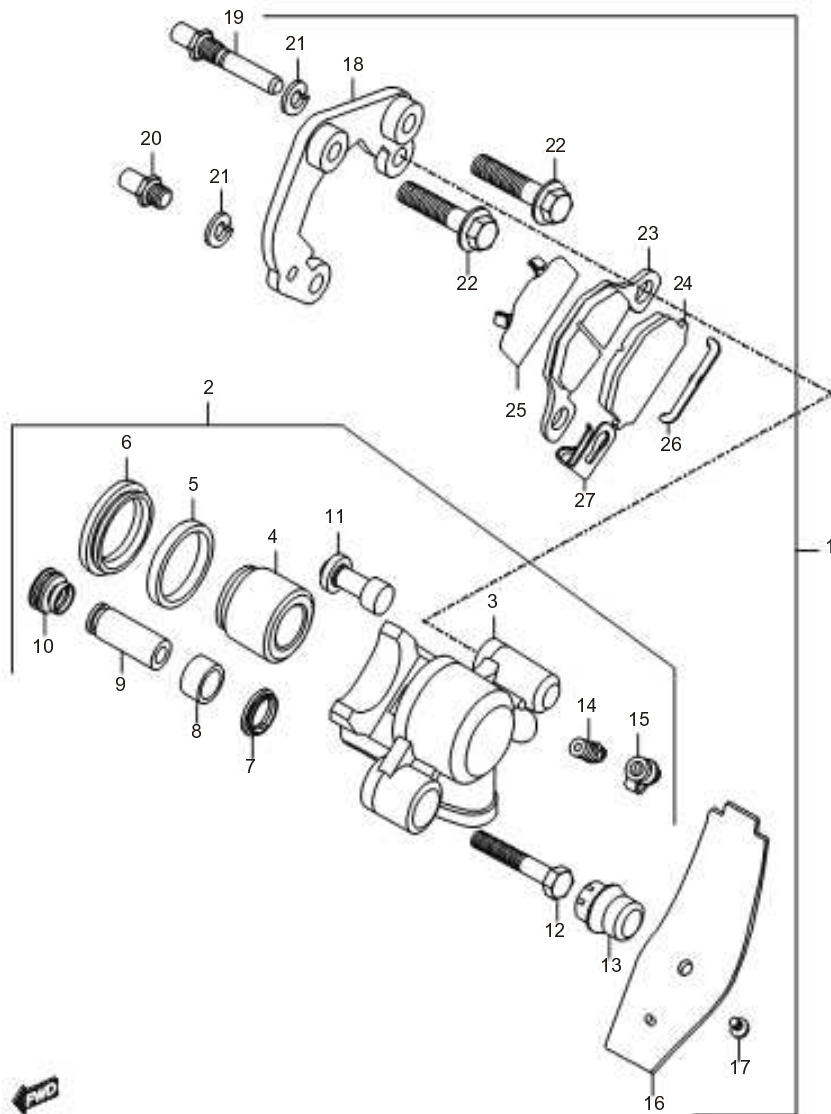
FIG.31

ПЕРЕДНИЙ ТОРМОЗ

Ref.No.	Part No.	Description	Q'ty	Remarks
1	59600QMD2010 QM150L-4B(II ).83.1-00	Master cylinder assy	1	
2	59671QMD2000 QM150L-4B.83.1-03	Holder	1	
3	02104Q060255 GB/T16674.1-2004	Bolt M6x25	2	
4	03421Q040126 GB/T819.1	Screw M4x12	2	
5	59669QMD2000 QM150L-4B.83.1.1-10	Cap, upper	1	
6	59668QMD2000 QM150L-4B.83.1.1-09	Washer	1	
7	59667QMD2000 QM150L-4B.83.1.1-08	Gasket	1	
8	59611QMD2000 QM150L-4B.83.1.1-03	Piston	1	
9	57431QMD2000 QM150L-4B.83.1-02	Screw, brake lever	1	
10	57421QMD2000 QM150L-4B(II ).83.1-01	Lever brake	1	
11	05409Q051061 GB/T6185.1-2000	Nut M6	1	
12	57460QMD2000 QM150L-4B.66.3-00	Brake switch, FR	1	
13	03411Q350121 GB/T9074.4	Screw M5x12	1	
14	59480QMD2000 QM150L-4B.83.2-00	Hose, front brake	1	
15	09360Q100001 GS125.83-04	Bolt	2	
16	09161Q100001 GS125.83-5	Washer	4	
17	59711QMD2000 QM150L-4B.83-05	Cap, rubber	1	



FIG.32



QM200-2A

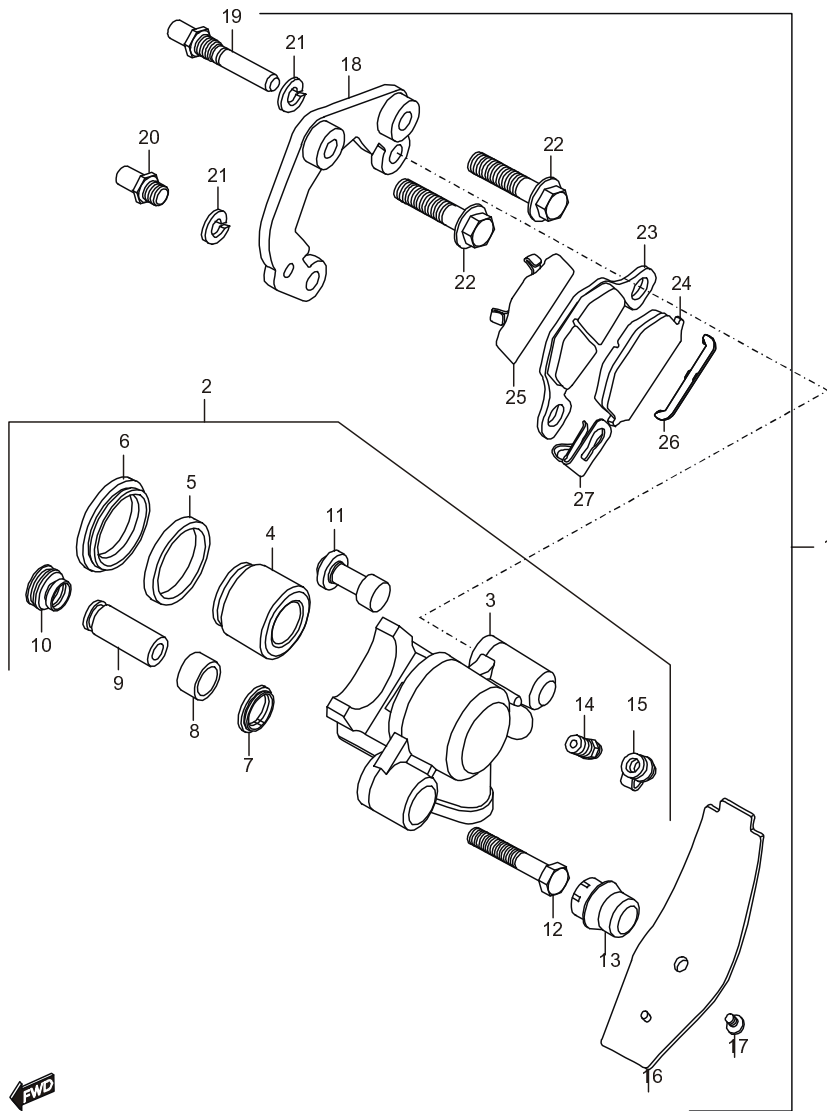
32

FIG.32

СУППОРТ

Ref.No.	Part No.	Description	Q'ty	Remarks
1	59300QMD2010 QM150L-4B(II).83.3-00	Caliper assy, front	1	
2		Front caliper	1	
3	59361QMD2000 QM150L-4B.83.3-04	Body, caliper	1	
4	59373QMD2000 QM150L-4B.83.3-03	Piston	1	
5	59391QMD2000 QM150L-4B.83.3-01	Seal, piston	1	
6	59393QMD2000 QM150L-4B.83.3-02	Cover	1	
7	59386QMD2000 QM150L-4B.83.3-17	Oil seal	1	
8	59385QMD2000 QM150L-4B.83.3-16	Collar, bush	1	
9	59381QMD2000 QM150L-4B.83.3-18	Bush, cylinder	1	
10	59383QMD2000 QM150L-4B.83.3-10	Boot, bush dust	1	
11	59312QMD2000 QM150L-4B.83.3-06	Bolt	1	
12	59382QMD2000 QM150L-4B.83.3-20	Bolt	1	
13	59384QMD2000 QM150L-4B.83.3-21	Dust cover	1	
14	59321QMD2000 QM150L-4B.83.3-12	Drain, plug	1	
15	59322QMD2000 QM150L-4B.83.3-13	Cap, drain	1	
16	59313QMD2000 QM150L-4B.83.3-03	Protector, caliper	1	
17	03451Q040101 GB823-85	Screw M4x10	1	
18	59350QMD2010 QM150L-4B(II).83.3.1-00	Carrier comp, caliper	1	
19	59325QMD2000 QM150L-4B.83.3-08	Guide pin I	1	
20	59326QMD2000 QM150L-4B.83.3-09	Guide pin II	1	

FIG.32



QM200-2A

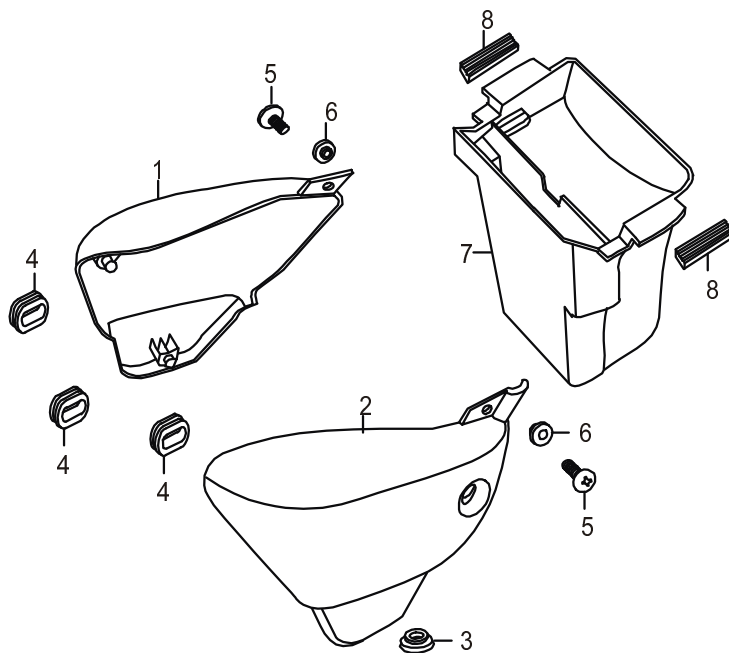
32

FIG.32

СУППОРТ

Ref.No.	Part No.	Description	Q'ty	Remarks
21	59314QMD2000 QM150L-4B.83.3-07	Washer	2	
22	02324Q100404 GB5789-86	Bolt M10x45	2	
23	59340QMD2000 QM150L-4B.83.3.2-00	Pad set, Outer	1	
24	59330QMD2000 QM150L-4B.83.3.3-00	Pad set, Inner	1	
25	59371QMD2000 QM150L-4B.83.3-15	Shim, pad	1	
26	59315QMD2000 QM150L-4B.83.3-14	Spring NO1	1	
27	59317QMD2000 QM150L-4B.83.3-05	Spring NO2	1	

FIG.33



QM200-2A

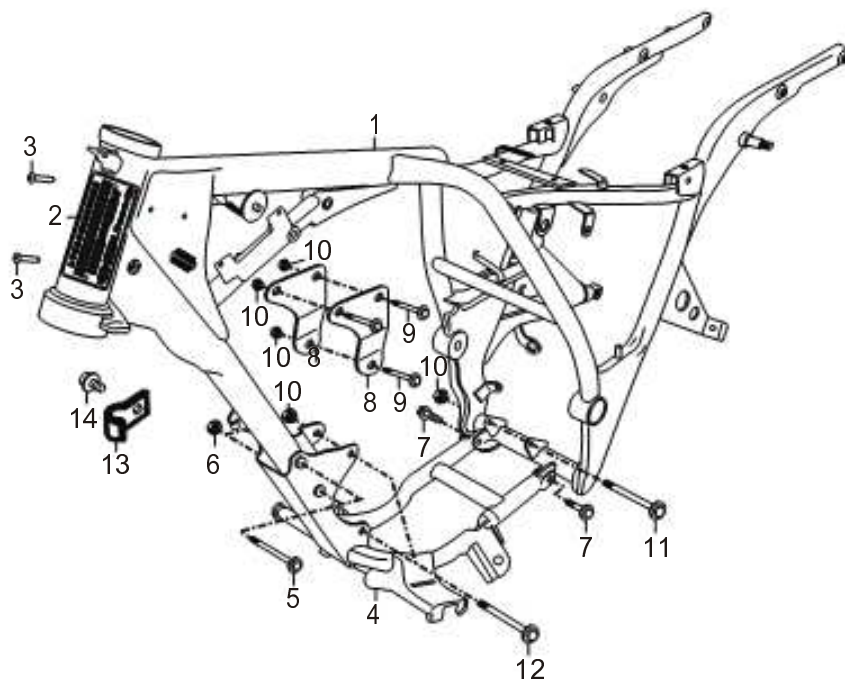
33

FIG.33

КРЫШКИ РАМЫ

Ref.No.	Part No.	Description	Q'ty	Remarks
1	47111QMD2000	Right cover	1	
2	47211QMD2000	Left cover	1	
3	47169QMD2000 QM150L-4B.46-2	Cushion ring	1	
4		Cushion ring	3	
5	09124Q060004	Screw M6x16	2	
6	47175QMD2000 QM150L-4B.46-3	Gasket	2	
7	47431QMD2000 QM150L-4B.80-1	Tool box	1	
8	47433QMD2000 QM150L-4B.80-2	Cushion	2	

FIG.34



QM200-2A

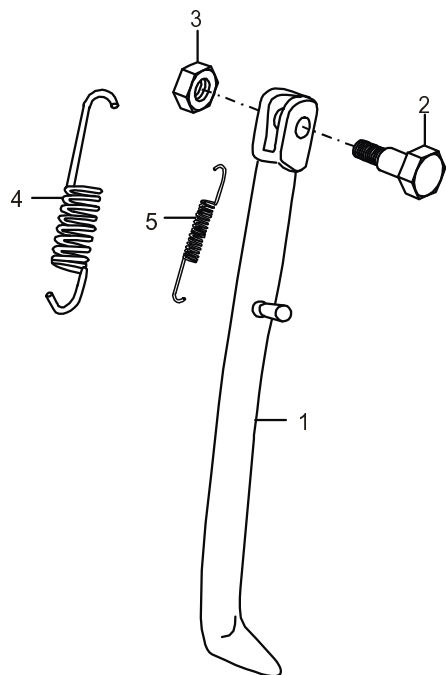
34

FIG.34

PAMA

Ref.No.	Part No.	Description	Q'ty	Remarks
1	<u>41100QMM1000</u>	Body comp, frame	1	
2	QM200-2A.30.1-00	Frame brand	1	
	QM200-2A.30-4			
3	GB867-86	Rivet 2x5	2	
4	QM200-2A.30.2-00	Lower bracket	1	
5	<u>020104Q080655</u> GB/T16674-96	Bolt M8x65	2	
6	<u>05409Q081085</u> GB/T6187.1-2000	Nut M8	2	
7	<u>020104Q080255</u> GB/T16674-96	Bolt M8x25	2	
8	QM200-2A.30-2	Plate, engine mounting, upper	2	
9	GB5787-86	Bolt M8x50	3	
10	GB6187-86	Nut M8	6	
11	GB5787-86	Bolt M8x90	1	
12	GB5787-86	Bolt M8x85	2	
13	QM125-10B	Clamp	3	
14	GB5787-86	Bolt M6x10	3	

FIG.35



QM200-2A

35

FIG.35

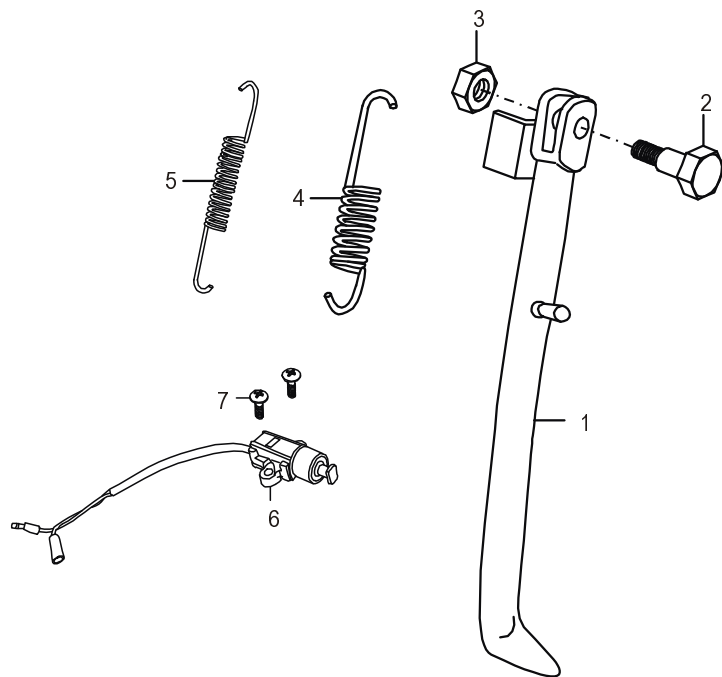
ПОДНОЖКИ

Ref.No.	Part No.	Description	Q'ty	Remarks
1	<u>42300QMM1000</u> QM200-2A.81-00	Side, stand comp	1	
2	QM200-2A.81-2	Bolt M10x36-12x16x1.25	1	
3	GB6172-86	Nut M10x1.25	1	
4	QM200-2A.81-1	Spring, side stand	1	
5		Returning spring inner	1	

FIG.35A

35A  
FIG.35A

ПОДНОЖКИ

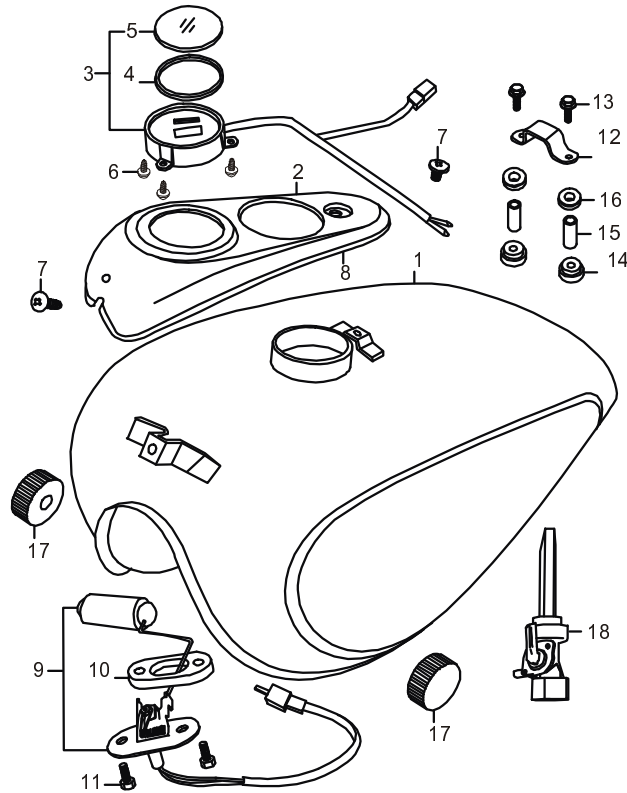


Ref.No.	Part No.	Description	Q'ty	Remarks
1		Side, stand comp	1	
2		Bolt M10x36-12x16x1.25	1	
3		Nut M10x1.25	1	
4		Spring	1	
5		Returning spring inner	1	
6	37803QEDZ000 QM125T-4.91-00	Switch, engine stop	1	
7	034510050121 GB823-88	Screw M5x12	2	



QM200-2A

FIG.36



QM200-2A

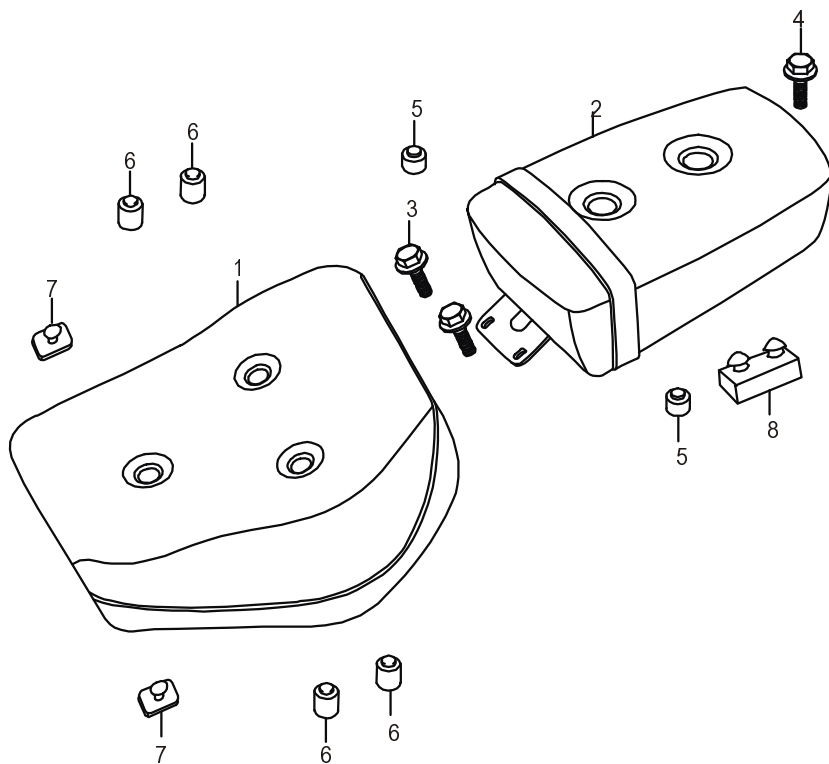
36

FIG.36

БЕНЗОБАК

Ref.No.	Part No.	Description	Q'ty	Remarks
1	44110QMD2020 QM150L-4B(III).44.1-00	Fuel tank	1	
2	34965QMD2020 QM150L-4B(III).44.-1	Cover	1	
3	34301QMD2020	Fuel meter assy	1	
4	34314QMD2020	Ring	1	
5	34311QMD2020	Lens	1	
6	04010Q030123 GB/T845-85	Screw ST3.5x12	3	
7	03411Q060125 GB/T818-2000	Screw M6x12	2	
8	34966QMD2020	Cushion	1	
9	34800QMD2000 QM150L-4B.77-00	Fuel level gauge	1	
10	34825QMD2000 QM150L-4B.77-01	Grommet	1	
11	02104Q060201 GB/T16674-96	Bolt M6x20	2	
12	44571QMD2020 QM150L-4B ( III ) .44-02	Plate	1	
13	02104Q060351 GB/T16674.1-2004	Bolt M6x35	2	
14	44540QMD2000 QM150L-4B.44.4-00	Cushion, lower	2	
15	44517QMD2000 QM150L-4B.44-5	Spacer	2	
16	44512QMD2000 QM150L-4B.44-03	Cushion, upper	2	
17	44516QMD2020 QM150L-4B(III).44-6	Cushion, front	2	
18	44300QMD2000 QM150L-4B.44.2-00	Fuel switch	1	

FIG.37



QM200-2A

37

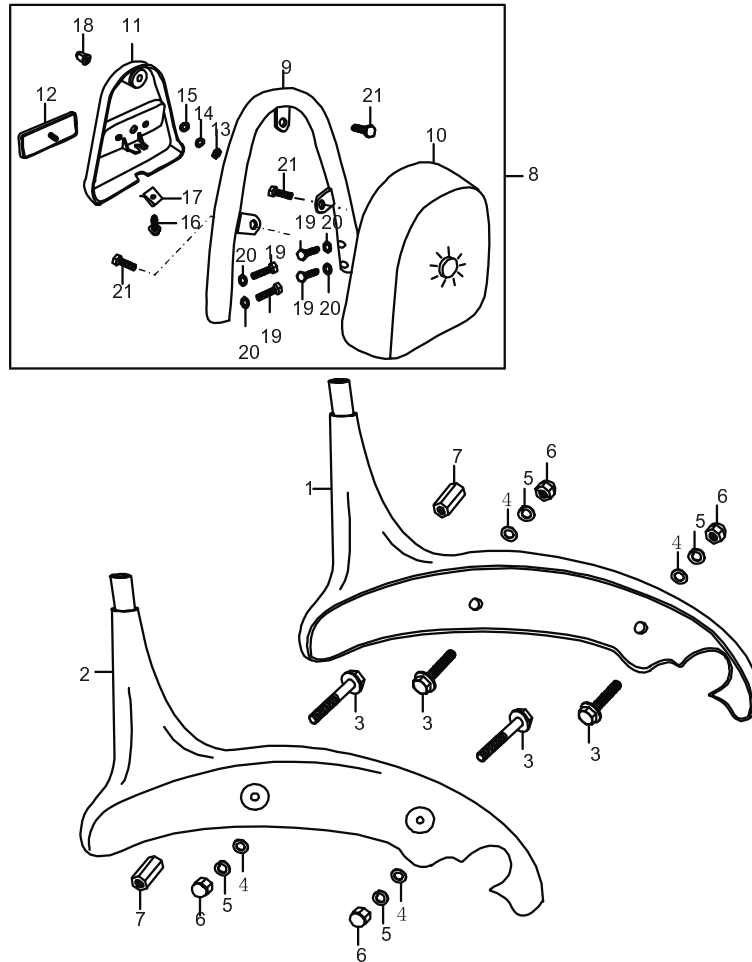
FIG.37

СИДУШКА

Ref.No.	Part No.	Description	Q'ty	Remarks
1	<u>45102QMD2000</u> QM150L-4B.36.1-00	Seat, pommel	1	
2	<u>45302QMD2000</u> QM150L-4B.36.2-00	Seat, pillion	1	
3	<u>02104Q060161</u> GB16674.1-2000	Bolt M6x16	2	
4	<u>02104Q080206</u> GB5787-86	Bolt M8x20	1	
5		Cushion 1, seat	2	
6		Cushion 2, seat	4	
7		Cushion 3, seat	2	
8	<u>45147QMD2000</u> QM150L-4B.36-01	Cushion, seat	1	



FIG.38



QM200-2A

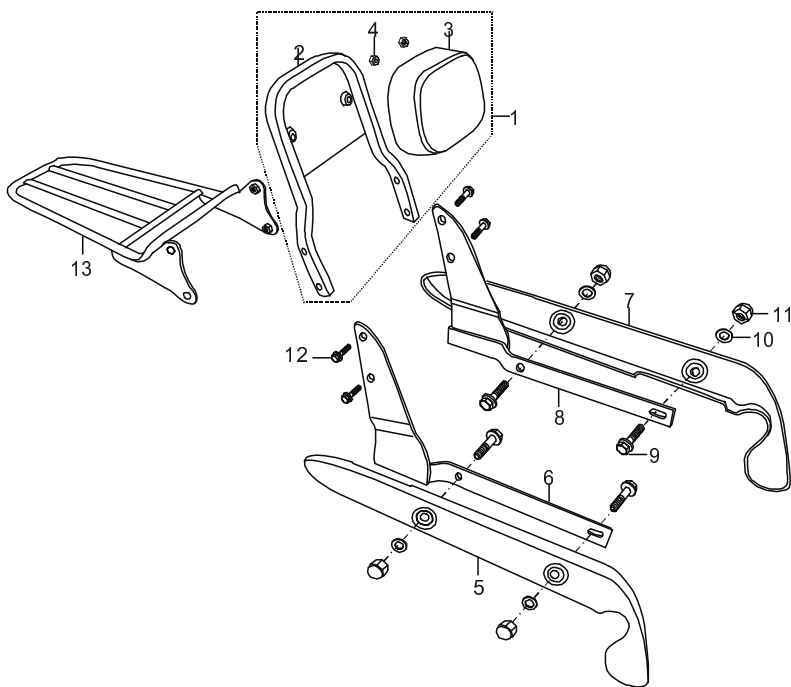
38

FIG.38

СПИНКА СИДУШКИ

Ref.No.	Part No.	Description	Q'ty	Remarks
1	63521QMD2000 QM150L-4B.40-2	Cover LH, rear fender	1	
2	63511QMD2000 QM150L-4B.40-3	Cover RH, rear fender	1	
3	02104Q080601 GB/T16674-2000	Bolt M8x60	4	
4	05421Q011061 GB/T93-1987	Spring washer 6	4	
5	05420Q011061	Washer 6	4	
6	GB95-85 05407Q011081	Nut M8	4	
7	GB/T923-88 63194QMD2000	Nut M8	2	
8	QM150L-4B.38-05 45500QMD2000	Backrest assy	1	
9	QM150L-4B.99.2-00 45540QMD2000	Bracket, backrest	1	
10	QM150L-4B.99.2.1-00 45502QMD2000	Backrest	1	
11	QM150L-4B.2.2-00 45511QMD2000	Plate, backrest	1	
12	QM150L-4B.2-01 35970QMD2000	Rear reflector	1	
13	05401Q011051 GB/T6170-2000	Nut M5	1	
14	05420Q011051 GB95-85	Washer 5	1	
15	05421Q011051 GB/T93-1987	Spring washer 5	1	
16	04010Q050161 GB/T845-85	Screw ST4.8x16	1	
17		Nut clip ST4.8	1	
18	05404Q012061 GB/T6177.1-2000	Nut M6	1	
19	02104Q060161 GB/T16674-2000	Bolt M6x16	4	
20	05421Q011061 GB/T93-1987	Spring washer 6	4	
21	02104Q060121 GB/T16674-2000	Bolt M6x12	3	

FIG.38A  
(option )



38A

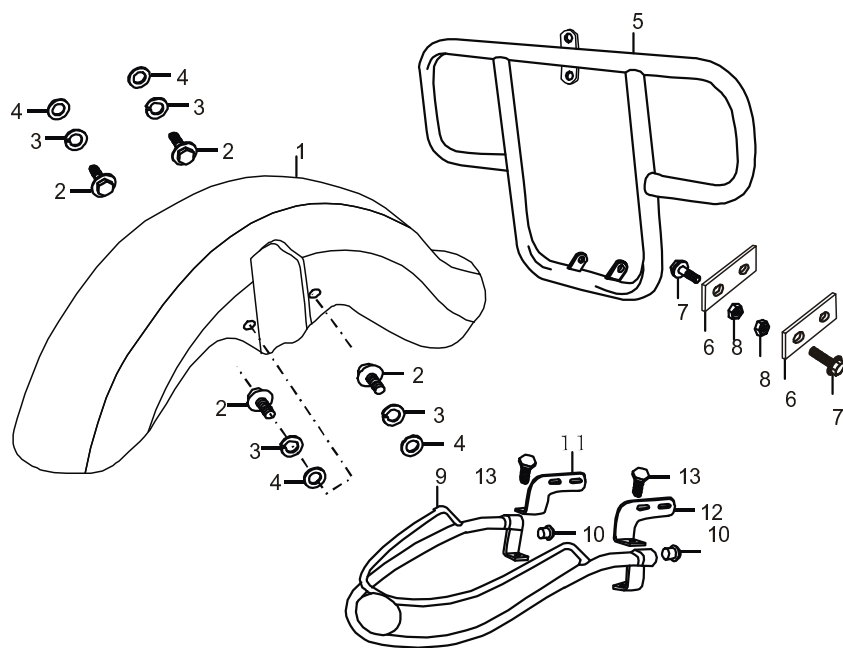
FIG.38A

СПИНКА СИДУШКИ

Ref.No.	Part No.	Description	Q'ty	Remarks
1	45500QMM1000	Backrest assy	1	
2	45540QMM1000	Bracket, backrest	1	
3	45502QMM1000	Backrest	1	
4	05401Q011051 GB/T6170-2000	Nut M5	2	
5	63511QMM1000 QM200-2A.40-3	Cover RH, rear fender	1	
6		Bracket RH, rear fender	1	
7	63521QMM1000 QM200-2A.40-2	Cover LH, rear fender	1	
8		Bracket LH, rear fender	1	
9	02104Q080601 GB/T16674-2000	Bolt M8x60	4	
10	05420Q011081 GB95-85	Washer 8	4	
11	05407Q011081 GB/T923-88	Nut M8	4	
12	02104Q080605 GB/T16674-2000	Bolt M8	4	
13		Carrier	1	

QM200-2A

FIG.39



QM200-2A

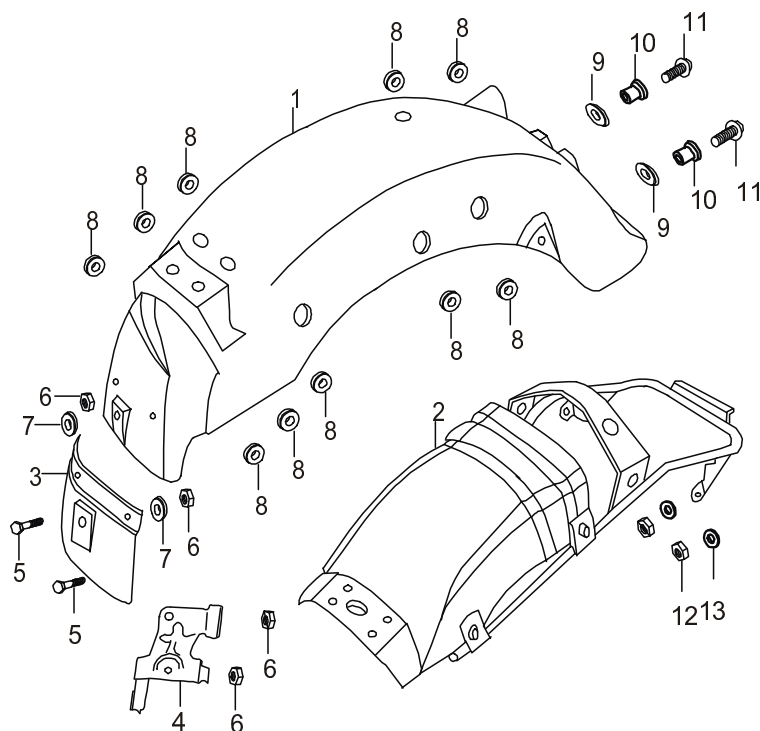
39

FIG.39

КРЫЛО ПЕРЕДНЕЕ

Ref.No.	Part No.	Description	Q'ty	Remarks
1	<u>53111QMD2010</u> QM150L-4B(II ).37-01	Front fender	1	
2	<u>01401Q06012J</u> GB/T5781-2000	Bolt M6x12	4	
3	<u>05421Q02006J</u> GB859-87	Spring washer 6	4	
4	<u>05420Q02206J</u> GB/T97.1-2002	Washer 6	4	
5	<u>93700QMM1000</u> QM200-2A.82-00	Leg guard	1	
6		Plate	2	
7		Bolt M8x20	2	
8		Nut M8	2	
9	<u>53190QMD2010</u> QM150L-4B(II ).37.1-00	Guard, front fender	1	
10		Rubber cap	2	
11	93741QMD2000	Support, RH	2	
12	93742QMD2000	Support, LH	1	
13	<u>01401Q05030J</u> GB/T5781-2000	Bolt M5x30	2	

FIG.40



QM200-2A

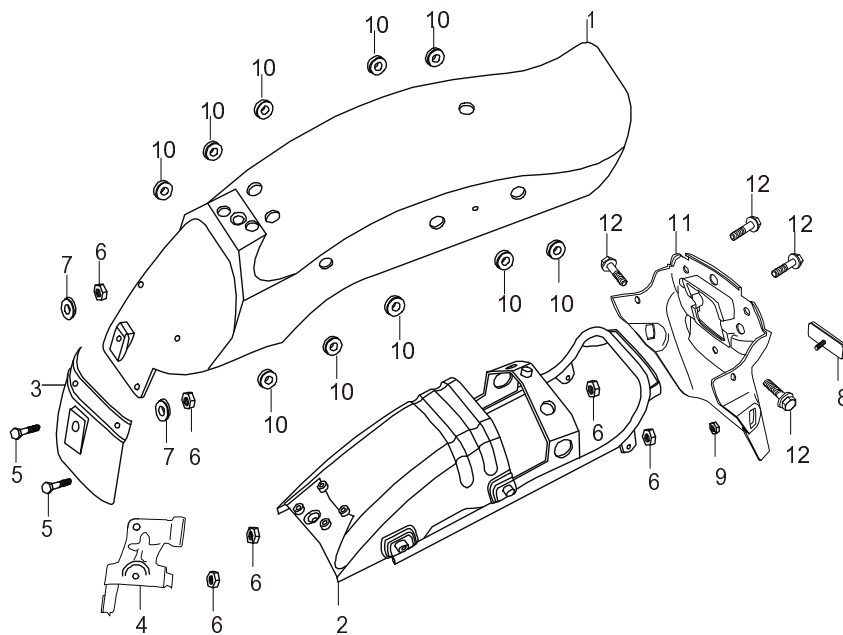
40

FIG.40

КРЫЛИО ЗАДНЕЕ

Ref.No.	Part No.	Description	Q'ty	Remarks
1	63111QMD2000 QM150L-4B.38-01	Rear fender	1	
2	63120QMD2000 QM150L-4B.38.1-00	Bracket rear fender	1	
3	63331QMD2000 QM150L-4B.38-02	Rear splash guard	1	
4	63140QMD2000 QM150L-4B.38.2-00	Bracket, electric comp	1	
5	02324Q060165 GB/T5789	Bolt M6x16	3	
6	05404Q011061 GB/T6177.1-2000	Nut M6	4	
7	05420Q021061 GB/T97.1-85	Washer 6	2	
8	63118QMD2000 QM150L-4B.38-03	Gasket	10	
9	63119QMD2000 QM150L-4B.38-04	Gasket	2	
10	63139QMD2000 QM150L-4B.38-5	Bush	2	
11	03421Q060161 GB/T819.1	Screw M6x16	2	
12	05401Q011061 GB6170-85	Nut M6	2	
13	05420Q051061 GB96-85	Washer 6	2	

FIG.40A  
(option)



QM200-2A

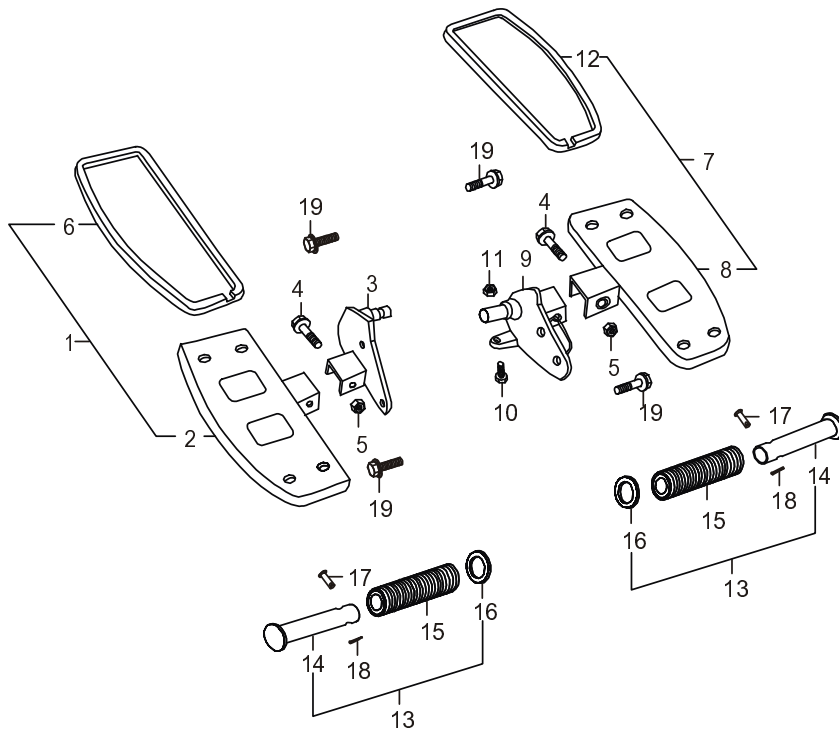
40A

FIG.40A

КРЫЛО ЗАДНЕЕ

Ref.No.	Part No.	Description	Q'ty	Remarks
1		Rear fender	1	
2		Bracket rear fender	1	
3	<u>63331QMD2000</u> QM150L-4B.38-02	Rear splash guard	1	
4	<u>63140QMD2000</u> QM150L-4B.38.2-00	Bracket, electric comp	1	
5	<u>02104Q06016J</u> GB16674.1-2000	Bolt M6x16	2	
6	<u>05404Q01106J</u> GB/T6177.1-2000	Nut M6	6	
7	<u>05420Q02106J</u> GB/T97.1-85	Washer 6	2	
8		Reflector, rear	1	
9		Nut	1	
10	<u>63118QMD2000</u> QM150L-4B.38-03	Gasket	10	
11		Fender	1	
12	<u>02324Q080605</u> GB/T5789	Bolt M8x60	4	

FIG.41



QM200-2A

41

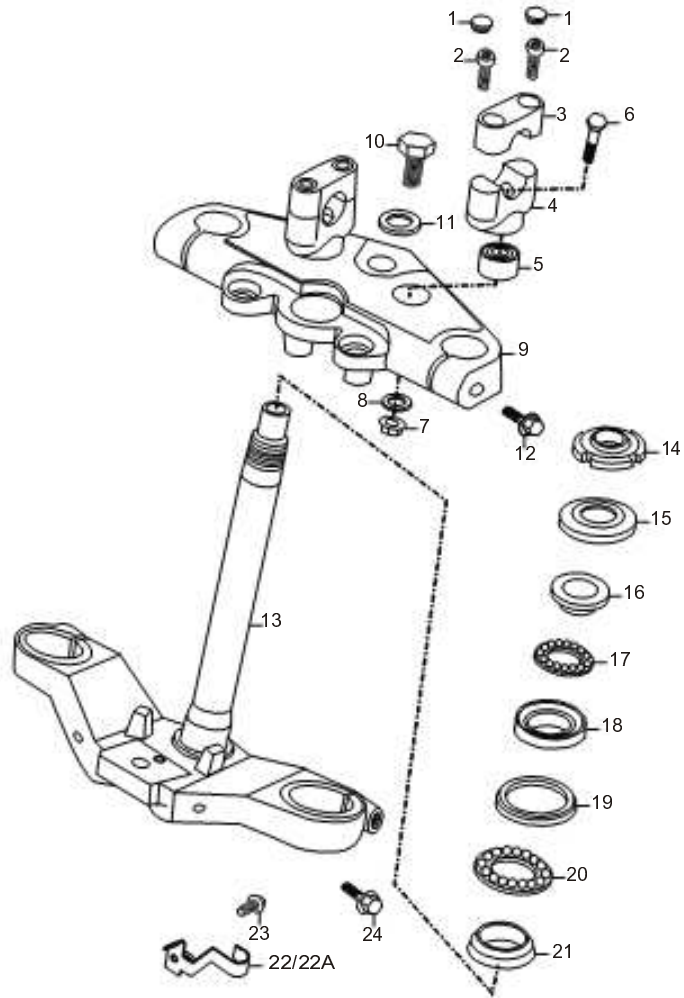
FIG.41

ПОДНОЖКИ

Ref.No.	Part No.	Description	Q'ty	Remarks
1	<u>43520QMD2000</u> QM150L-4B.49.1-00	Front footrest assy, LH	1	
2	<u>43521QMD2000</u> QM150L-4B.49.1-02	Bracket, footrest plate LH	1	
3	<u>43522QMD2000</u> QM150L-4B.49.1-03	Bracket connect board LH	1	
4	<u>02104Q10050J</u> GB/T16674-2000	Bolt M10x50	2	
5	<u>05404Q01210J</u> GB/T6177.1-2000	Nut M10	2	
6	<u>43561QMD2000</u> QM150L-4B.49.01	Rubber, front footrest LH	1	
7	<u>43510QMD2000</u> QM150L-4B.49.2-00	Front footrest assy, RH	1	
8	<u>43511QMD2000</u> QM150L-4B.49.2-02	Bracket, footrest plate RH	1	
9	<u>43512QMD2000</u> QM150L-4B.49.2-03	Bracket connect board RH	1	
10	<u>02104Q06030J</u> GB/T16674-2000	Bolt M6x30	1	
11	<u>05409Q08106J</u> GB/T6187.1-2000	Nut M6	1	
12	<u>43551QMD2000</u> QM150L-4B.49-02	Rubber, front footrest RH	1	
13		Footrest, pillion	2	
14	<u>43610QLAZ000</u> QM125-2.47.2-00	Bar, pillion	2	
15	<u>43612QLAZ000</u> QM125-2.47-01	Rubber pillion footrest	2	
16	<u>09160Q19000J</u> GS125.47-2	Washer	2	
17	<u>04721Q06032J</u> GB882-86	Pin 6x32	2	
18	<u>04411Q20020J</u> GB/T91-2000	Cotter pin 2x20	2	
19	<u>02104Q08016J</u> GB/T16674.1-2004	Bolt M8x16	4	



FIG.42



QM200-2A

42

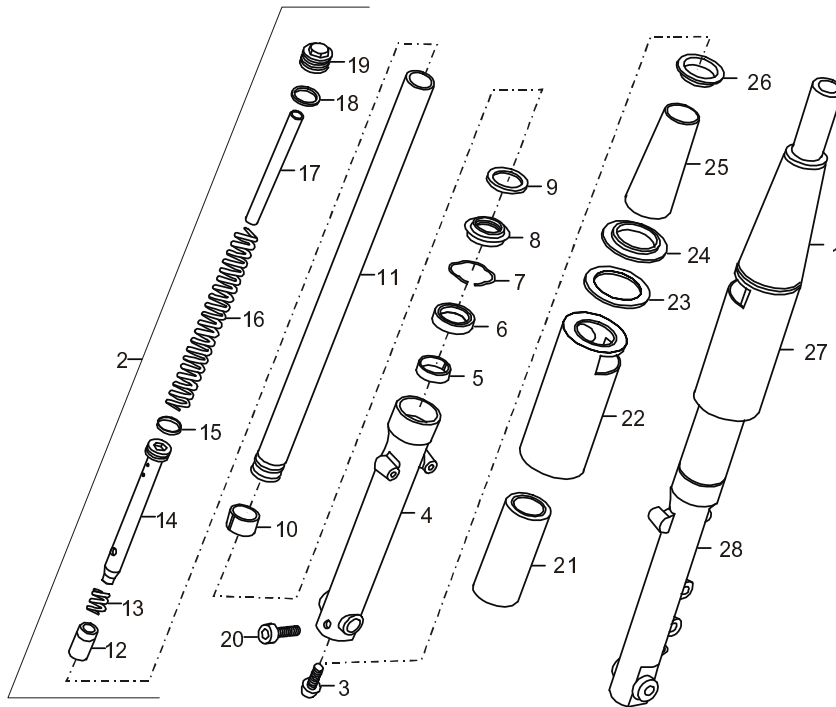
FIG.42

TPABEPCA

Ref.No.	Part No.	Description	Q'ty	Remarks
21	51622QMD2000 QM150L-4B.31-08	Race, inner lower	1	
22		Clamp	1	
22A	51199QMD2010 QM150L-4B(II)31-15	Clamp	1	
23	02104Q060121 GB16674.1-2000	Bolt M6x12	1	
24	02104Q100406 GB/T16674	Bolt M10x40	2	



FIG.43



QM200-2A

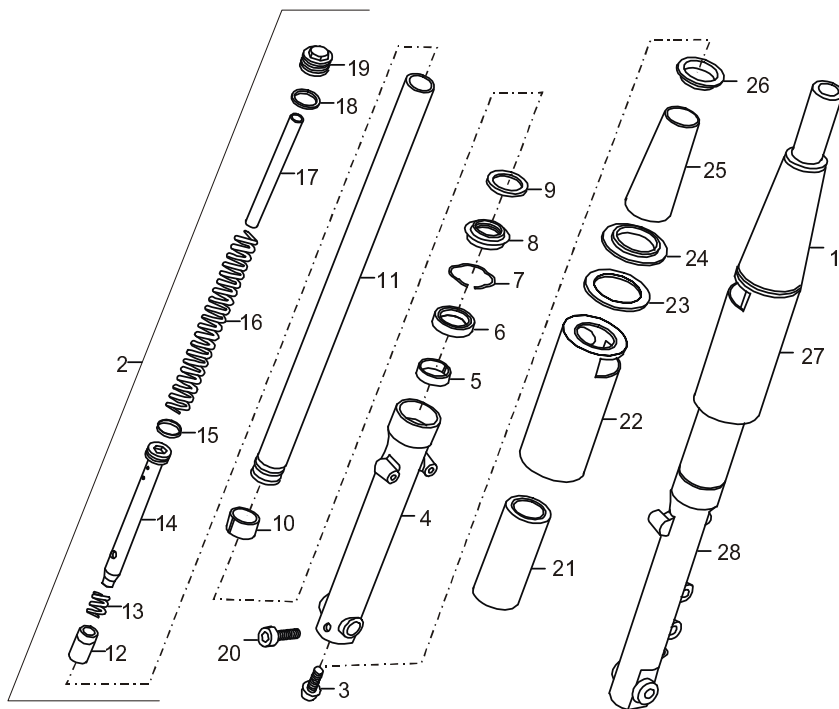
43

FIG.43

АММОРТИЗАТОРЫ ПЕРЕДНИЕ

Ref.No.	Part No.	Description	Q'ty	Remarks
1	51104QMD2010 QM150L-4B(II).31.1-00	Fork assy, LH	1	
2	51103QMD2010 QM150L-4B(II).31.2-00	Fork assy, RH	1	
3	03614Q010256 GB/T70.1-2000	Screw M10x25	2	
4	51131QMD2010 QM150L-4B(II).31.2-01	Outer RH, tube	1	
5	51167QMD2000	Guide, slide	2	
6	51153QMD2010 QM150L-4B(II).31.1-05	Seal	2	
7	51156QMD2010 QM150L-4B(II).31.1-04	Cir clip	2	
8	51173QMD2010	Cover, dust	2	
9	51158QMD2010 QM150L-4B(II).31.1-07	Washer	2	
10	51121QMD2010 QM150L-4B(II).31.1-14	Piston	2	
11	51111QMD2010 QM150L-4B(II).31.1-03	Tube, inner	2	
12	51195QMD2010 QM150L-4B(II).31.1-15	Piece, oil lock	2	
13	51177QMD2010 QM150L-4B(II).31.1-09	Spring, rebound NO.2	2	
14	51146QMD2010 QM150L-4B(II).31.1-10	Cylinder, inner	2	
15	51196QMD2010 QM150L-4B(II).31.1-08	Ring, piston	2	
16	51171QMD2010 QM150L-4B(II).31.1-02	Spring NO.1	2	
17	51176QMD2010	Bush	2	
18	51117QMD2010 QM150L-4B(II).31.1-18	O Ring	2	
19	51351QMD2010 QM150L-4B(II).31.1-17	Bolt	2	
20	03611Q00630 GB70-85	Bolt M6x30	1	

FIG.43



43

FIG.43

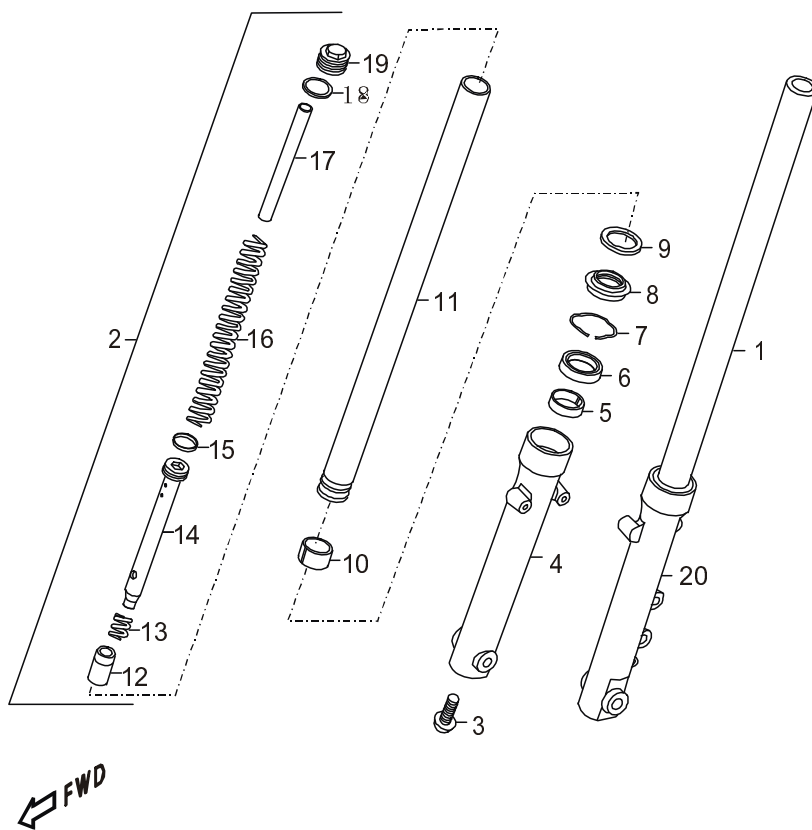
АММОТИЗАТОРЫ ПЕРЕДНИЕ

Ref.No.	Part No.	Description	Q'ty	Remarks
21	51513QMD2010	Cover	2	
22	51512QMD2010	Cover RH	1	
23	56517QMD2010	Rubber washer	2	
24	56516QMD2010	Rubber washer	2	
25	51511QMD2010	Cover	2	
26	56515QMD2010	Rubber washer	2	
27	51522QMD2010	Cover LH	1	
28	51141QMD2010 QM150L-4B(II).31.1-06	Tube, outer LH	1	



QM200-2A

FIG.43A



QM200-2A

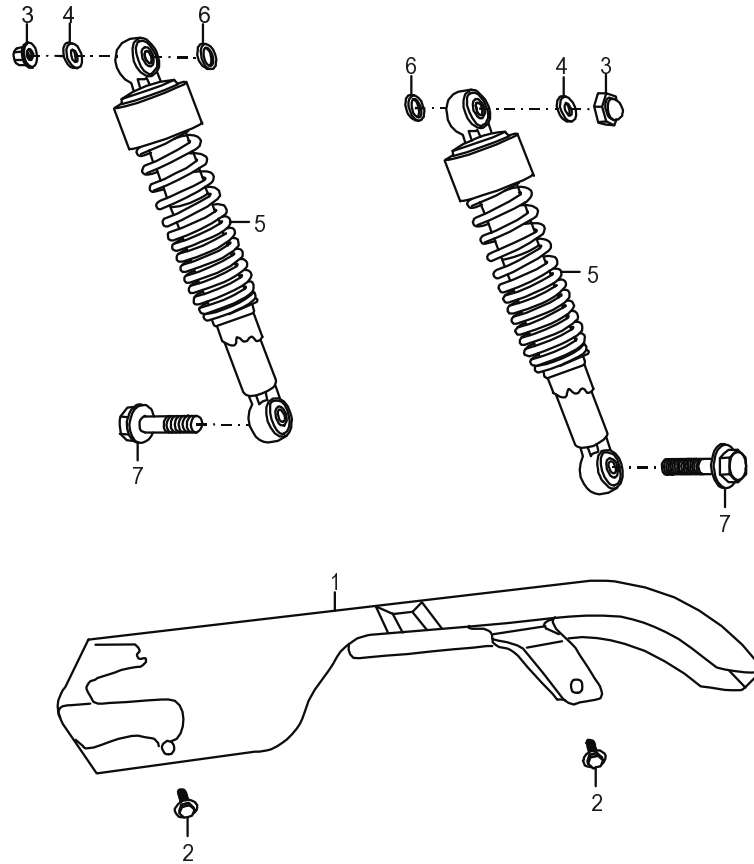
43A

FIG.43A

АММОТИЗАТОРЫ ПЕРЕДНИЕ

Ref.No.	Part No.	Description	Q'ty	Remarks
1	<u>51104QMD2000</u> QM150L-4B.31.1-00	Tube assy, LH	1	
2	<u>51103QMD2000</u> QM150L-4B.31.2-00	Tube assy, RH	1	
3	<u>03611Q01025J</u> GB70-85	Screw M10x25	2	
4	<u>51131QMD2000</u> QM150L-4B.31.2-01	Tube, outer RH	1	
5	51167QMD2000	Metal, slide	2	
6	<u>51153QMD2000</u> QM150L-4B.31.1-05	Seal, dust	2	
7	<u>51156QMD2000</u> QM150L-4B.31.1-04	Stopper, oil lock	2	
8	<u>51173QMD2000</u>	Cover, anti dust	2	
9	51158QMD2000	Washer	2	
10	<u>51121QMD2000</u> QM150L-4B.31.1-14	Piston	2	
11	<u>51111QMD2000</u> QM150L-4B.31.1-03	Tube, inner	2	
12	<u>51195QMD2000</u> QM150L-4B.31.1-15	Piece, oil lock	2	
13	<u>51177QMD2000</u> QM150L-4B.31.1-09	Spring, rebound	2	
14	<u>51146QMD2000</u> QM150L-4B.31.1-10	Cylinder, inner	2	
15	<u>51196QMD2000</u> QM150L-4B.31.1-08	Ring, piston	2	
16	<u>51171QMD2000</u> QM150L-4B.31.1-02	Spring	2	
17	51176QMD2000	Bush	2	
18	<u>51117QMD2000</u> QM150L-4B.31.1-18	O-ring	2	
19	<u>51351QMD2000</u> QM150L-4B.31.1-17	Bolt	2	
20	<u>51141QMD2000</u> QM150L-4B.31.1-06	Tube, outer LH	1	

FIG.44



QM200-2A

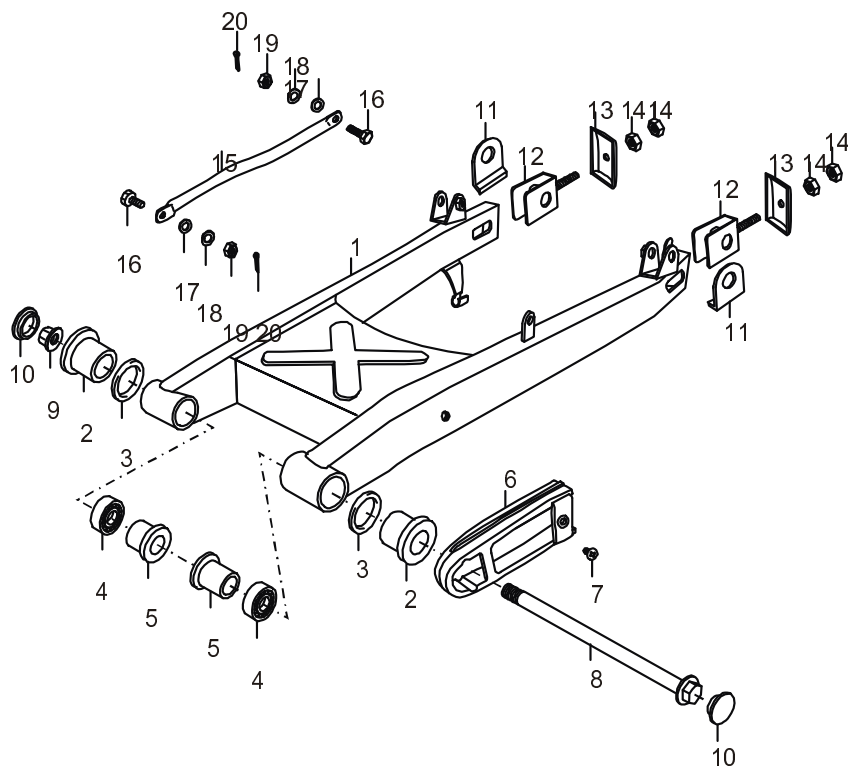
44

FIG.44

ЗАДНИЕ АММОТИЗАТОРЫ

Ref.No.	Part No.	Description	Q'ty	Remarks
1	<u>61310QMD2000</u> QM150L-4B.43.1-00	Case, chain	1	
2	<u>02104Q060085</u> GB/T16674-96	Bolt M6x8	2	
3	09145Q100001	Nut	2	
4	<u>05420Q052101</u> GB/T96.1-2002	Washer 10	2	
5	<u>62101QMD2000</u> QM150L-4B.35.1-00	Rear shock absorber	2	
6	<u>05420Q022121</u> GB/T97.1-2002	Washer 12	2	
7	<u>02504Q100401</u> GB/T16674.2-2004	Bolt M10	2	

FIG.45



QM200-2A

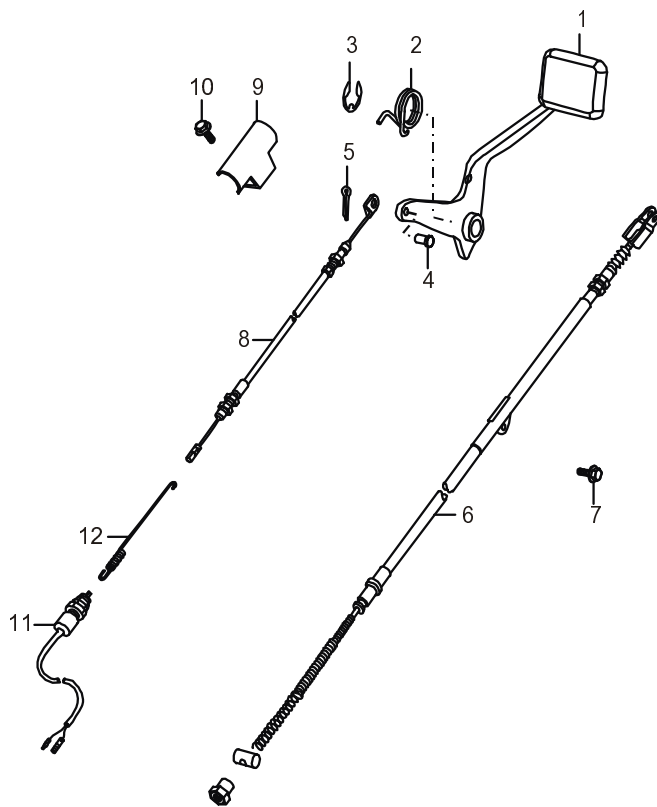
45

FIG.45

РЫЧАГ ЗАДНИЙ

Ref.No.	Part No.	Description	Q'ty	Remarks
1	<u>61100QMM1000</u> QM200-2A.42.1-00	Swinging arm, rear	1	
2	<u>61261QLAZ000</u> QM125-2.42-04	Spacer	2	
3	<u>09286Q200001</u> GS125.42.4-00	Oil seal	2	
4		Bearing TA20202	2	
5	<u>61251QMM1000</u> QM200-2A.42-05	Bush	2	
6	<u>61273QMD2000</u> QM150L-4B.42-01	Cushion	1	
7	09124Q060009	Screw M6x12	1	
8	<u>61211QMD2000</u> QM150L-4B.42-02	Shaft RR, swing arm	1	
9	<u>05409Q091145</u> GB/T6187.2-2000	Nut M14	1	
10	QM200-2A.42-4	Cap	2	
11	64712QMD2010	Indication piece	2	
12	<u>61410QMD2010</u> QM150L-4B(II).42.3-00	Adjuster, chain	2	
13	<u>61421QMD2010</u> QM150L-4B.(II).42-04	Plate	2	
14	<u>05411Q01208J</u> GB/T41-2000	Nut M8	4	
15	<u>64311QMD2000</u> QM150L-4B.34-12	Torque link	1	
16	<u>64313QMD2010</u> QM150L-4B(II).34-11	Bolt M8x25	2	
17	<u>05420Q01108J</u> GB95-85	Washer 8	2	
18	<u>05421Q011086</u> GB859-87	Lock washer 8	2	
19	<u>05411Q01208J</u> GB/T41-2000	Nut M8	2	
20	<u>04411Q20020J</u> GB/T91	Cotter pin 2x20	2	

FIG.46



QM200-2A

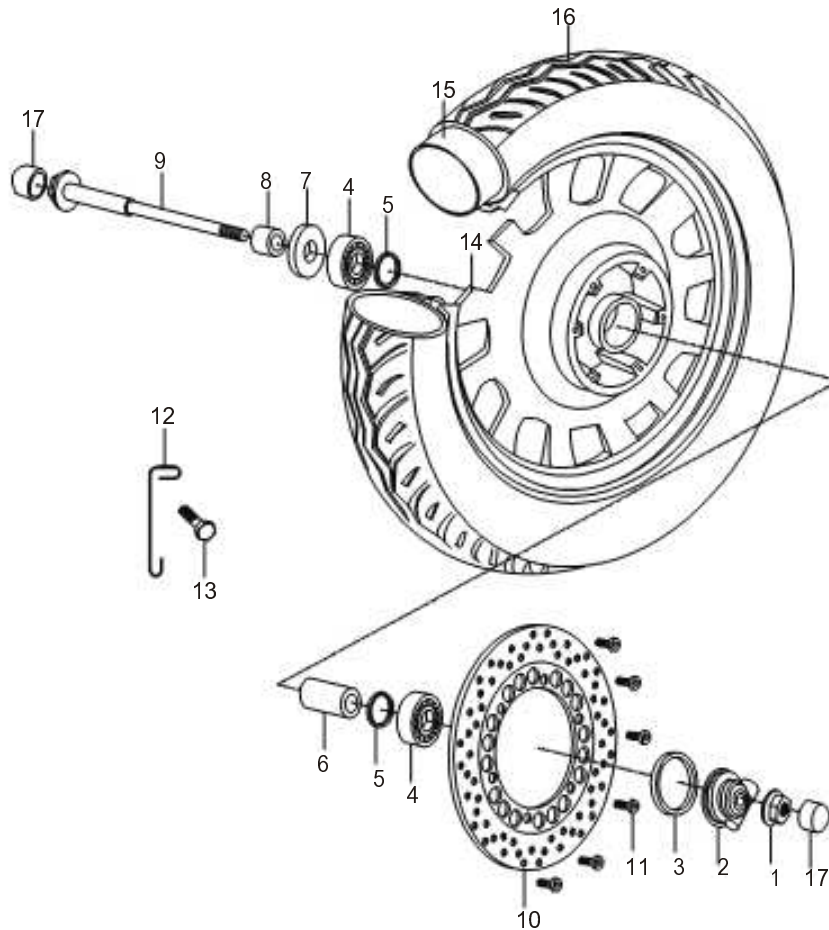
46

FIG.46

ЗАДНИЙ ТОРМОЗ

Ref.No.	Part No.	Description	Q'ty	Remarks
1	43110QMM1000 QM200-2A.48.1-00	Pedal, brake	1	
2	43233QMD2000 QM150L-4B.48-01	Spring	1	
3	05430Q041151 GB896-86	Cir clip 15	1	
4	43215QMD2000 QM150L-4B.48-02	Shaft 6x16	1	
5	04411Q200181 GB91-86	Cotter pin 2.0x18	1	
6	QM200-2A.48.2-00	Cable assy, rear brake	1	
7	02104Q060121 GB16674.1-2000	Bolt M6x12	1	
8	58810QMD2000 QM150L-4B.48.3-00	Cable, stop switch	1	
9	QM200-2A.48-3	Plate, protector	1	
10	GB5787-86	Bolt M6x10	1	
11	37702QLG1000	Switch, stop lamp	1	
12	09443Q110001 QM150L-4B.34-05	Spring	1	

FIG.47



QM200-2A

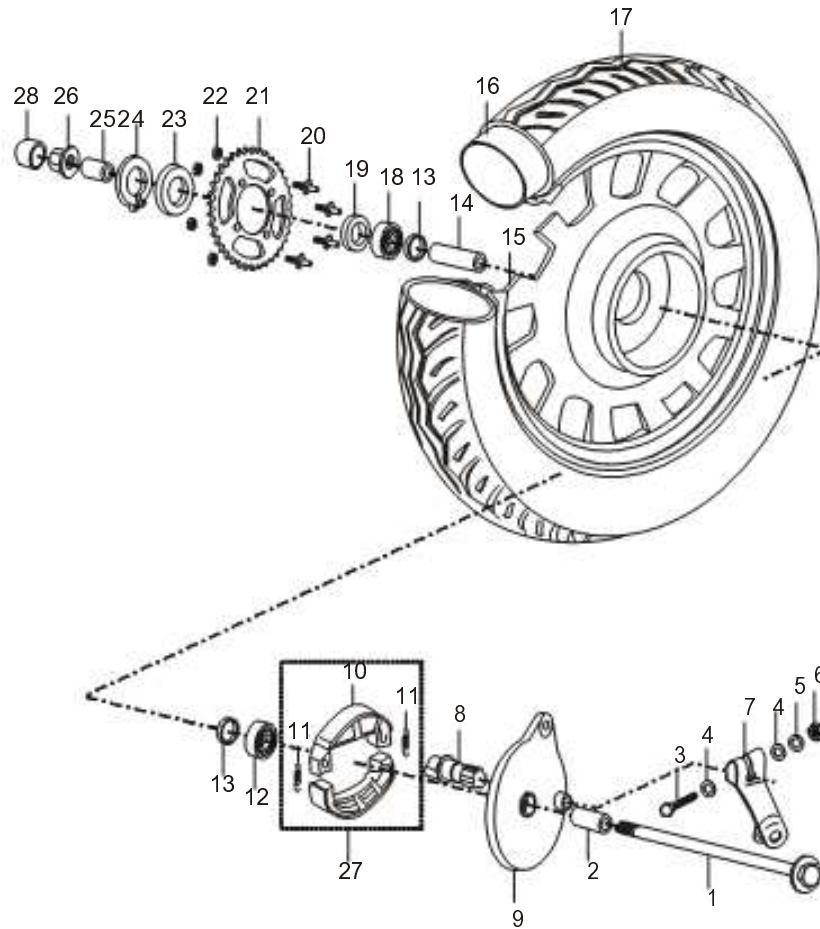
47

FIG.47

КОЛЕСО ПЕРЕДНЕЕ

Ref.No.	Part No.	Description	Q'ty	Remarks
1	05409Q091145 GB/T6187.2-2000	Nut M14x1.5	1	
2	54600QMD2000 QM150L-4B.33.1-00	Box, speedometer gear	1	
3	54891QMD2000 QM150L-4B.33-03	Seal, dust seal	1	
4	05550Q006302 GB276-88	Bearing	2	
5	54736QMD2000	Ring, rubber	2	
6	54731QMD2000 QM150L-4B.33-06	Spacer	1	
7	54893QMD2000 QM150L-4B.33-07	Oil seal	1	
8	54741QMD2010 QM150L-4B(II).33-08	Spacer	1	
9	54711QMD2010 QM150L-4B(II).33-02	Axle, front	1	
10	59411QMD2000 QM150L-4B.83-01	Disc, front brake	1	
11	59421QMD2000 QM150L-4B.83-02	Screw M8x24	6	
12	51455QMD2000 QM150L-4B.64-1	Clamp	1	
13	02104Q060101 GB16674.1-2000	Bolt M6x10	1	
14	54111QMD2010 QM150L-4B(II).33-01	Rim, front	1	
15	55200QMD2000 QM150L-4B.33.2-00	Tube, front	1	
16	55110QMD2000 QM150L-4B.33-05	Tyre, front	1	
17		Rubber cap	2	

FIG.48



QM200-2A

48

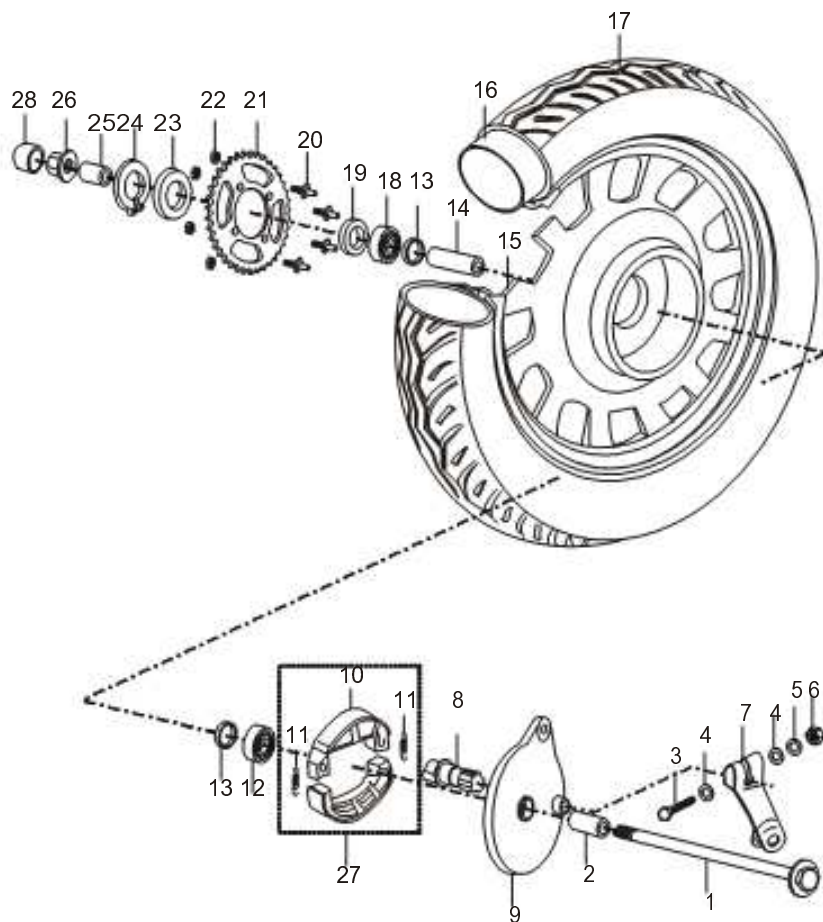
FIG.48

КОЛЕСО ЗАДНЕЕ

Ref.No.	Part No.	Description	Q'ty	Remarks
1	64711QMD2000 QM150L-4B.34-04	Axle, rear	1	
2	09180Q150006	Spacer, RH	1	
3	01501Q060351 GB/T5782-2000	Bolt M6x35	1	
4	05420Q011061 GB/T95-85	Washer 6	2	
5	05421Q011061 GB93-87	Spring washer 6	1	
6	05401Q011061 GB6170-86	Nut M6	1	
7	64451QMD2000 QM150L-4B.34-06	Lever, brake cam	1	
8	64441QMD2000 QM150L-4B.34-07	Cam, brake	1	
9	64210QMD2000 QM150L-4B.34.3-00	Panel, rear brake	1	
10	64410QMD2000 QM150L-4B.34.4-00	Brake, shoes set	2	
11	09443Q110001 QM150L-4B.34-05	Spring	2	
12	05550Q006302 GB276-88	Bearing	1	
13	64670QMD2010 QM150L-4B(II ).34.5-00	Ring, rubber	2	
14	64731QMD2010 QM150L-4B(II ).34-10	Spacer, center	1	
15	64150QMD2010 QM150L-4B(II ).34.1-00	Rim, rear	1	
16	65200QMD2000 QM150L-4B.34.2-00	Tube, rear	1	
17	65110QMD2000 QM150L-4B.34-01	Tyre, rear	1	
18	05550Q006302 GB276-88	Bearing	1	
19	64619QMD2000 QM150L-4B.34.7-00	Dust seal	1	
20	64675QMD2010 QM150L-4B(II ).34-09	Bolt	4	



FIG.48



QM200-2A

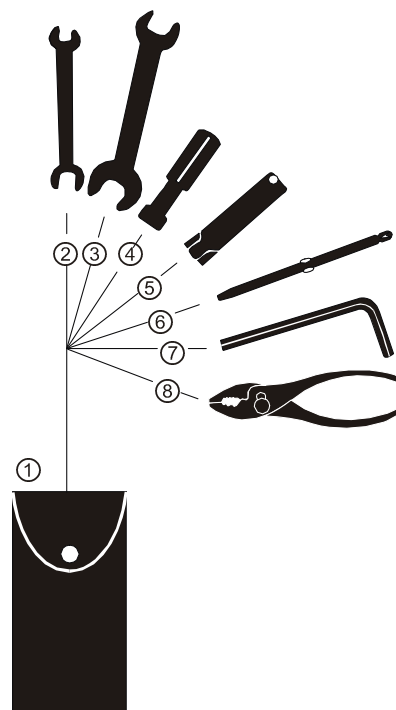
48

FIG.48

КОЛЕСО ЗАДНЕЕ

Ref.No.	Part No.	Description	Q'ty	Remarks
21	64510QMM1000 QM200-2A.34.6-00	Driven sprocket Z45	1	
22	05409Q091101 GB/T6187.2-2000	Nut M10x1.25	4	
23	64681QMD2010 QM150L-4B(II).34-08	Washer	1	
24	05430Q021526 GB/T894.1	Spring ring	1	
25	09180Q150008	Spacer, LH	1	
26	05409Q091145 GB/T6187.2-2000	Nut M14x1.5	1	
27	64401QMD2000	Rear brake comp	1	
28		Rubber cap	1	

FIG.49



49

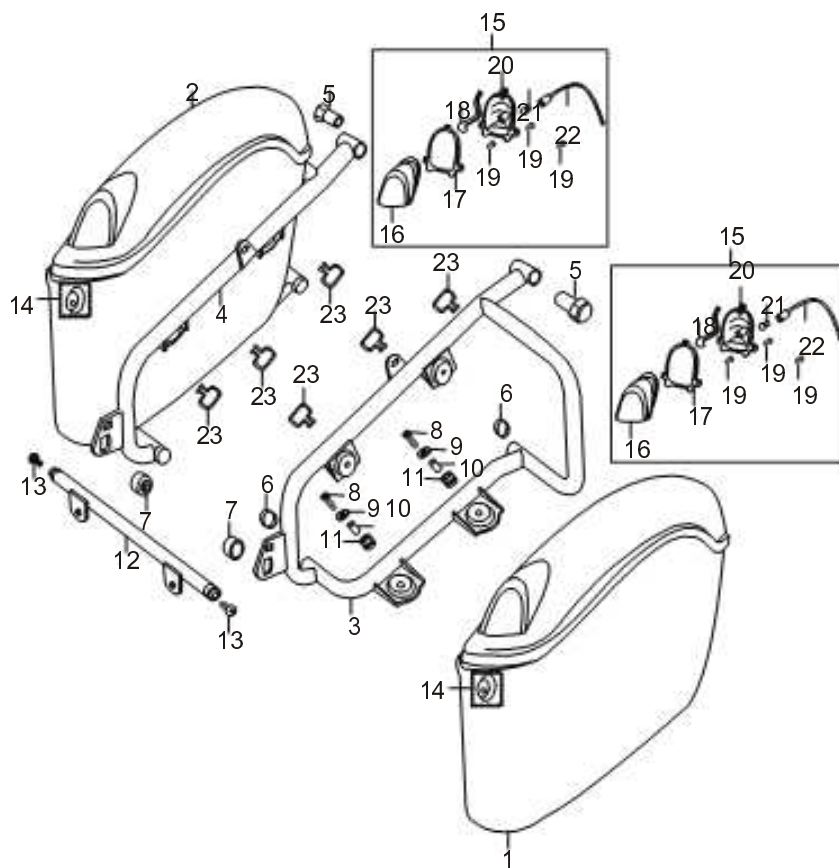
FIG.49

ИНСТРУМЕНТ

Ref.No.	Part No.	Description	Q'ty	Remarks
1	<u>09811Q000001</u> QS90.80-01	Bag, tool	1	
2	<u>09813Q000003</u> GS125.80.2-1	Spanner 10x12	1	
3	<u>09813Q000002</u> GS125.80.2-2	Spanner 14x17	1	
4	96520QLAZ000	Handlebar, screwdriver	1	
5	<u>96531OMD2000</u> QM150L-4B.80.1.1-00	Spanner, sparkplug	1	
6	<u>09814Q000001</u> GS125.80.2-6	Screwdriver	1	
7	<u>09816Q000002</u> QS90.80-7	Spanner, inner hexagon	1	
8	<u>09812Q000001</u> QS90.80.2-00	Pliers	1	

QM200-2A

FIG.50



QM200-2A

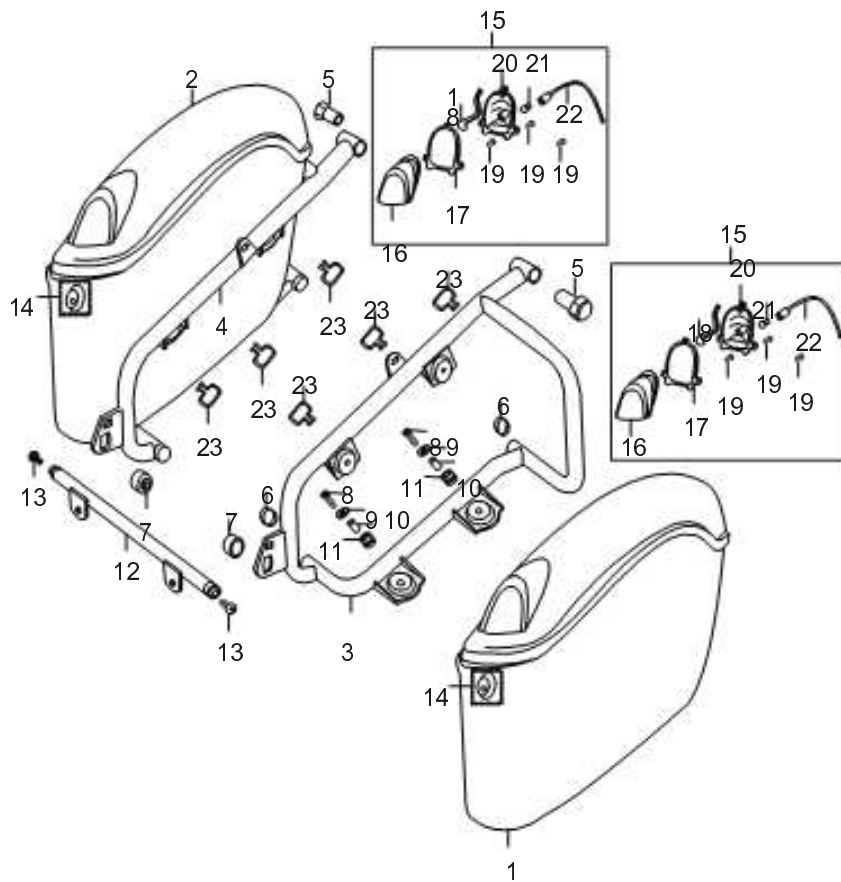
50

FIG.50

КОФРЫ

Ref.No.	Part No.	Description	Q'ty	Remarks
	<u>93410QMD2000</u>			
1	QM150L-4B.56.1-00	Side box, RH	1	
2	93420QMD2000	Side box, LH	1	
	QM150L-4B.56.2-00			
3	93510QMD2000	Bracket, side box RH	1	
	QM150L-4B.56.5-00			
4	93530QMD2000	Bracket, side box LH	1	
	QM150L-4B.56.6-00			
5	93587QMD2000	Nut M10	2	
	QM150L-4B.35-1			
6	93585QMD2000	Bush	4	
7	93586QMD2000	Cap, terminal	2	
8	03614Q006251	Screw M6x25	8	
	GB/T70.1-2000			
9	05420Q061061	Washer 6	8	
	GB5287-85			
10	93581QMD2000	Spacer	8	
11	93582QMD2000	Cushion	8	
12	93550QMD2000	Rod mounting	1	
	QM150L-4B.56.7-00			
13	02104Q080161	Bolt M8x16	2	
	GB16674.1-2004			
14	93600QMD2000	Lock assy, side box	2	
	QM150L-4B.65.5-00			
15	35801QMD2000	Lamp assy, side box	2	
16	35811QMD2000	Lense lamp	2	
17	35813QMD2000	Gasket	2	
18	35815QMD2000	Bulb socket	2	
19	04010Q031601	Screw ST3.5x16	6	
	GB/T845-85			
20	35814QMD2000	Lamp case	2	

FIG.50



50  
FIG.50

КОФРЫ

Ref.No.	Part No.	Description	Q'ty	Remarks
21	07110Q009121	Bulb 12V10W	2	
22	35830QMD2000	Wiring harness	2	
23		Clip	6	



QM200-2A