



КАТАЛОГ ЗАПЧАСТЕЙ

PATROL 125

QM125T-10H

www.SkyBike.com.ua

Внимание!

Для заказа запчастей необходимо в каталоге найти страницу с изображением интересующей вас детали. В левом верхнем углу написан код рисунка. Номер детали указан возле изображения детали. Например для заказа прокладки глушителя, для модели FORTUNE 50, вы пишете в заявке – "FIG.13 – 8 Прокладка глушителя" (или название на английском из каталога) и необходимое количество. Если группа деталей объединена скобкой, это значит, что детали продаются в комплекте.

После того, как вы определились с выбором детали, вы можете сделать заказ, уточнить наличие на складе, цену, позвонив по телефонам указанным на [сайте](#) или отправьте запрос на наш e-mail: repair@skybike.com.ua

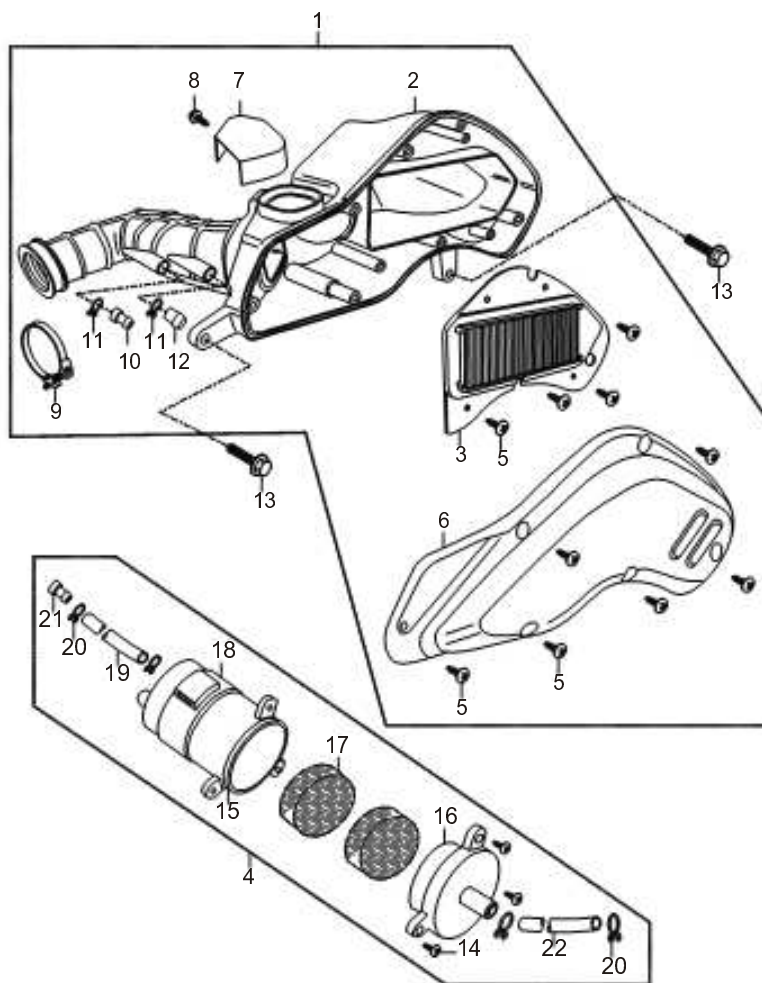
КАТАЛОГ ЗАПЧАСТЕЙ

| . No. | | Стр |
|---------|-------------------------|-----|
| FIG.18 | ВОЗДУШНЫЙ ФИЛЬТР | 1 |
| FIG.19 | ГЛУШИТЕЛЬ | 3 |
| FIG.20 | ЭЛЕКТРИЧЕСКИЕ ЧАСТИ | 4 |
| FIG.21 | ПРОВОДКА | 5 |
| FIG.22 | СПИДОМЕТР | 6 |
| FIG.22A | СПИДОМЕТР | 7 |
| FIG.23 | ФАРА | 8 |
| FIG.23A | ФАРА | 9 |
| FIG.24 | УКАЗАТЕЛИ ПОВОРОТОВ | 10 |
| FIG.25 | ФОНАРЬ ЗАДНИЙ | 11 |
| FIG.26 | РУЛЬ | 12 |
| FIG.27 | ВЫКЛЮЧАТЕЛИ РУЛЕВЫЕ | 13 |
| FIG.28 | ПЕРЕДНИЙ ТОРМОЗ В СБОРЕ | 15 |
| FIG.29 | ПЛАСТИК ПЕРЕДНИЙ | 16 |
| FIG.30 | ПЛАСТИК ВНУТРЕННИЙ | 18 |
| FIG.31 | ПЛАСТИК РАМЫ | 19 |
| FIG.32 | ПЛАСТИК РАМЫ | 20 |
| FIG.33 | СИДУШКА | 21 |
| FIG.34 | КРЫЛЬЯ | 22 |
| FIG.35 | РАМА | 23 |
| FIG.36 | ПОДНОЖКИ | 24 |
| FIG.36A | ПОДНОЖКИ | 25 |

КАТАЛОГ ЗАПЧАСТЕЙ

| . No. | | Стр |
|--------|---------------------|-----|
| FIG.37 | БЕНЗОБАК | 26 |
| FIG.38 | ВИЛКА ПЕРЕДНЯЯ | 27 |
| FIG.39 | АММОТИЗАТОРЫ ЗАДНИЕ | 28 |
| FIG.40 | ДИСК ПЕРЕДНИЙ | 29 |
| FIG.41 | ДИСК ЗАДНИЙ | 30 |
| FIG.42 | БАГАЖНИК | 31 |
| FIG.43 | ИНСТРУМЕНТ | 32 |
| FIG.44 | КЕЙС | 33 |

FIG.18



QM125T-10H

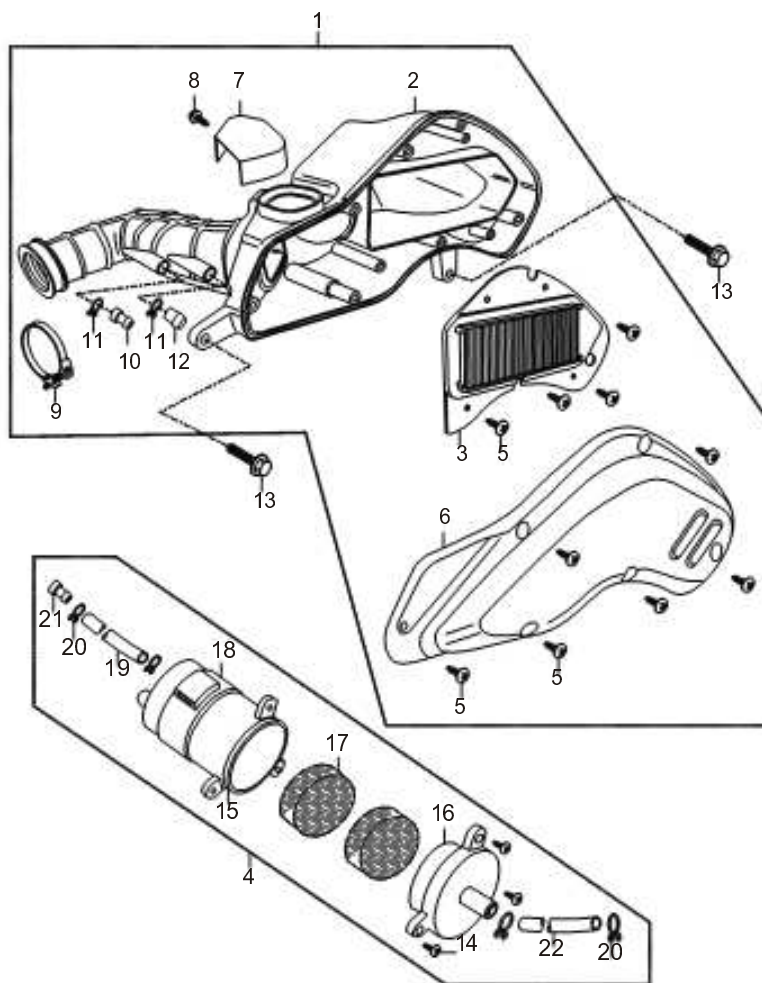
18

FIG.18

ВОЗДУШНЫЙ ФИЛЬТР

| Ref.No. | Part No. | Description | Q'ty | Remarks |
|---------|--------------------------------------|--------------------------|------|---------|
| 1 | 13701QEK5000 QM125T-10E.11.1-00 | Air cleaner assy | 1 | |
| 2 | 13721QEK5000 QM125T-10E.11.1-2 | Case assy, air cleaner | 1 | |
| 3 | 13780QEK5000 QM125T-10E.11.1.2-00 | Element, air cleaner | 1 | |
| 4 | | Oil collector assy | 1 | |
| 5 | 04010Q051602 GB/T845-1985 | Screw ST4.8x16 | 10 | |
| 6 | 13741QEK5000 QM125T-10E.11.1-1 | Cover comp, air cleaner | 1 | |
| 7 | 13981QEK5000 QM125T-10E.11.1-3 | Guard | 1 | |
| 8 | 04010Q041302 GB/T845-1985 | Screw ST4.2x13 | 1 | |
| 9 | 13820QEK5000 QM125T-10E.11.1.1-00 | Clamp, connecting tube | 1 | |
| 10 | 13842QEK5000 QM125T-10E.11.1-8 | Plug, pipe | 1 | |
| 11 | 09401Q084001 GS125.44-5 | Clamp, connecting tube | 2 | |
| 12 | 13999QEK5000 | Plug | 1 | |
| 13 | QM125T-10E.11.1-7 011320060302 | Bolt M6x30 | 2 | |
| 14 | GB/T9074.13-1988 | Screw | 3 | |
| 15 | | Case, oil collector | 1 | |
| 16 | | Cover, oil collector | 1 | |
| 17 | | Sponge | 2 | |
| 18 | | Band, oil collector assy | 1 | |
| 19 | | Hose | 1 | |
| 20 | | Clamp | 4 | |

FIG.18



QM125T-10H

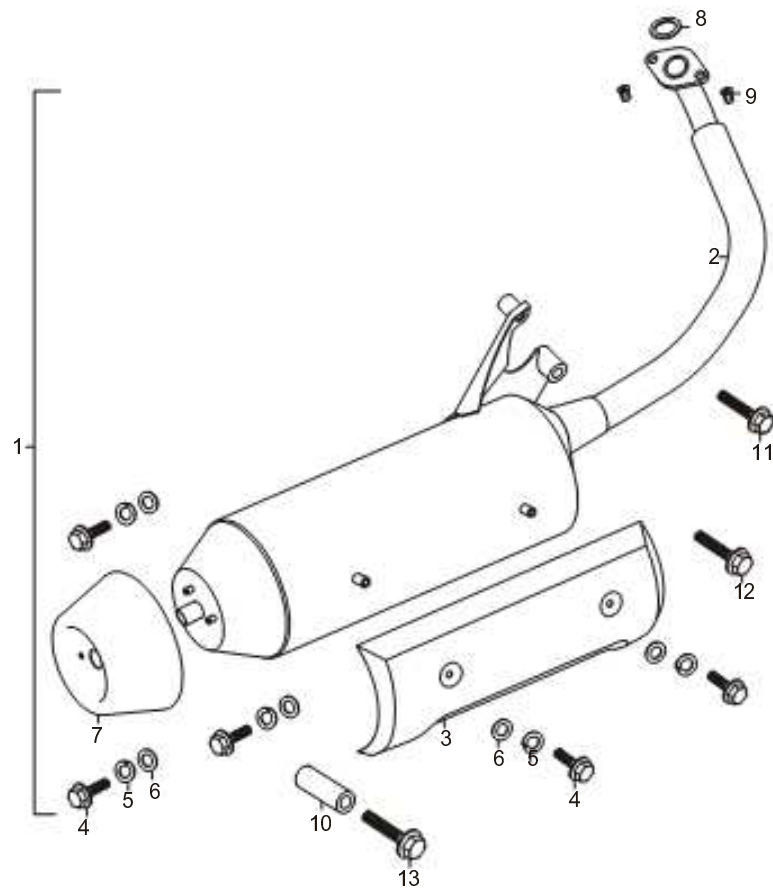
18

FIG.18

ВОЗДУШНЫЙ ФИЛЬТР

| Ref.No. | Part No. | Description | Q'ty | Remarks |
|---------|----------|-------------|------|---------|
| 21 | | Plug | 1 | |
| 22 | | Hose | 1 | |

FIG.19



QM125T-10H

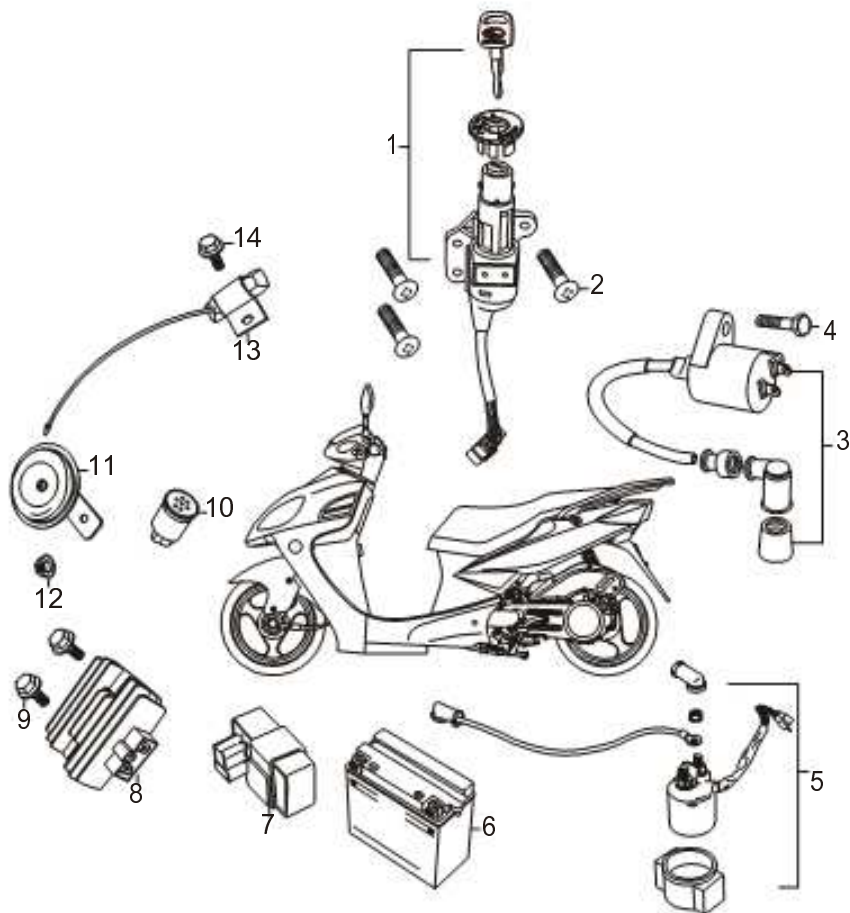
19

FIG.19

ГЛУШИТЕЛЬ

| Ref.No. | Part No. | Description | Q'ty | Remarks |
|---------|---|---------------------------|------|---------|
| 1 | <u>14300QEK8000</u> QM125T-10H.09-00 | Muffler assy | 1 | |
| 2 | <u>14301QEK8000</u> QM125T-10H.09.1-00 | Exhaust muffler weld assy | 1 | |
| 3 | <u>14781QEK8000</u> QM125T-10H.09-02 | Cover, muffler | 1 | |
| 4 | <u>02105Q060105</u> GB/T16674.1-2004 | Bolt M6x10 | 5 | |
| 5 | <u>05420Q011065</u> GB/T96-85 | Washer | 5 | |
| 6 | <u>05421Q021065</u> GB/T859-87 | Spring washer | 5 | |
| 7 | <u>14788QEK8000</u> QM125T-10H.09-01 | Tail cover, muffler | 1 | |
| 8 | <u>14181QEA2000</u> P152QML09-2 | Gasket, exhaust | 1 | |
| 9 | <u>09159Q080002</u> QM125T-10H.09-03 | Nut M8 | 2 | |
| 10 | <u>14423QEK4000</u> QM125T-10D.09-02 | Spacer | 1 | |
| 11 | <u>02105Q080652</u> GB/T16674.1-2004 | Bolt M8x65 | 1 | |
| 12 | <u>02105Q080722</u> GB/T16674.1-2004 | Bolt M8x72 | 1 | |
| 13 | <u>02105Q080552</u> GB/T16674.1-2004 | Bolt M8x55 | 1 | |

FIG.20



20

FIG.20

ЭЛЕКТРИЧЕСКИЕ ЧАСТИ

| Ref.No. | Part No. | Description | Q'ty | Remarks |
|---------|---|-------------------------------|------|---------|
| 1 | 37101QEK4000 | Ignition switch assy | 1 | |
| 2 | | Screw M6x20 | 3 | |
| 3 | P152QMI-A.07-02 | Coil assy, ignition | 1 | |
| 4 | | Bolt M5x20 | 1 | |
| 5 | GB5781-86 31800QEA2000 QM125T-B.73-00 | Relay assy, starting motor | 1 | |
| 6 | 33601QDA1000 QM100T-A.60-00 | Battery assy | 1 | |
| 7 | 32901QEA2000 P152QMI.07.3-00 | CDI unit | 1 | |
| 8 | 32801QEK4010 QM125T-10D(A).71.1-00 | Regulator comp | 1 | |
| 9 | 02105Q060252 GB/T16674.1-2004 | Bolt M6x25 | 2 | |
| 10 | 38600QEA7000 QM125T-G.72-00 | Flasher assy | 1 | |
| 11 | 38501QAA2000 QM50QT-3.63-00 | Horn comp | 1 | |
| 12 | 05404Q012062 | Nut | 1 | |
| 13 | 36502QEJD000 QM125T-9N.76-00 | Resistor | 1 | |
| 14 | 02104Q060122 GB/T16674.1-2004 | Bolt M6x12 | 1 | |

QM125T-10H

FIG.21



QM125T-10H

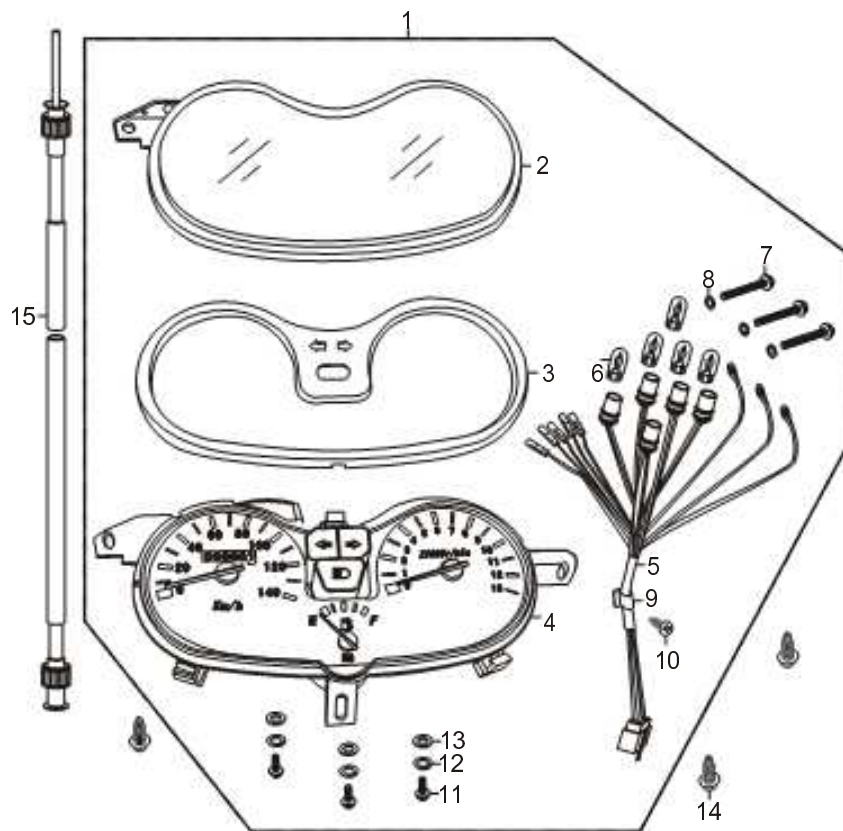
21

FIG.21

ПРОВОДКА

| Ref.No. | Part No. | Description | Q'ty | Remarks |
|---------|--|----------------|------|---------|
| 1 | <u>36610QEK4010</u> QM125T-10D(A),67-00 | Wiring harness | 1 | |
| 1A | <u>36610QEK4020</u> QM125T-10D(B),67-00 | Wiring harness | 1 | |
| 2 | | | | |
| 3 | <u>36620QEK4000</u> | Wire | 1 | |
| 4 | 09407Q154001 | Clamp7x150 | 1 | |
| 5 | <u>09407Q204001</u> | Clamp7x200 | 5 | |

FIG.22



QM125T-10H

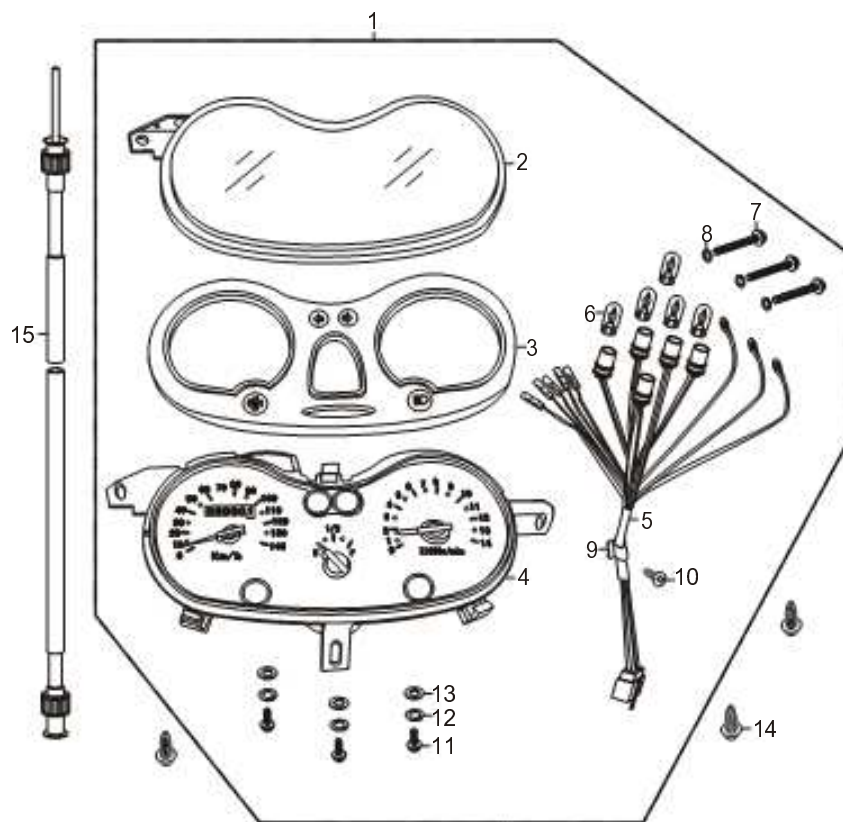
22

FIG.22

СПИДОМЕТР

| Ref.No. | Part No. | Description | Q'ty | Remarks |
|---------|---|-----------------------------|------|---------|
| 1 | <u>34102QEK4000</u> QM125T-10D.64.1-00 | Speedometer assy | 1 | |
| 2 | | Cover | 1 | |
| 3 | | Len | 1 | |
| 4 | | Lower case and dial plate | 1 | |
| 5 | 34170QEK4000 | Wiring harness, speedometer | 1 | |
| 6 | <u>07112Q010101</u> | Bulb 12V2W | 5 | |
| 7 | | Screw | 3 | |
| 8 | | Lock washer | 3 | |
| 9 | 34194QEK4000 | Clip | 1 | |
| 10 | | Screw | 1 | |
| 11 | | Screw | 3 | |
| 12 | | Lock washer | 3 | |
| 13 | | Washer | 3 | |
| 14 | <u>04010Q041602</u> GB/T845-85 | Screw ST4.2x16 | 3 | |
| 15 | <u>34910QEK4000</u> QM125T-10D.64.2-00 | Cable assy, speedometer | 1 | |

FIG.22A



22A

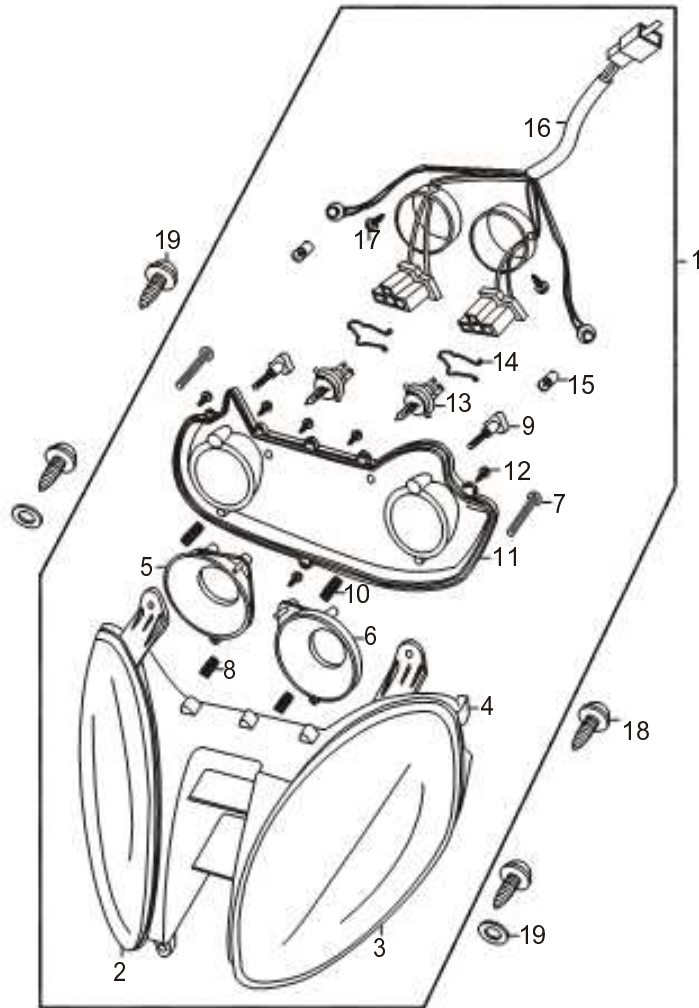
FIG.22A

СПИДОМЕТР

| Ref.No | Part No. | Description | Q'ty | Remarks |
|--------|---|-----------------------------|------|---------|
| 1 | <u>34102QEK4010</u> QM125T-10D(A)64.1-00 | Speedometer assy | 1 | |
| 2 | | Lens | 1 | |
| 3 | | Cover | 1 | |
| 4 | | Lower case and dial plate | 1 | |
| 5 | | Wiring harness, speedometer | 1 | |
| 6 | 07112Q010101 | Bulb 12V2W | 5 | |
| 7 | | Screw | 3 | |
| 8 | | Lock washer | 3 | |
| 9 | * | Clip | 1 | |
| 10 | | Screw | 1 | |
| 11 | | Screw | 3 | |
| 12 | | Lock washer | 3 | |
| 13 | | Washer | 3 | |
| 14 | <u>04010Q041602</u> GB/T845-85 | Screw ST4.2x16 | 3 | |
| 15 | <u>34910QEK4000</u> QM125T-10D.64.2-00 | Cable assy, speedometer | 1 | |

QM125T-10H

FIG.23



QM125T-10H

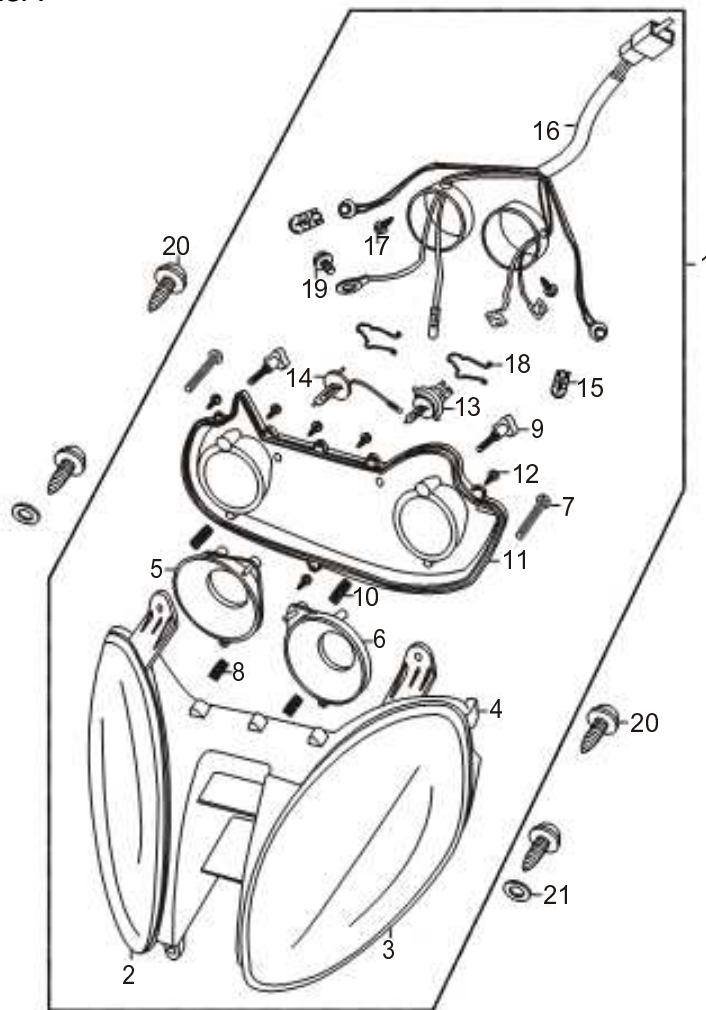
23

FIG.23

ΦΑΡΑ

| Ref.No. | Part No. | Description | Q'ty | Remarks |
|---------|---|------------------------|------|---------|
| 1 | <u>35101QEK4000</u> QM125T-10D.62.1.1-00 | Headlamp assy | 1 | |
| 2 | | Lens, headlamp RH | 1 | |
| 3 | | Lens, headlamp LH | 1 | |
| 4 | | Hood, head lamp | 1 | |
| 5 | | Reflector, RH | 1 | |
| 6 | | Reflector, LH | 1 | |
| 7 | | Screw | 2 | |
| 8 | | Spring | 2 | |
| 9 | 35153QEK4000 | Adjust screw | 2 | |
| 10 | | Spring, adjust screw | 2 | |
| 11 | 51811QEK4000 | Socket | 1 | |
| 12 | 04010Q021001 | Screw ST3.9x10 | 6 | |
| 13 | 07110Q003121 | Bulb HS1 12V35W/35W | 1 | |
| 14 | 35127QEK4000 | Clip, headlamp bulb | 2 | |
| 15 | | Bulb, position | 2 | |
| 16 | | Wire assy, light | 1 | |
| 17 | | Screw, tapping | 2 | |
| 18 | <u>04010Q0511602</u> GB845-85 | Screw ST4.8x16 | 4 | |
| 19 | | Washer | 2 | |

FIG.23A



QM125T-10H

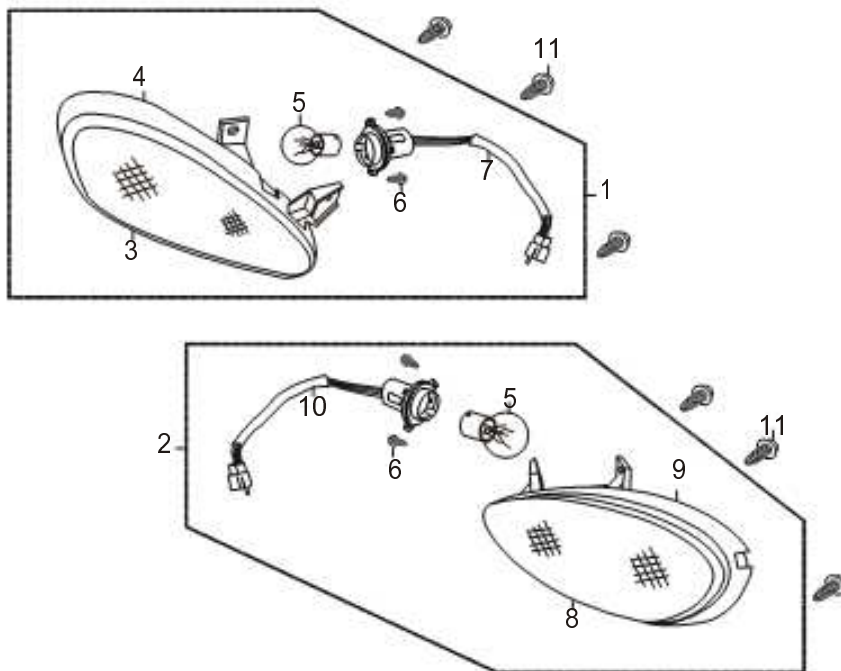
23A

FIG.23A

ΦAPA

| Ref.No. | Part No. | Description | Q'ty | Remarks |
|---------|--|------------------------|------|---------|
| 1 | <u>35101QEK4020</u> QM125T-10D(B).62.1.1-00 | Headlamp assy | 1 | |
| 2 | | Lens, headlamp RH | 1 | |
| 3 | | Lens, headlamp LH | 1 | |
| 4 | | Hood, head lamp | 1 | |
| 5 | | Reflector, RH | 1 | |
| 6 | | Reflector, LH | 1 | |
| 7 | | Screw | 2 | |
| 8 | | Spring | 2 | |
| 9 | 35153QEK4000 | Adjust screw | 2 | |
| 10 | | Spring, adjust screw | 2 | |
| 11 | 51811QEK4000 | Socket | 1 | |
| 12 | 04010Q021001 | Screw ST3.9x10 | 6 | |
| 13 | 07110Q003121 | Bulb HS1 12V35W/35W | 1 | |
| 14 | | Bulb H4 12V55W/55W | 1 | |
| 15 | | Bulb, position | 2 | |
| 16 | | Wire assy, light | 1 | |
| 17 | | Screw, tapping | 2 | |
| 18 | 35127QEK4000 | Clip, headlamp bulb | 2 | |
| 19 | | Screw | 1 | |
| 20 | <u>04010Q0511602</u> GB845-85 | Screw ST4.8x16 | 4 | |
| 21 | | Washer | 2 | |

FIG.24



QM125T-10H

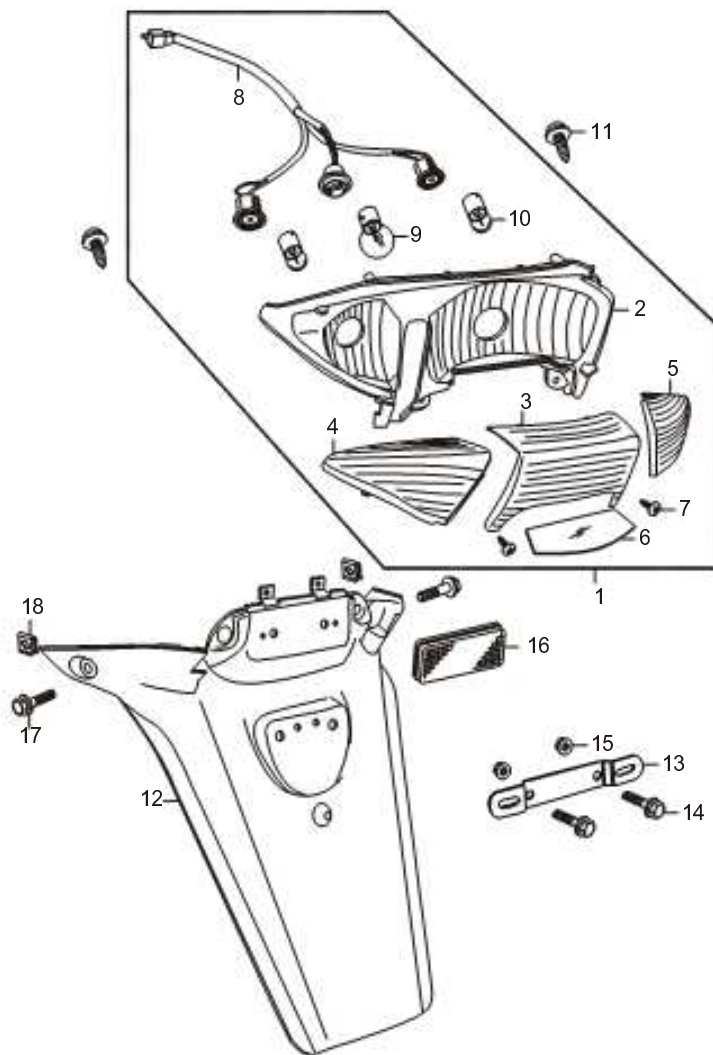
24

FIG.24

УКАЗАТЕЛИ ПОВОРОТОВ

| Ref.No. | Part No. | Description | Q'ty | Remarks |
|---------|---|------------------------|------|---------|
| 1 | 35601QEK4020 QM125T-10D(B).62.2.1-00 | Front winker, RH | 1 | |
| 2 | 35602QEK4020 QM125T-10D(B).62.2.2-00 | Front winker, LH | 1 | |
| 3 | | Lens, front winker, RH | 1 | |
| 4 | | Body, front winker, RH | 1 | |
| 5 | 07110Q009121 | Bulb 12V10W | 2 | |
| 6 | | Screw | 4 | |
| 7 | | Wire assy, RH | 1 | |
| 8 | | Lens, front winker, LH | 1 | |
| 9 | | Body, front winker, LH | 1 | |
| 10 | | Wire assy, LH | 1 | |
| 11 | 04010Q041302 GB845-85 | Screw ST4.2x13 | 6 | |

FIG.25



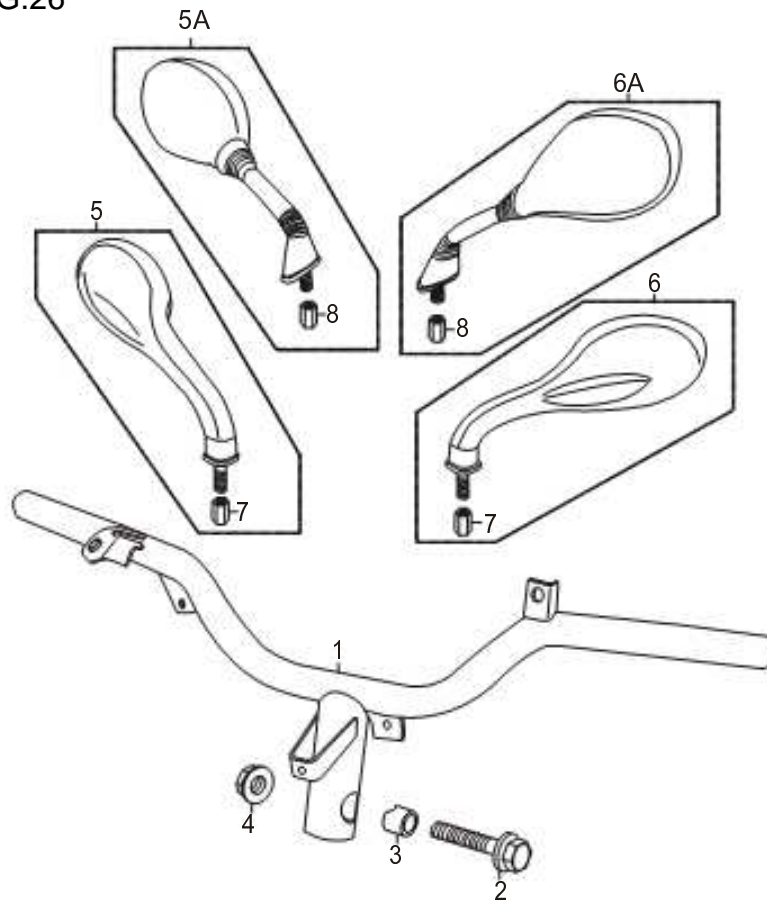
QM125T-10H

FIG.25

ФОНАРЬ ЗАДНИЙ

| Ref No | Part No | Description | Q'ty | Remarks |
|--------|---|------------------------|------|---------|
| 1 | <u>35700QEK8000</u> QM125T-10H.62.3-00 | Tail lamp assy | 1 | |
| 2 | | Body, tail lamp | 1 | |
| 3 | | Lens, tail lamp | 1 | |
| 4 | | Lens, rear winker, LH | 1 | |
| 5 | | Lens, rear winker, RH | 1 | |
| 6 | | Lens, license lamp | 1 | |
| 7 | | Screw, tapping | 2 | |
| 8 | | Wire assy, tail lamp | 1 | |
| 9 | 07110Q007121 | Bulb, tail lamp | 2 | |
| 10 | 07110Q009121 | Bulb, rear winker R10W | 2 | |
| 11 | <u>04010Q051302</u> GB845-85 | Screw ST4.8x13 | 2 | |
| 12 | <u>63111QEK8000</u> QM125T-10H.38-1 | Rear fender | 1 | |
| 13 | <u>96702QED2000</u> QM125T-4B.99.2-00 | Bracket, license plate | 1 | |
| 14 | <u>02104Q060162</u> GB/T16674 | RR | 2 | |
| 15 | <u>05404Q012062</u> GB6177.1-2000 | Flange bolt M6x16 | 2 | |
| 16 | <u>35970QED2000</u> QM125T-4B.74.1-00 | Flange nut M6 | 2 | |
| 17 | <u>02104Q060122</u> GB/T16674 | Reflector, rear | 1 | |
| 18 | | Flange bolt M6x12 | 2 | |
| 18 | | Clip | 2 | |

FIG.26



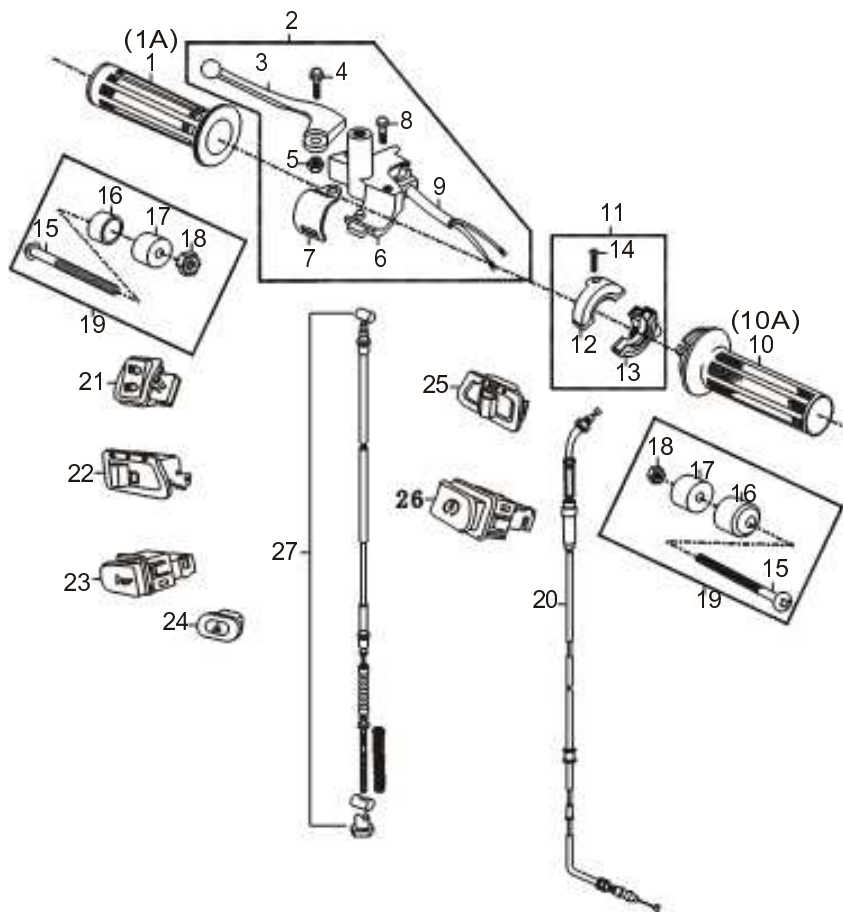
26
FIG26

РУЛІВ

| Ref.No. | Part No. | Description | Q'ty | Remarks |
|---------|--|---------------------------------|------|---------|
| 1 | <u>56110QEK4000</u> QM125T-10H.32.1-00 | Handlebar weld assy | 1 | |
| 2 | <u>02104Q100552</u> GB/T16674 | Bolt, handlebar location | 1 | |
| 3 | <u>56213QEK4000</u> QM125T-10D.32-02 | Spacer, location bolt | 1 | |
| 4 | 05409Q095102 | Nut M10x1.25 handlebar location | 1 | |
| 5 | <u>56510QEK4000</u> QM125T-10D.32.8-00 | Mirror assy, RH | 1 | |
| 5A | <u>56510QAGZ030</u> QM50QT-6(III).32.2-00 | Mirror assy, RH | 1 | |
| 6 | <u>56610QEK4000</u> QM125T-10D.32.5-00 | Mirror assy, LH | 1 | |
| 6A | <u>56610QAGZ030</u> QM50QT-6(III).32.1-00 | Mirror assy, LH | 1 | |
| 7 | * | Nut, mirror | 2 | |
| 8 | * | Nut, mirror | 2 | |

QM125T-10H

FIG.27



QM125T-10H

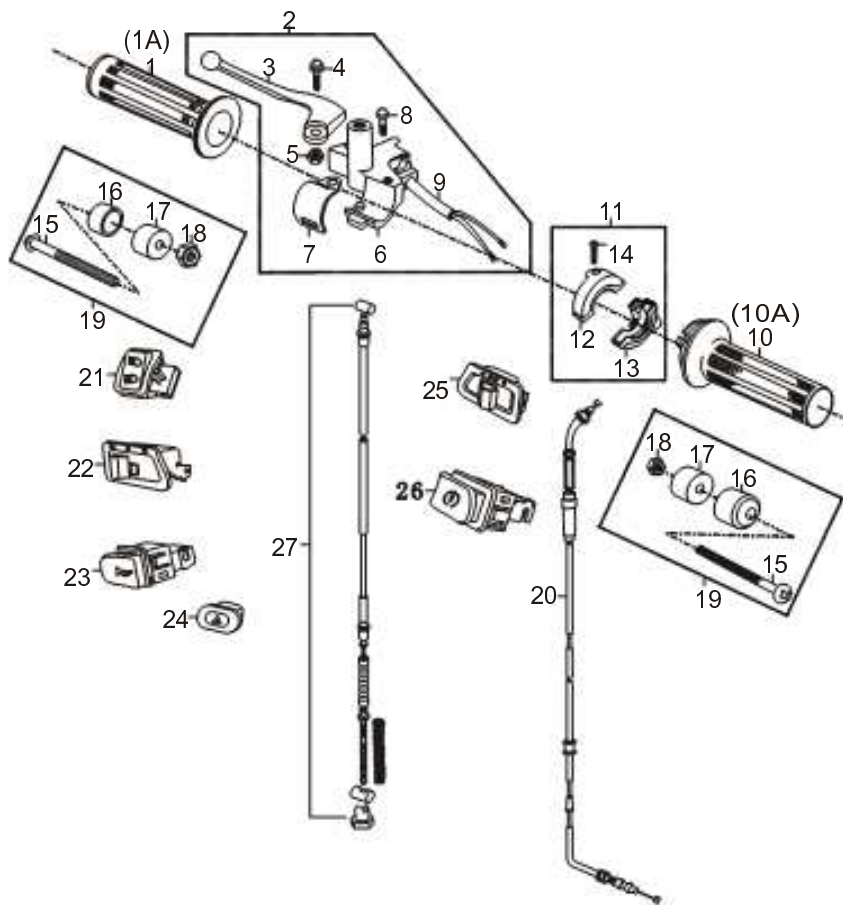
27

FIG.27

ВЫКЛЮЧАТЕЛИ РУЛЕВЫЕ

| Ref.No. | Part No. | Description | Q'ty | Remarks |
|---------|---------------------------------------|------------------------------|------|---------|
| 1 | 57211QEK4000 | Grip, LH | 1 | |
| 1A | QM125T-10D.32-1 57211QEK4100 | Grip, LH | 1 | |
| 2 | QM125T-10D(M).32-1 57500QEK4000 | Bracket assy, brake lever LH | 1 | |
| 3 | 57621QEK4000 | Lever, rear brake | 1 | |
| 4 | 57634QEK4000 | Screw, rear brake lever | 1 | |
| 5 | 57633QEK4000 | Nut, brake lever | 1 | |
| 6 | 57511QEK4000 | Bracket, brake lever LH | 1 | |
| 7 | 57531QEK4000 | Band bracket, LH | 1 | |
| 8 | | Screw, left handle bracket | 1 | |
| 9 | 37740QEK4000 | Switch assy, stop lamp | 1 | |
| 10 | 57110QEK4000 | Grip, throttle | 1 | |
| 10A | 57110QEK4100 QM125T-10D(M).32.3-00 | Grip, throttle | 1 | |
| 11 | 57120QEK4000 | Case assy, throttle | 1 | |
| 12 | 57121QEK4000 | Upper case, throttle | 1 | |
| 13 | 57131QEK4000 | Lower case, throttle | 1 | |
| 14 | 02104Q060252 | Screw, throttle case | 1 | |
| 15 | * 56279QKMZ000 QM100-12.32.7-03 | Screw, balancer | 2 | |
| 16 | * 56271QKMZ000 QM100-12.32.7-01 | Balancer, handle | 2 | |
| 17 | * 56272QKMZ000 QM100-12.32.7-02 | Rubber plug, balancer | 2 | |
| 18 | * 05403Q011061 GB/T6172.1-2000 | Nut, balancer | 2 | |
| 19 | | Balancer assy, handle | 2 | |

FIG.27



QM125T-10H

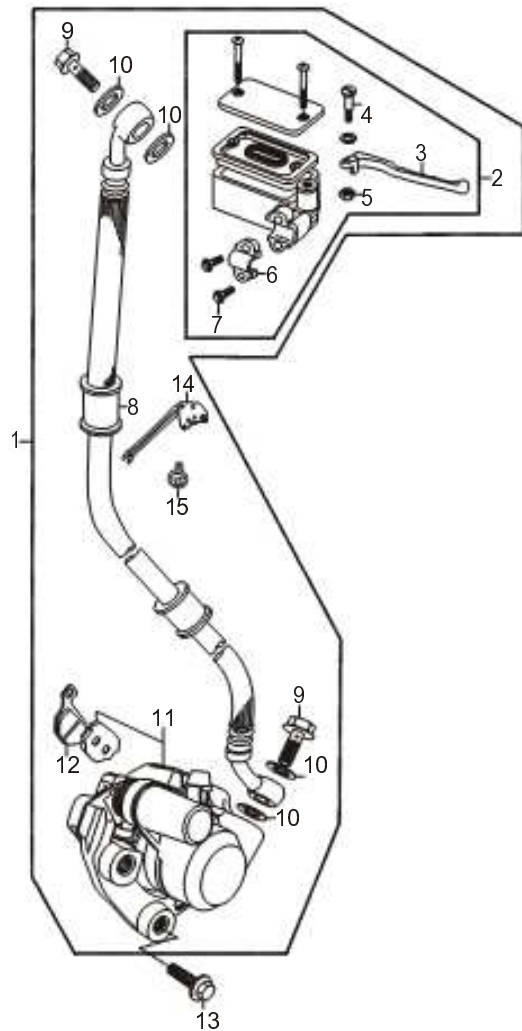
27

FIG.27

ВЫКЛЮЧАТЕЛИ РУЛЕВЫЕ

| Ref.No. | Part No. | Description | Q'ty | Remarks |
|---------|---|------------------------|------|---------|
| 20 | <u>58300QEK4000</u> QM125T-10D.32.6-00 | Cable assy, throttle | 1 | |
| 21 | <u>37420QEK4000</u> QM125T-10D.66.1-00 | Dimmer switch | 1 | |
| 22 | <u>37440QEK4000</u> QM125T-10D.66.3-00 | Winker switch | 1 | |
| 23 | <u>37450QEK4000</u> QM125T-10D.66.2-00 | Horn switch | 1 | |
| 24 | <u>37480QEK4000</u> QM125T-10D.66.4-00 | Warning switch | 1 | |
| 25 | <u>37230QEK4000</u> QM125T-10D.66.6-00 | Switch, headlamp | 1 | |
| 26 | <u>37220QEK4000</u> QM125T-10D.66.5-00 | Start button | 1 | |
| 27 | <u>58500QEK4000</u> QM125T-10D.32.7-00 | Cable assy, rear brake | 1 | |

FIG.28



QM125T-10H

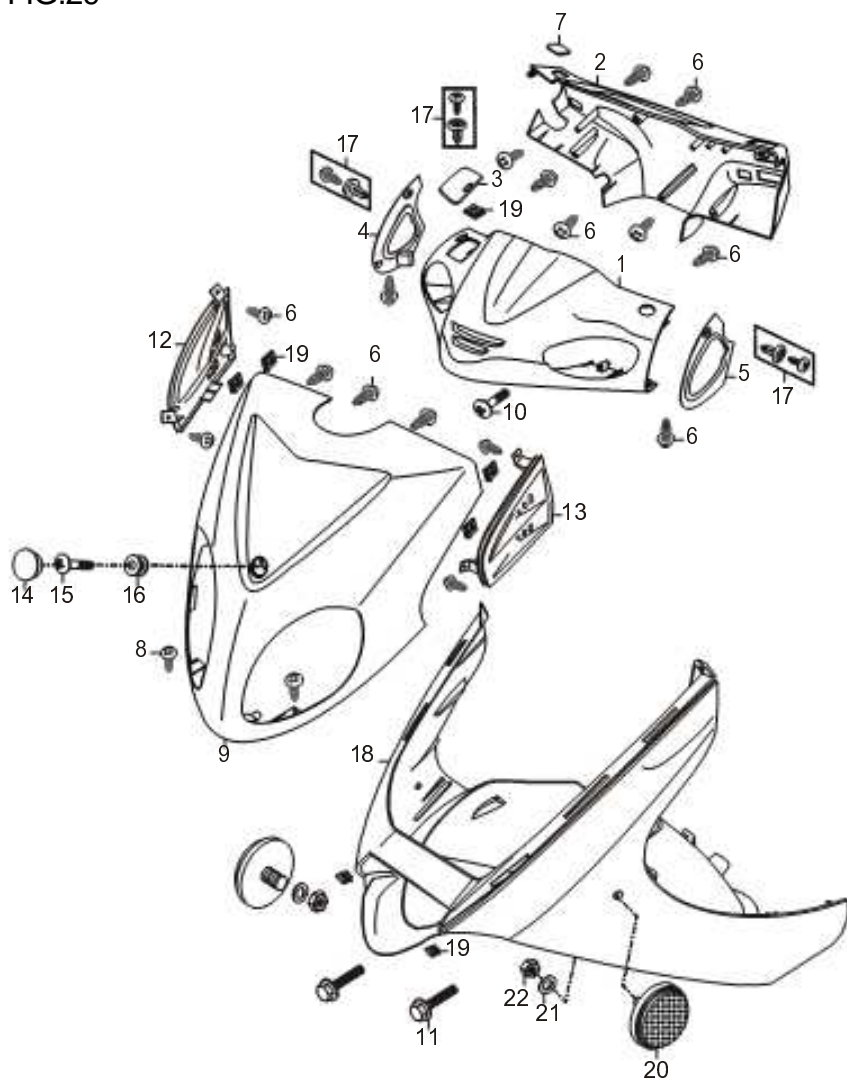
28

FIG.28

ПЕРЕДНИЙ ТОРМОЗ В СБОРЕ

| Ref.No. | Part No. | Description | Q'ty | Remarks |
|---------|---|----------------------------|------|---------|
| 1 | <u>59000QEK4000</u> QM125T-10D.83-00 | Front brake assy | 1 | |
| 2 | <u>59600QEK4000</u> QM125T-10D.83.2-00 | Master cylinder assy | 1 | |
| 3 | 57421QEK4000 | Lever, front brake | 1 | |
| 4 | | Bolt M6x30, brake lever | 1 | |
| 5 | | Nut M6, brake lever | 1 | |
| 6 | | Bracket, master cylinder | 1 | |
| 7 | | Bolt M6x25 | 2 | |
| 8 | <u>59280QEK4000</u> QM125T-10D.83.3-00 | Hose assy, front brake | 1 | |
| 9 | | Bolt M10x24hollow | 2 | |
| 10 | | Washer 10, hollow bolt | 4 | |
| 11 | <u>59100QEK4000</u> QM125T-10D.83.1-00 | Brake caliper assy | 1 | |
| 12 | | Pad assy | 2 | |
| 13 | <u>02104Q100325</u> GB/T16674 | Bolt M10x32x1.25 | 2 | |
| 14 | 57460QEK4000 | Switch assy, stop lamp | 1 | |
| 15 | | Screw | 1 | |

FIG.29



QM125T-10H

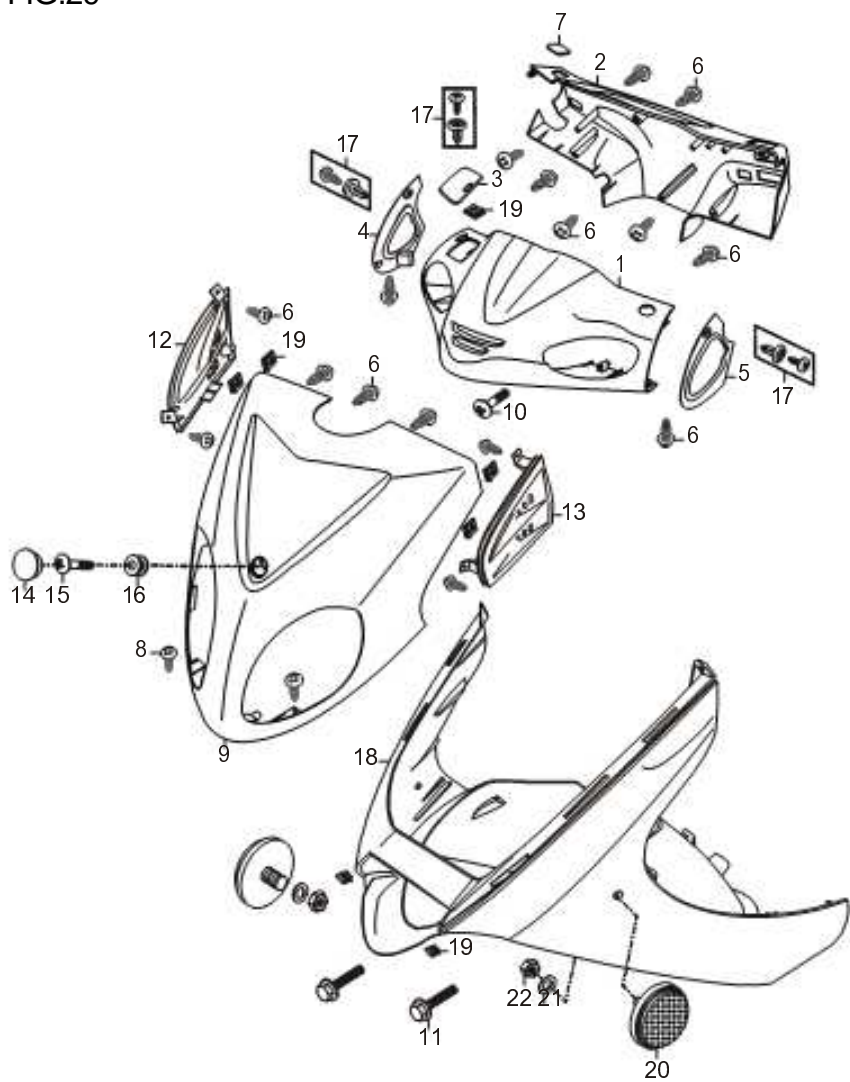
29

FIG.29

ПЛАСТИК ПЕРЕДНИЙ

| Ref.No. | Part No. | Description | Q'ty | Remarks |
|---------|----------------------------------|-----------------------------------|------|---------|
| 1 | 56311QEK8000 QM125T-10H.46-01 | Cover, handle front | 1 | |
| 2 | 56321QEK8000 QM125T-10H.46-03 | Cover, handle rear | 1 | |
| 3 * | 56316QEK8000 QM125T-10H.46-02 | Inspection lid, brake oil | 1 | |
| 4 | 56313QEK8000 QM125T-10H.46-06 | Shield, RH, handle | 1 | |
| 5 | 56314QEK8000 QM125T-10H.46-05 | Shield, LH, handle | 1 | |
| 6 | 04010Q041302 GB845-85 | Screw ST4.2x13 | 16 | |
| 7 | 56323QEK8000 QM125T-10H.46-04 | Inspection cover, brake oil lever | 1 | |
| 8 | 04010Q041602 GB845-85 | Screw ST4.2x16 | 2 | |
| 9 | 48111QEK8000 QM125T-10H.46-07 | Front cover | 1 | |
| 10 | 03411Q050251 GB818-85 | Screw M5x25 | 1 | |
| 11 | 02104Q060162 GB/T16674 | Flange bolt M6x16 | 2 | |
| 12 | 47511QEK8000 QM125T-10H.46-11 | Window cover, RH | 1 | |
| 13 | 47521QEK8000 QM125T-10H.46-10 | Window cover, LH | 1 | |
| 14 | 48117QEK8000 QM125T-10H.46-08 | Cap, bolt | 1 | |
| 15 | GB973 | Screw M6x20 | 1 | |
| 16 | 09305Q090002 QM125-10N.62.2-1 | Rubber grommet | 1 | |
| 17 | | Screw assy | 3 | |
| 18 | 48137QEK8000 QM125T-10H.46-09 | Cover shield assy, front | 1 | |
| 19 | 09148Q040001 | Clip | 6 | |
| 20 | 35901QEDZ000 QM125T-4.78.1-00 | Reflector, side | 2 | |

FIG.29



29

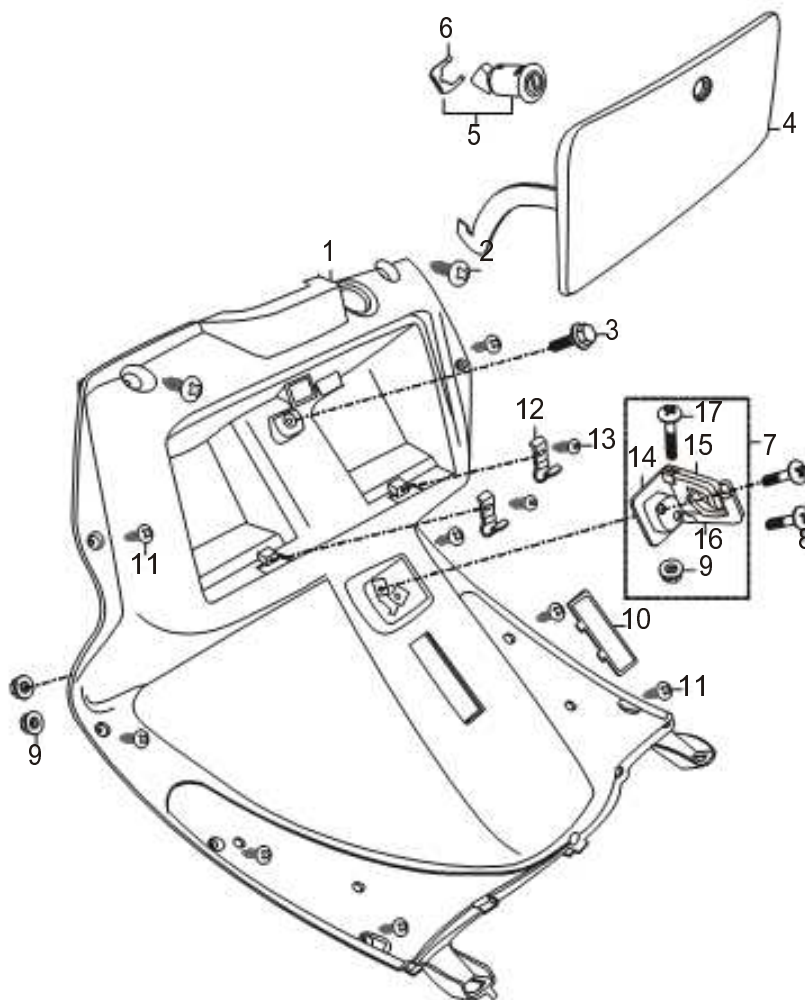
FIG.29

ПЛАСТИК ПЕРЕДНИЙ

| Ref.No. | Part No. | Description | Q'ty | Remarks |
|---------|----------|-------------|------|---------|
| 21 | | Washer | 2 | |
| 22 | | Nut | 2 | |

QM125T-10H

FIG.30



QM125T-10H

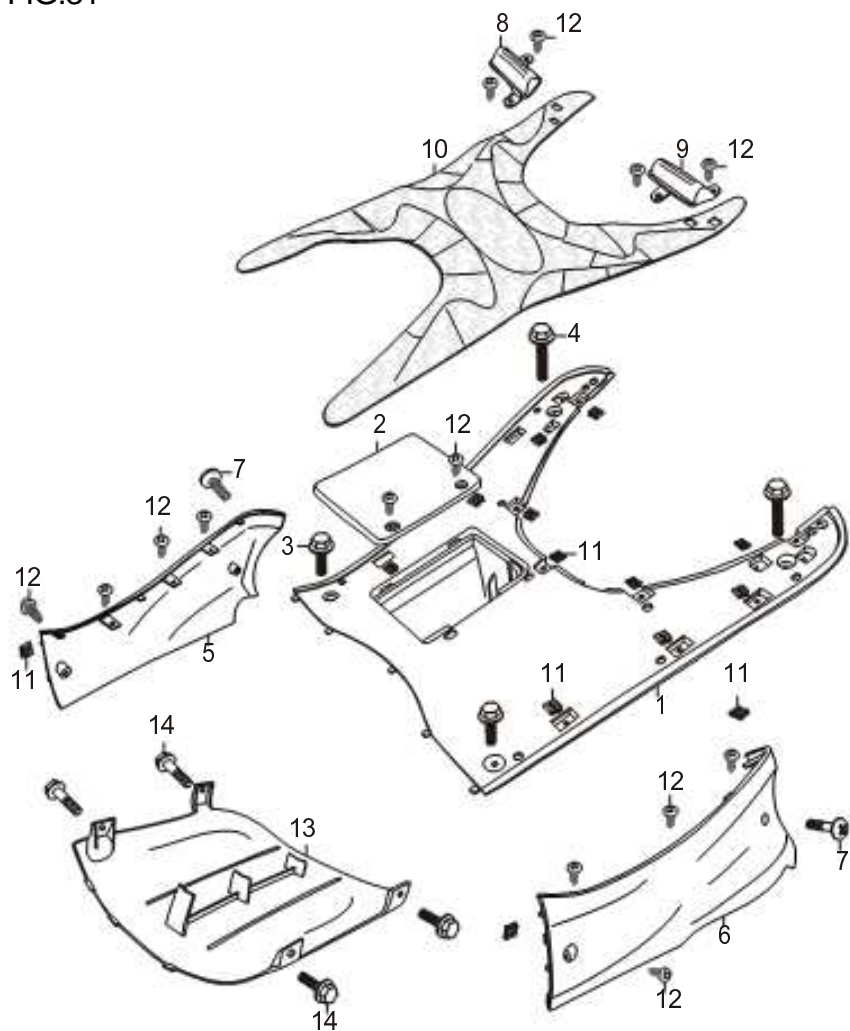
30

FIG.30

ПЛАСТИК ВНУТРЕННИЙ

| Ref.No. | Part No. | Description | Q'ty | Remarks |
|---------|--|-----------------------------------|------|---------|
| 1 | 92111QEK8000 QM125T-10H.46-18 | Inner shield, leg | 1 | |
| 2 | 04010Q051602 GB845-85 | Screw ST4.8x16 | 2 | |
| 3 | 02104Q060162 GB/T16674 | Flange bolt M6x16 | 1 | |
| 4 | 92112QEK8000 QM125T-10H.46-20 | Lid, inner box | 1 | |
| 5 | 47700QEK4000 | Lock assy, inner box | 1 | |
| 6 | 45861QEK4000 | Circlip | 1 | |
| 7 | | Hook assy, helmet | 1 | |
| 8 | 03411Q050252 GB818-85 | Screw M5x25 | 2 | |
| 9 | 05404Q012052 GB6177.1-2000 | Nut M5 | 3 | |
| 10 | 92121QEK8000 QM125T-10H.46-19 04010Q041602 | Inspection cover, frame number | 1 | |
| 11 | GB845-85 | Screw ST4.2x16 | 8 | |
| 12 | INF-F1796-00 | Hinge | 2 | |
| 13 | 04010Q041302 GB/T845-85 | Screw ST4.2x13 | 2 | |
| 14 | 92517QEK8000 QM125T-10H.46-21 | Hook seat, helmet | 1 | |
| 15 | 92518QEK8000 QM125T-10H.46-22 | Hook, upper | 1 | |
| 16 | 92519QEK8000 QM125T-10H.46-23 | Hook, lower | 1 | |
| 17 | 03411Q050452 GB818-85 | Screw M5x45 | 1 | |

FIG.31



QM125T-10H

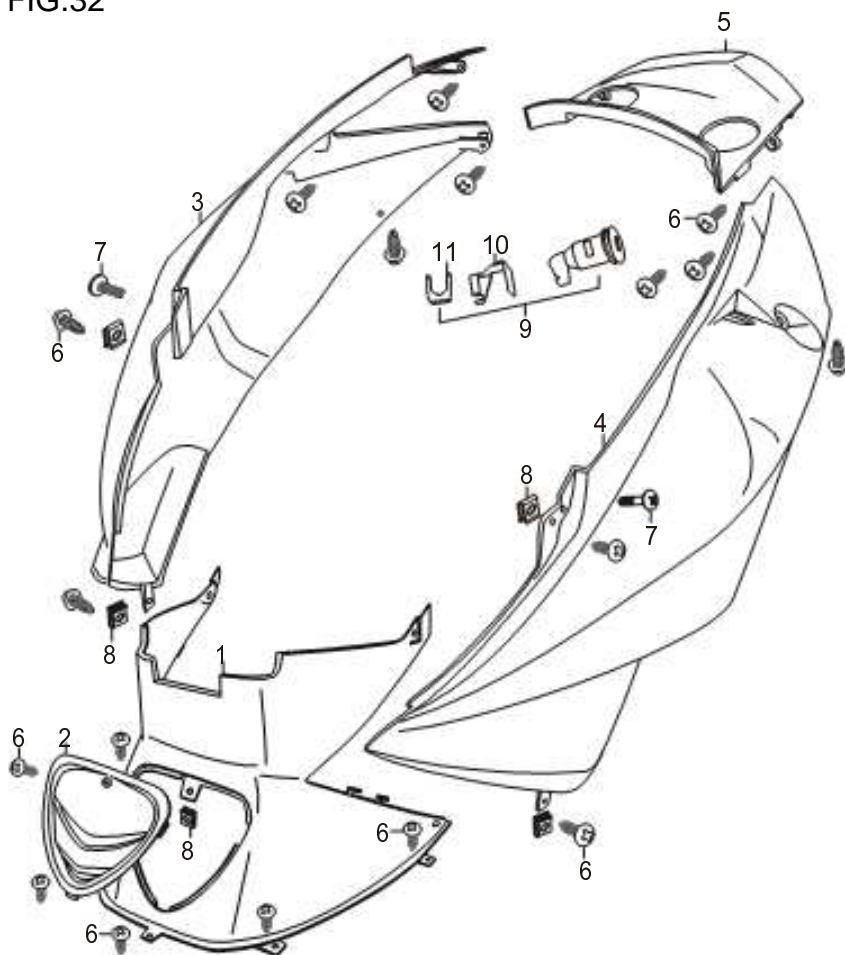
31

FIG.31

ПЛАСТИК РАМЫ

| Ref.No. | Part No. | Description | Q'ty | Remarks |
|---------|----------------------------------|---------------------|------|---------|
| 1 | 48121QEK8000 QM125T-10H.46-24 | Panel comp, floor | 1 | |
| 2 | 33642QEK8000 QM125T-10H.46-25 | Cover, battery case | 1 | |
| 3 | 02104Q060162 GB/T16674 | Flange bolt M6x16 | 2 | |
| 4 | 02104Q060302 GB/T16674 | Flange bolt M6x30 | 2 | |
| 5 | 47131QEK8000 QM125T-10H.46-27 | Cover, RH, floor | 1 | |
| 6 | 47231QEK8000 QM125T-10H.46-26 | Cover, LH, floor | 1 | |
| 7 | 03411Q060161 GB818-85 | Screw M6x16 | 2 | |
| 8 | 48123QEK8000 QM125T-10H.46-31 | Rear footrest, RH | 1 | |
| 9 | 48124QEK8000 QM125T-10H.46-30 | Rear footrest, LH | 1 | |
| 10 | 43551QEK8000 QM125T-10H.46-32 | Mat, floor | 1 | |
| 11 | 09148Q040001 | Clip | 15 | |
| 12 | 04010Q051602 GB845-85 | Screw ST4.8x16 | 16 | |
| 13 | 48127QEK8000 QM125T-10H.46-29 | Frame cover, lower | 1 | |
| 14 | 02104Q060122 GB/T16674 | Flange bolt M6x12 | 4 | |

FIG.32



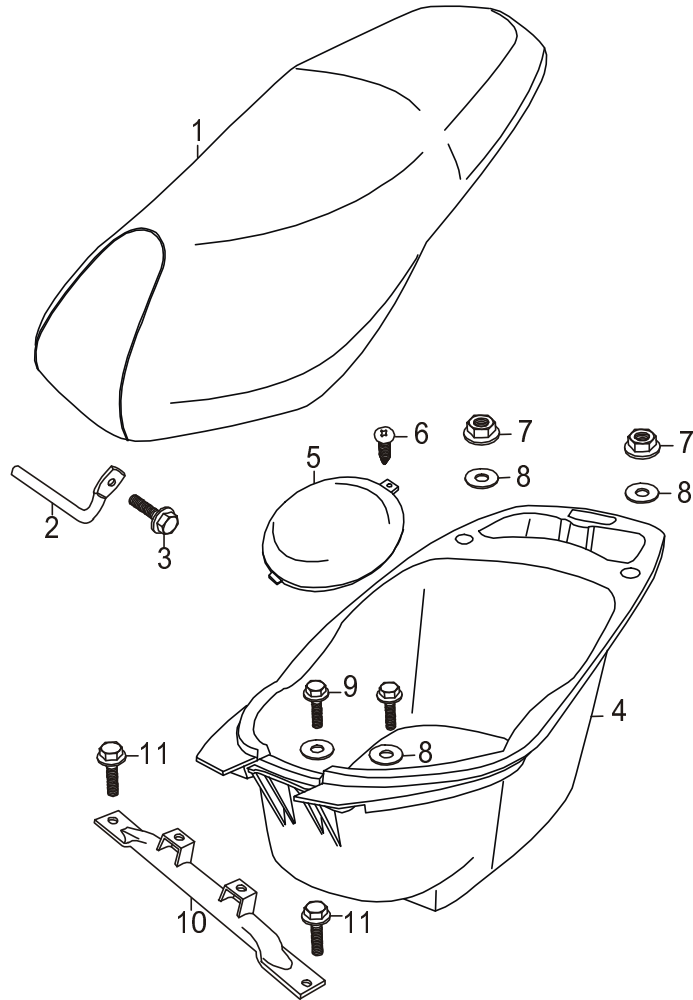
32
FIG.32

ПЛАСТИК РАМЫ

| Ref.No. | Part No. | Description | Q'ty | Remarks |
|---------|--|--------------------------|------|---------|
| 1 | <u>47351OEK8000</u> QM125T-10H.46-16 | Center cover, front | 1 | |
| 2 | <u>48145OEK4000</u> QM125T-10H.46-17 | Inspection cover, center | 1 | |
| 3 | <u>47111OEK8000</u> QM125T-10H.46-15 | Side cover, frame RH | 1 | |
| 4 | <u>47211OEK8000</u> QM125T-10H.46-14 | Side cover, frame LH | 1 | |
| 5 | <u>47321OEK8000</u> QM125T-10H.46-28 | Cover, rear | 1 | |
| 6 | <u>04010Q051602</u> GB845-85 GB973 | Screw ST4.8x16 | 14 | |
| 7 | | Screw M6x12 | 2 | |
| 8 | 09148Q040001 | Clip ST4.2 | 5 | |
| 9 | 45801QE4000 | Lock set, seat | 1 | |
| 10 | 45851QE4000 | Holder, seat lock | 1 | |
| 11 | 45861QE4000 | Clip, seat lock | 1 | |

QM125T-10H

FIG.33



QM125T-10H

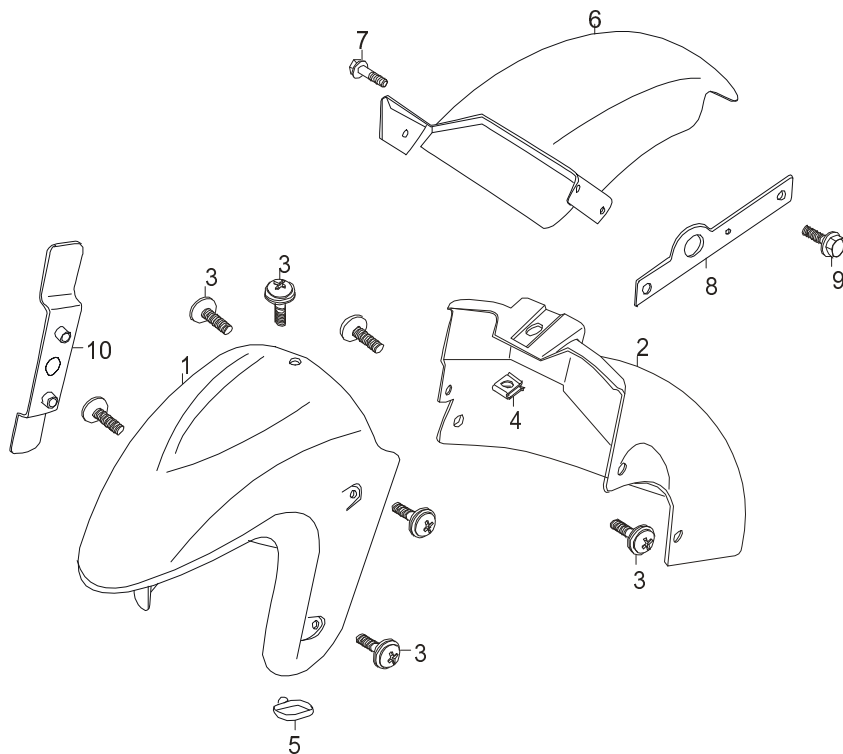
33

FIG.33

СИДІВКА

| Ref.No. | Part No. | Description | Q'ty | Remarks |
|---------|------------------------------------|---------------------------------|------|---------|
| 1 | 45100QEK8000 QM125T-10H.36.1-00 | Seat comp | 1 | |
| 2 * | 45273QEK8000 QM125T-10H.36-02 | Hinger pin | 1 | |
| 3 | 02104Q060122 GB/T16674 | Flange bolt M6x12 | 1 | |
| 4 | 92211QEK8000 QM125T-10H.46-12 | Helmet box assy | 1 | |
| 5 | 92212QEK8000 QM125T-10H.46-13 | Inspection cover, carburetor | 1 | |
| 6 | 04010Q051602 GB845-85 | Screw ST4.8x16 | 1 | |
| 7 | 05404Q012062 GB6177.1-2000 | Flange nut M6 | 2 | |
| 8 | 05420Q051061 GB96-85 | Washer 6 | 4 | |
| 9 | 02104Q060162 GB/T16674 | Flange bolt M6x16 | 2 | |
| 10 | 41450QEK8000 QM125T-10H.30.2-00 | Bracket, helmet box | 1 | |
| 11 | 02104Q060122 GB/T16674 | Flange bolt M6x12 | 2 | |

FIG.34



QM125T-10H

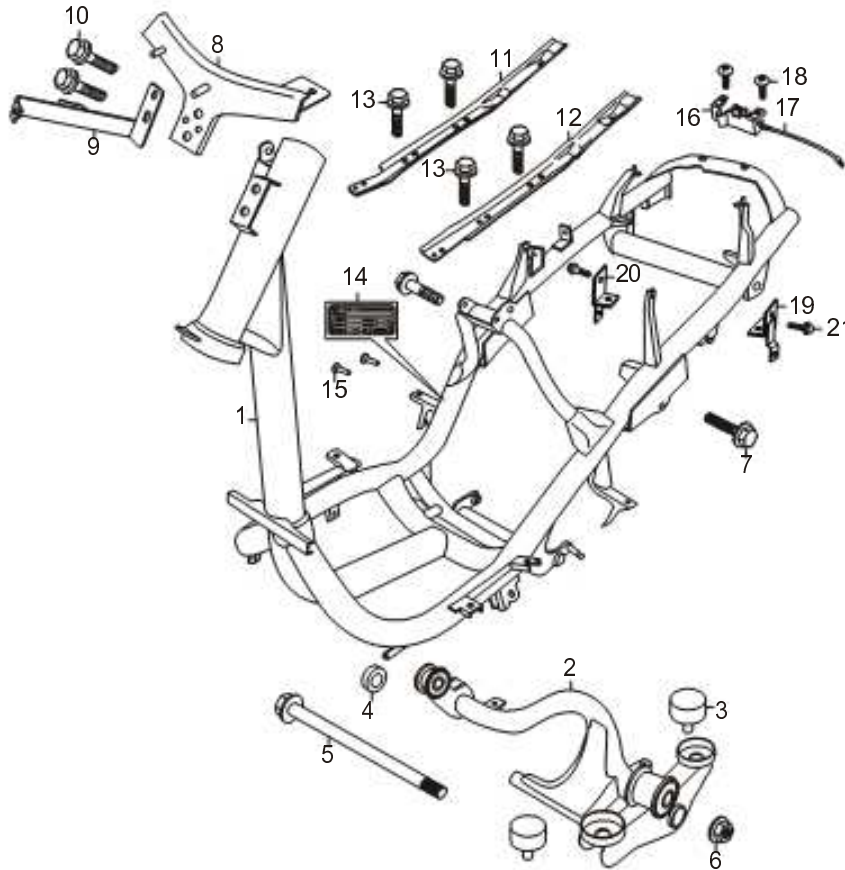
34

FIG.34

КРЫЛЬЯ

| Ref.No. | Part No. | Description | Q'ty | Remarks |
|---------|---|----------------------------|------|---------|
| 1 | <u>53111OEK8000</u> QM125T-10H.37-1 | Front fender, (FR portion) | 1 | |
| 2 | <u>53122OEK8000</u> QM125T-10H.37-2 | Front fender, (RR portion) | 1 | |
| 3 | | Bolt M6x16 | 7 | |
| 4 | | Nut clip M6 | 1 | |
| 5 | <u>58621OKX3000</u> QM110-3C.37-04 | Clamp | 1 | |
| 6 | <u>63421OEK8000</u> QM125T-10H.38-2 | Rear fender, rear wheel | 1 | |
| 7 | <u>02104Q080162</u> GB/T16674 | Flange bolt M8x16 | 1 | |
| 8 | <u>63151OEK8000</u> QM125T-10H.38-3 | Bracket, LH | 1 | |
| 9 | <u>02104Q060122</u> GB/T16674 | Flange bolt M6x12 | 1 | |
| 10 | <u>97110QEK4000</u> QM125T-10D.99.2-00 | Bracket, license plate FR | 1 | |

FIG.35



QM125T-10H

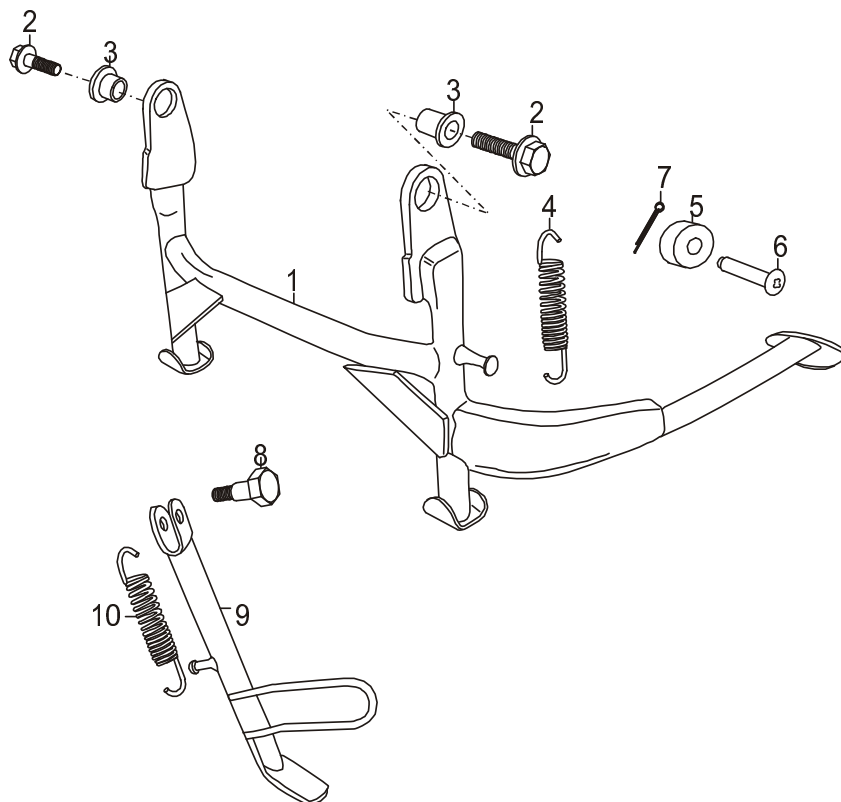
35

FIG.35

PAMA

| Ref.No. | Part No. | Description | Q'ty | Remarks |
|---------|---|---|------|---------|
| 1 | 41100QEK8000 QM125T-10H.30.1-00 | Frame weld comp | 1 | |
| 2 | 41180QEK4000 QM125T-10D.42.1-00 | Swing arm weld assy, engine mounting | 1 | |
| 3 | 41185QEAZ000 QM125T.30.2-1 | Cushion, Swing arm | 2 | |
| 4 | | Bush, engine mounting | 1 | |
| 5 | 11611QEAZ000 QM125T.30.2-4 05409Q095102 | Axle, engine mounting | 1 | |
| 6 | | Lock nut M10 | 1 | |
| 7 | 02104Q100552 GB/T16674 | Flange bolt M10x55 | 2 | |
| 8 | 41120QEK4010 QM125T-10D.30.3-00 | Bracket, front cover | 1 | |
| 9 | 41150QEK4000 QM125T-10D.30.3-00 | Joint plate, front cover | 1 | |
| 10 | 02104Q080162 GB/T16674 | Flange bolt M8x16 | 2 | |
| 11 | 41732QEK4000 QM125T-10D.30-02 | Bracket, LH, pedal | 1 | |
| 12 | 41715QEK4000 QM125T-10D.30-01 | Bracket, RH, pedal | 1 | |
| 13 | 02104Q060162 GB/T16674 | Flange bolt M6x16 | 4 | |
| 14 | 09600Q000001 | Name plate, frame | 1 | |
| 15 | 05011Q200051 GB/T827-86 | Rivet 2x5 | 2 | |
| 16 | 45710QEK4000 | Bracket, lock hook | 1 | |
| 17 | 45280QEK4000 | Cable comp, seat lock | 1 | |
| 18 | 02104Q060122 | Screw M6x12 | 2 | |
| 19 | QM125T-10H.30.3-00 | Bracket, LH, fuel tank | 1 | |
| 20 | QM125T-10H.30.4-00 | Bracket, RH, fuel tank | 1 | |
| 21 | 02104Q060122 GB/T16674 | Flange bolt M6x12 | 2 | |

FIG.36



QM125T-10H

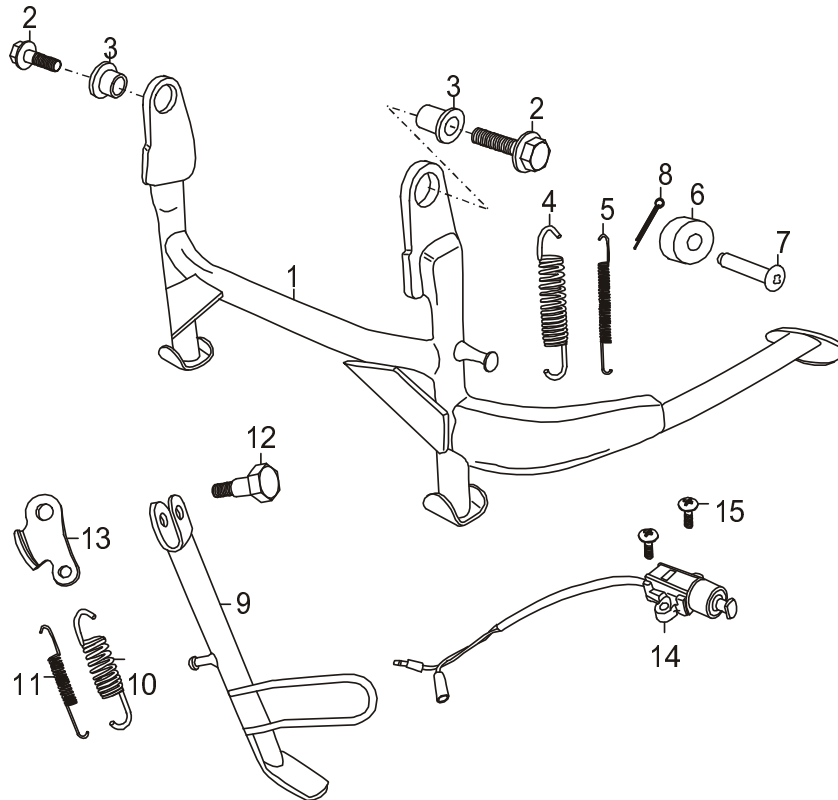
36

FIG.36

ПОДНОЖКИ

| Ref.No. | Part No. | Description | Q'ty | Remarks |
|---------|--------------------------------------|----------------------------|------|---------|
| 1 | 42110QEK4040 QM125T-10D(D)41.1-00 | Central stand comp. | 1 | |
| 2 | 02104Q100322 GB/T16674 | Flange bolt M10x32x1.25 | 2 | |
| 3 | 42221QEDZ000 QM125T-4.41-2 | Bush, axle | 2 | |
| 4 | 42234QEK4000 QM125T-10D.41-01 | Spring, central stand | 1 | |
| 5 | 42261QEA2000 | Cushion | 1 | |
| 6 | 04711Q060281 GB882-86 | Pin 6x28 | 1 | |
| 7 | 04411Q20161 GB91-86 | Cotter pin 2x16 | 1 | |
| 8 | 42333QEK4000 QM125T-10D.81-1 | Bolt, side stand M10x26 | 1 | |
| 9 | 42310QEK4000 QM125T-10D.81.1-00 | Side stand comp. | 1 | |
| 10 | 42331QEK4000 QM125T-10D.81-2 | Spring, side stand | 1 | |

FIG.36A



QM125T-10H

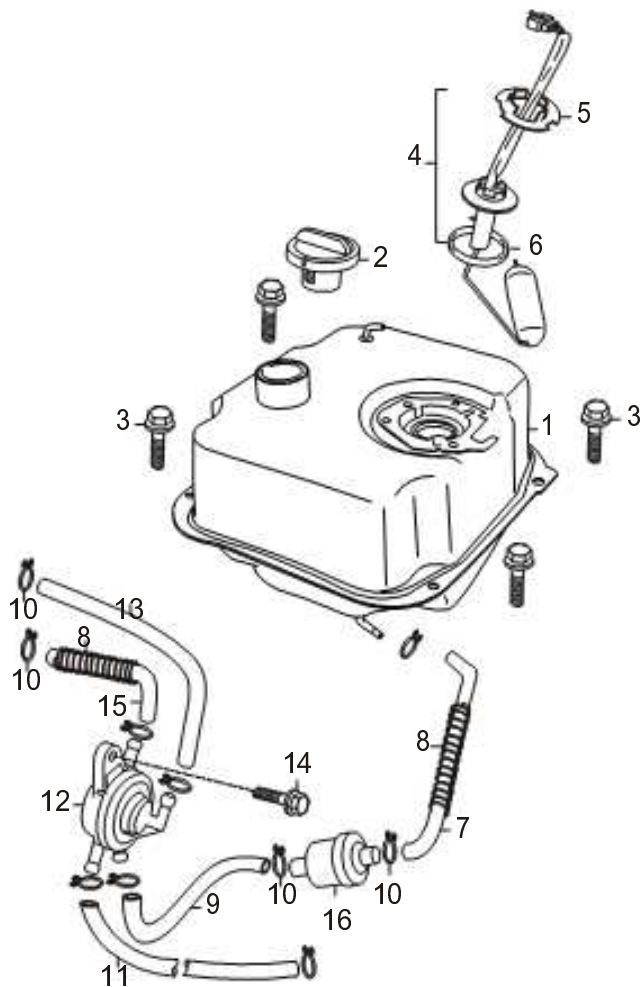
36A

FIG.36A

ПОДНОЖКИ

| Ref.No. | Part No. | Description | Q'ty | Remarks |
|---------|---|-----------------------------|------|---------|
| 1 | <u>42110QEK4040</u> QM125T-10D(D)41.1-00 | Central stand comp. | 1 | |
| 2 | <u>02104Q100322</u> GB/T16674 | Flange bolt M10x32x1.25 | 2 | |
| 3 | <u>42221QEDZ000</u> QM125T-4.41-2 | Bush, axle | 2 | |
| 4 | <u>42234QEK4020</u> QM125T-10D(B).41-01 | Spring, central stand | 1 | |
| 5 | <u>42235QEK4020</u> QM125T-10D(B).41-02 | Spring, central stand inter | 1 | |
| 6 | <u>42261QEA2000</u> | Cushion | 1 | |
| 7 | <u>04711Q060281</u> GB882-86 | Pin 6x28 | 1 | |
| 8 | <u>04411Q20161</u> GB91-86 | Cotter pin 2x16 | 1 | |
| 9 | <u>42310QEK4000</u> QM125T-10D.81.1-00 | Side stand comp. | 1 | |
| 10 | <u>QM125T-10D</u> | Outer spring, side stand, | 1 | |
| 11 | <u>QM125T-10D</u> | Inner spring, side stand, | 1 | |
| 12 | <u>42333QEK4000</u> QM125T-10D.81-1 | Bolt, side stand M10x26 | 1 | |
| 13 | <u>42356QEDZ000</u> | Spring hook | 1 | |
| 14 | <u>37802QEDZ000</u> QM125T-4.91-00 | Switch assy, engine stop | 1 | |
| 15 | <u>03411Q050181</u> GB/T818-2000 | Screw M5x18 | 2 | |

FIG.37



QM125T-10H

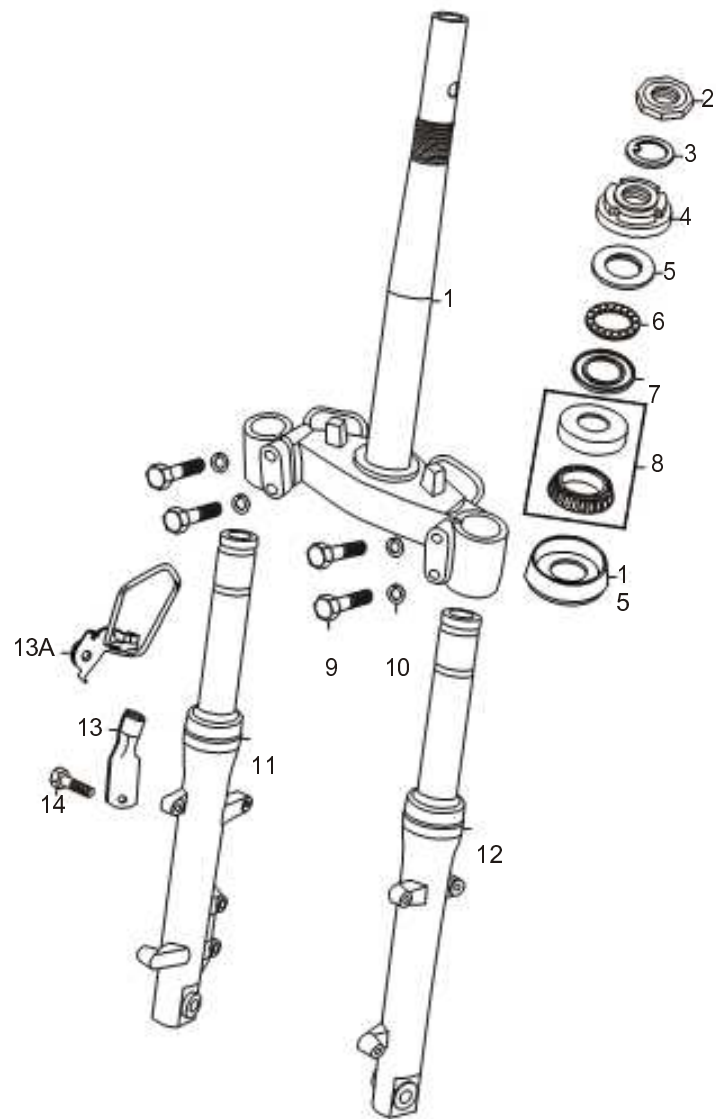
37

FIG.37

БЕНЗОБАК

| Ref.No. | Part No. | Description | Q'ty | Remarks |
|---------|------------------------------------|---------------------------|------|---------|
| 1 | 44110QEK8000 QM125T-10H.44.1-00 | Fuel tank welding assy | 1 | |
| 2 | 44200QEK4000 QM125T-10D.44.3-00 | Cap, fuel tank | 1 | |
| 3 | 02104Q060122 GB/T16674 | Flange bolt M6x12 | 4 | |
| 4 | 34801QEK8000 QM125T-10H.77.1-00 | Gauge assy, fuel | 1 | |
| 5 | 44587QDA1000 QM125T-10D.77.1-04 | tank Cap, fuel | 1 | |
| 6 | 34825QDA1000 QM125T-10D.77.1-05 | gauge Dust seal | 1 | |
| 7 | 44424QEK4000 QM125T-10D.44-03 | Fule hose, outlet | 1 | |
| 8 | AG50.44-13 | Protecting spring | 2 | |
| 9 | | Pi pe II, fuel | 1 | |
| 10 | | Clip | 10 | |
| 11 | 44425QEK4000 QM125T-10D.44-04 | Vaccum pipe, | 1 | |
| 12 | 44300QAFZ000 QM50T-7.44.2-00 | Fuel cock | 1 | |
| 13 | 44441QEK4000 QM125T-10D.44-02 | Pi pe breath | 1 | |
| 14 | 02104Q060162 GB/T16674 | Bolt M6x16 | 1 | |
| 15 | 44411QEK4000 QM125T-10D.44-01 | Fuel hose | 1 | |
| 16 | 44360QKG3000 QM100-7C.44.3-00 | Fi lter, fuel | 1 | |

FIG.38



QM125T-10H

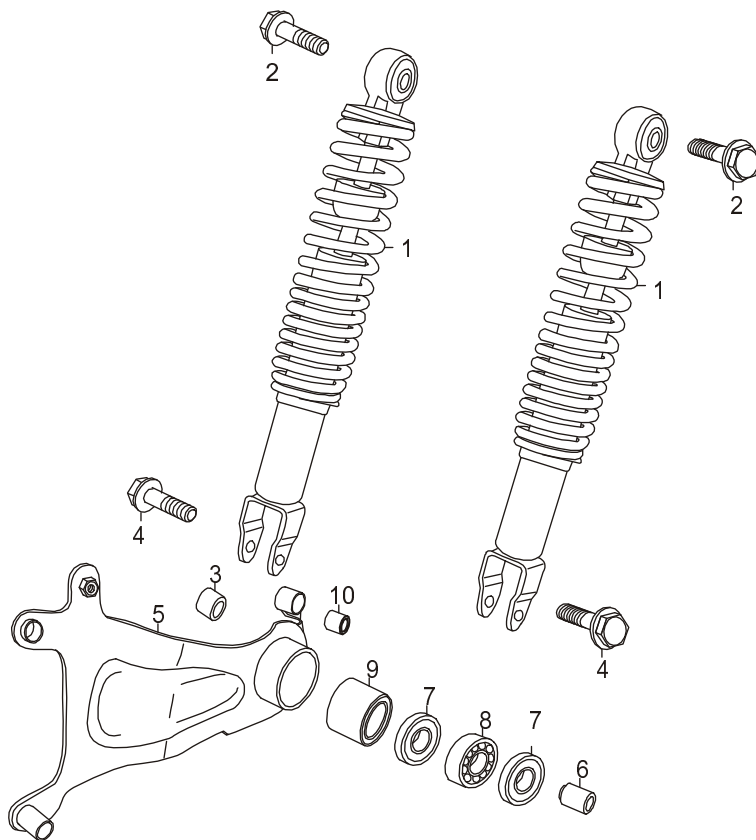
38

FIG.38

ВИЛКА ПЕРЕДНЯЯ

| Ref.No. | Part No. | Description | Q'ty | Remarks |
|---------|------------------------------------|-------------------------------------|------|---------|
| 1 | 51410QEK4000 QM125T-10D.31.1-00 | Steering stem | 1 | |
| 2 | 51631QEK4000 QM125T-10D.31-1 | Nut, steering stem | 2 | |
| 3 | 51635QEK4000 QM125T-10D.31-6 | Lock washer | 1 | |
| 4 | 51643QEK4000 QM125T-10D.31-5 | Cover, dust | 1 | |
| 5 | 51621QEK4000 QM125T-10D.31-2 | Steering ball race, upper, outer | 1 | |
| 6 | 51650QEK4000 QM125T-10D.31.2-00 | Ball bearing, upper | 1 | |
| 7 | 51611QEK4000 QM125T-10D.31-3 | Steering ball race, upper, inner | 1 | |
| 8 | 05610Q032007 GB/T297-1994 | Bearing 32007 | 1 | |
| 9 | 02104Q10435 GB/T16674-2000 | Bolt M10x43x1.25 | 4 | |
| 10 | 05421Q011102 | Spring washer | 4 | |
| 11 | 51103QEK4000 QM125T-10D.31.4-00 | Shock absorb tube RH | 1 | |
| 12 | 51104QEK4000 QM125T-10D.31.5-00 | Shock absorb tube, LH | 1 | |
| 13 | 51455QED4000 QM125T-4D.31-01 | Clamp | 1 | |
| 13A | 59470QED2000 QM125T-4B.31.7-00 | Clip, tube | 1 | |
| 14 | 02104Q060161 GB/T16674 | Flange bolt M6x16 | 1 | |
| 15 | 51645QEK4000 QM125T-10D.31-4 | Dust cover | 1 | |

FIG.39



QM125T-10H

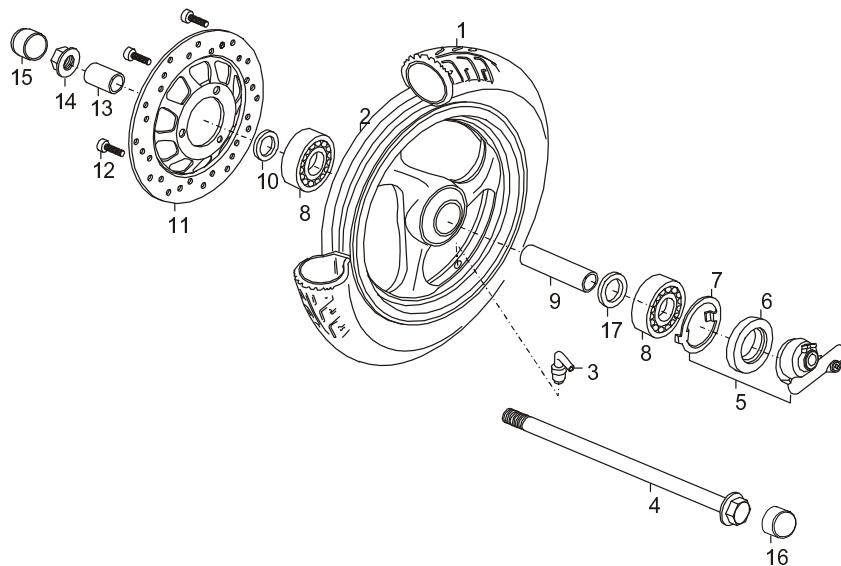
39

FIG.39

АММОТИЗАТОРЫ ЗАДНИЕ

| Ref No | Part No | Description | Q'ty | Remarks |
|--------|--|---------------------------|------|---------|
| 1 | <u>62101OEK4040</u> QM125T-10D(D).35.1-00 | Rear shock absorber comp. | 2 | |
| 2 | <u>02104Q10435</u> GB/T16674-2000 | Flange bolt M10x43x1.25 | 2 | |
| 3 | <u>09301Q170002</u> QM125T-10D.35.2-2 | Spacer I | 1 | |
| 4 | <u>02104Q080325</u> GB/T16674-2000 | Flange bolt M8x32 | 2 | |
| 5 | <u>62320OEK4000</u> QM125T-10D.35.2.1-00 | Arm, rear suspension | 1 | |
| 6 | <u>09180Q170008</u> QM125T-10D.35.2-1 | Spacer II | 1 | |
| 7 | 09284Q200001 | Oil seal | 2 | |
| 8 | 05510Q016003 | Bearing 6003 | 1 | |
| 9 | <u>62340OEDZ000</u> QM125T-4.35.2.2-00 | Bush I | 1 | |
| 10 | <u>09319Q080001</u> QM125T-4.35.2.1-00 | Bush II | 1 | |

FIG.40



40

FIG.40

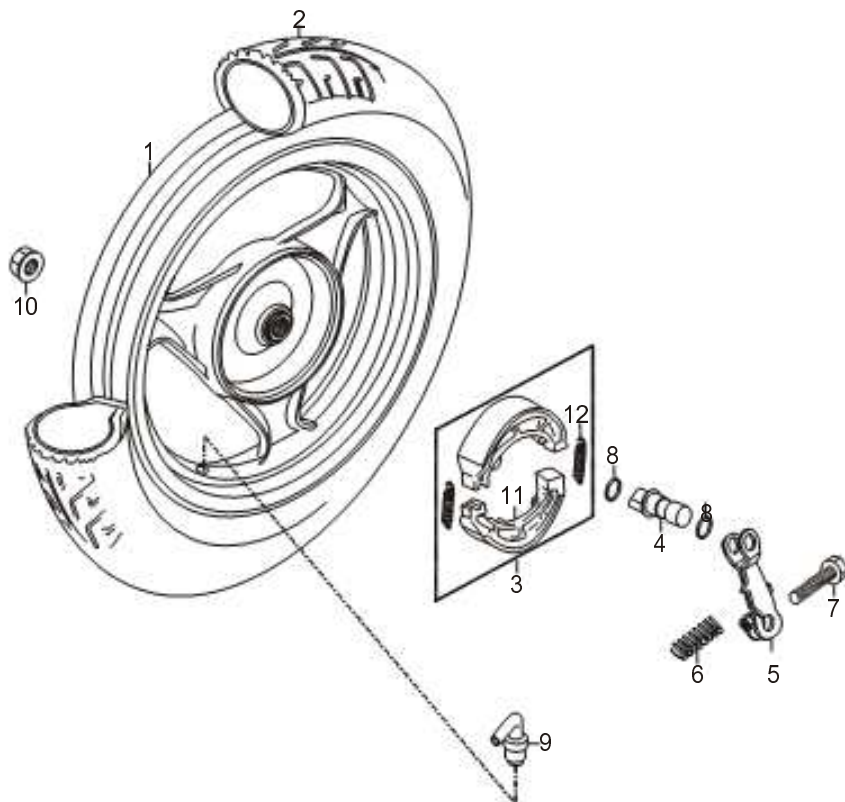
ДИСК ПЕРЕДНИЙ

| Ref.No. | Part No. | Description | Q'ty | Remarks |
|---------|---|-----------------------------|--------|---------|
| 1 | <u>55110QEK4000</u> QM125T-10D.33-5 | Tyre, FR130/60-13 | 1 | |
| 2 | <u>54111QEK4000</u> QM125T-10D.33-1 | Hub, front wheel | 1 | |
| 3 | 55220QEK4000 | Inflating valve assy | 1 | |
| 4 | <u>54711QEK4000</u> QM125T-10D.33-3 | Axle, front wheel | 1 | |
| 5 | <u>54600QEK4000</u> QM125T-10D.33.3-00 | Gear box, speedometer | 1 | |
| 6 | <u>54646QEK4000</u> QM125T-10D.33-2 | Oil seal, front wheel | 1 | |
| 7 | 54661QEK4000 | Driving slice, gear box | 1 | |
| 8 | <u>05530Q06030J</u> GB/T276-94 | Bearing 6201Z | 2 | |
| 9 | 54730QEK4000 | Spacer, front wheel bearing | 1 | |
| 10 | | Seal | 1 | |
| 11 | 59211QEK4000 | Disk, front brake | 1 | |
| 12 | 59221QEK4000 | Bolt M8x25 | 5 | |
| 13 | <u>54741QEK4000</u> QM125T-10D.33-4 | Bush, front wheel | 1 1 | |
| 14 | <u>05409Q095125</u> GB6187.2-0000 | Rubber cap 12 | 1 | |
| 15 | | Rubber cap 15 | 1 | |
| 16 | | Support, inner spacer | 1 | |
| 17 | | | | |



QM125T-10H

FIG.41



QM125T-10H

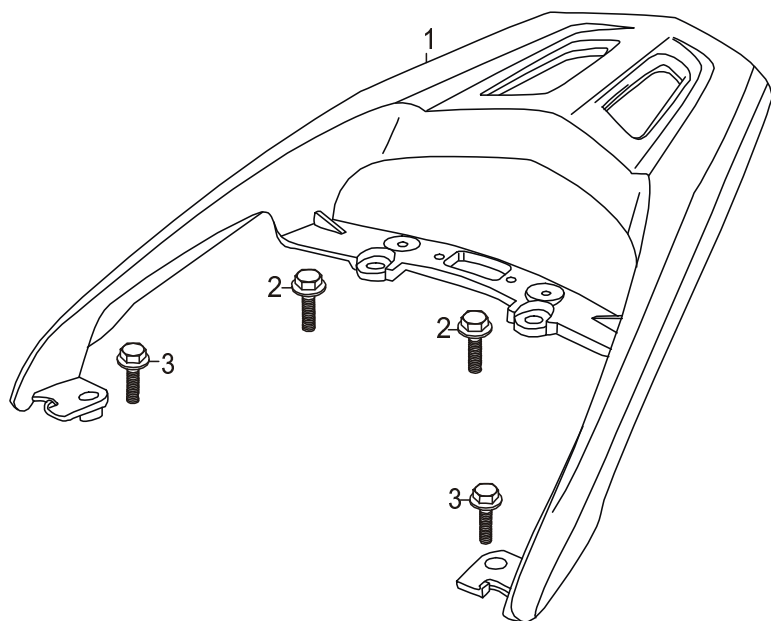
41

FIG.41

ДИСК ЗАДНИЙ

| Ref.No. | Part No. | Description | Q'ty | Remarks |
|---------|---|------------------------------------|------|---------|
| 1 | <u>64150QEK4000</u> QM125T-10D.34.1-00 | Hub, rear wheel | 1 | |
| 2 | <u>55110QEK4000</u> QM125T-10D.33-5 | Tyre, rear 130/60-13 | 1 | |
| 3 | <u>64401QEK4000</u> QM125T-10D.34.2-00 | Brake shoe, rear | 1 | |
| 4 | <u>64441QEK4000</u> QM125T-10D.34-3 | Cam, brake | 1 | |
| 5 | <u>64451QEAZ000</u> QM125T.34.1-00 | Lever, rear brake | 1 | |
| 6 | <u>64461QEAZ000</u> QM125T.34-3 | Spring, rear brake | 1 | |
| 7 | <u>01301Q060321</u> GB/T5780-2000 | Bolt M6x32 | 1 | |
| 8 | 09280Q110001 | O-ring | 2 | |
| 9 | 55220QEK4000 | Inflating valve assy, wheel rim | 1 | |
| 10 | 05409Q095162 | Nut M16 | 1 | |
| 11 | | Brake shoe | 2 | |
| 12 | | Spring | 2 | |

FIG.42



42

FIG.42

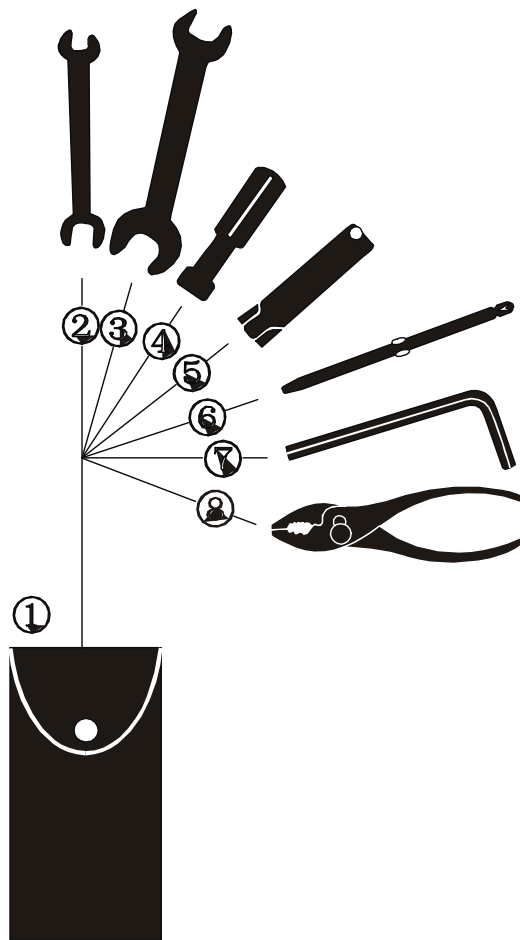
БАГАЖНИК

| Ref.No. | Part No. | Description | Q'ty | Remarks |
|---------|---|-----------------|------|---------|
| 1 | 463110EK8000 QM125T-10H.40-01 | Luggage carrier | 1 | |
| 2 | 02104Q080205 | Bolt M8x20 | 2 | |
| 3 | 02104Q080355 | Bolt M8x35 | 2 | |



QM125T-10H

FIG.43



QM125T-10H

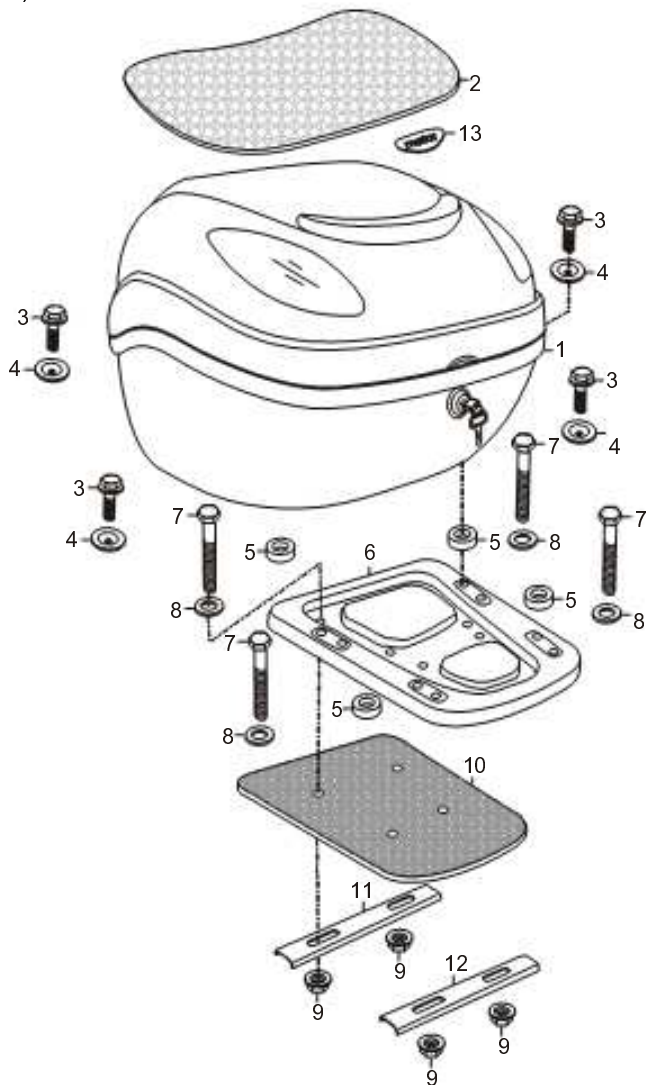
43

FIG.43

ИНСТРУМЕНТ

| Ref.No. | Part No. | Description | Q'ty | Remarks |
|---------|-------------------------------------|-----------------------------|------|---------|
| 1 | <u>098110000001</u> QS90.80-1 | Bag, tool | 1 | |
| 2 | <u>098130000003</u> GS125.80.2-1 | Spanner, smaller | 1 | |
| 3 | <u>098130000002</u> GS125.80.2-2 | Spanner, bigger | 1 | |
| 4 | <u>96520QEDZ000</u> QM125T-4 | Handlebar, screwdriver | 1 | |
| 5 | 96511QEA2000 | Spark plug wrench | 1 | |
| 6 | <u>098140000001</u> GS125.80.2-6 | Screwdriver | 1 | |
| 7 | <u>098160000003</u> QS90.80-4 | Spark plug wrench handlebar | 1 | |
| 8 | <u>098120000001</u> QS90.80.2-00 | Pliers | 1 | |

FIG44
(Option)



QM125T-10H

44

FIG44

КЕЙС

| Ref.No. | Part No. | Description | Q'ty | Remarks |
|---------|---|-----------------------------------|------|---------|
| 1 | <u>93110QEK8000</u> QM125T-10H.98.1-00 | Rear luggage box assy | 1 | ; |
| 2 | <u>93131QEK8000</u> QM125T-10H.98-04 | Cushion, luggage box | 1 | |
| 3 | <u>02104Q060301</u> GB/T16674 | Bolt M6x16 | 4 | |
| 4 | <u>93231QEA1000</u> QM125T-A.98-2 | Washer | 4 | |
| 5 | | Gasket 6x18x3 | 4 | |
| 6 | <u>93230QEK8000</u> QM125T-10H.98.2-00 | Reinforce plate | 1 | |
| 7 | <u>01301Q060401</u> GB/T5780-2000 | Bolt M6x40 | 4 | |
| 8 | <u>05420Q021061</u> GB97.1-85 | Washer 6 | 4 | |
| 9 | <u>05404Q011062</u> GB/T6177.1 -2000 | Nut M6 | 4 | |
| 10 | <u>93241QEK8000</u> QM125T-10H.98-03 | Rubber | 1 | |
| 11 | <u>93211QEK8000</u> QM125T-10H.98-01 | Mounting plate, luggage box FR | 1 | |
| 12 | <u>93221QEK8000</u> QM125T-10H.98-02 | Mounting plate, luggage box RR | 1 | |
| 13 | | Applique, rear luggage box | 1 | |