



КАТАЛОГ ЗАПЧАСТЕЙ

DIAMOND 125

QM125-TG

www.SkyBike.com.ua

Внимание!

Для заказа запчастей необходимо в каталоге найти страницу с изображением интересующей вас детали. В левом верхнем углу написан код рисунка. Номер детали указан возле изображения детали. Например для заказа прокладки глушителя, для модели FORTUNE 50, вы пишете в заявке – «FIG.13 – 8 Прокладка глушителя (или название на английском из каталога)» и необходимое количество. Если группа деталей объединена скобкой, это значит, что детали продаются в комплекте.

После того, как вы определились с выбором детали, вы можете сделать заказ, уточнить наличие на складе, цену, позвонив по телефонам указанным на [сайте](#) или отправьте запрос на наш e-mail: repair@skybike.com.ua

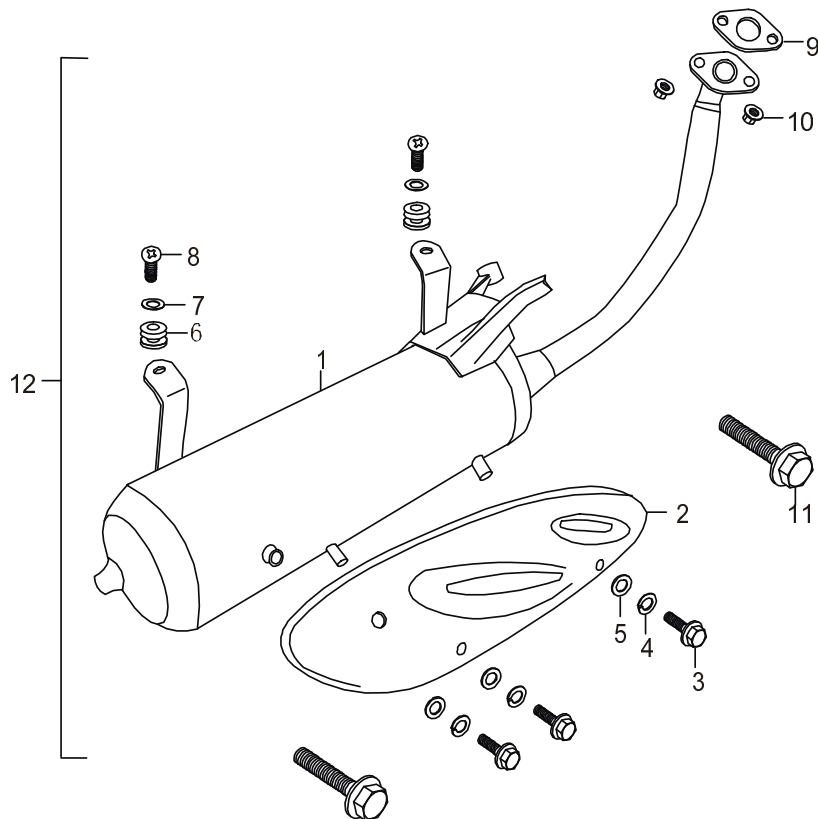
КАТАЛОГ ЗАПЧАСТЕЙ

. No.		Стр
FIG.18	ГЛУШИТЕЛЬ	1
FIG.18A	ГЛУШИТЕЛЬ	2
FIG.18B	ГЛУШИТЕЛЬ	3
FIG.19	ВОЗДУШНЫЙ ФИЛЬТР	4
FIG.19A	ВОЗДУШНЫЙ ФИЛЬТР	5
FIG.20	РАМА	6
FIG.21	ПРОВОДКА	7
FIG.22	ЭЛЕКТРИЧЕСКИЕ ЧАСТИ	8
FIG.23	СПИДОМЕТР	9
FIG.24	ФАРА	10
FIG.25	УКАЗАТЕЛИ ПОВОРОТОВ	11
FIG.26	ФОНАРЬ ЗАДНИЙ	12
FIG.27	РУЛЬ	13
FIG.28	ПЕРЕКЛЮЧАТЕЛИ РУЛЕВЫЕ	14
FIG.29	ПЕРЕДНИЙ ТОРМОЗ	16
FIG.30	ПЕРЕДНИЙ ПЛАСТИК	17
FIG.31	ВНУТРЕННИЙ ПЛАСТИК	18
FIG.32	БОКОВОЙ ПЛАСТИК	19
FIG.33	СИДУШКА	20
FIG.34	КРЫЛЮ ЗАДНЕЕ	21
FIG.35	ПОДНОЖКИ	22
FIG.36	БЕНЗОБАК	23
FIG.37	ВИЛКА ПЕРЕДНЯЯ	24
FIG.38	АММОТИЗАТОР ЗАДНИЙ	25

КАТАЛОГ ЗАПЧАСТЕЙ

. No.		Стр
FIG.39	БАГАЖНИК ЗАДНИЙ	26
FIG.40	ДИСК ПЕРЕДНИЙ	27
FIG.41	ДИСК ЗАДНИЙ	28
FIG.42	ИНСТРУМЕНТ	29
FIG.43	ПЕДАЛЬ ТОРМОЗА	30

FIG.18



QM125T-G

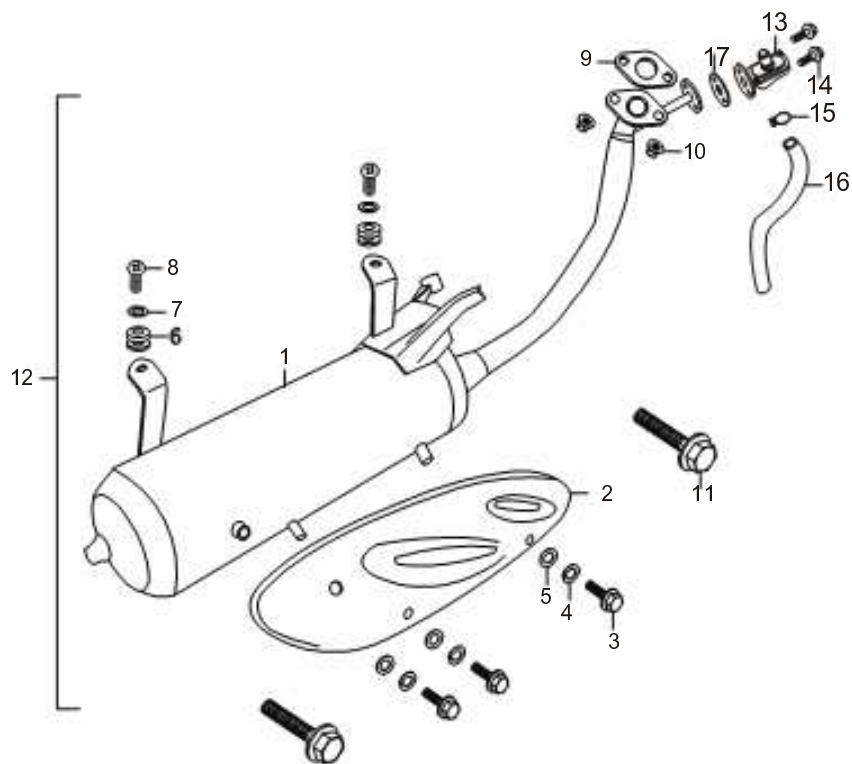
18

FIG.18

ГЛУШИТЕЛЬ

Ref.No.	Part No.	Description	Q'ty	Remarks
1	<u>14301OEA2000</u> QM125T-B.09.1-00	Body, muffler	1	
2	<u>14781OEDK000</u> T151QML09a-1	Cover, muffler	1	
3		Bolt	3	
4		Spring washer 6	3	
5		Washer 6-100HV	3	
6		Cushion	2	
7		Washer	2	
8	<u>03411Q060201</u>	Screw M6x20	2	
9	<u>14181OEA2000</u> QM125T-B.09.1-01	Gasket, exhaust	1	
10	<u>14183OEA2000</u> QM125T-B.09.2-01	Nut M6	2	
11	<u>02104Q080502</u> GB/T16674	Bolt M8x50	2	
12	<u>14300OEA2000</u> QM125T-B.09-00	Muffler assy	1	

FIG.18A
(OPTION)



18A

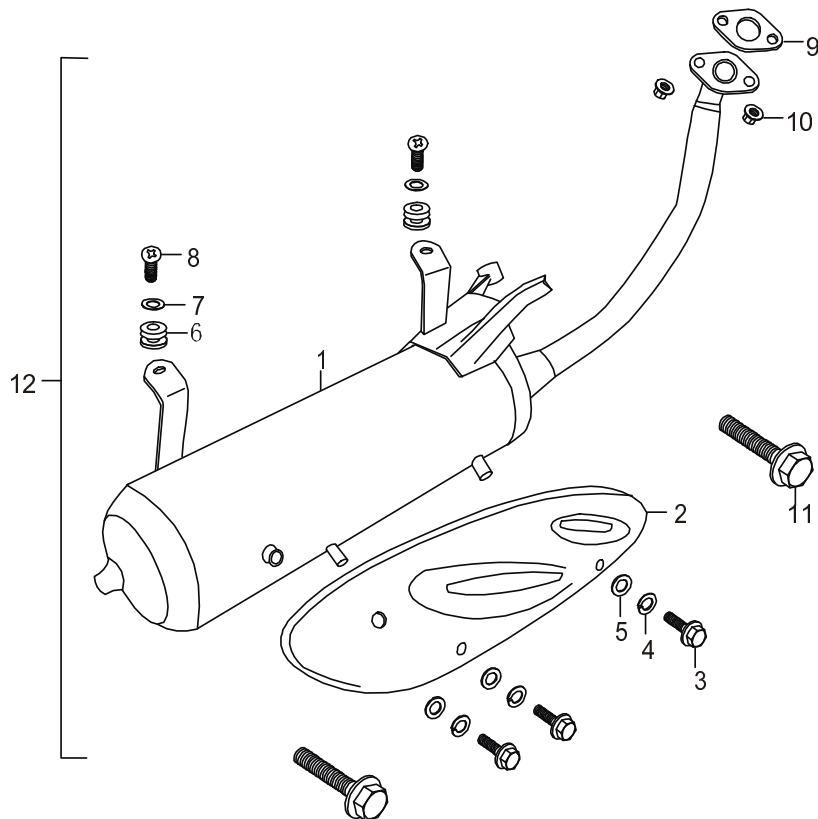
FIG. 18A

ГЛУШИТЕЛЬ

Ref.No.	Part No.	Description	Q'ty	Remarks
1	14301QEA7010 QM125T-G(I).09.1-00	Body, muffler	1	
2		Cover,muffler	1	
3	02104Q060125	Bolt M6x12	3	
4		Spring washer 6	3	
5		Washer 6-100HV	3	
6		Cushion	2	
7		Washer	2	
8		Screw M6x16	2	
9	14181QEA2000	Gasket, exhaust	1	
10	14183QEA2000 QM125T-B.09.2-01	Nut M6	2	
11	02104Q080502 GB/T16674	Bolt M8x50	2	
12	14300QEA7010 QM125T-G(I).09-00	Muffler assy	1	
13	14810QAGZ030	Valve, secondly supplement air	1	
14	02104Q060121	Bolt M6x12	2	
15	09401Q163004	Clip, air hose	2	
16	14831QAGZ030	Hose, valve	1	
17	14841QAGZ030	Gasket, valve	1	

QM125T-G

FIG.18B
(OPTION)



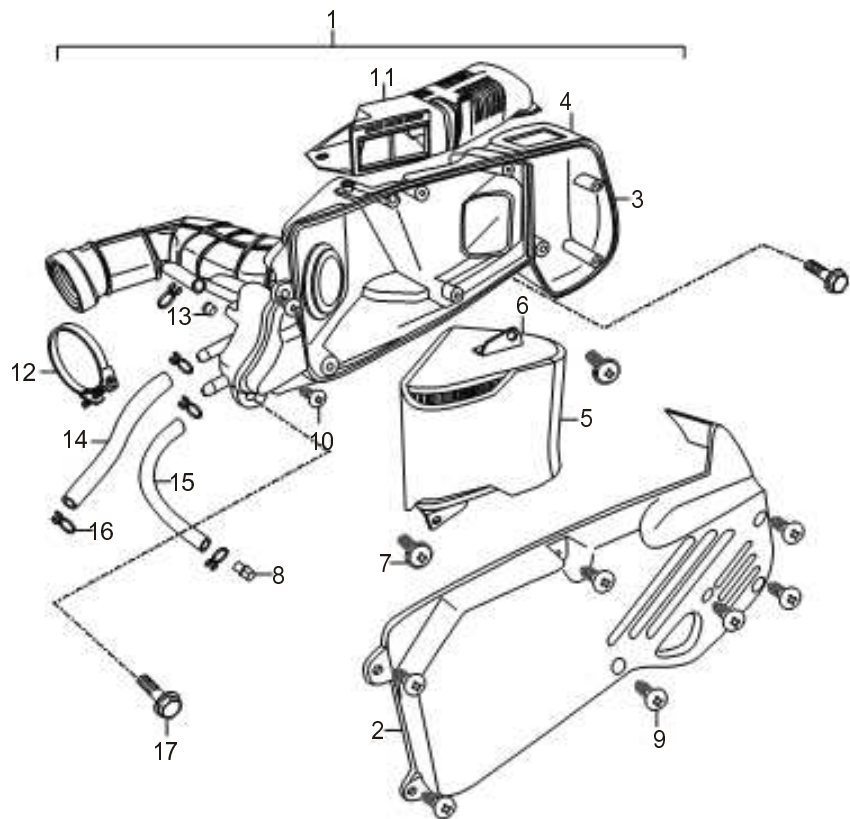
18B
FIG.18B

ГЛУШИТЕЛЬ

Ref.No.	Part No.	Description	Q'ty	Remarks
1	<u>14301QEA7020</u> QM125T-G(II).09.1-00	Body, muffler	1	
2		Cover, muffler	1	
3		Bolt	3	
4		Spring washer 6	3	
5		Washer 6-100HV	3	
6		Cushion	2	
7		Washer	2	
8		Screw M6x16	2	
9	<u>14181QEDZ000</u> QM125T-B.09.1-01	Gasket, exhaust	1	
10		Nut M8	2	
11	<u>02104Q080502</u> GB/T16674	Bolt M8x50	2	
12	<u>14300QEA7020</u> QM125T-G(II).09-00	Muffler assy	1	

QM125T-G

FIG.19



QM125T-G

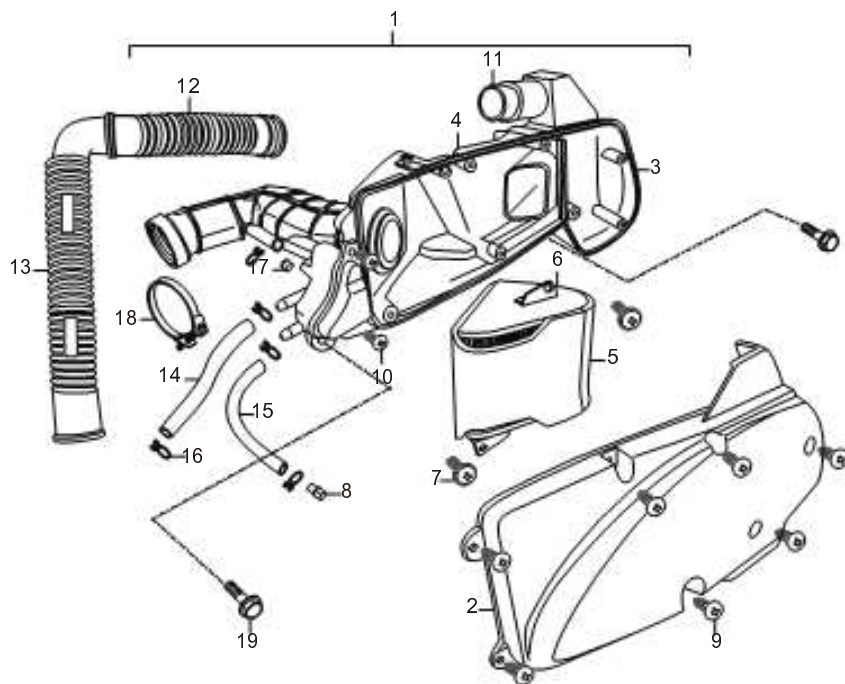
19

FIG.19

ВОЗДУШНЫЙ ФИЛЬТР

Ref.No.	Part No.	Description	Q'ty	Remarks
1	13701QE AF000	Air cleaner assy	1	
2	13741QAEF000 QM125T-R.11-1	Cap assy, air cleaner	1	
3	13746QAEF000 QM125T-R.11-11	Gasket, air cleaner cap	1	
4	13721QEAF000 QM125T-R.11-2	Case assy ,air cleaner	1	
5	13786QEAF000	Filter, first	1	
6	13780QEAF000 QM125T-R.11.1-00	Filter assy	1	
7	03411Q150104 GB/T9074.1-2002	Screw M5x10	2	
8	13999QEAF000 QM125T-R.11-8	Plug	1	
9	04010Q051604 GB/T845-85	Screw ST4.8x16	7	
10	04010Q031404 GB/T845-85	Screw ST3.8x14	2	
11	13891QEAF000	Hose, intaking	1	
12	13820QEAF000 QM125T-R.11.2-00	Clamp	1	
13	13877QEAF000 QM125T-R.11-15	Rubber plug	1	
14	138881QEAF000 QM125T-R.11-4	Air pipe	1	
15	13878QEAF000 QM125T-R.11-14	Pipe comp, drain	1	
16	09401Q104002	Clip, connection pipe with carburetor	6	
17	01122Q060352 GB/T9074.12-1988	Bolt M6x35	2	

FIG.19A
(OPTION)



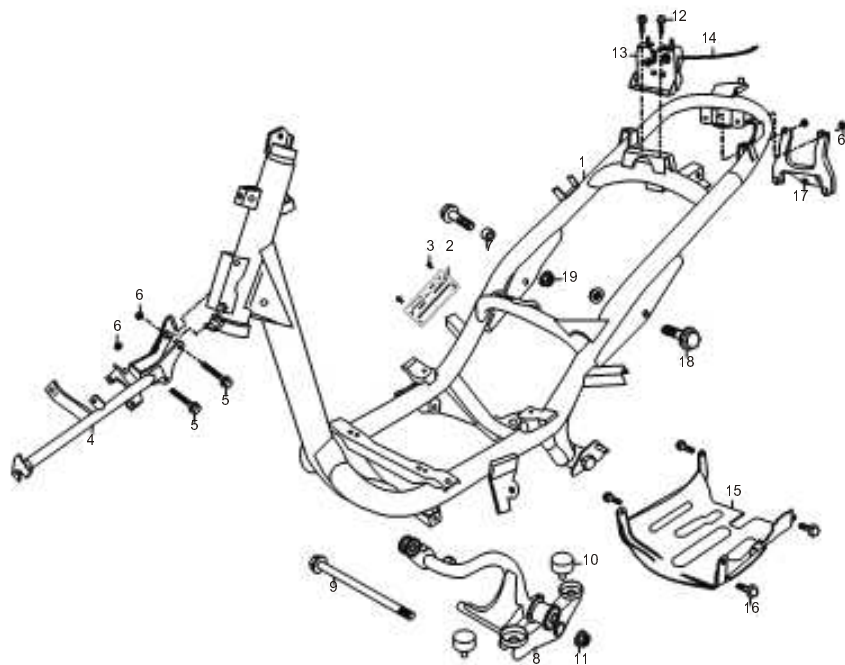
QM125T-G

19A
FIG.19A

ВОЗДУШНЫЙ ФИЛЬТР

Ref.No.	Part No.	Description	Q'ty	Remarks
1	13701QEA7020 QM125T-G(ID).11-00	Air cleaner assy	1	
2		Cap assy, air cleaner	1	
3	13746QAEF000 QM125T-R.11-11	Gasket, air cleaner cap	1	
4		Case assy, air cleaner	1	
5	13786QEA000	Filter, first	1	
6	13780QEA000 QM125T-R.11.1-00	Filter assy	1	
7	03411Q150104 GB/T9074.1-2002	Screw M5x10	2	
8	13999QEA000 QM125T-R.11-8	Plug	1	
9	04010Q051604 GB/T845-85	Screw ST4.8x16	7	
10	04010Q031404 GB/T845-85	Screw ST3.8x14	2	
11		Connecting pipe, intake	1	
12		Hose I, intake	1	
13		Hose II, intake	1	
14	138881QEA000 QM125T-R.11-4	Air pipe	1	
15	13878QEA000 QM125T-R.11-14	Pipe comp, drain	1	
16	09401Q104002	Clip, air pipe	6	
17		Hose, joint	1	
18	13820QEA000 QM125T-R.11.2-00	Clamp, connection pipe with carburetor	1	
19	01122Q060352 GB/T9074.12-1988	Bolt M6x35	2	

FIG.20



QM125T-G

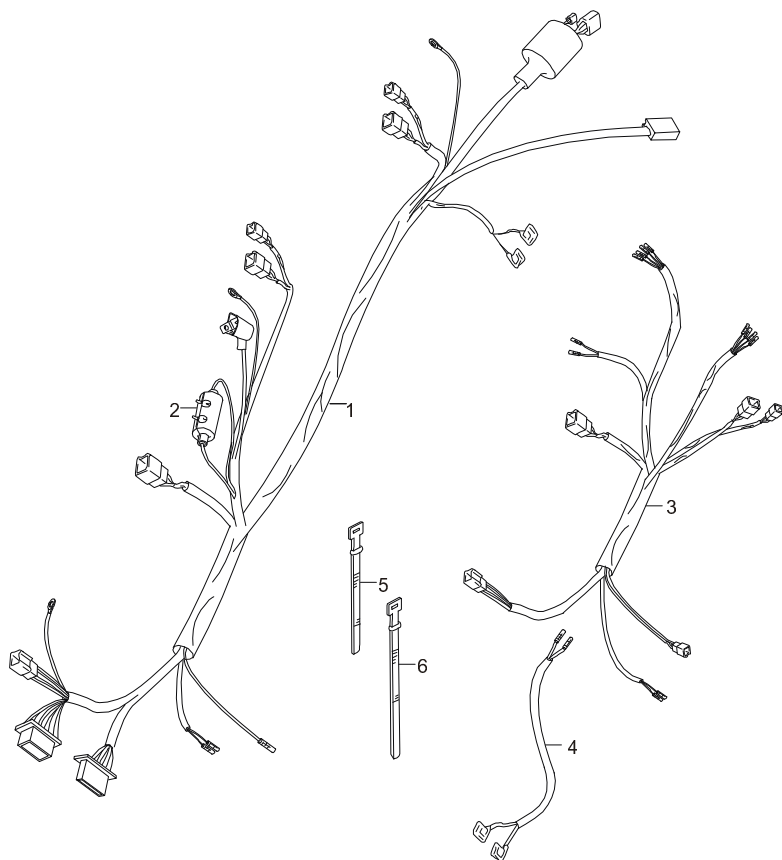
20

FIG.20

PAMA

Ref.No.	Part No.	Description	Q'ty	Remarks
1	41100QED7000 QM125T-G.30.1-00	Frame comp	1	
2	09600Q000001	Name plate, frame	1	
3	05011Q220051 GB867-86	Rivet 2x5	2	
4	41150QEA7000	Bracket, front frame	1	
5	QM125T-G.30.2-00 02104Q060501 GB/T16674	cover Flange bolt M6x50	2	
6	05404Q012062 GB6177.1-2000	Flange nut M6	4	
7		Spacer	1	
8	41101QEA1000 QM125T-A.30.2-00	Swing bracket set, engine	1	
9	41188QEA2000 QM125T-B.30-2	Flange bolt, engine	1	
10	41185QEDZ000 QM125T-4.30-1	Cushion, swing bracket	2	
11	05404Q012105 GB6177.1-2000	Flange nut M10	3	
12	02104Q060121 GB/T16674	Flange bolt M6x12	2	
13	45710QEA1000 QM125T-A.30-04	Lock set, seat	1	
14	45280QEA1000 QM125T-A.65-01	Cable, seat lock	1	
15	48127QED7000 QM125T-G.46-1	Lower cover frame	1	
16	02104Q060162 GB/T16674	Flange bolt M6x16	4	
17	63120QEA1000 QM125T-A.30.4-00	Bracket, rear fender	1	
18	02105Q100552 GB/T16674	Flange bolt M10x55x1.25	2	
19	05409Q091105 GB6187.2-0000	Flange nut M10x1.25	2	

FIG.21



QM125T-G

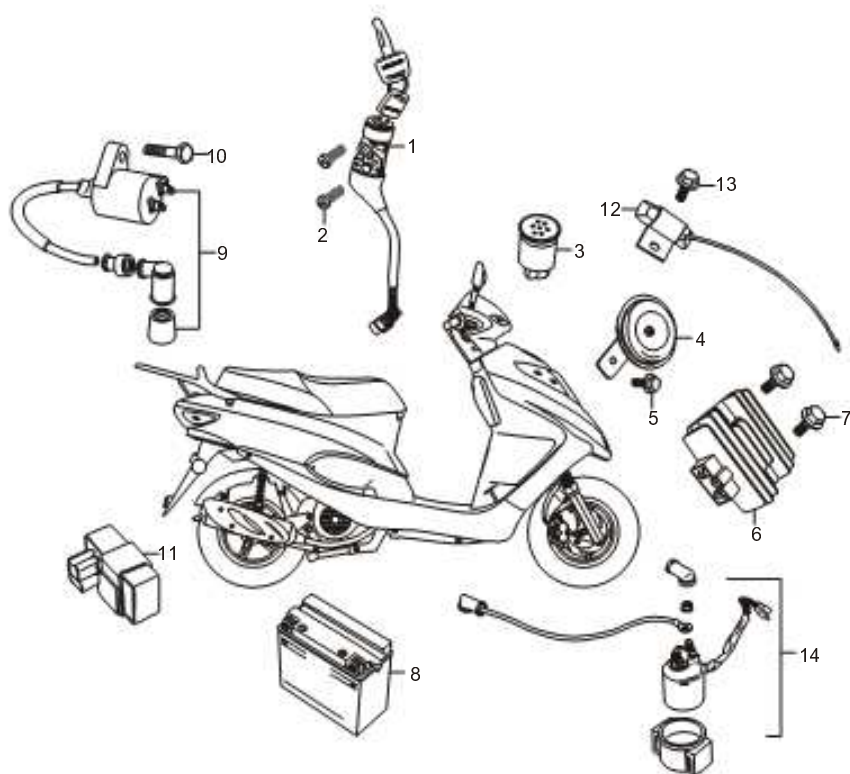
21

FIG.21

ПРОВОДКА

Ref.No.	Part No.	Description	Q'ty	Remarks
1	<u>36610QEA7000</u> QM125T-G.67.1-00	Main harness, wiring	1	
2	<u>36700QEA7000</u> QM125T-G.75-00	Fuse	1	
3	<u>36620QEA7000</u> QM125T-G.67.2-00	Wire, meter	1	
4	36630QEA7000	Wire, connecting	1	
5	09407Q204001	Clamp 7x200	1	
6	09407Q254002	Clamp 7x250	5	

FIG.22



22

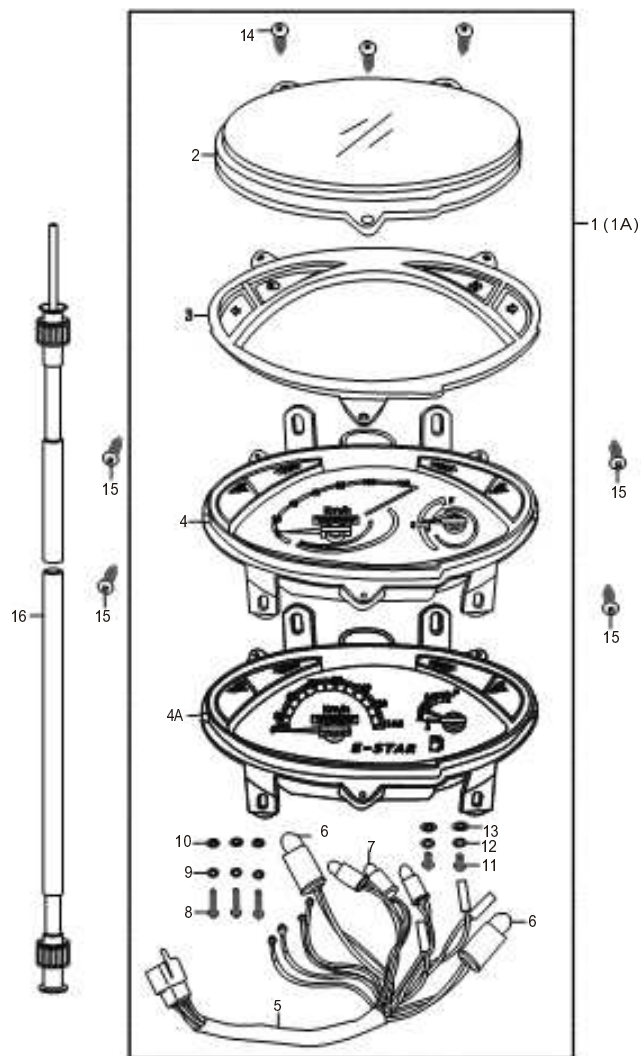
FIG.22

ЭЛЕКТРИЧЕСКИЕ ЧАСТИ

Ref.No.	Part No.	Description	Q'ty	Remarks
1	<u>37101OEA1000</u> QM125T-A.65.1-00	Switch assy, ignition	1	
2	<u>03421O060101</u> GB/T819.1-2000	Screw M6x10	2	
3	<u>38601OEA7000</u> QM125T-G.72-00	Relay, turn signal	1	
4	<u>38501QAA2000</u> QM50QT-B.63-00	Horn assy	1	
5	<u>02104Q060122</u> GB/T16674	Flange bolt M6x12	1	
6	<u>32801QEK4000</u> QM125T-10D.71-00	Regulator, comp	1	
7	<u>01301Q060301</u> GB/5780-2000	Flange bolt M6x12	2	
8	<u>33601QDA1000</u> QM100T-A.60-00	Battery assy	1	
9	T151QML07-02	Ignition coil	1	
10	<u>02104Q060162</u> GB/T16674	Flange bolt M6x16	2	
11	<u>32901OEDZ000</u> T151QML07-03-00	CDI unit	1	
12	<u>36501QEJD000</u> QM125T-9N	Resistor	1	
13	<u>02104Q060122</u> GB/T16674.1-2004	Bolt M6x12	1	
14	<u>31800QEA2000</u> QM125T-B.73-00	Relay, starting motor assy	1	

QM125T-G

FIG.23



QM125T-G

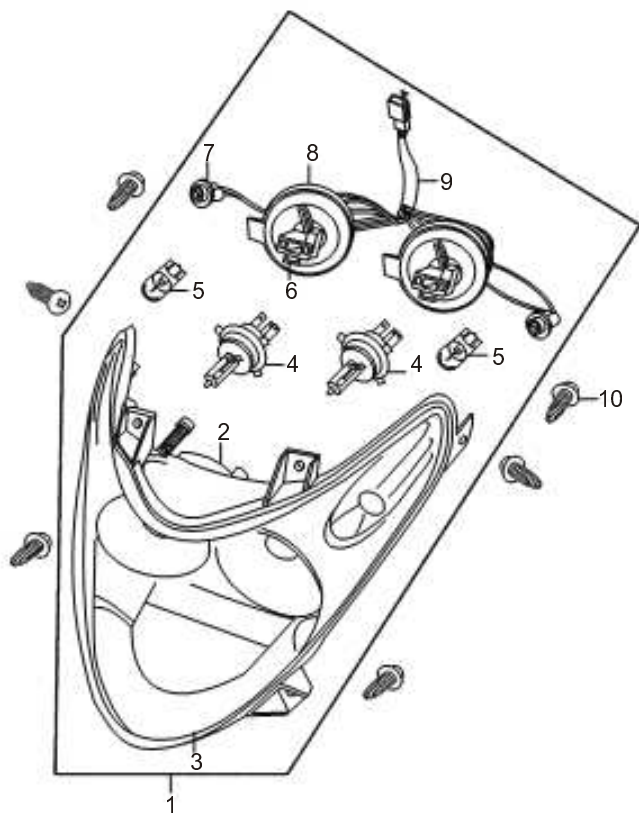
23

FIG.23

СПИДОМЕТР

Ref.No	Part No.	Description	Q'ty	Remarks
1	<u>34102QEA7000</u> QM125T-G.64-00	Speedometer assy	1	
1A	<u>34102QEA7020</u> QM125T-G(II).64-00	Speedometer assy	1	
2		Upper case	1	
3		Lens	1	
4		Lower case	1	
4A		Lower case	1	
5		Wiring harness, speedometer	1	
6	<u>36311QEA1000</u>	Bulb 12V2W	3	
7	07112Q010101	Bulb 12V2W	2	
8	<u>03411Q030404</u>	Screw M3x40	3	
9	05421Q011034	Spring washer 3	3	
10		Washer3	3	
11	03411Q040104	Screw M4x10	3	
12	05421Q011034	Spring washer 4	3	
13		Washer 4	3	
14	<u>04010Q031404</u> GB/T845-85	Screw ST3.5x14	3	
15	<u>04010Q041603</u> GB/T845	Screw ST4.2x16	4	
16	<u>34910QED4000</u> QM125T-4D.64.2-00	Cable assy, speedometer	1	

FIG.24



24

FIG.24

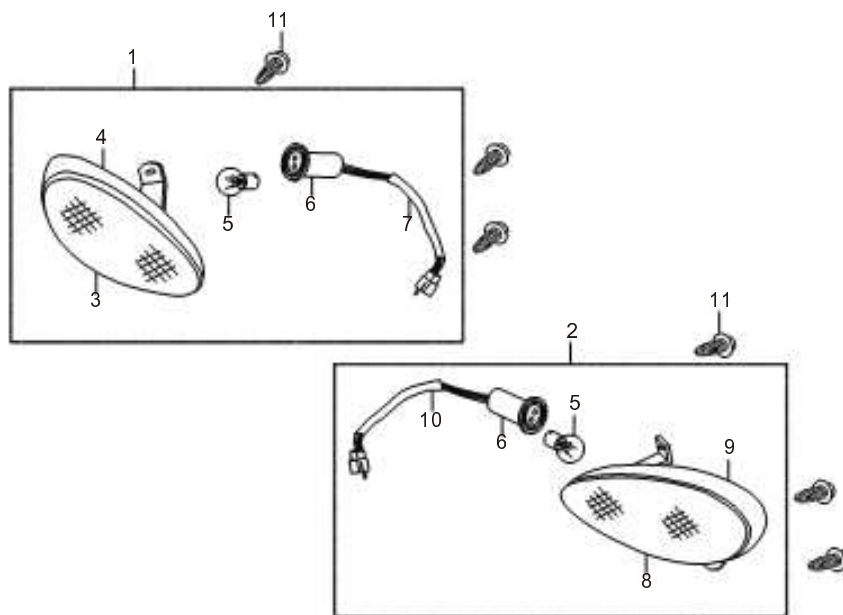
ΦAPA

Ref.No.	Part No.	Description	Q'ty	Remarks
1	<u>35101OEA7000</u> QM125T-G.62.1-00	Headlamp assy	1	
2		Hood, headlamp	1	
3		Lens, head lamp	1	
4	07110Q003121	Bulb HS1 12V35W/35W	2	
5	07110Q011121	Bulb, position W5W 12V5W	2	
6		Socket assy, Headlamp	1	
7		Socket assy, position blub	1	
8		Boot, headlamp cable	1	
9		Wire assy, light	1	
10	<u>04010Q041602</u> GB/T845-85	Screw ST4.2x16	6	



QM125T-G

FIG.25



QM125T-G

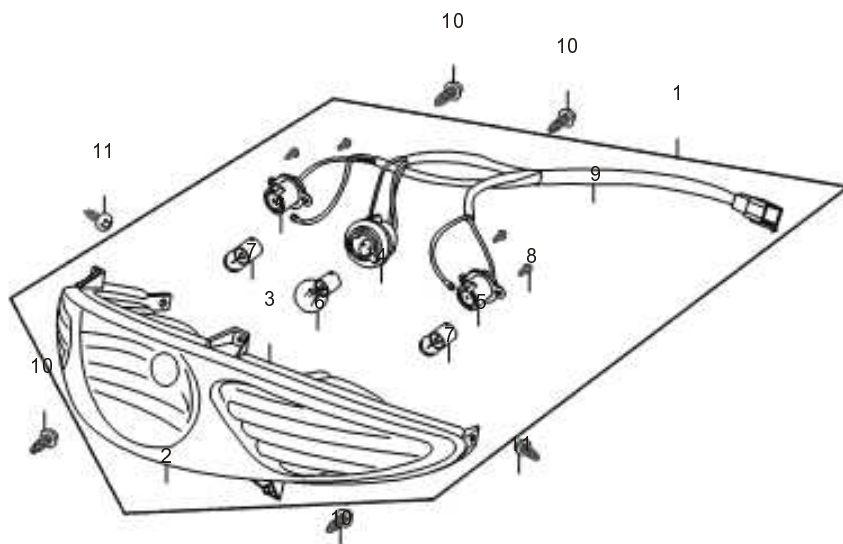
25

FIG.25

УКАЗАТЕЛИ ПОВОРОТОВ

Ref.No.	Part No.	Description	Q'ty	Remarks
1	35601QEA7000 QM125T-G.69-00	Front winker, RH	1	
2	35602QEA7000 QM125T-G.69-00	Front winker, LH	1	
3		Lens, RH front winker	1	
4		Body, RH front winker	1	
5	07110Q007121	Bulb 12V10W	2	
6		Socket assy,	2	
7		Wire assy, RH	1	
8		Lens, front winker LH	1	
9		Body, front winker LH	1	
10		Wire assy, LH	1	
11	04010Q041302 GB/T845-85	Screw ST4. 2x13	6	

FIG.26



26

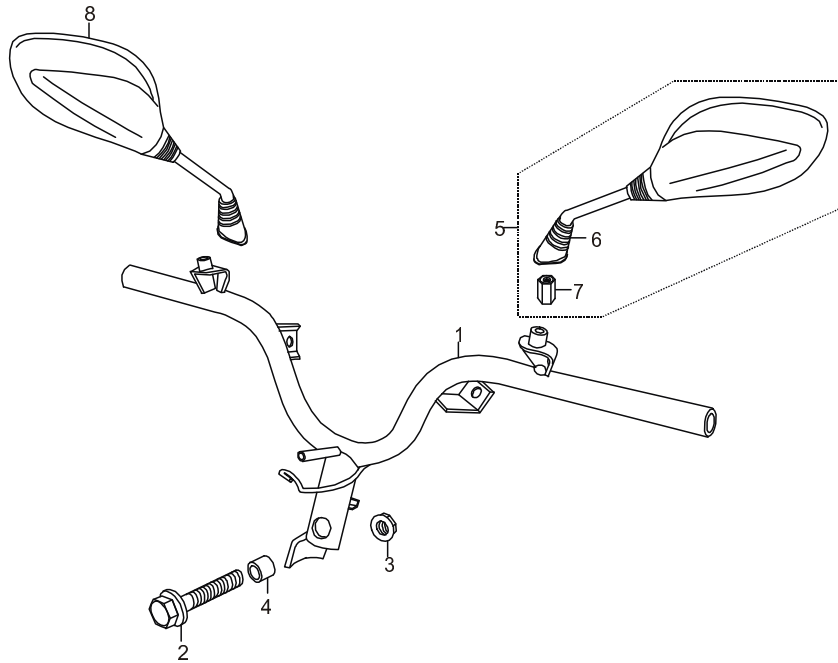
FIG.26

ФОНАРЬ ЗАДНИЙ

Ref.No.	Part No.	Description	Q'ty	Remarks
1	35701QEA7000 QM125T-G.62.4-00	Tail lamp assy	1	
2		Lens, tail lamp	1	
3		Body, tail lamp	1	
4		Socket assy, tail lamp	1	
5		Socketassy, rear winker	2	
6	07110Q007121	Bulb, tail lamp P21/5W	1	
7	07110Q007122	Bulb, rear winker R10W 12V10W	2	
8	04010Q031001 GB/T845-85	Screw ST3.5x10	4	
9		Wire assy, tail lamp	1	
10	04010Q041602 GB/T845-85	Screw ST4.2x16	4	
11	04010Q041302 GB/T845-85	Screw ST4.2x13	2	

QM125T-G

FIG.27



QM125T-G

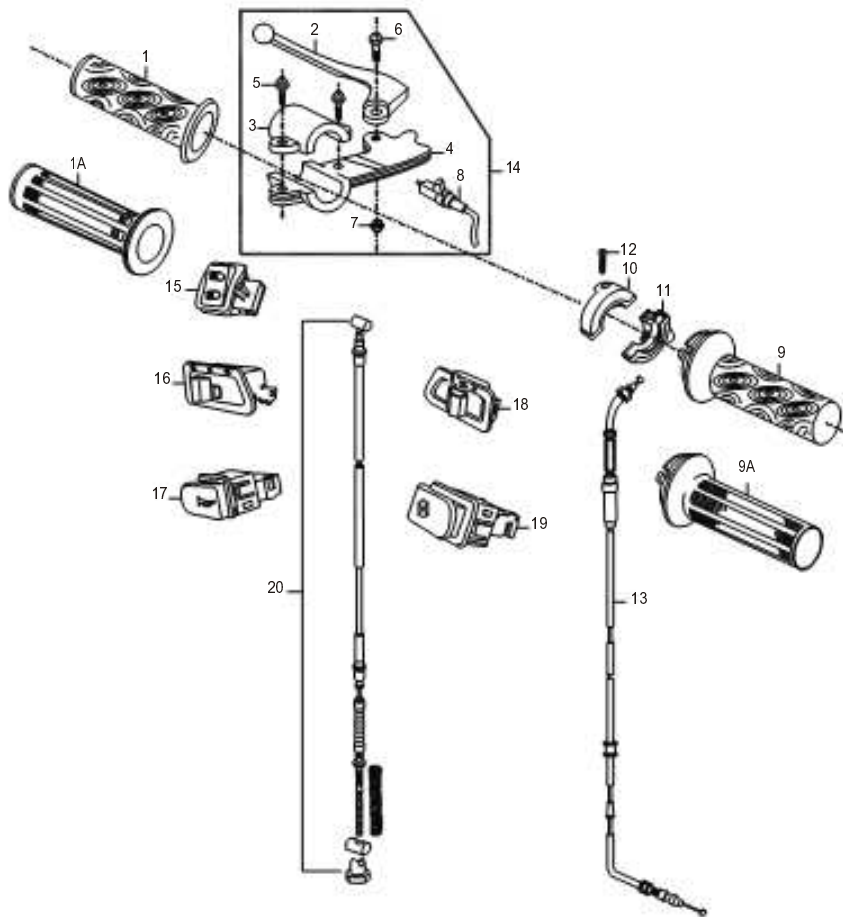
27

FIG.27

PYJIB

Ref.No.	Part No.	Description	Q'ty	Remarks
1	<u>561100EA7000</u> QM125T-G.32.1-00	Handlebar assy	1	
2	<u>02104Q100451</u> GB/T16674.1-2004	Bolt M10x1.25x45	1	
3	<u>05409Q091101</u> GB/T6187.2-2000	Nut M10x1.25	1	
4	<u>56213QACC000</u> QM50QT-3M.32-01	Joint spacer	1	
5	<u>566100EA7000</u> QM125T-G. 32.5-00	Mirror assy, LH	1	
6		Plug, dust proof	2	
7		Nut	2	
8	<u>565100EA7000</u> QM125T-G. 32.4-00	Mirror assy, LH	1	

FIG.28



28

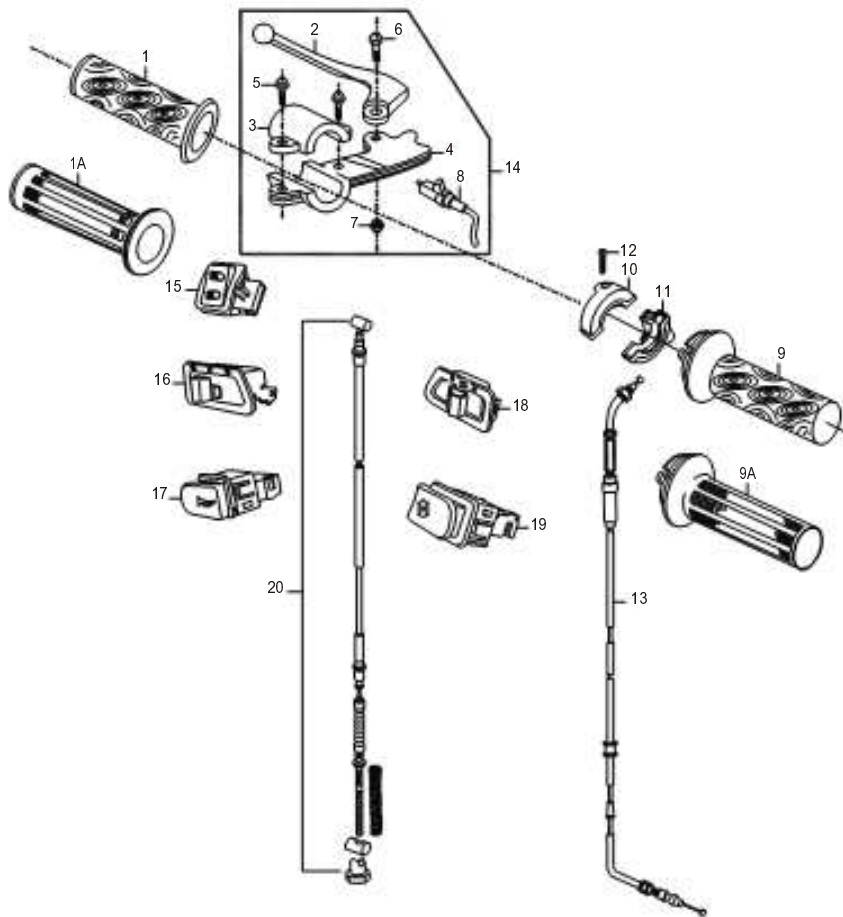
FIG.28

ПЕРЕКЛЮЧАТЕЛИ РУЛЕВЫЕ

Ref.No.	Part No.	Description	Q'ty	Remarks
1	57211QEA7000 QM125T-G.32-1	Grip, left	1	
1A	57211QACZ000 QM50QT-3.32-1	Grip, left	1	
2	57621QAGZ000 QM50QT-6.32.2-02	Lever, rear brake	1	
3	57511QAGZ000 QM50QT-6.32.2-01	Bracket, handle LH	1	
4	57531QAGZ000 QM50QT-6.32.2-04	Band handle bracket, LH	1	
5	02104Q060254	Bolt M6x25	2	
6	57634QAGZ000 QM50QT-6.32.2-03	Bolt	1	
7	05409Q041052	Nut M5	1	
8	57460QAGZ000 QM50QT-6.32.4.1-00	Switch assy, stop lamp	1	
9	57110QEA7000 QM125T-G.32.2-00	Grip, throttle	1	
9A	57110QACZ000 QM50QT-3.32.1-00	Grip, throttle	1	
10	57121QEK4000 QM125T-10D.32.2-01	Upper case, throttle	1	
11	57131QEK4000 QM125T-10D.32.2-02	Lower case, throttle	1	
12	03411Q050201 GB/T818-2000	Screw M5x20	1	
13	58300QEA7020 QM125T-G(II).32.7-00	Cable assy, throttle	1	
14	57500QAGZ000 QM50QT-6.32.2-00	Brake lever assy, LH	1	
15	37420QEDK000 QM125T-4V.66.3-00	Dimmer switch	1	
16	37440QEDK000 QM125T-4V.66.1-00	Switch, turn single	1	
17	37450QEDK000 QM125T-4V.66.5-00	Horn switch	1	
18	37220QEDK000 QM125T-4V.66.4-00	Start button	1	

QM125T-G

FIG.28



QM125T-G

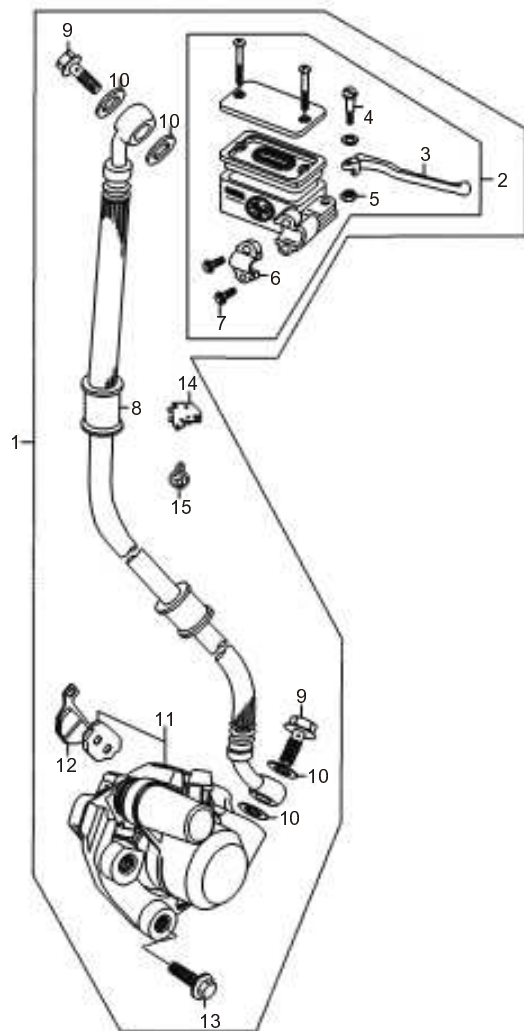
28

FIG.28

ПЕРЕКЛЮЧАТЕЛИ РУЛЕВЫЕ

Ref.No.	Part No.	Description	Q'ty	Remarks
19	37230QEDK000 QM125T-4V.66.2-00	Switch, headlamp	1	
20	58500QEA7000 QM125T-G.32.3-00	Cable assy, rear brake	1	Option

FIG.29



QM125T-G

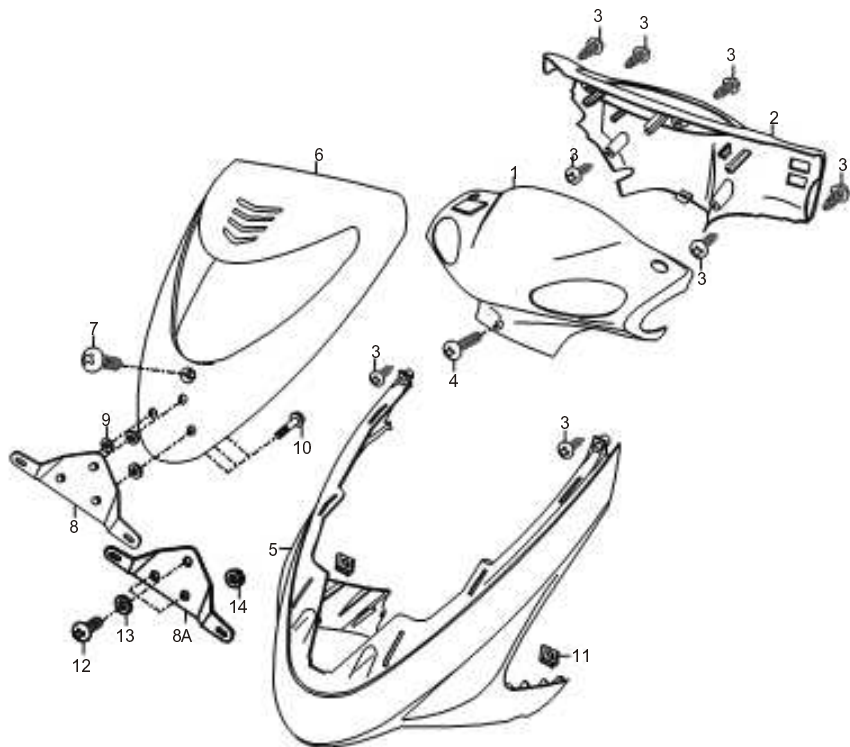
29

FIG.29

ПЕРЕДНИЙ ТОРМОЗ

Ref.No.	Part No.	Description	Q'ty	Remarks
1	<u>59000OEA7000</u>	Disk brake assy	1	
2	QM125T-G.83.1-00	Master cylinder assy	1	
3		Lever, front brake Bolt	1	
4		M6x30	1	
5		Nut M6	1	
6		Bracket, master cylinder	1	
7		Bolt M6x25	2	
8		Hose assy, front brake	1	
9		Bolt M10x24	2	
10		Seal ring 10	4	
11		Brake caliper assy	1	
12		Pad assy	2	
13	<u>02104Q080325</u> GB/T16674	Bolt M8 x 32	2	
14		Switch assy, stop lamp	1	
15		Screw	1	

FIG.30



QM125T-G

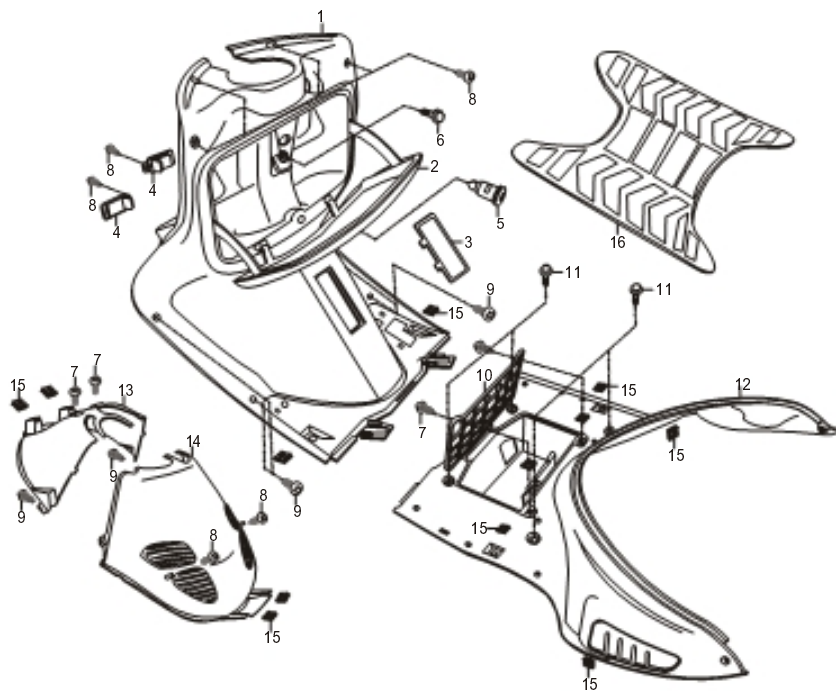
30

FIG.30

ПЕРЕДНИЙ ПЛАСТИК

Ref.No.	Part No.	Description	Q'ty	Remarks
1	<u>56311OEA7000</u> QM125T-G.46-1	Cover, handle front	1	
2	<u>56321OEA7000</u> QM125T-G.46-2	Cover, handle rear	1	
3	<u>04010Q041302</u> GB/T845-85	Screw ST4.2x13	8	
4	<u>03451Q050352</u> GB823-88	Screw M5x35	1	
5	<u>48137OEA7000</u> QM125T-G.46-11	Front shield assy, leg	1	
6	<u>48111OEA7000</u> QM125T-G.46-5	Front cover	1	
7	09124Q060004	Screw M6x16	1	
8	<u>96701OEA1000</u> QM125T-A.99.1-00	Bracket front, liscense plate	1	
8A	<u>96701OEA7000</u> QM125T-G.99.1-00	Bracket front, liscense plate	1	
9	<u>47287QKMZ000</u> QM100-12.46-16	Gasket 6.5x19x3	3	
10	<u>02104Q060162</u> GB/T16674	Flange bolt M6x16	3	
11	09148Q040001	Clip ST4.2	2	
12	09124Q060004	Screw M6x16	3	
13	<u>05420Q051061</u> GB/T96-00	Washer 6	3	
14	<u>05404Q012062</u> GB6177.1-2000	Flange nut M6	3	

FIG.31



31

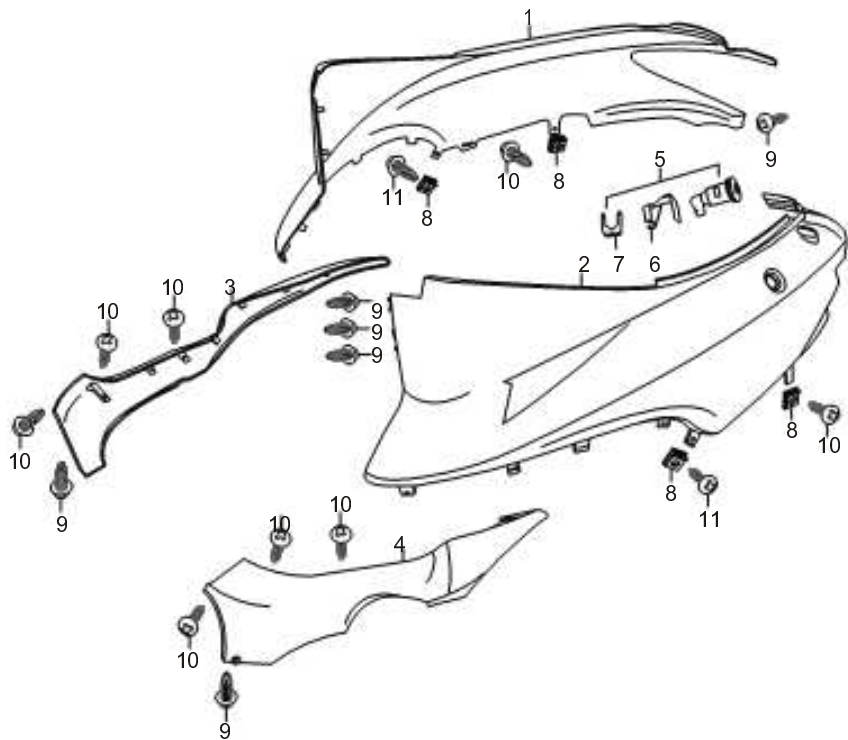
FIG.31

ВНУТРЕННИЙ ПЛАСТИК

Ref.No.	Part No.	Description	Q'ty	Remarks
1	<u>92111OEA7000</u> QM125T-G.46-6	Front shield, leg	1	
2	<u>92112OEA7000</u> QM125T-G.46-8	Lid, inner box	1	
3	<u>92121OEA7000</u> QM125T-G.46-7	Cover, frame No.	1	
4	<u>92113OEA7000</u> QM125T-G.46-9	Sopper, inner box	2	
5	<u>47710OEA1000</u> QM125T-A.65.3-00	Lock set, inner box	1	
6	<u>02104Q060122</u> GB/T16674	Flange bolt M6x12	1	
7	<u>04010Q051602</u> GB/T845-85	Screw ST4.8x16	4	
8	<u>04010Q041302</u> GB/T845-85	Screw ST4.2x13	8	
9	<u>04010Q041602</u> GB/T845-85	Screw ST4.2x16	4	
10	<u>33642QEA1000</u> QM125T-A.46-21	Cover, battery	1	
11	<u>02104Q060162</u> GB/T16674	Flange bolt M6x16	4	
12	<u>48121OEA7000</u> QM125T-G.46-15	Footboard comp	1	
13	<u>53111QEA7000</u> QM125T-G.46-3	Front portion, front fender	1	
14	<u>53122QEA7000</u> QM125T-G.46-4	Rear portion, front fender,	1	
15	09148Q040001	ClipST4.2	12	
16	<u>43551QEA7000</u> QM125T-G.46-15	Mat, floor	1	

QM125T-G

FIG.32



QM125T-G

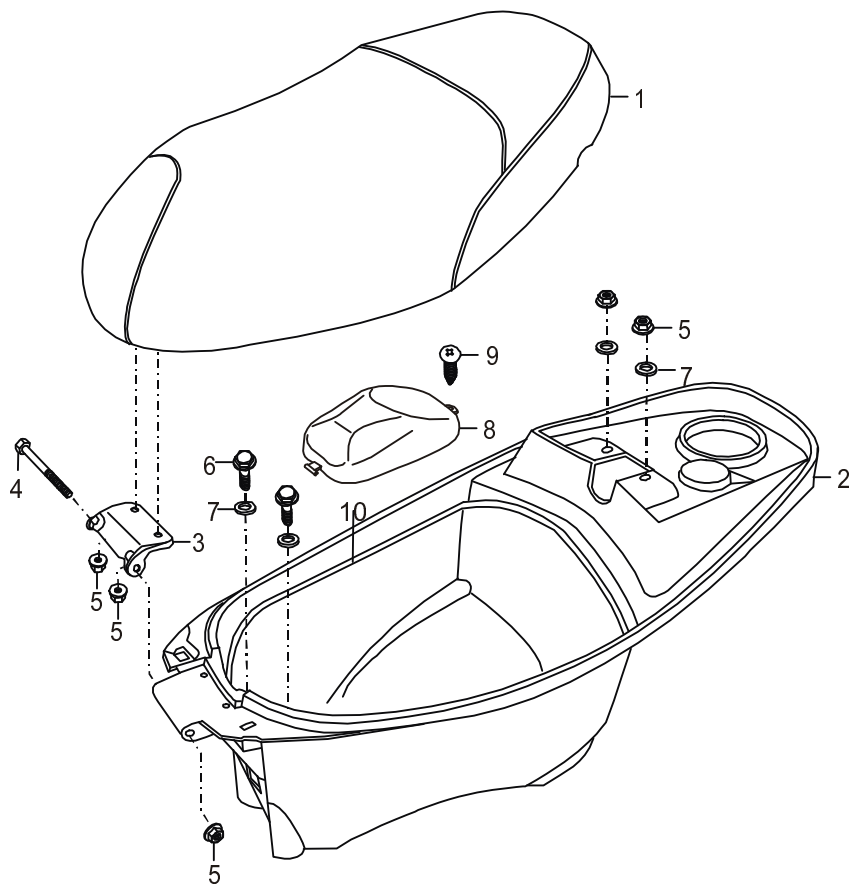
32

FIG.32

БОКОВОЙ ПЛАСТИК

Ref.No.	Part No.	Description	Q'ty	Remarks
1	<u>47111OEA7000</u> QM125T-G.46-18	Side cover, RH	1	
2	<u>47211OEA7000</u> QM125T-G.46-17	Side cover, LH	1	
3	<u>47131OEA7000</u> QM125T-G.46-13	Lower cover, RH	1	
4	<u>47231OEA7000</u> QM125T-G.46-12	Lower cover, LH	1	
5	<u>45801OEA1000</u> QM125T-A.65.2-00	Lock set, seat	1	
6	<u>45851OEA1000</u> QM125T-A.65.2(3)-02	Stater lock, seat	1	
7	<u>45861OEA1000</u> QM125T-A.65.2(3)-01	Circlip I	2	
8	09148Q040001	Clip ST4.2	4	
9	<u>04010Q041302</u> GB/T845-85	Screw ST4.2x13	6	
10	<u>04010Q041602</u> GB/T845-85	Screw ST4.2x16	8	
11	<u>04010Q051302</u> GB/T845-85	Screw ST4.8x13	2	

FIG.33



QM125T-G

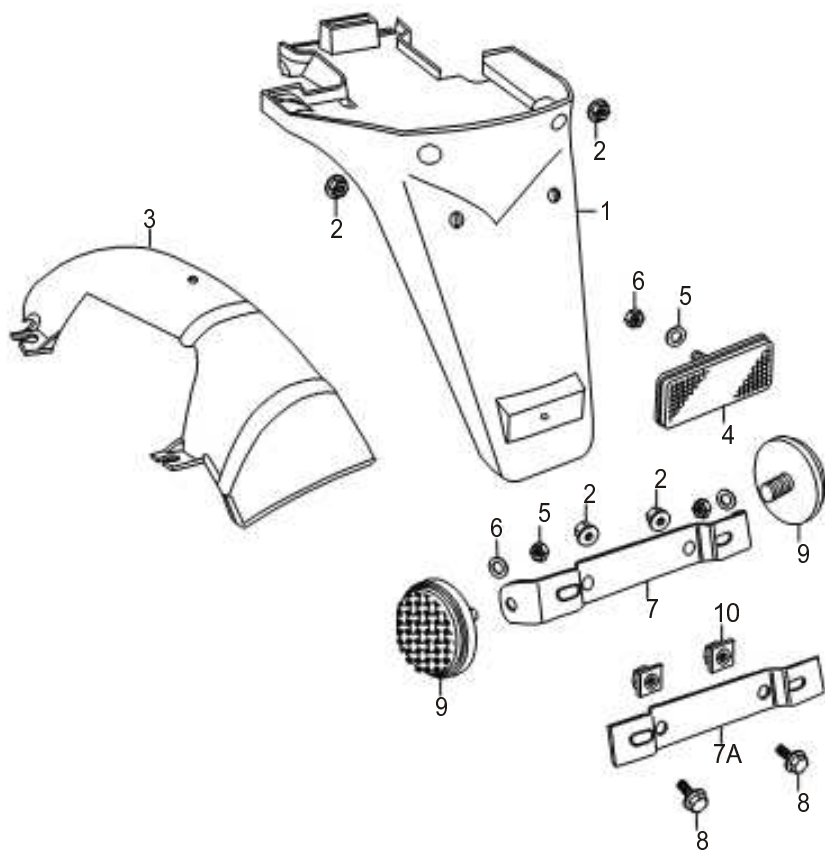
33

FIG.33

СИДУШКА

Ref.No.	Part No.	Description	Q'ty	Remarks
1	<u>45101QEA7000</u> QM125T-G.36.1-00	Seat comp	1	
2	<u>92211QEA7000</u> QM125T-G.46-16	Helmet box assy	1	
3	<u>45271QEA1000</u> QM125T-A.36-07	Bracket, seat front	1	
4	<u>45273QEA1000</u> QM125T-A.36-08	Pin, seat front	2	
5	<u>05404Q012062</u> GB6177.1-2000	Flange nut M6	5	
6	<u>02104Q060122</u> GB/T16674	Flange bolt M6x12	2	
7	<u>05420Q051062</u> GB/T96-00	Washer 6	4	
8	<u>92212QEA1000</u> QM125T-A.46-31	Inspection cover, carburetor	1	
9	04010Q041302	Screw ST4.2x13	1	
10	<u>92213QEA7000</u> QM125T-G.46-19	Felt, helmet box	1	

FIG.34



QM125T-G

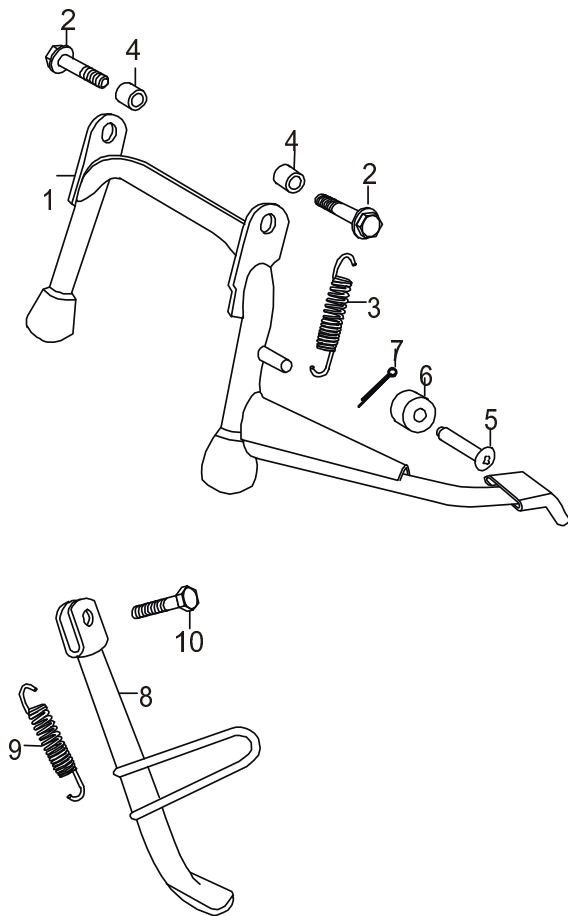
34

FIG.34

КРЫЛО ЗАДНЕЕ

Ref.No	Part No.	Description	Q'ty	Remarks
1	<u>63111QEA7000</u> QM125T-G.38-01	Rear fender	1	
2	<u>05404Q012062</u> GB6177.1-2000	Flange nut M6	4	
3	<u>63112QEA2000</u> QM125T-B.46-19	Rear fender, small	1	
4	<u>35902QEA2000</u> QM125T-B.74.1-00	Reflector, rear	1	
5	<u>05420Q051051</u> GB96-85	Washer 5	3	
6	<u>05401Q011051</u> GB6170-2000	Nut M5	3	
7	<u>96702QAC5000</u> QM50QT-3E.99.1-00	Rear bracket, license plate	1	
7A	<u>96702QAC5000</u> QM50QT-B	Rear bracket, license plate	1	
8	<u>02104Q060122</u> GB/T16674	Flange bolt M6x12	2	
9	<u>35901QEDZ000</u> QM125T-4.74.1-00	Reflector, side	2	
10		Nut clip	2	

FIG.35



QM125T-G

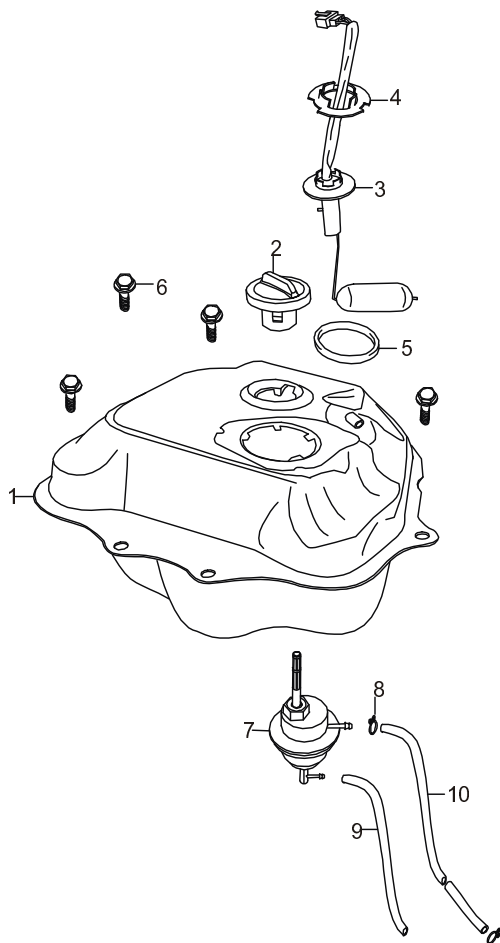
35

FIG.35

ПОДНОЖКИ

Ref.No.	Part No.	Description	Q'ty	Remarks
1	<u>421100EA1000</u> QM125T-A.40.1-00	Central stand comp.	1	
2	<u>02304Q100322</u> GB/T5789-2000	Flange bolt M10x32	2	
3	<u>09443Q160006</u> QM124T-A.41-02	Spring, central stand	1	
4	<u>42221QEDZ000</u> QM125T-4.41-2	Bush, axle	2	
5	<u>04711Q060321</u> GB882-86	Shaft 6x32	1	
6	<u>42261QEA1000</u> QM125T-A.41-1	Cushio	1	
7	<u>04411Q20201</u> GB91-86	Pin 2x20	1	
8	<u>42310QEA7000</u> QM125T-G.81.1-00	Side stand comp.	1	
9	<u>09443Q150010</u> QM125T-A.81-01	Spring, side stand	1	
10	<u>42333QEA1000</u> QM125T-A.81-02	Bolt, side stand M8	1	

FIG.36



QM125T-G

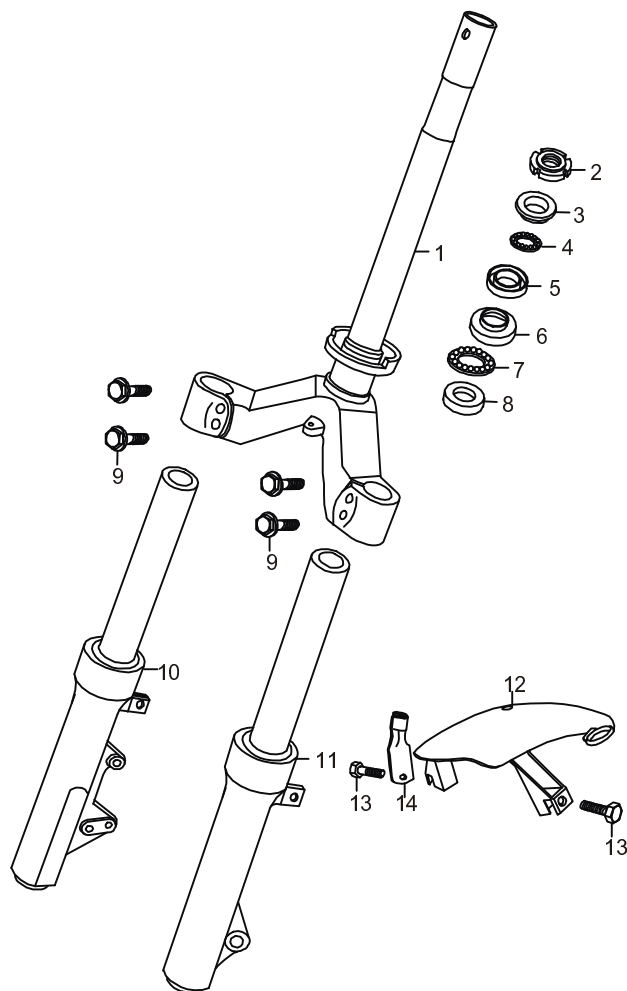
36

FIG.36

БЕНЗОБАК

Ref.No.	Part No.	Description	Q'ty	Remarks
1	<u>44110EAI000</u> QM125T-A.44.1-00	Fuel tank weld assy	1	
2	<u>44200OEK4000</u> QM125T-10D.44.3-00	Cap, fuel tank	1	
3	<u>34801OEA1000</u> QM125T-A.77.1-00	Gauge assy, fuel level	1	
4	<u>44587QACC000</u> QM50QT-3M.77.1-01	Bracket, gauge assy	1	
5	<u>34825OACC000</u> QM50QT-3M.77.1-06	Dust seal	1	
6	<u>02104Q060122</u> GB/T16674	Flange bolt M6x12	4	
7	<u>44300QAGZ000</u> QM50T-6.44.4-00	Fuel cock	1	
8	<u>09401Q084001</u> GS125.44-5	Clip d8	2	
9	<u>44411OEA1000</u> QM125T-A.44-1	Hose, fuel	1	
10	<u>44425OEDZ000</u> QM125T-4.44.3-2	Hose, vacuum	1	

FIG.37



QM125T-G

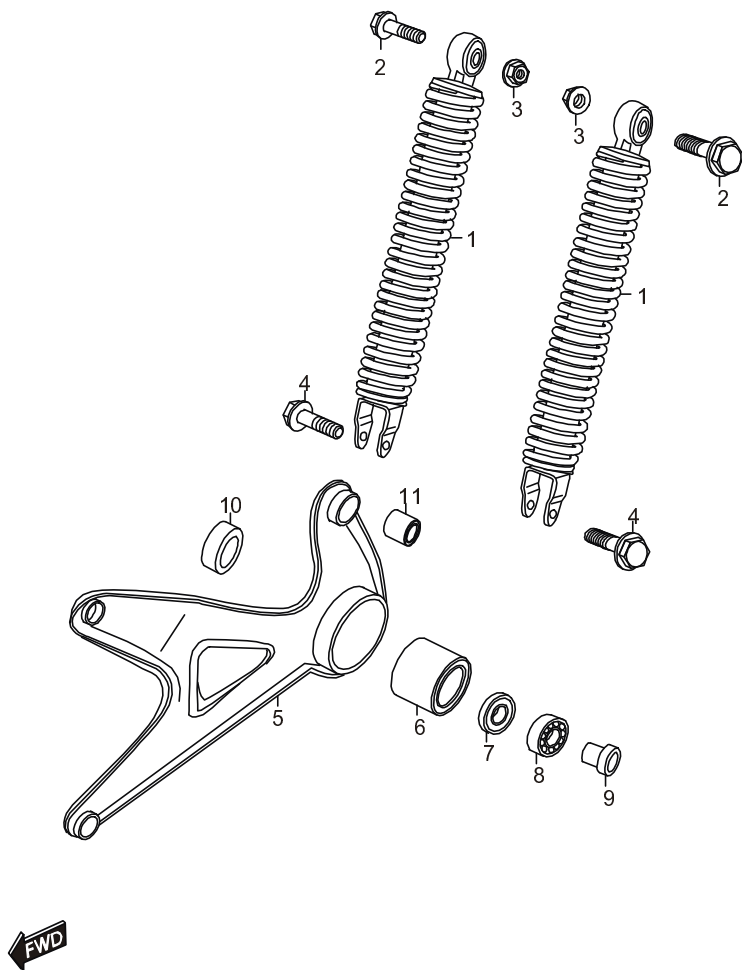
37

FIG.37

ПЕРЕДНЯЯ ВИЛКА

Ref.No.	Part No.	Description	Q'ty	Remarks
1	<u>51410OEA1000</u> QM125T-A.31.1-00	Steering stem	1	
2	<u>51631OAFZ000</u> AG50.31-1	Nut M25, steering stem	1	
3	<u>51621OEA1000</u> QM125T-A.31.1-1	Steering ball race, upper, outer	1	
4	<u>51650OEA1000</u> QM125T-A.31.1-06	Ball bearing, upper	1	
5	<u>51611OEA1000</u> QM125T-A.31.1-2	Steering ball race, upper, inner	1	
6	<u>51612OEA1000</u> QM125T-A.31.1-3	Steering ball race, lower, inner	1	
7	<u>51660OEA1000</u> QM125T-A.31.1-07	Ball bearing, lower	1	
8	<u>51622OEA1000</u> QM125T-A.31.1-4	Steering ball race, lower, outer	1	
9	<u>02104Q080502</u> GB/T16674	Flange bolt M8x50	4	
10	<u>51103OEA1000</u> QM125T-A.31.2-00	Shock absorb tube RH	1	
11	<u>51104OEA1000</u> QM125T-A.31.3-00	Shock absorb tube LH	1	
12	<u>53171OEA1020</u> QM125T-A	Front fender, middle	1	
13	<u>01301O06016J</u> GB/T5780-2000	Bolt M6x16	2	
14	<u>51450OED4000</u> QM125T-4D.31.4-00	Clip	1	

FIG.38



QM125T-G

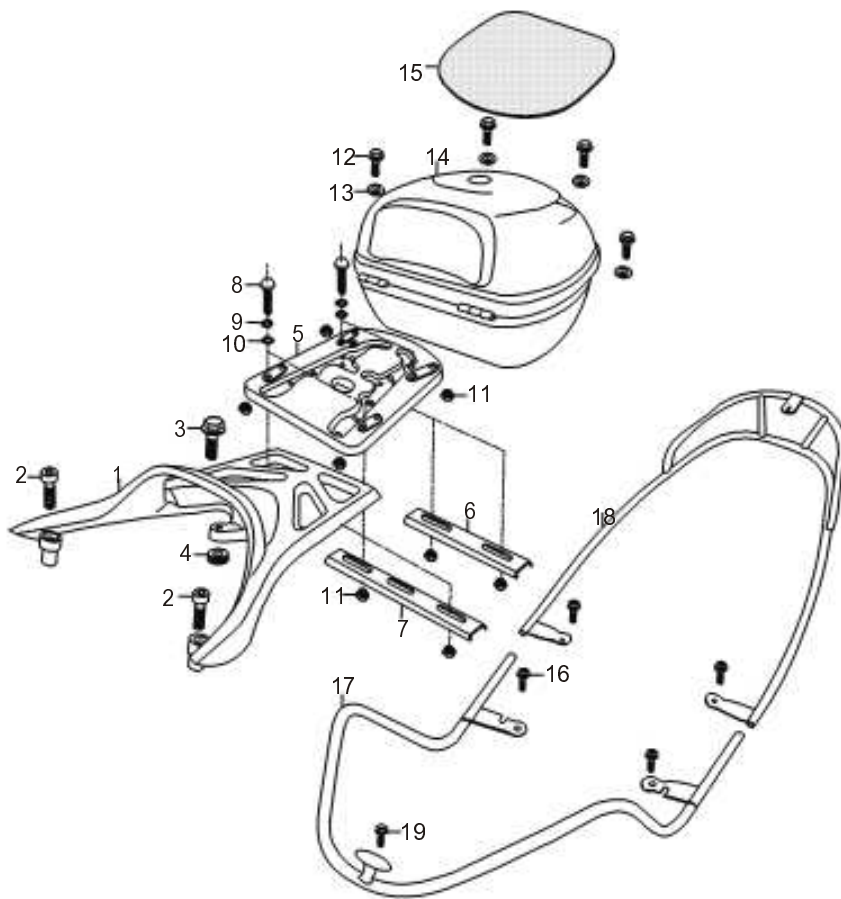
38

FIG.38

ЗАДНИЙ АММОТИЗАТОР

Ref.No.	Part No.	Description	Q'ty	Remarks
1	<u>621010EA7000</u> QM125T-G.35.1-00	Rear absorber comp.	2	
2	<u>02104Q10401</u> GB/T16674-2000	Flange bolt M10x40x1.25	2	
3	<u>05409Q091101</u> GB/T6187.2-2000	Flange nut M10x1.25	2	
4	<u>02104Q080322</u> GB/T16674-2000	Flange bolt M8x32	2	
5	<u>623200EA2000</u> QM125T-B.35.2.1-00	Arm, rear suspension	1	
6	<u>09319Q080001</u> QM125T-4.35.2.1-00	Bush I	1	
7	<u>09284Q200001</u> QM125T-4.35.2.2-1	Oil seal 20x30x5	1	
8	<u>05580Q006003</u> GB/T276-1994	Bearing 6003-2RS	1	
9	<u>09301Q170001</u> QM125T-B.35.2-02	Inner spacer, rear suspension	1	
10	<u>09180Q17007</u> QM125T-B.35.2-01	Outer spacer, rear suspension	1	
11	<u>62340QEDZ000</u> QM125T-4.35.2.2-00	Bush II	1	

FIG.39



QM125T-G

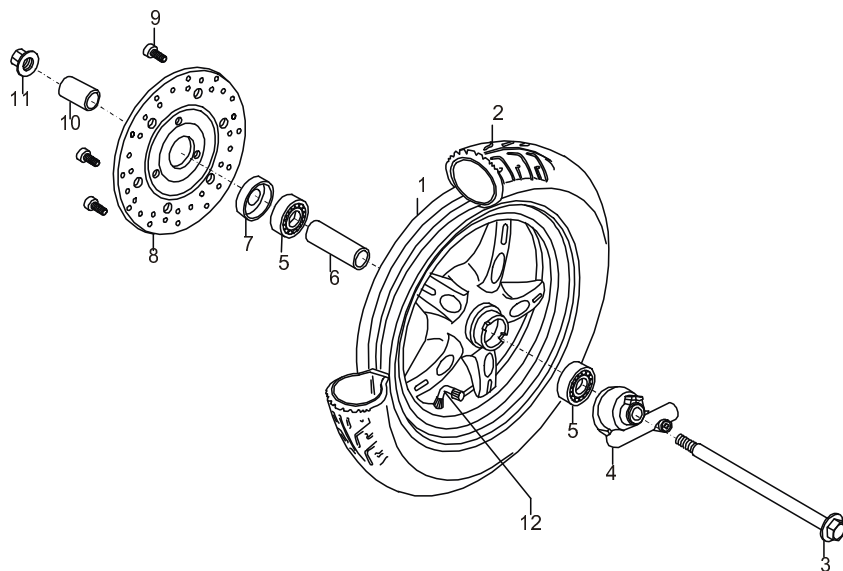
39

FIG.39

КЕЙС

Ref.No.	Part No.	Description	Q'ty	Remarks
1	<u>463110EA7000</u> QM125T-G.40-01	Rear carrier	1	
2	<u>03611Q008325</u> GB/T70.1-2000	Bolt M8x32	2	
3	<u>02104Q080255</u> GB/T16674	Flange bolt M8x25	1	
4	<u>09320Q080003</u> GS125.44-4	Rubber washer 08018	1	
5	93233EA7000	Plate, luggage box mounting	1	
6	<u>93211EA7000</u> QM125T-G.98-01	Bracket, front	1	
7	<u>93221EA7000</u> QM125T-G.98-02	Bracket, rear	1	
8	<u>01301Q060401</u> GB/T5780-2000	Bolt M6x40	4	
9	<u>05421Q021061</u> GB859-87	Spring washer 6	4	
10	<u>05420Q021061</u> GB97.1-85	Washer 6	4	
11	<u>05401Q011061</u> GB6170-2000	Nut M6	8	
12	<u>02104Q060301</u> GB/T16674	Bolt M6x30	4	
13	<u>932310EA1000</u> QM125T-A.98-02	Washer special	4	
14	<u>93110QEA7000</u> QM125T-G.98.1-00	Rear luggage box comp.	1	
15	<u>93131QEA1000</u> QM125T-A.98-03	Cushion, inner	1	
16	<u>01112Q060351</u> GB9074.11-88	Bolt & washer M6x35	4	
17	<u>937100QEA7000</u> QM125T-G.82.1-00	Fence, front portion	1	
18	<u>93770QKX3000</u> QM125T-G.82.2-00	Fence, rear portion	1	
19	<u>02104Q060165</u> GB/T16674	Flange bolt M6x16	1	

FIG.40



QM125T-G

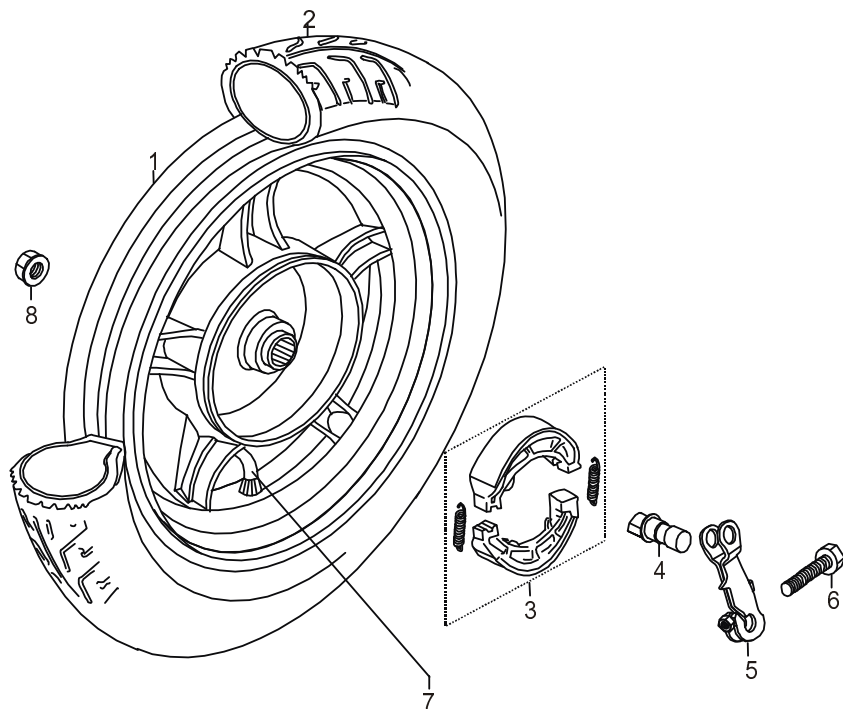
40

FIG.40

ДИСК ПЕРЕДНИЙ

Ref.No.	Part No.	Description	Q'ty	Remarks
1	54111QEA7000 QM125T-G.33-01	Rim, front wheel	1	
2	55110QEA1000 QM125T-A.33-5 54711QEA7000	Tyre, rear	1	
3	QM125T-G.33-02	Axle, front wheel L=218	1	
4	54600QEA1000 QM125T-A.33.1-00	Gear box, speedometer	1	
5	05530Q060201 GB/T276-94	Bearing 6201Z	2	
6	54730QEA1000 QM125T-A.33-03	Spacer, front wheel bearing	1	
7	54891QEA1000 QM125T-A.33-4	Oil seal, front wheel	1	
8	59211QEA1000 QM125T-A.83.4.1-00	Disk, front brake	1	
9	59491QEA1000 QM125T-A.83-02	Bolt M8x24	3	
10	54741QEA7000 QM125T-G.33-03	Spacer, front wheel	1	
11	05409Q091125 GB6187.2-0000	Flange nut M12x1.25	1	
12	55220QDAZ000 QM100T.33.3-00	Inflating valve assy, rim	1	

FIG.41



QM125T-G

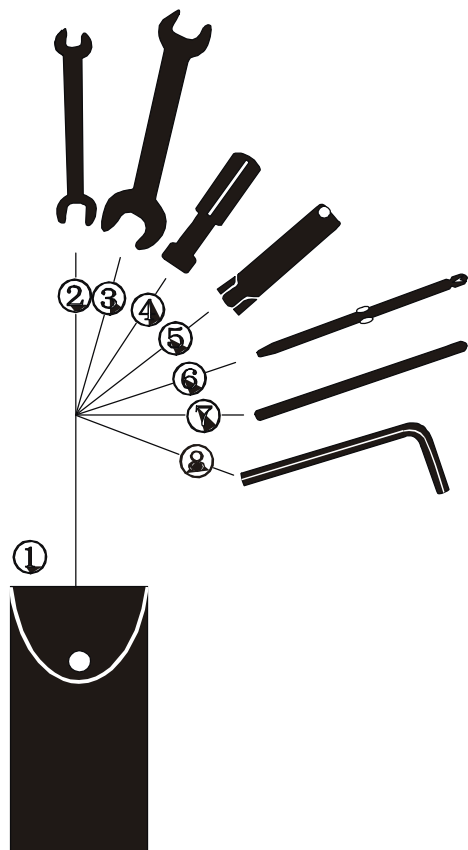
41

FIG.41

ДИСК ЗАДНИЙ

Ref.No.	Part No.	Description	Q'ty	Remarks
1	<u>64150QEA7000</u> QM125T-G.34.1-00	Rim, rear wheel	1	
2	<u>55110QEA1000</u> QM125T-A.33-5	Tyre, rear	1	
3	<u>64401QEDZ000</u> QM125T-B.34.1-00	Brake shoe, rear	1	
4	<u>64441QEDZ000</u> QM125T-B.34-1	Cam, brake	1	
5	<u>64451QEDZ000</u> QM125T-B.34.5-00	Lever, rear brake cam	1	
6	<u>01301Q060351</u> GB/T5780-2000	Bolt M6x35	1	
7	<u>55220QDAZ000</u> QM100T.33.3-00	Inflating valve assy, wheel rim	1	
8	<u>05409Q091141</u> GB6187.2-0000	Nut M14x1.5	1	

FIG.42



QM125T-G

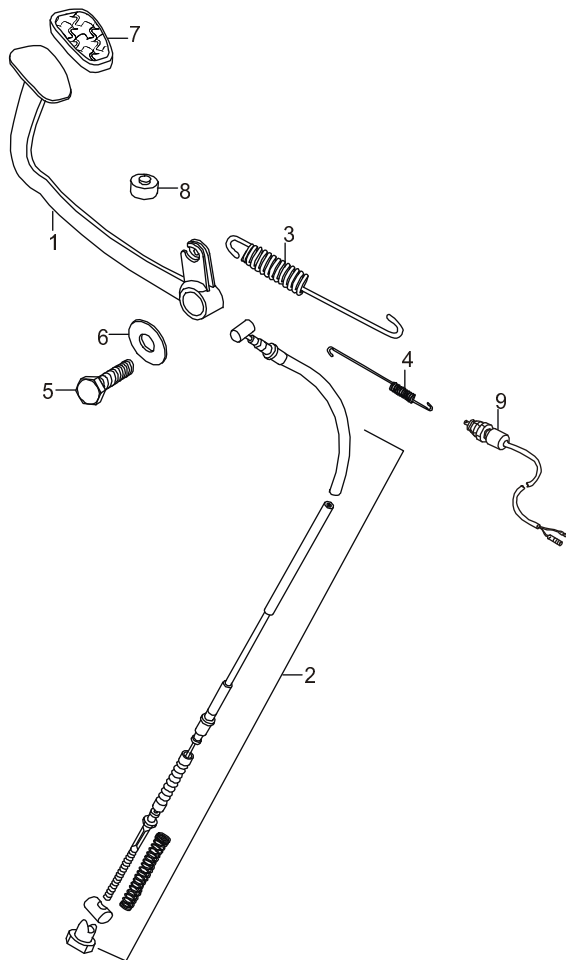
42

FIG.42

ИНСТРУМЕНТ

Ref.No.	Part No.	Description	Q'ty	Remarks
1	<u>098110000001</u> QS90.80-1	Bag, tool	1	
2	<u>098130000003</u> GS125.80.2-1	Spanner, smaller	1	
3	<u>098130000002</u> GS125.80.2-2	Spanner, bigger	1	
4	<u>96520QEDZ000</u> QM125T-4	Handlebar, screwdriver	1	
5	<u>96511QEA2000</u> QM125T-B	Spark plug wrench	1	
6	<u>098140000001</u> GS125.80.2-6	Screwdriver	1	
7	<u>098160000003</u> QS90.80-4	Spark plug wrench handlebar	1	
8	<u>098160000002</u> QS90.80-7	Spanner, hexagon	1	

FIG.43
(OPTION)



QM125T-G

43

FIG.43

ПЕДАЛЬ ТОРМОЗА

Ref.No.	Part No.	Description	Q'ty	Remarks
1	<u>43110QEA1030</u> QM125T-A.48.1-00	Pedal, rear brake	1	
2	<u>58500QEA7020</u> QM125T-G(II).48.1-00	Cable assy, rear brake	1	
3	<u>43233QEA1030</u> QM125T-A.48-02	Spring, brake pedal	1	
4	<u>37771QEA1030</u> QM125T-A.48-01	Spring, brake switch	1	
5	<u>02101Q060122</u> GB/T16674.1-2004	Bolt M6x12	1	
6	<u>05420Q052061</u> GB/T96-85	Washer 6 big	1	
7	<u>43141QEA1030</u> QM125T-A.48-03	Rubber, pedal	1	
8	<u>43255QEA1030</u> QM125T-A.48-04	Cushion	1	
9	37740QKLZ000	Switch assy, rear brake	1	

* Note: The brake assy is special for the motorcycle whose rear brake is operated by foot.