



**КАТАЛОГ ЗАПЧАСТЕЙ К ДВИГАТЕЛЮ K166FML**  
**(4-такта, объем 200см.куб.)**

**EAGLE-200 (QM200-2A)**  
**MATADOR-200 (200GY)**  
**DRAGON-200 (QM200GY-B(ASD))**  
**WOLF 200-2D (QM200-2D)**

## **Внимание!**

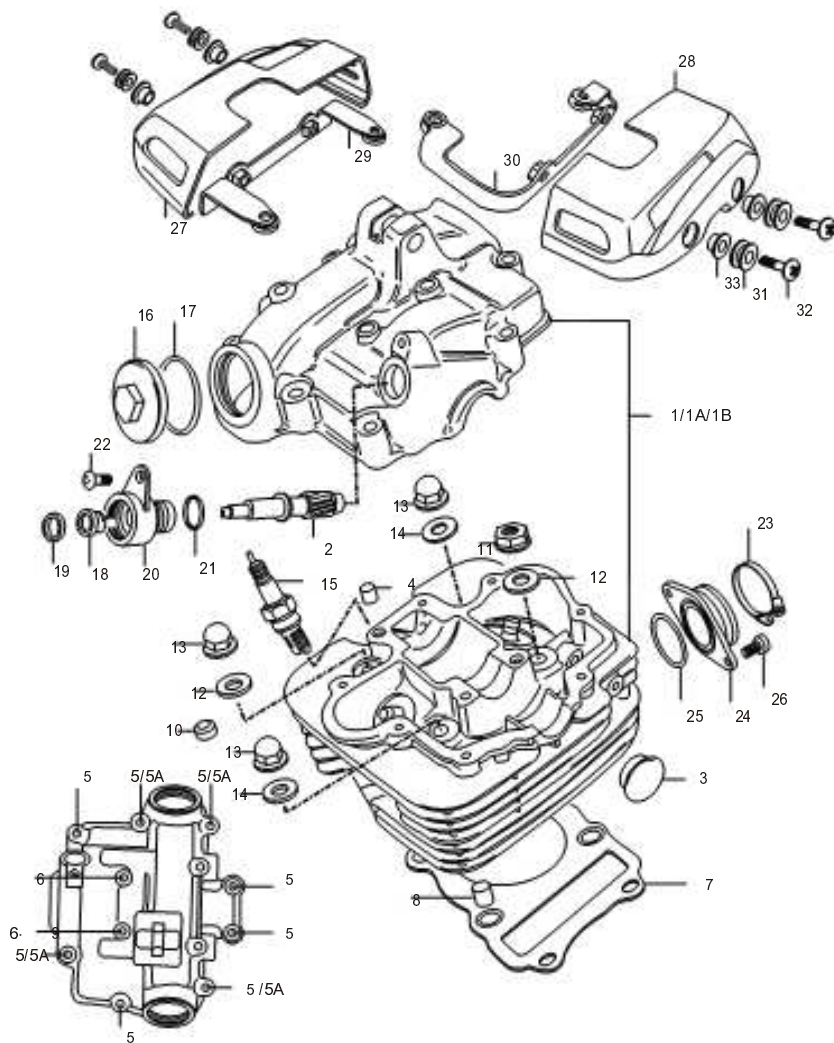
**Для заказа запчастей необходимо в каталоге найти страницу с изображением интересующей вас детали. В левом верхнем углу написан код рисунка. Номер детали указан возле изображения детали. Например для заказа прокладки глушителя, для модели FORTUNE 50, вы пишете в заявке – "FIG.13 – 8 Прокладка глушителя" (или название на английском из каталога) и необходимое количество. Если группа деталей объединена скобкой, это значит, что детали продаются в комплекте.**

**После того, как вы определились с выбором детали, вы можете сделать заказ, уточнить наличие на складе, цену, позвонив по телефонам указанным на [сайте](#) или отправьте запрос на наш e-mail: [repair@skybike.com.ua](mailto:repair@skybike.com.ua)**

## КАТАЛОГ ЗАПЧАСТЕЙ

. No.		
FIG.E1	ГОЛОВКА ЦИЛИНДРА.....	1
FIG.E2	ЦИЛИНДР.....	3
FIG.E3	КАРТЕР.....	4
FIG.E4	КРЫШКА КАРТЕРА.....	5
FIG.E5	КОЛЕНВАЛ.....	7
FIG.E6	ПРИВОД СТАРТЕРА.....	8
FIG.E7	РАСПРЕДВАЛ / КЛАПАНА.....	9
FIG.E8	ЦЕПЬ РАСПРЕДВАЛА.....	10
FIG.E9	МАСЛО НАСОС.....	11
FIG.E10	СЦЕПЛЕНИЕ.....	12
FIG.E11	ТРАНСМИССИЯ.....	14
FIG.E12	МЕХАНИЗМ ВЫБОРА ПЕРЕДАЧ.....	17
FIG.E13	МОТОР СТАРТЕРА.....	20
FIG.E14	МАГНЕТТО.....	21
FIG.E15	КАРБЮРАТОР.....	22
FIG.E16	КИК СТАРТЕР.....	25

FIG.E1



K166FML

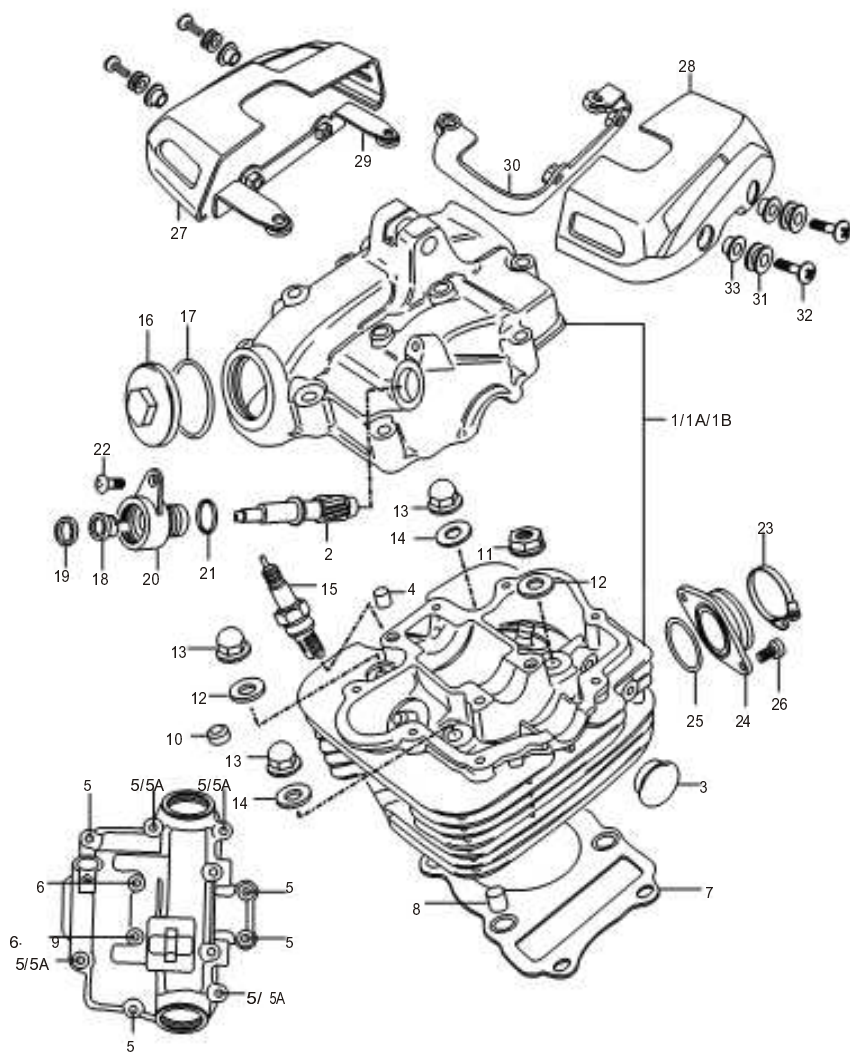
E1

FIG.E1

ГОЛОВКА ЦИЛИНДРА

Ref.No.	Part No.	Description	Q'ty	Remarks
1	K166FML02.2-00	Head assy, cylinder	1	
1A	K166FML02.2-00	Head assy, cylinder	1	
1B	K157FMI02-07B	Head assy, cylinder	1	
2	K157FMI02-34	Gear, tachometer	1	
3	K157FMI02.7-00	driven Plug, head	1	
4	K157FMI02-43	Pin 8 x11	2	
5	GB5789-86	Bolt M6x35	8	
5A	GB5789-87	Bolt M6x40	4	
6	GB5789-86	Bolt M6x60	2	
7	K166FML02-31A	Gasket, cylinder head	1	
8	K157FMI02-10	Pin 11x16	2	
9	K157FMI01.4-00	Washer	2	
10	K157FMI02-44	Rubber pad	6	
11	T151QMI.02-45	Nut M8	1	
12	N150FMG.02-36	Washer	2	
13	K157FMI02-41A	Nut M8	3	
14	K157FMI02-42	Washer	2	
15	K157FMI02-45A	Spark plug	1	
16	K157FMI02-20	Cap, inspection	2	
17	K157FMI02-19	O-Ring d3x29.5	2	

FIG.E1



K166FML

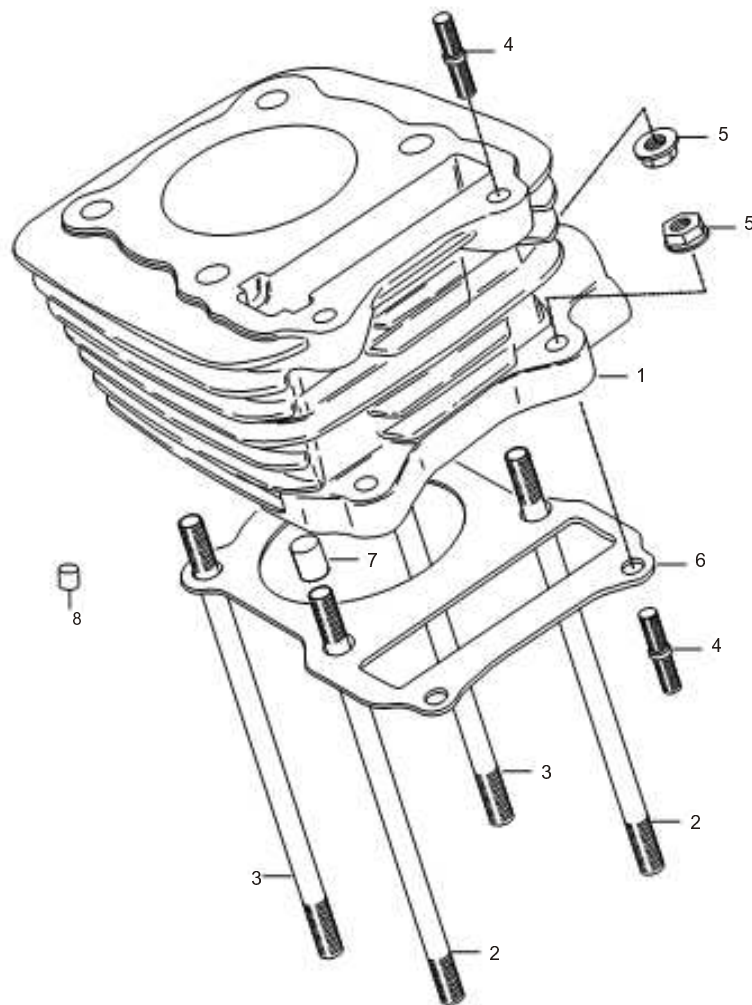
E1

FIG.E1

ГОЛОВКА ЦИЛИНДРА

Ref.No.	Part No.	Description	Q'ty	Remarks
18	K157FMI02-36	Oil seal	1	
19	K157FMI02-48	Gasket	1	
20	K157FMI02-38	Sleeve	1	
21	K157FMI02-35	O-Ring	1	
22	K157FMI02-37	Screw M5 x 12	1	
23	K157FMI02.8-00	Clamp	1	
24	K166FML02.9-00	Pipe, intake	1	
25	K166FML02-23	O-Ring d2.4x31.7	1	
26	GB9074.3-88	Screw M6x16	2	
27	K157FMI02.14-04B	Cover, LH	1	
28	K157FMI02.14-05A	Cover, RH	1	
29	K157FMI02.14.1-00A	Bracket, LH	1	
30	K157FMI02.14.2-00A	Bracket, RH	1	
31	K157FMI02.14-03A	Cushion	4	
32	K157FMI02.14-01A	Screw	4	
33	K157FMI02.14-02A	Spacer	4	

FIG.E2



K166FML

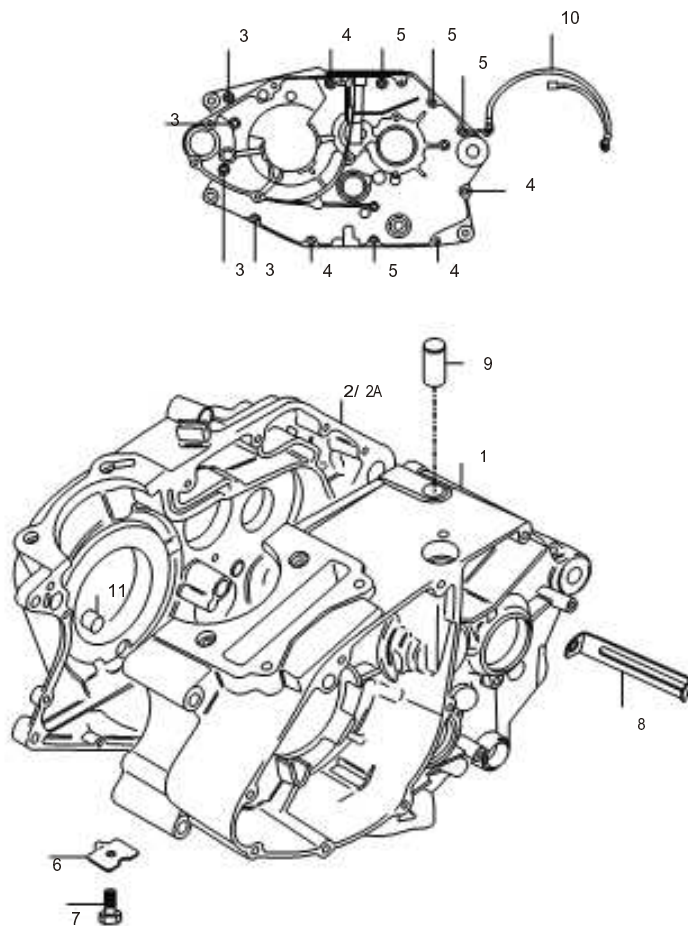
E2

FIG.E2

ЦИЛИНДР

Ref.No.	Part No.	Description	Qty	Remarks
1	K166FML02.1-00	Cylinder	1	
2	K166FML02-11	Stud boltL: 180	2	
3	K166FML02-12	Stud bolt L: 185	2	
4	K157FMI02-49A	Stud bolt L: 34	4	
5	GB6177-86	Nut M6	4	
6	K166FML02-33	Gasket, cylinder	1	
7	K157FMI02-32	Pin11 x 14	2	
8	K157FMI02-44	Cushion	6	

FIG.E3



K166FML

E3

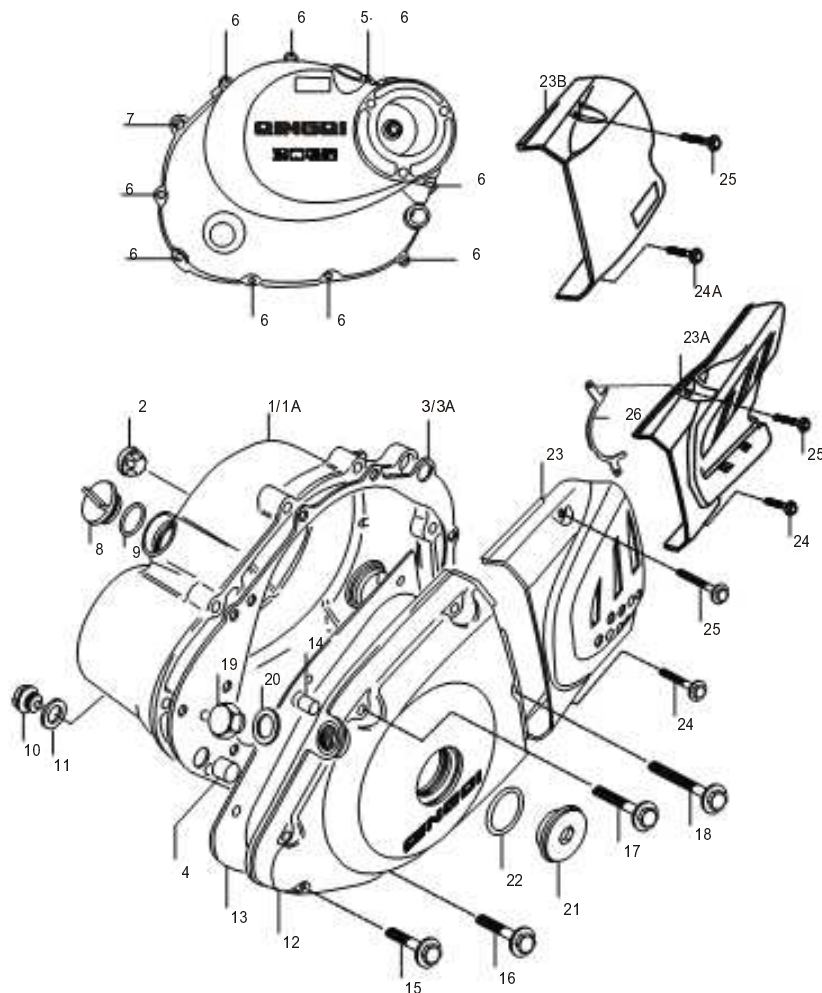
FIG.E3

KAPTEP

Ref.No.	Part No.	Description	Q'ty	Remarks
1	K166FML.01.1-00	Crankcase, LH	1	
2	K166FML.01.2-00A	Crankcase, RH	1	
2A	K166FML01.2-00B	Crankcase, RH	1	
3	GB5787-86	Bolt M6 x 55	4	
4	GB5787-86	Bolt M6 x 60	4	
5	GB5787-86	Bolt M6 x 75	4	
6	K157FMI01-11	Plate	1	
7	GB5781-86	Bolt M6x10	1	
8	K166FML01-03	Clip	1	
9	K157FMI01-17	Hose, breath	1	
10	K157FMI01-18	Lead wire	1	
11	K157FMI01-07	Pin 13 x 18	2	



FIG.E4



K166FML

E4

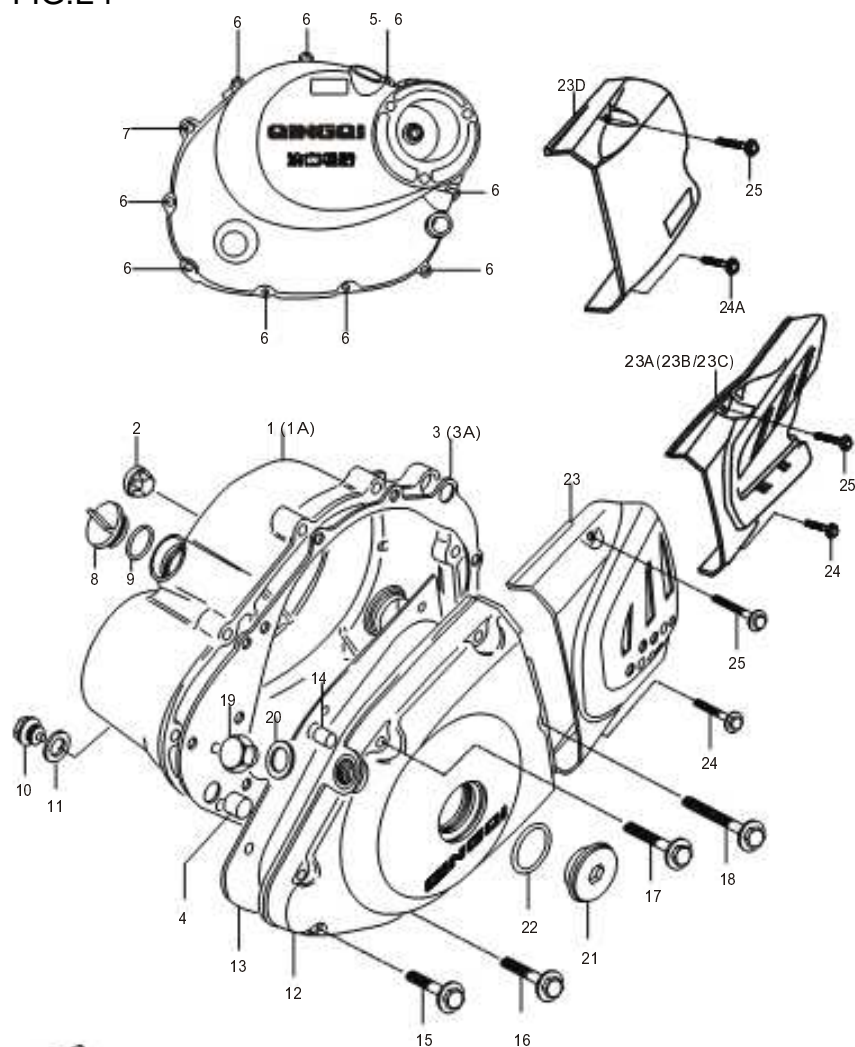
FIG.E4

КРЫШКА КАРТЕРА

Ref.No.	Part No.	Description	Q'ty	Remarks
1	K166FML01.3-00	Cover, clutch	1	
1A	K157FMI01.3-00	Cover, clutch	1	
2	K157FMI01.3.1-00	Lens, oil level	1	
3	K157FMI01-08A	Gasket, clutch cover	1	
3A	K157FMI01-08	Gasket, clutch cover	1	
4	K157FMI01-07	Pin 13x18	2	
5	K157FMI 01.4-00	Gasket	1	
6	GB5787-86	Bolt M6 x 30	9	
7	GB5787-86	Bolt M6 x 45	1	
8	K157FMI01-04	Plug, oil filler	1	
9	K157FMI01-03	Q-Ring d3.1x16.8	1	
10	K157FMI10-05	Plug, oil check	1	
11	K157FMI10-04A	Gasket	1	
12	K157FMI01-01B	Cover, magneto	1	
13	K157FMI01-05	Gasket, magneto cover	1	
14	K157FMI01-06	Pin 9x12	1	
15	GB5787-86	Bolt M6 x 30	2	
16	GB5787-86	Bolt M6 x 35	2	
17	GB5787-86	Bolt M6 x 40	2	
18	GB5787-86	Bolt M6 x 50	1	



FIG.E4



K166FML

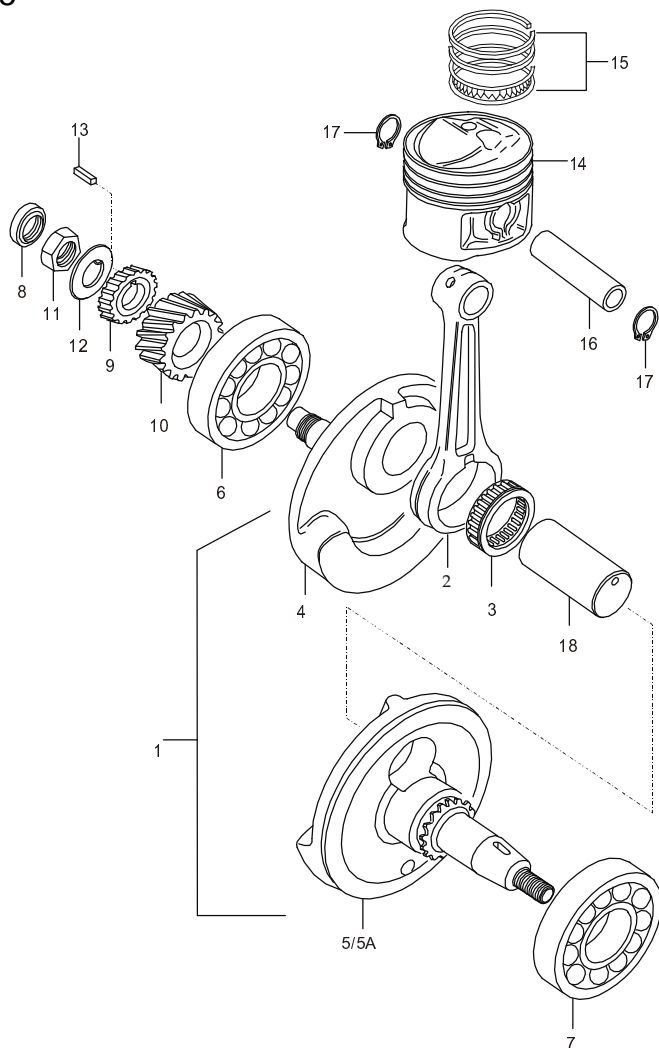
E4

FIG.E4

КРЫШКА КАРТЕРА

Ref.No.	Part No.	Description	Q'ty	Remarks
19	K157FMI01-09	Plug T.D.C M12 x 10	1	
20	K157FMI01-10A	Gasket	1	
21	K157FMI01-12A	Plug	1	
22	K157FMI01-13	O-Ring d3.1x22.7	1	
23	K166FML01-02	Cover, engine sprocket	1	
23A	K166FML01-02A	Cover, engine sprocket	1	
23B	K157FMI01-02A	Cover, engine sprocket	1	
24	GB5787-86	Bolt M5 x 25	1	
24A	GB5787-87	Bolt M5 x 60	1	
25	GB5787-86	Bolt M5 x 35	2	
26	92810qmn2000 K166FML.3-00	Retainer	1	

FIG.E5



K166FML

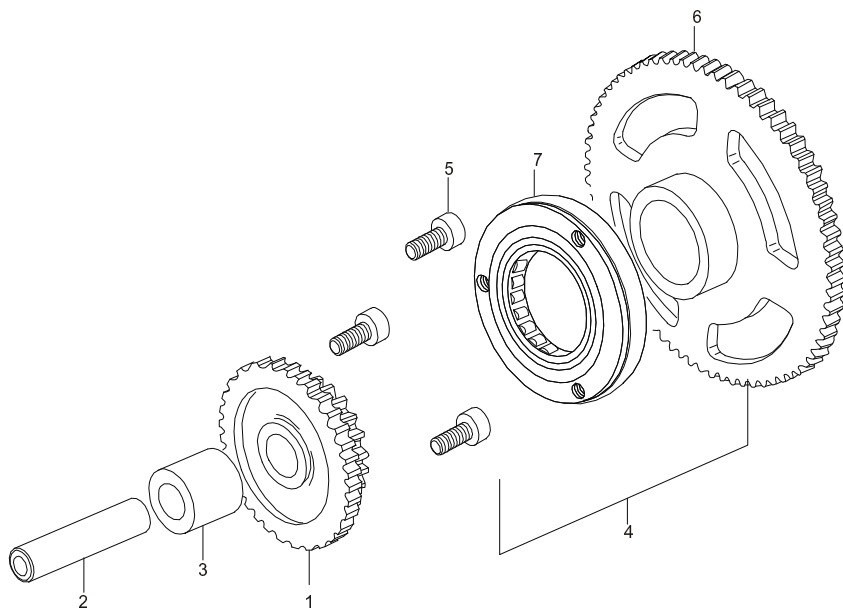
E5

FIG.E5

КОЛЕНВАЛ / ПОРШЕНЬ

Ref.No.	Part No.	Description	Q'ty	Remarks
1	K166FML03.1-00	Crankshaft assy	1	
2	K166FML03.1-04	Rod set, connecting	1	
3	K166FML03.1-06	Bearing	1	
4	K166FML03.1-02	Crankshaft RH	1	
5	K166FML03.1-01	Crankshaft LH	1	
5A	K166FML03.1-01A	Crankshaft LH	1	
6	K157FMI03-12	Bearing RH	1	
7	K157FMI03-11	Bearing LH	1	
8	K157FMI03-18	Oil seal RH	1	
9	K166FML03-15	Gear, oil pump drive	1	
10	K166FML03-13	Gear, primary drive	1	
11	K166FML03-17	Nut	1	
12	K166FML03-16	Lock washer	1	
13	K166FML03-14	Key, gear	1	
14	K166FML03-05A	Piston	1	
15	K166FML03-06/07/08	Ring set, piston	1	
16	K166FMLI03-09	Pin	1	
17	K166FML03-19	Circlip	2	
18	K166FML.03.1-03	Pin	1	

FIG.E6



E6

FIG.E6

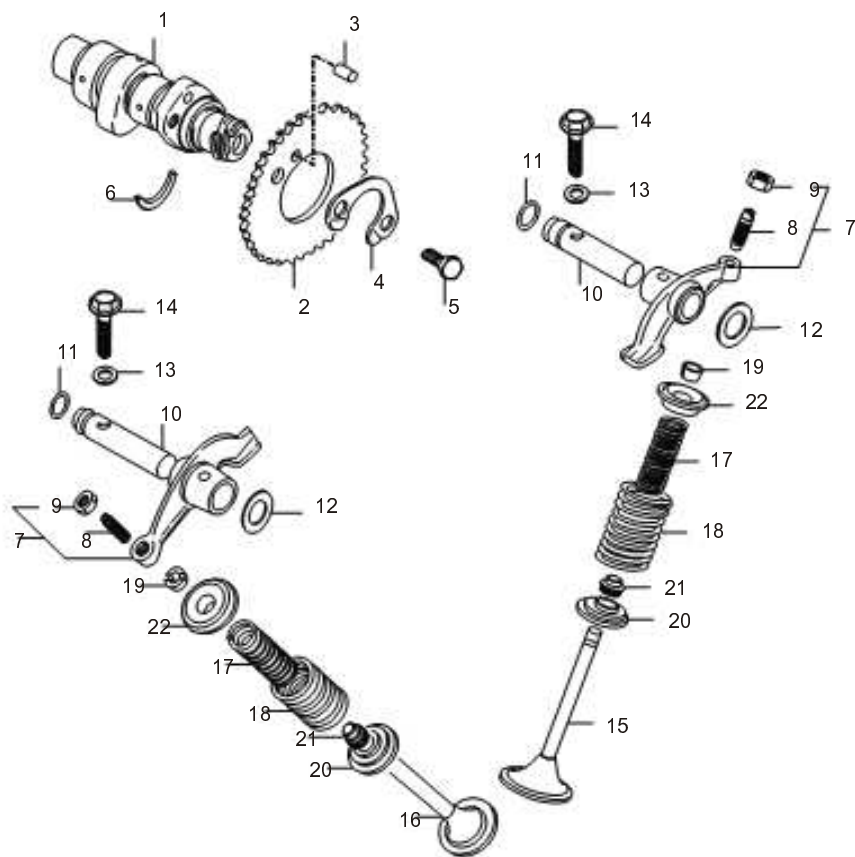
ПРИВОД СТАРТЕРА

Ref.No.	Part No.	Description	Q'ty	Remarks
1	K166FML06D-01	Gear, starter idle	1	
2	K157FMI06D-03	Pin	1	
3	K157FMI06D-02	Spacer	1	
4	K166FML06D-00A	Clutch set, starter	1	
5	GB70-85	Screw M8 x 16	3	
6	K166FML06D.2-00A	Gear, starter idle	1	
7	K166FML06D.3-00	Gear, starter idle	1	



K166FML

FIG.E7



K166FML

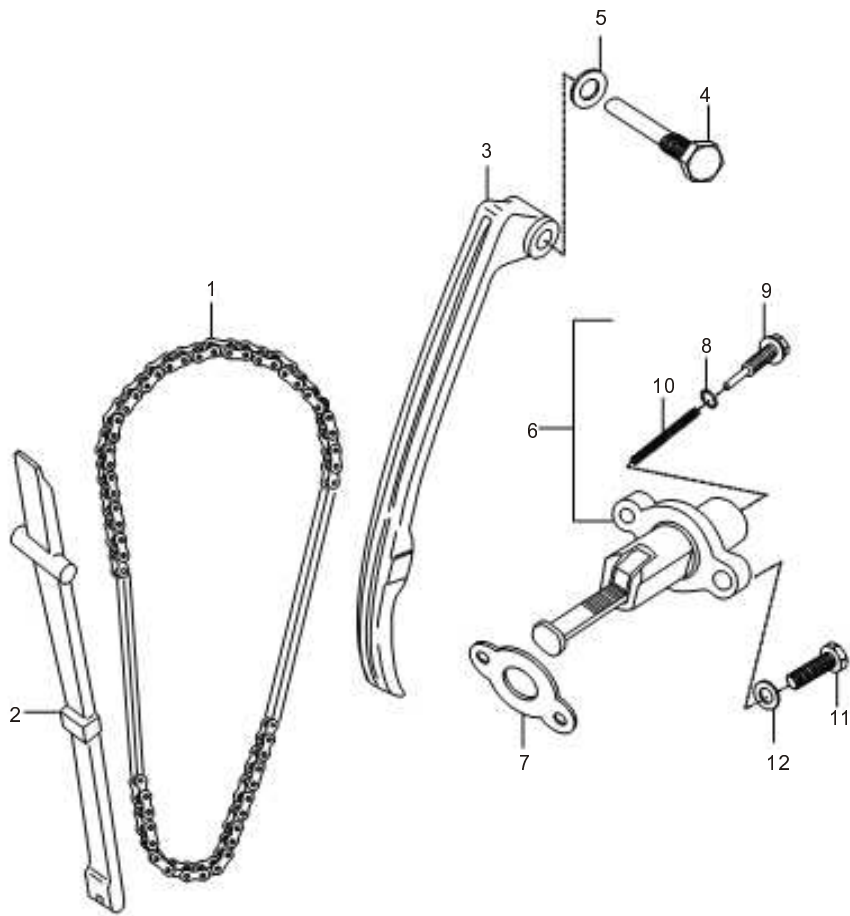
E7

FIG.E7

РАСПРЕДВАЛ / КЛАПАНА

Ref.No.	Part No.	Description	Q'ty	Remarks
1	K166FML02-09	Cam shaft	1	
2	K157FMI02-27A	Sprocket NT: 32	1	
3	K157FMI02-28	Pin 5 x 8	1	
4	K157FMI02-29	Washer	1	
5	K157FMI02-30	Bolt M6 x 10.5	2	
6	K157FMI02-08	C- Ring	1	
7	K157FMI02.6-00	Arm, valve rocker intake	2	
8	K157FMI02.6-02	Screw M6 x 0.75	2	
9	K157FMI02.6-01	Nut M6 x 0.75	2	
10	K157FMI02-01	Shaft, rocker arm	2	
11	K157FMI02-46	O-Ring	2	
12	K157FMI02-04	O-Ring Wave washer	2	
13	K157FMI01.4-00	Gasket	2	
14	K157FMI02-47A	Bolt M6 x 25	2	
15	K166FML02-22	Valve, intake	1	
16	K166FML02-13	Valve, exhaust	1	
17	K157FMI02-14	Spring, valve inner	2	
18	K157FMI02-15	Spring, valve outer	2	
19	K157FMI02-17	Cotter, valve	4	
20	K157FMI02-21	Seat, spring	2	
21	K157FMI02-16	Oil seal	2	
22	K157FMI02-18	Retainer, spring	2	

FIG.E8



K166FML

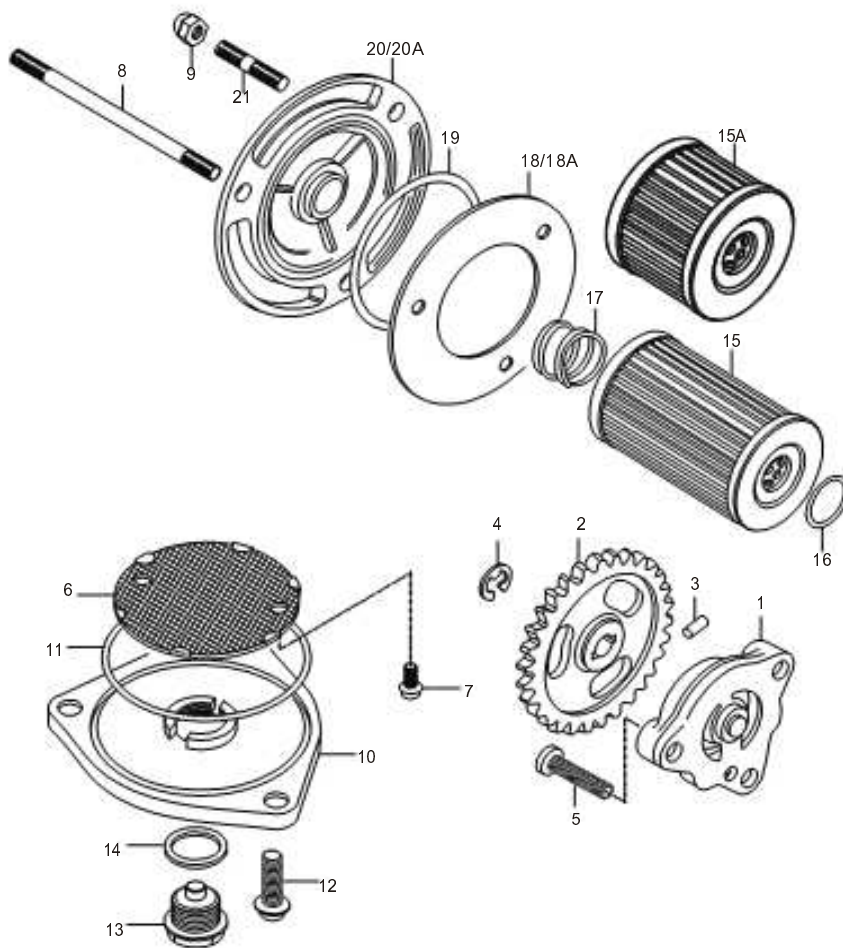
E8

FIG.E8

ЦЕПЬ РАСПРЕДВАЛА

Ref.No.	Part No.	Description	Q'ty	Remarks
1	K166FML02.13-00	Chain, cam shaft drive	1	
2	K166FML02.12-00	Guide, cam chain	1	
3	K166FMI02.11-00	Tensioner, cam chain	1	
4	K157FMI02-26	Bolt M8x39,5	1	
5	K157FMI02-25	Washer	1	
6	K166FML02.10-00	Adjuster assy, tensioner	1	
7	K157FMI02-24	Gasket, adjuster	1	
8	K166FML02.10-02	O-Ring	1	
9	K166FML02.10-01	Screw	1	
10	K166FML02.10-05	Spring	1	
11	GB5783-86	Bolt M6x20	2	
12	GB848-85	Washer	2	

FIG.E9



K166FML

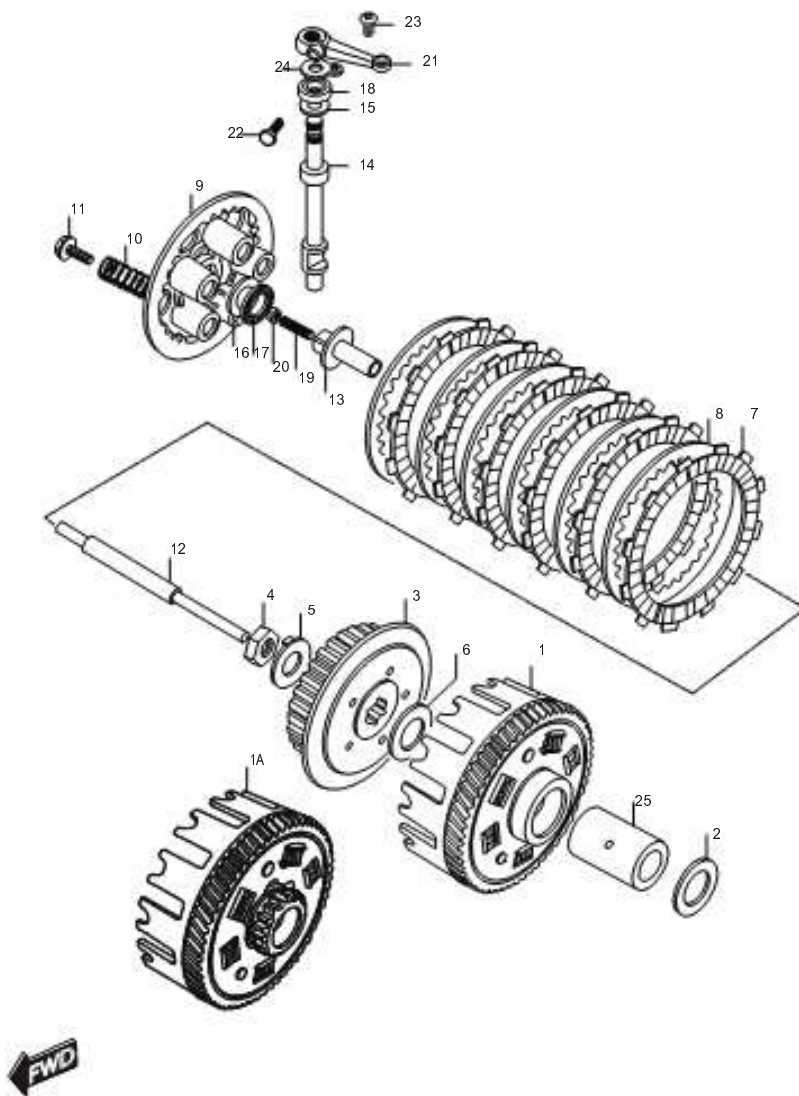
E9

FIG.E9

MACJO HACOC

Ref.No.	Part No.	Description	Q'ty	Remarks
1	K157FMI12.2-00	Pump, engine oil	1	
2	K157FMI12-5	Gear, driven	1	
3	K157FMI12-6	Pin	1	
4	K157FMI12-8	Circlip	1	
5	GB818-85	Screw M6 x 25	3	
6	K157FMI12.3-00	Strainer, engine oil	1	
7	GB9074.4-88	Screw M5 x 12	2	
8	GB900-88	Stud poit M6 x85	1	
9	GB802-88	Nut M6	3	
10	K157FMI12-10	Cap	1	
11	K157FMI12-7	O-Ring 2.4 x60.5	1	
12	GB5788-86	Bolt M6 x 20	3	
13	K157FMI12-9	Plug, drain M14 x 12	1	
14	K157FMI10-04A	Gasket	1	
15	K166FML12.1-00	Filter, engine oil	1	
15A	K157FMI12.1-00	Filter, engine oil	1	
16	K157FMI12-1	O-Ring d1.9x13	1	
17	K157FMI12-4	Spring		
18	K166FML12-11	Gasket	1	
18A	K157FMI12-11	Gasket	1	
19	K157FMI12-3	O-Ring d2.4x52.6	1	
20	K166FML12-02	Cap	1	
20A	K157FMI12-02	Cap	1	
21	GB900-88	Stud bolt M6 x 12	2	

FIG.E10



K166FML

E10

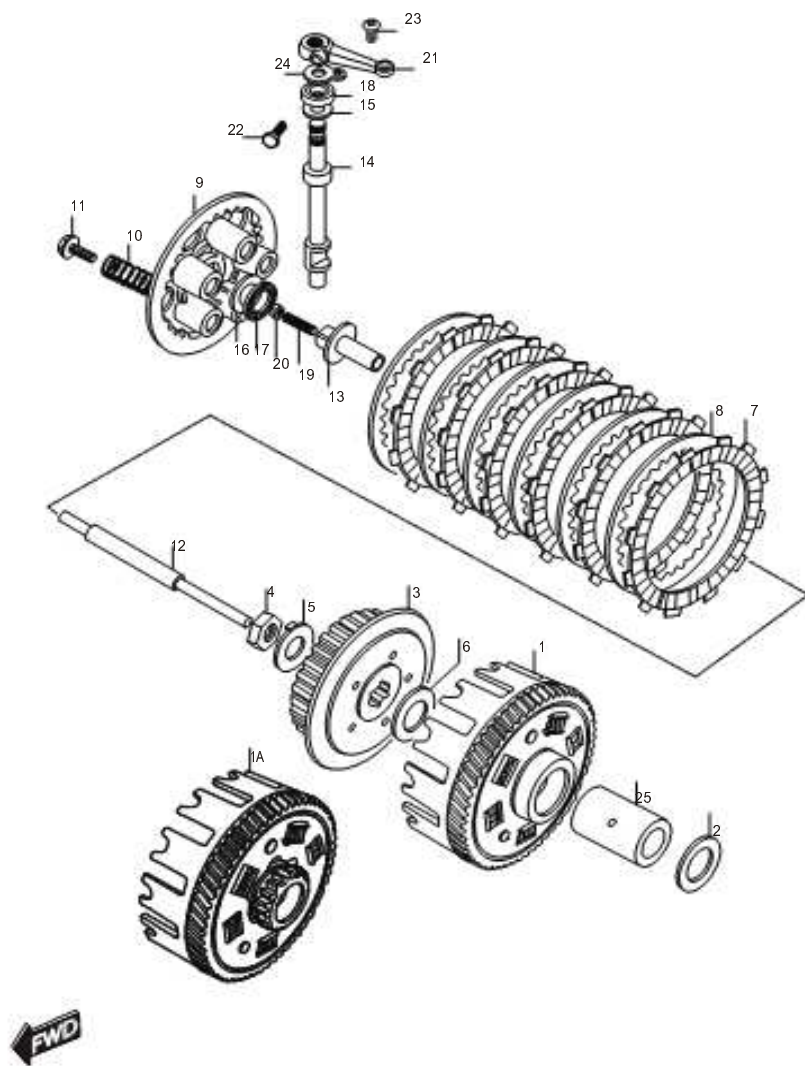
FIG.E10

СЦЕПЛЕНИЕ

Ref.No.	Part No.	Description	Q'ty	Remarks
1	K166FML05.1-00	Gear assy, primary driven	1	
1A	K166FML05.1-00A	Gear assy, primary driven	1	
2	K157FMI05-16	Washer	1	
3	K166FML05-13	Hub, sleeve	1	
4	K157FMI05-08	Nut M16	1	
5	K157FMI05-09	Lock washer	1	
6	K166FML05-14	Washer	1	
7	K157FMI05-11	Plate, drive	6	
8	K166FML05-12	Plate, driven	6	
9	K157FMI05-10	Disk, pressure	1	
10	K157FMI05-02	Spring	5	
11	K157FMI05-01	Bolt M5x16	5	
12	K157FMI05.2-00	Rod, push	1	
13	K157FMI05-07	Peace	1	
14	K157FMI05-17	Cam shaft	1	
15	K157FMI05-19	Washer	1	
16	K157FMI05-05	Washer	1	
17	K157FMI05-06	Thrust bearing	1	
18	K157FMI05-18	Oil seal	1	
19	K157FMI05-03	Screw M6x25	1	



FIG.E10



K166FML

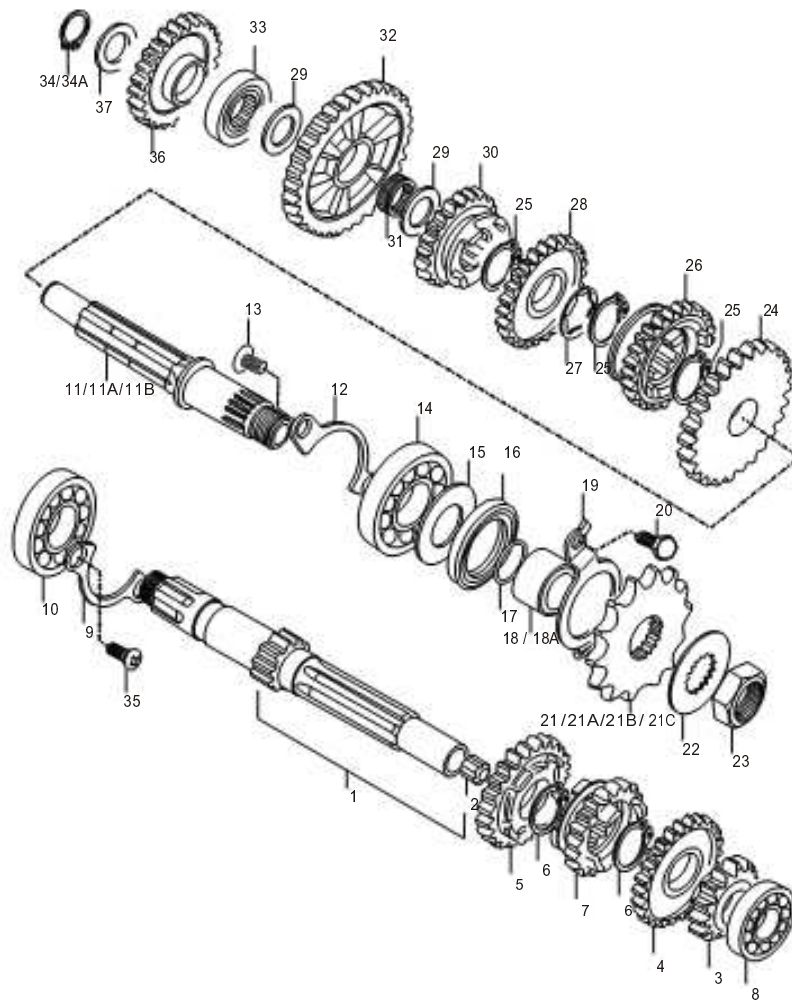
E10

FIG.E10

СЦЕПЛЕНИЕ

Ref.No.	Part No.	Description	Q'ty	Remarks
20	K157FMI05-04	Nut M6	1	
21	K157FMI05-21	Arm, release	1	
22	GB5783-86	Screw M6 x 16	1	
23	K157FMI05-20	Screw	1	
24	K157FMI05-24	Washer	1	
25	K157FMI05-15	Spacer, clutch	1	

FIG.E11



**FWD**  
K166FML

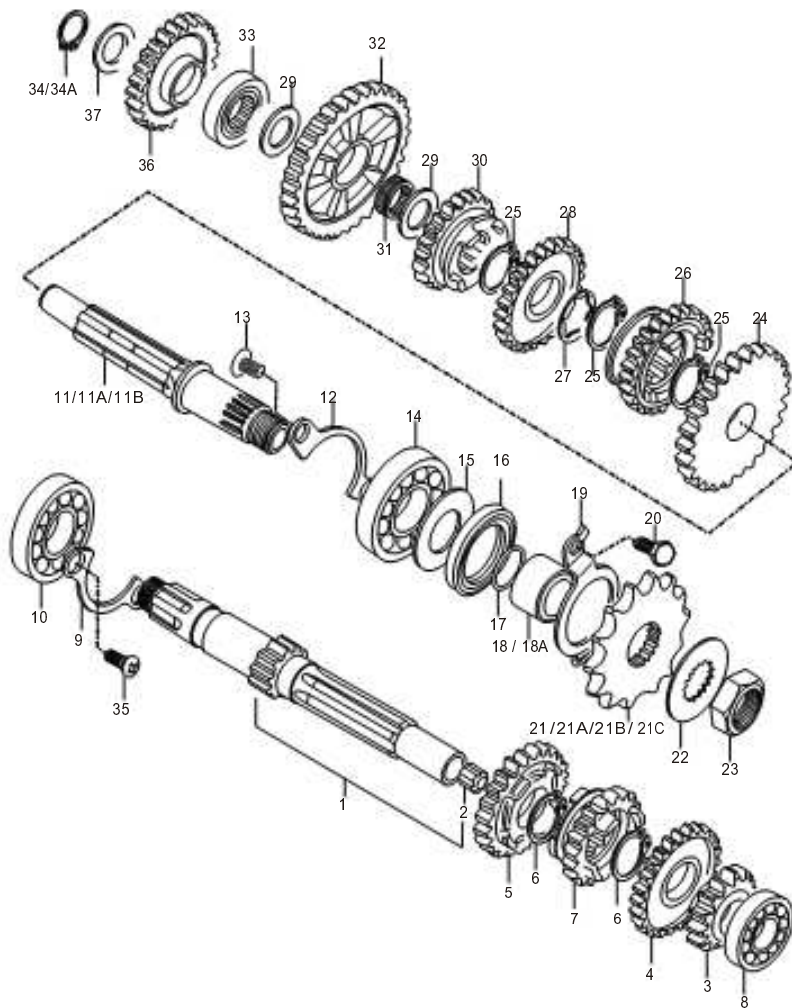
E11

FIG.E11

ТРАНСМИССИЯ

Ref.No.	Part No.	Description	Q'ty	Remarks
1	K166FML04.3-00	Countershaft NT:11	1	
2	K166FML04.1-01	Bush	1	
3	K166FML04-01	Gear, 2 nd drive	1	
4	K166FML04-02	Gear, 5 drive	1	
5	K166FML04-04	Gear, 4 th drive	1	
6	K157FMI04-10	Circlip	2	
7	K166FML04-03	Gear, 3 th drive	1	
8	GB/T276-94	Bearing, LH 6002-Z	1	
9	K157FMI04-01	Holder, bearing	1	
10	K157FMI04-02	Bearing, RH	1	
11	K166FML04.2-00	Driveshaft	1	
11A	K166FML04.2-00B	Driveshaft	1	
11B	K166FML04.2-00A	Driveshaft	1	
12	K157FMI04-01	Holder, bearing	1	
13	GB819-85	Screw M6x12	2	
14	GB/T276-94	Bearing, LH	1	
15	K166FML04-20	Washer	1	
16	K166FML04-14	Oil seal, LH	1	
17	K166FML04-19	O-Ring d2x21.5	1	
18	K166FML04-15	Spacer	1	

FIG.E11



K166FML

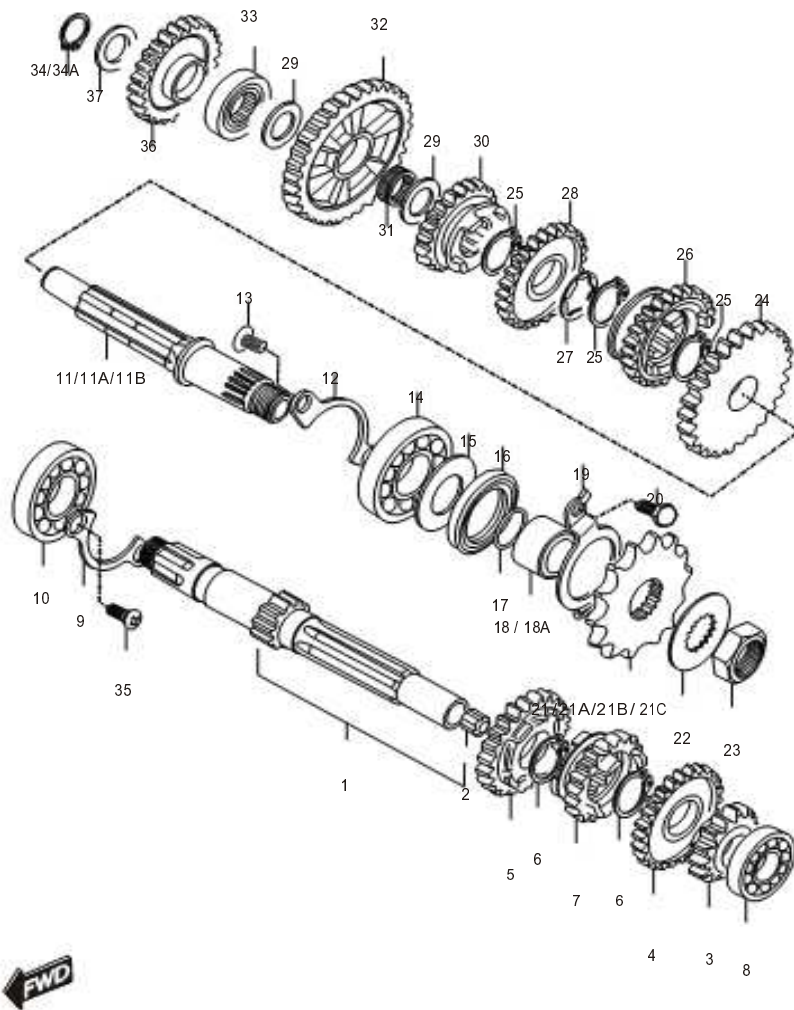
E11

FIG.E11

ТРАНСМИССИЯ

Ref No.	Part No.	Description	Q'ty	Remarks
18A	K166FML04-15A	Spacer	1	
19	K157FMI04-13	Holder, oil seal	1	
20	GB5784-86	Bolt M6x10	2	
21	K166FML04-18	Sprocket NT 13	1	
21A	K166FML04-18A	Sprocket NT 15	1	
21B	K166FML04-18B	Sprocket NT 15	1	
21C	K166FML04-18C	Sprocket NT 12	1	
22	K166FML04-17	Washer	1	
23	K166FML04-16	Nut	1	
24	K166FML04.1-00	Gear, 2 nd driven	1	
25	HIE41QMB04-11	Circlip	3	
26	K166FML04-12	Gear, 5 th driven	1	
27	K166FML04-11	Wsher	1	
28	K166FML04-10	Gear, 3 th driven	1	
29	K166FML04-07	Washer	2	
30	K166FML04-08	Gear, 4 th driven	1	
31	K166FML04-13	Bearing	1	
32	K166FML04-06	Gear, 1 st driven	1	
33	K166FMI04-05	Bearing, RH	1	
34	GB894.1-86-17	Circlip	1	

FIG.E11



E11

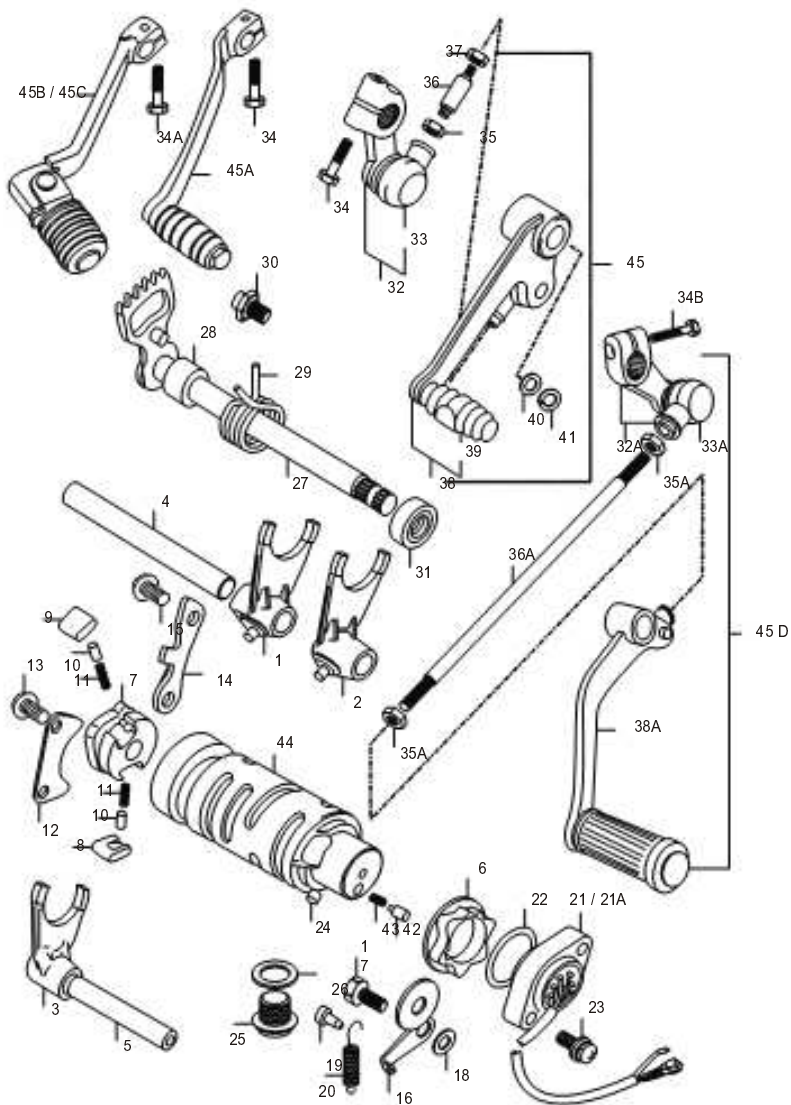
FIG.E11

ТРАНСМИССИЯ

Ref.No.	Part No.	Description	Q'ty	Remarks
34A	GB894-86-15	Circlip	1	
35	GB819-85	Screw M6x12	2	
36	K157FMI04.3-00	Gear, idle	1	
37	K157FMI04-03	Washer	1	

K166FML

FIG.E12



K166FML

E12

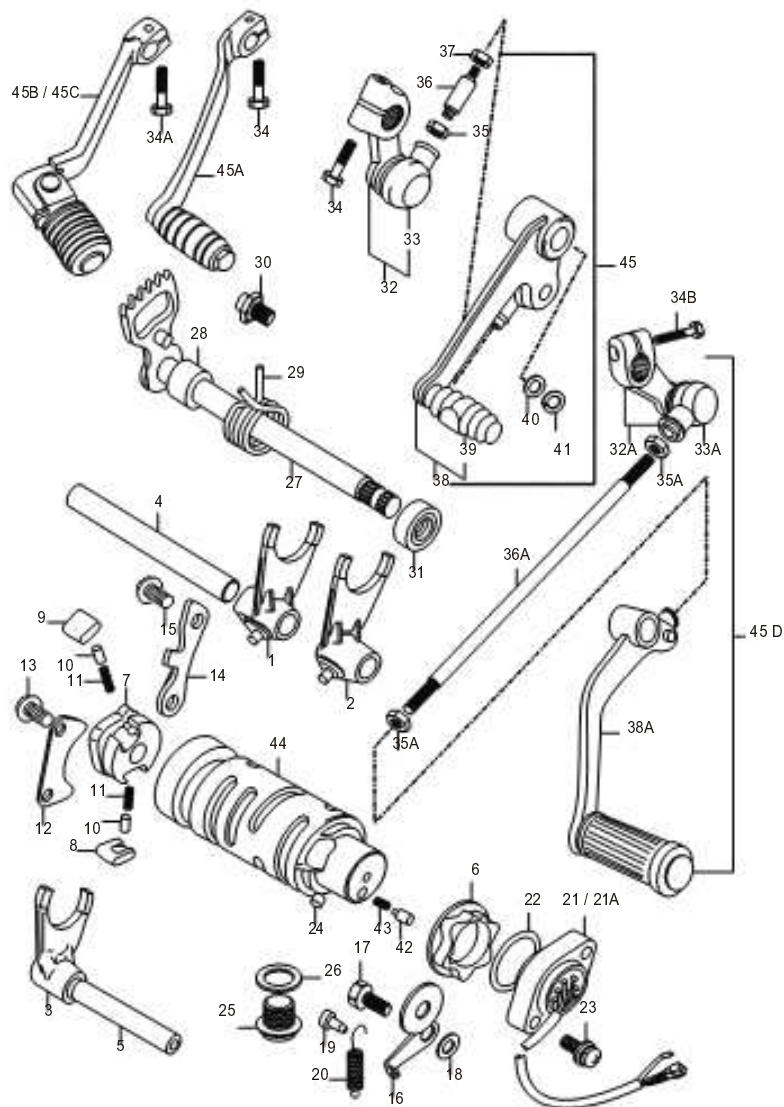
FIG.E12

МЕХАНИЗМ ВЫБОРА ПЕРЕДАЧ

Ref.No.	Part No.	Description	Q'ty	Remarks
1	K166FML10-10	Fork, gear shiftin	1	1
2	K166FML10-11	Fork, gear shiftin	1	1
3	K166FML10-09	Fork, gear shiftin	3	1
4	K157FMI10-21	Shaft, fork	1	1
5	K157FMI10-10	Shaft, fork	2	1
6	K166FML10-19	Plate, stopper	1	
7	K157FMI10-07	Gear, cam driven	1	
8	K157FMI10-13	Pawl	1	1
9	K157FMI10-29	Pawl	2	1
10	K157FMI10-14	Pin	2	
11	K157FMI10-15	Spring	2	
12	K157FMI10-08	Lifter, pawl	1	
13	GB819-85	Screw M6 x 12	2	
14	K157FMI10-25	Guide, cam	1	
15	GB819-85	Screw M6 x 12	2	
16	K166FML10.1-00	Stopper, cam	1	
17	K157FMI10-11	Bolt M6 x 16	1	
18	K157FMI10-12	Washer	1	
19	K1570FMI01-14	Hook	1	
20	K166FML10-06	Spring	1	



FIG.E12



K166FML

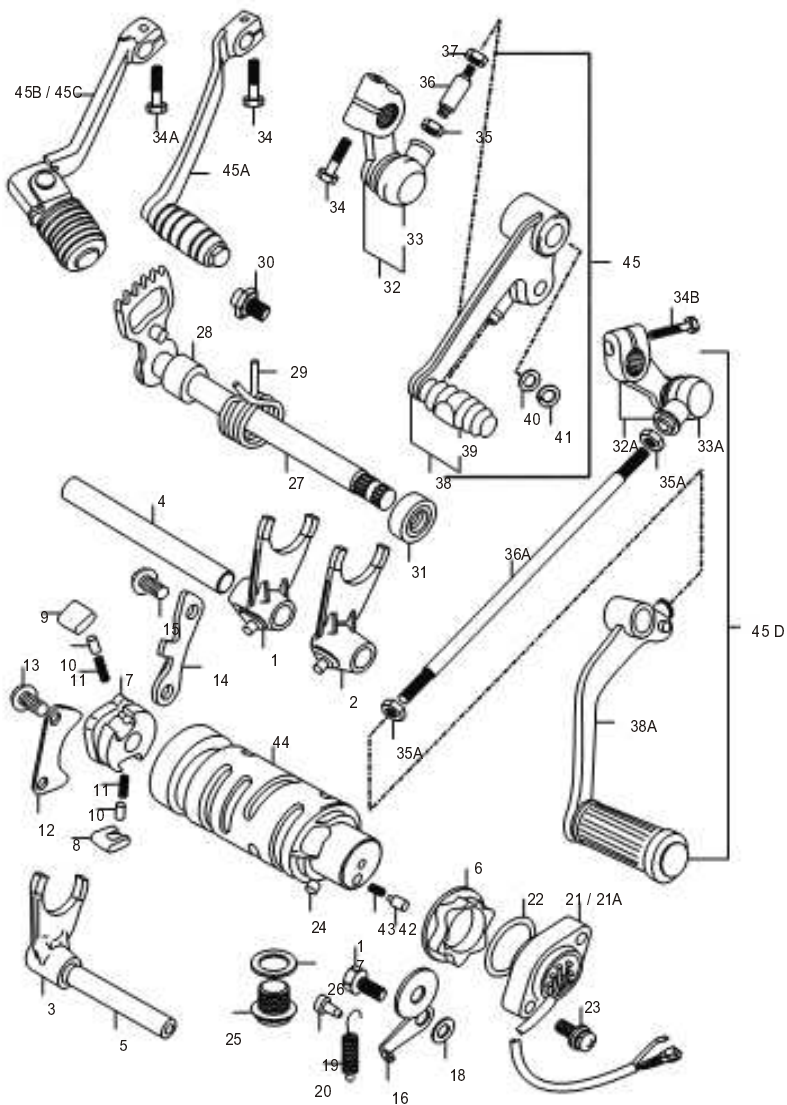
E12

FIG.E12

МЕХАНИЗМ ВЫБОРА ПЕРЕДАЧ

Ref.No.	Part No.	Description	Q'ty	Remarks
21	K157FMI10.6-00	Terminal base assy	1	
21A	K157FMI10.6-00B	Terminal base assy	1	
22	K157FMI10-16	O-Ring d2.4x26.2	1	
23	GB9074.4-88	Screw M5 x 20	2	
24	GB119-86	Pin 4 x 6	1	
25	K157FMI10-05	Plug, cam stopper M14 x 12	1	
26	K157FMI10-04A	Washer	1	
27	K157FMI10.5-00	Shaft, gear shifting	1	
28	K157FMI10-23	Spacer	1	
29	K157FMI10-26	Spring	1	
30	K157FMI10-24	Stopper, arm	1	
31	CIE50FMI10-12	Oil seal	1	
32	K157FMI10.2-00	Arm	1	
32A		Arm	1	
33		Cover, dust	1	
33A		Cover, dust	1	
34	GB5784-86	Bolt	1	
34A	01404Q060201 GB/T5781-2000	Bolt M6 x 20	1	
34B	GB5784-86	Bolt	1	
35	GB41-86	Nut R	1	

FIG.E12



K166FML

E12

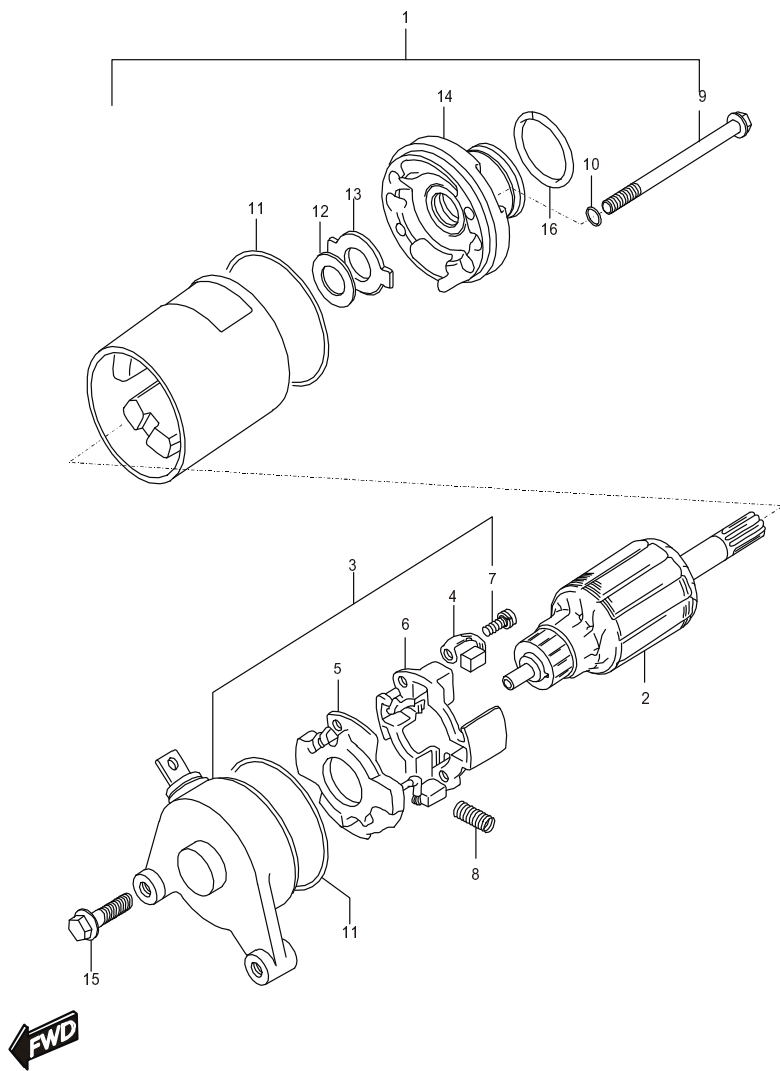
FIG.E12

МЕХАНИЗМ ВЫБОРА ПЕРЕДАЧ

Ref.No.	Part No.	Description	Q'ty	Remarks
35A		Nut	2	
36	K157FMI10-27	Rod	1	
36A		Rod	1	
37	GB41-86	Nut L	1	
38	K157FMI10.4-00	Lever assy	1	
38A		Lever assy	1	
39		Cover	1	
40	K157FMI10-28	Washer	1	
41	K157FMI10-01	Circlip	1	
42	CIE50FMI06-10	Contact	1	
43	CIE50FMI06-09	Spring	1	
44	K166FML10.3-00	Cam, gear shifting	1	
45	K157FMI10.4-00	Lever assy	1	
45A	K157FMI10.4-00A	Lever assy	1	
45B	25600QMNZ000	Lever assy	1	
45C	QM200GY.10.1-00 25600QMN2000	Lever assy	1	
45D	QM200GY-B.10.1-00	Lever assy	1	



FIG.E13



K166FML

E13

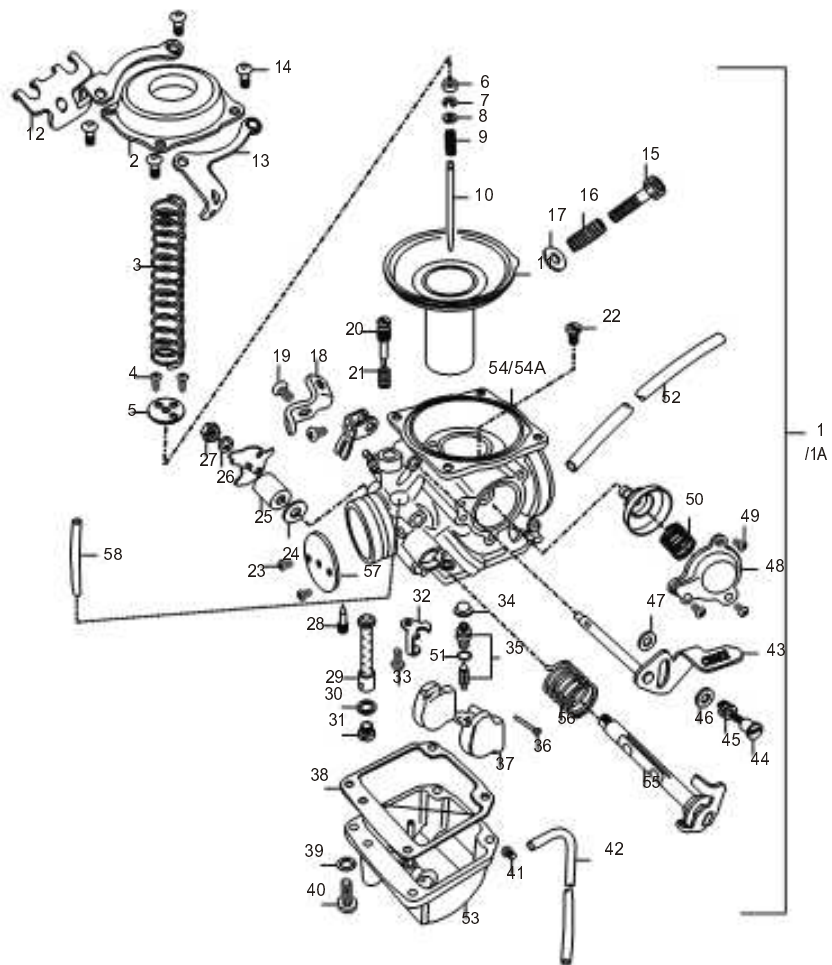
FIG.E13

MOTOP CTAPTEPA

Ref.No.	Part No.	Description	Q'ty	Remarks
1	K166FML06D.1-00	Motor assy, starting	1	
2		Armature	1	
3		Frame assy commutator, end	1	
4		Brush	2	
5		Brush sub assy	1	
6		Holder, brush	1	
7		Screw	2	
8		Spring	4	
9		Bolt	2	
10		O-Ring	2	
11		O-Ring	2	
12		Shtm	1	
13		Plate, lock	1	
14		Bracket	1	
15	GB5787-86	Bolt M6 x 30	2	
16	K157FMI06D.1-01	O-Ring	1	



FIG.E15



  
K166FML

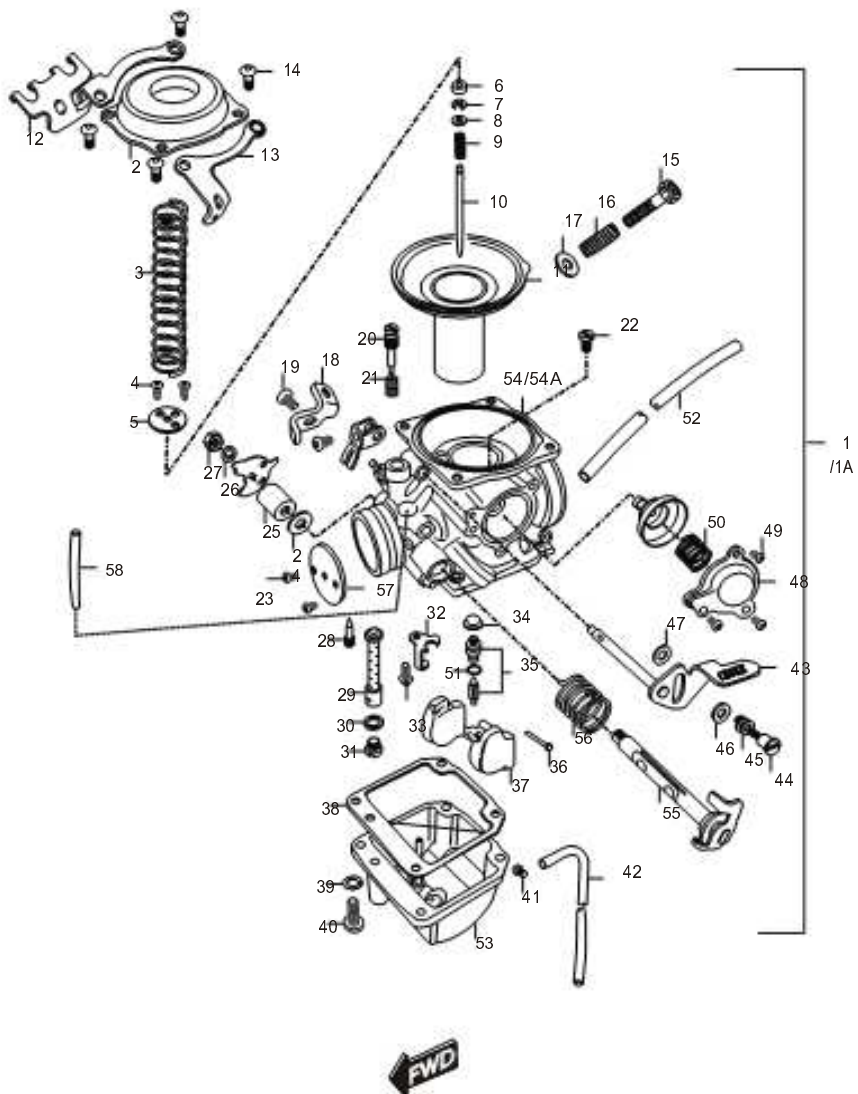
E15

FIG.E15

КАРБЮРАТОР

Ref.No.	Part No.	Description	Q'ty	Remarks
1	K166FML08-00	Carburetor assy	1	
1A	K166FML08-00A	Carburetor assy	1	
2		Cover	1	
3		Spring, Throttle valve	1	
4		Screw	2	
5		Plate	1	
6		Washer	1	
7		E-Ring	1	
8		Washer	1	
9		Spring	1	
10		Needle, jet	1	
11		Diaphragm assy	1	
12		Plate I	1	
13		Plate II	1	
14		Screw	4	
15		Adjuster	1	
16		Spring	1	
17		Washer	1	
18		Frame	1	
19		Screw	1	

FIG.E15



E15

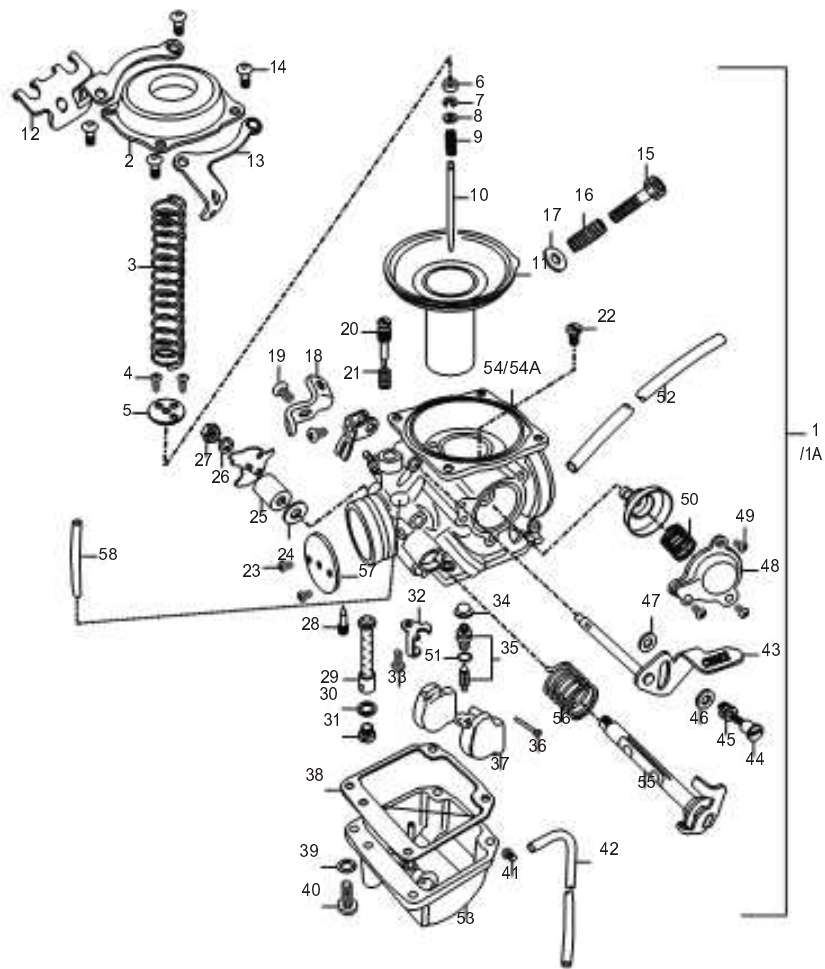
FIG.E15

КАРБЮРАТОР

Ref.No.	Part No.	Description	Q'ty	Remarks
20		Screw, pilot	1	
21		Spring	1	
22		Jet, pilot air	1	
23		Screw	2	
24		Washer	1	
25		Bush	1	
26		Washer	1	
27		Nut	1	
28		Jet, idle	1	
29		Jet, needle	1	
30		Washer	1	
31		Jet, main	1	
32		Plate	1	
33		Screw	1	
34		Net	1	
35		Valve assy, needle	1	
36		Pin	1	
37		Float	1	
38		Gasket	1	
39		Washer	4	

K166FML

FIG.E15



 K166FML

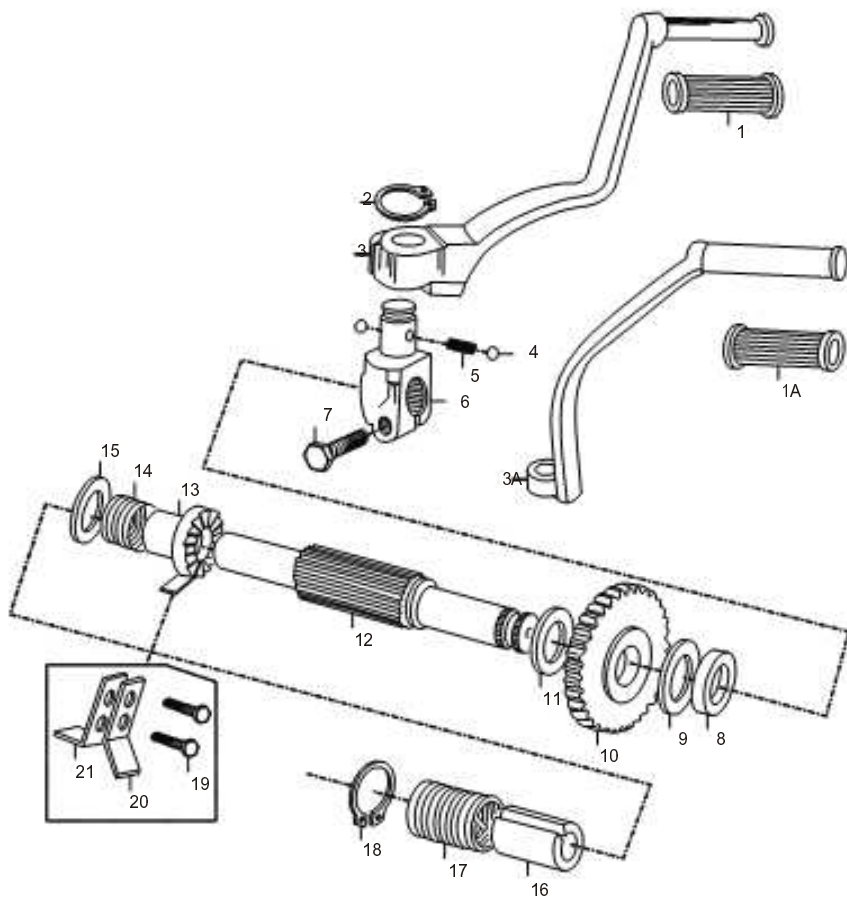
E15

FIG.E15

КАРБИОПАТОП

Ref.No.	Part No.	Description	Q'ty	Remarks
40		Screw	4	
41		Screw, drain	1	
42		Hose, overflow	1	
43		Shaft assy, choke	1	
44		Screw, air	1	
45		Spring	1	
46		Washer	1	
47		Washer	1	
48		Cover	1	
49		Screw	3	
50		Spring	1	
51		O-Ring	1	
52		Hose, ventilating	1	
53		Cover	1	
54		Carburetor body	1	
54A		Carburetor body	1	
55		Knob	1	
56		Spring	1	
57		Cover	1	
58		Hose, ventilating	1	

FIG.E16



K166FML

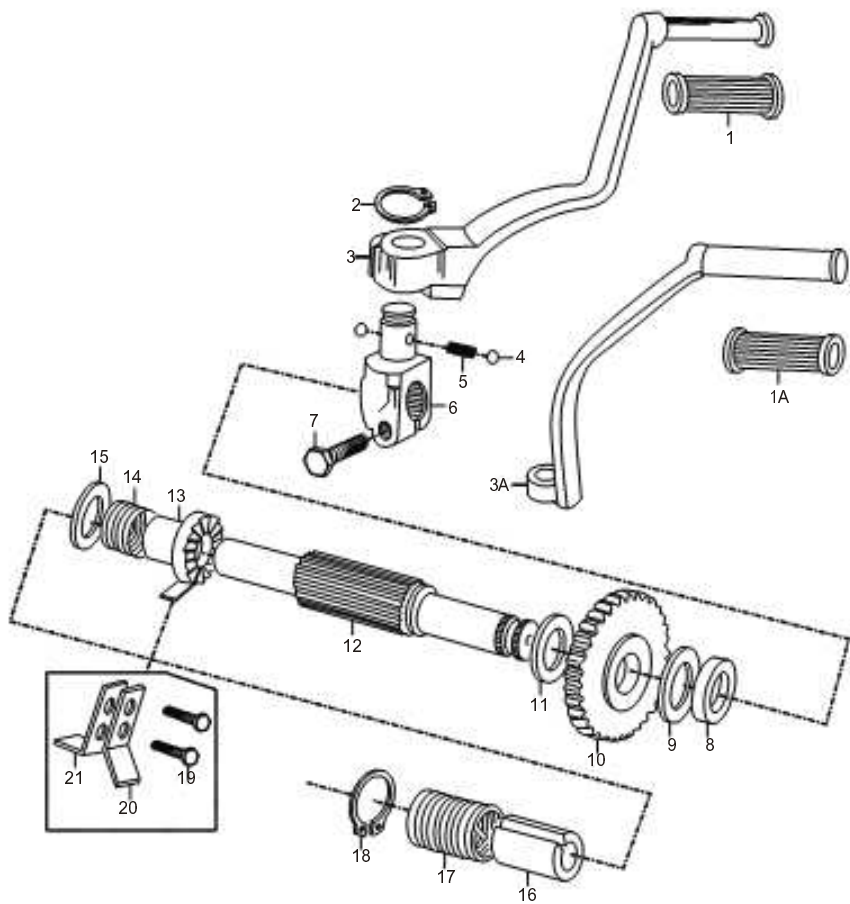
E16

FIG.E16

КИК СТАРТЕР

Ref.No.	Part No.	Description	Q'ty	Remarks
1	K157FML06.02-04	Rubber	1	
1A		Rubber	1	
2	GB894-85	Lock washer 15	1	
3	K157FML06.02-01	Lever kick	1	
3A		Lever kick	1	
4	GB308-77	Ball	2	
5	K157FML06.02-02	Spring	1	
6	K157FML06.02-03	Socket, kick starter lever	1	
7	GB5782-86	Bolt	1	
8	K157FML06-10	Oil seal	1	
9	K157FML06-09	Washer	1	
10	K157FML06.01-01	Gear, starter drive	1	
11	K157FML06-08	Washer	1	
12	K157FML06-01	Shaft kick starter	1	
13	K157FML06-07	Ratchet kick starter	1	
14	K157FML06-06	Spring	1	
15	K157FML06-05	Washer	1	
16	K157FML06-04	Guide shaft spring	1	
17	K157FML06-03	Spring	1	
18	K157FML06-02	Spring	1	

FIG.E16



E16

FIG.E16

КИК СТАРТЕР

Ref.No.	Part No.	Description	Q'ty	Remarks
19	GB5784-86	Bolt M8 x 20	2	
20	K157FML06-11	Plate	1	
21	K157FML06-12	Plate	1	



K166FML