



КАТАЛОГ ЗАПЧАСТЕЙ К ДВИГАТЕЛЮ 139QMB
(4-такта , объем 49 см .куб .)

PHOENIX50 (QM50QT-2)

NEXT50 (QM50QT-2M)

SOLO50 (QM50QT-6D)

HAPPY50 (QM50QT-6S)

Внимание!

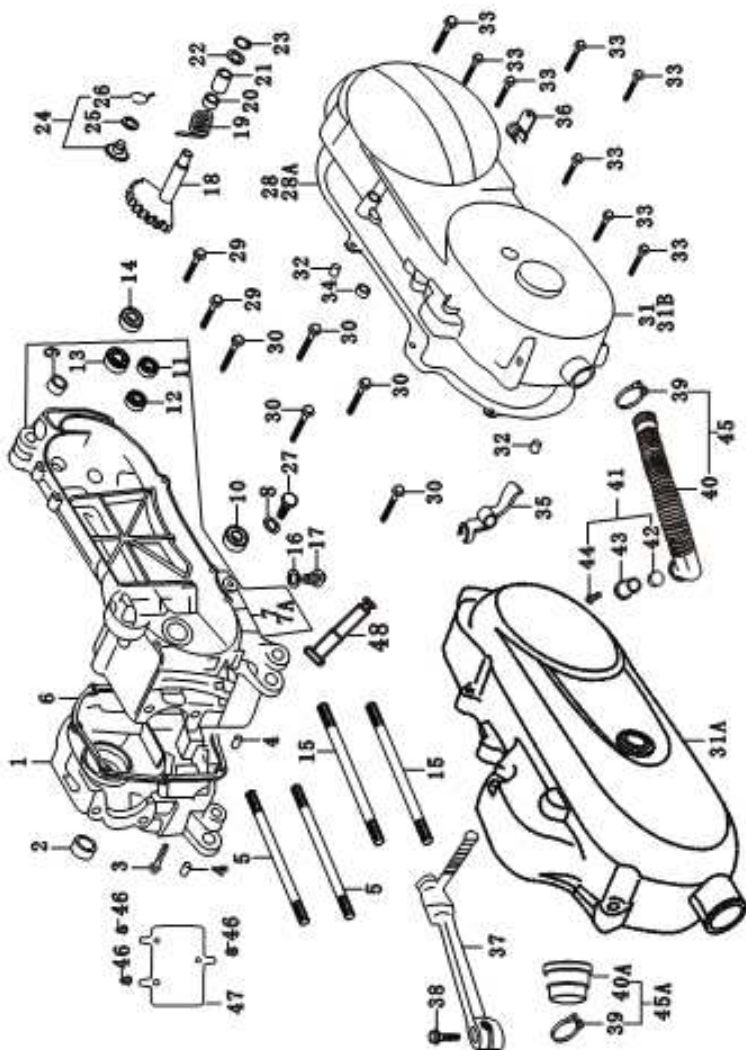
Для заказа запчастей необходимо в каталоге найти страницу с изображением интересующей вас детали. В левом верхнем углу написан код рисунка. Номер детали указан возле изображения детали. Например для заказа прокладки глушителя, для модели FORTUNE 50, вы пишете в заявке – "FIG.13 – 8 Прокладка глушителя" (или название на английском из каталога) и необходимое количество. Если группа деталей объединена скобкой, это значит, что детали продаются в комплекте.

После того, как вы определились с выбором детали, вы можете сделать заказ, уточнить наличие на складе, цену, позвонив по телефонам указанным на [сайте](#) или отправьте запрос на наш e-mail: repair@skybike.com.ua

КАТАЛОГ ЗАПЧАСТЕЙ

Ref.NO.	НАЗВАНИЕ	
FIG.E1	КАРТЕР	1
FIG.E2	ГОЛОВКА ЦИЛИНДРА / КРЫШКА ГОЛОВКИ	4
FIG.E3	ЦИЛИНДР/ КОЛЕНВАЛ /ПОРШЕНЬ	7
FIG.E4	КРЫШКА КАРТЕРА ПРАВАЯ	8
FIG.E5	КАРБЮРАТОР	9
FIG.E5A	КАРБЮРАТОР	11
FIG.E6	РЕМЕНЬ	15
FIG.E7	СТАРТЕР	18
FIG.E8	МАСЛО-НАСОС	19
FIG.E9	КРЫЛЬЧАТКА/МАГНЕТТО	20
FIG.E10	ТРАНСМИССИЯ	22

FIG.E1



139QMB

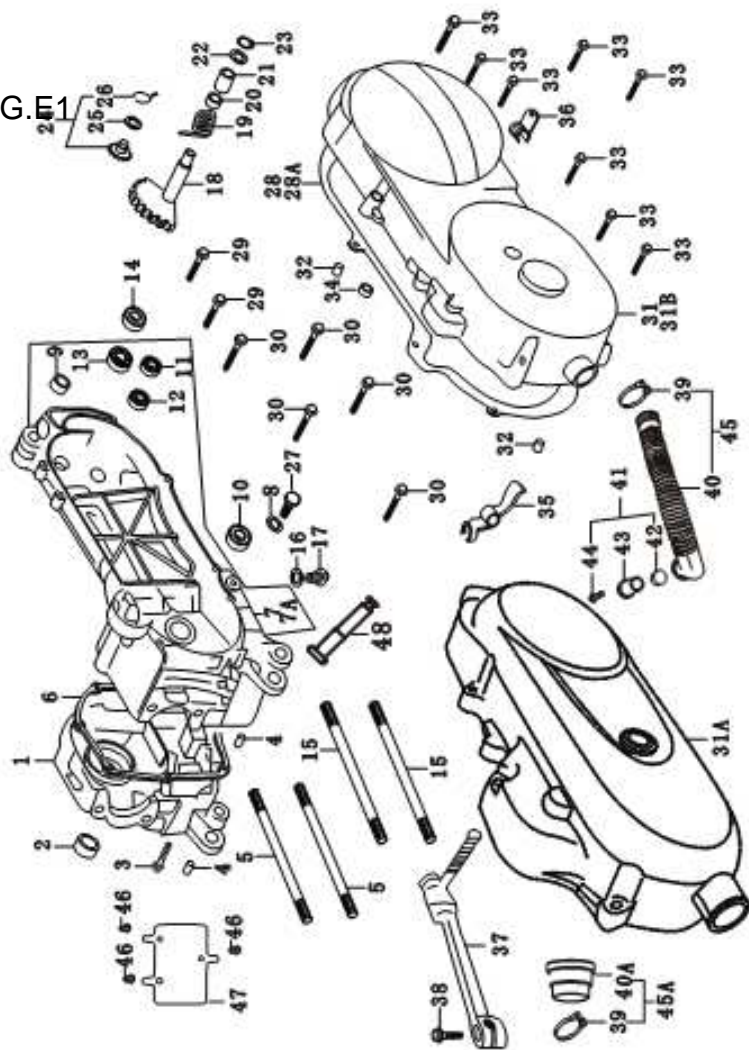
E1

FIG.E1

KAPTEP

Ref.No.	Part No.	Description	Q'ty	Remarks
1	139QMB.01.2-00	Crankcase, right	1	
2	139QMB.01.5-00	Front rubber bush	2	
3	GB5787-86	Screw M6x45	1	
4	139QMB.01-14	Dowel pin 8x14	2	
5	139QMB.02-34	Stud 7x168	2	
6	139QMB.01-04A	Gasket, crankcase	1	
7	139QMB.01.1-00	Crankcase, left	1	
7A	139QMB-C.01.1-00	Crankcase, left	1	
8	139QMB.01-11	Washer 8	2	
9	139QMB.01.4-00	Rear rubber bush	1	
10	139QMB.03-17	Oil seal 19.8x30x5	1	
11	GB/T276-94	Bearing 6303X3	1	
12	GB/T276-94	Bearing 6201	1	
13	GB/T276-94	Bearing 6203	1	
14	139QMB.03-16	Oil seal 16.4x30x5	1	
15	139QMB.02-30	Stud M7x176	2	
16	244FML01-15	Washer 12	1	
17	139QMB01-10	Bolt M12x1.25	1	
18	139QMB.06.1-00B	Shaft, kick starter	1	
19	139QMB.06-03	Spring, kick return	1	

FIG.E1

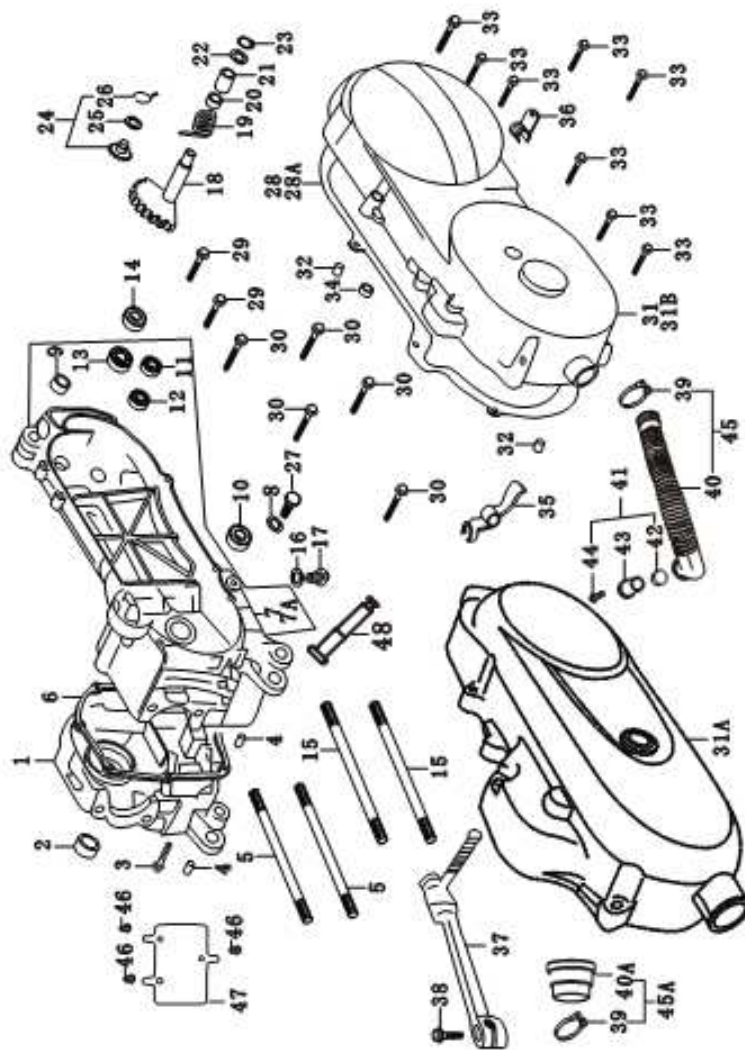


E1

Ref.No.	Part No.	Description	Q'ty	Remarks
20	139QMB.06-04	Cushion bush	1	
21	139QMB.06-02	Bush, kick shaft	1	
22	139QMB.06-01	Washer, kick shaft	1	
23	GB894.1-86	Circlip 14	1	
24	139QMB.06.3-00B	Idle gear, kick driven	1	
25	139QMB.06-05	Washer 10	1	
26	139QMB.06-06	Spring, idle gear	1	
27	244FMI.01-14	Plug drain	1	
28	139QMB.01-17	Gasket, cover LH	1	
28A	139QMB-C.01-17	Gasket, cover LH	1	
29	GB5787-86	Screw M8 x 35	2	
30	GB5787-86	Screw M8 x 40	5	
31	139QMB.01-18	Cover, LH	1	
31A	139QMB.01-18A	Cover, LH	1	
31B	139QMB-C.01-18	Cover, LH	1	
32	139QMB.01-13	Pin 8 x 14	2	
33	GB5787-86	Screw M6x35	8	
34	HIE41QMB.01-15	Bush	2	
35	139QMB.01-20	Clamp, throttle cable	1	
36	139QMB.01-21	Clamp, brake cable	1	

139QMB

FIG.E1



139QMB

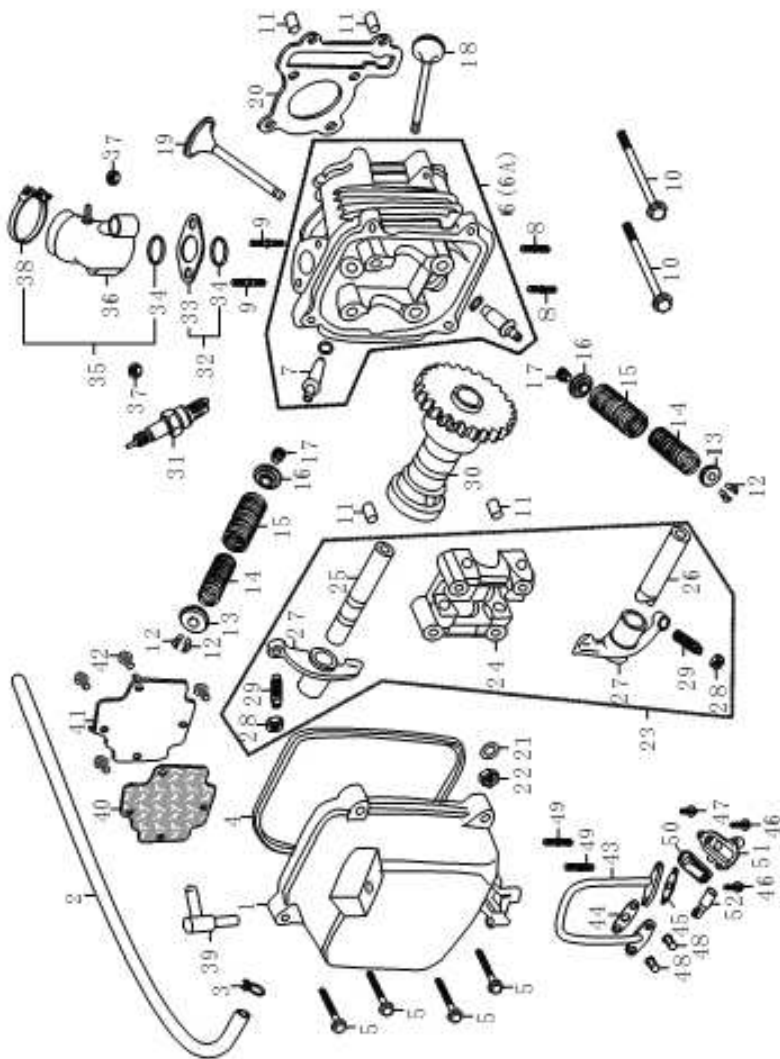
E1

FIG.E1

KAPTEP

Ref.No.	Part No.	Description	Q'ty	Remarks
37	139QMB.06.2-00	Lever, kick starter	1	
38	139QMB.06-10	Bolt	1	
39	139QMB.01-22	Clamp, air hose	1	
40	139QMB.01-23	Hose, air cleaner	1	
40A	139QMB.01.22-01	Hose, air cleaner	1	
41		Second air filter assy	1	
42		Element, air cleaner	1	
43		Plug pipe	1	
44		Screw	1	
45		Second air filter assy	1	
45A	139QMB.01.22-00	Second air filter assy	1	
46	GB845-85	Screw M4x8	3	
47	139QMB.01-24	Plate	1	
48	139QMB.01-19	Pin	1	

FIG.E2



139QMB

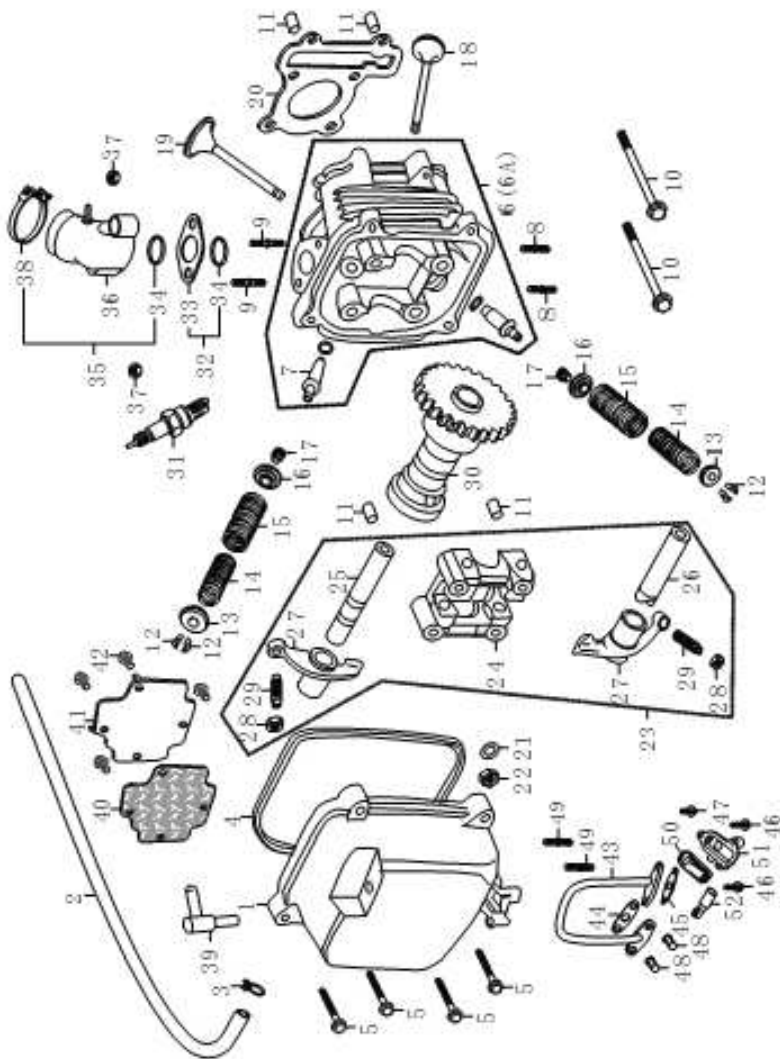
E2

FIG.E2

ГОЛОВКА ЦИЛИНДРА / КРЫШКА ГОЛОВКИ

Ref.No.	Part No.	Description	Q'ty	Remarks
1	139QMB.02-01	Head cover	1	
2	139QMB.02-37	Hose, air cleaner	1	
3	139QMB.02-38	Clip, hose	1	
4	139QMB.02-05	Gasket, head cover	1	
5	GB5789-86	Bolt M6x25	4	
6	139QMB.02.2-00	Cylinder head	1	
6A		Cylinder head	1	
7	139QMB.02.2-04	Guide, valve	2	
8	139QMB.02-20	Stud M6 x 32	2	
9	GB900-88 A	Stud M6 x 50	2	
10	GB5787-86	Bolt M6 x 85	2	
11	139QMB.02-06	Pin 8x14	4	
12	139QMB.02-19	Cotter, valve	4	
13	139QMB.02-18	Retainer, valve spring	2	
14	139QMB.02-15	Inner spring, valve	2	
15	139QMB.02-16	Outer Spring valve	2	
16	139QMB.02-17	Seat valve spring	2	
17	139QMB.02.6-00	Seal, valve stem	2	
18	139QMB.02-29	Valve, exhaust	1	
19	139QMB.02-14	Valve, inlet	1	

FIG.E2



139QMB

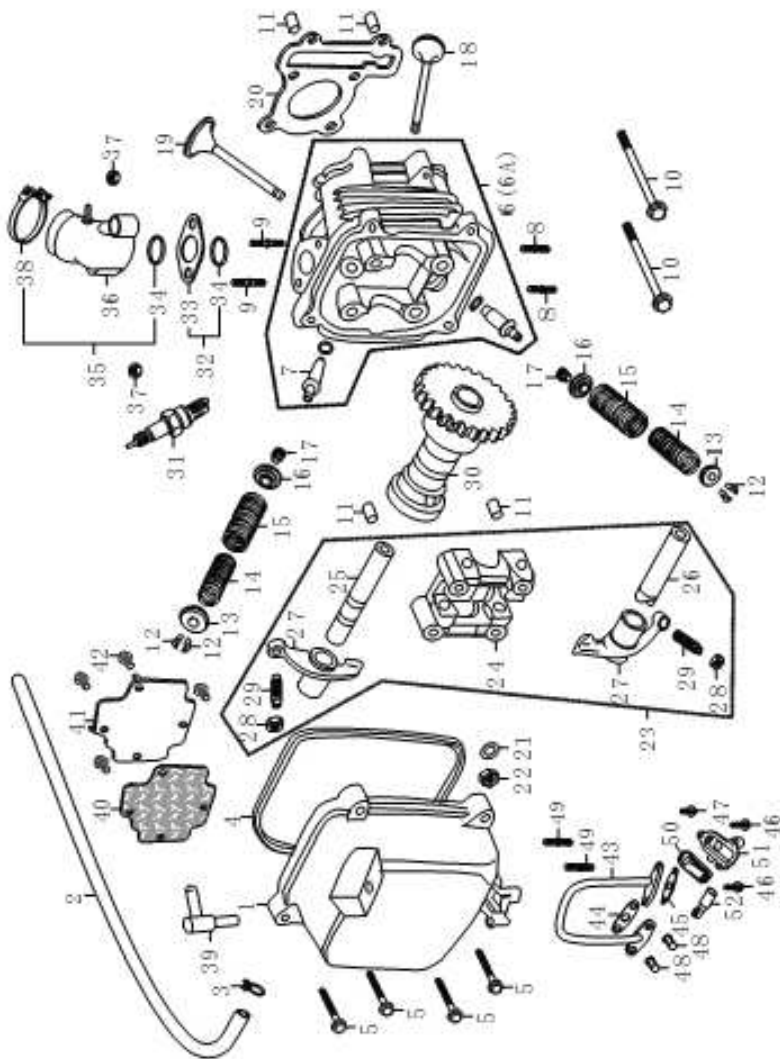
E2

FIG.E2

ГОЛОВКА ЦИЛИНДРА / КРЫШКА ГОЛОВКИ

Ref.No.	Part No.	Description	Q'ty	Remarks
20	139QMB.02-22	Gasket, cylinder head	1	
21	139QMB.02-13	Washer 7	4	
22	139QMB.02-12	Nut flange M7	4	
23		Rocker arm assy	1	
24	139QMB.02-07	Holder, cam shaft	1	
25	139QMB.02.13-00	Rocker arm axis, inlet	1	
26	139QMB.02-23	Rocker arm axis, exhaust	1	
27	139QMB.02.5-00	Rocker arm	2	
28	139QMB.02.5-01	Nut, tappet adjust	2	
29	139QMB.02.5-02	Screw, tappet adjusting	2	
30	139QMB.02.3-00	Cam assy	1	
31	139QMB.02-39	Spark plug	1	
32		Insulator, carburetor	1	
33	139QMB.02-31	Insulator, carburetor	1	
34	139QMB.02-32	O-Ring 20.6x1.9	2	
35	139QMB.02.11-00	Inlet pipe assy	1	
36	139QMB.02.11.1-00	Inlet pipe	1	
37	139QMB.02-33	Nut M6	2	
38	139QMB.02.12-00	Clip	1	
39	139QMB.02-36	Nozzle	1	

FIG.E2



139QMB

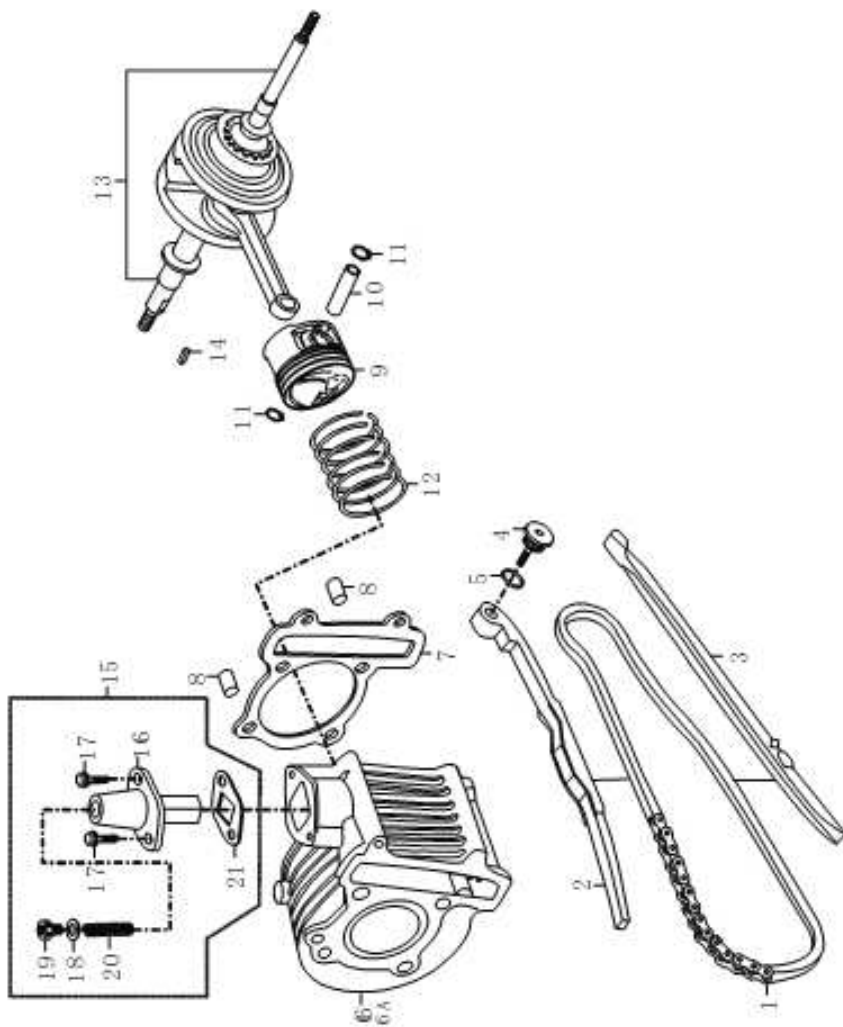
E2

FIG.E2

ГОЛОВКА ЦИЛИНДРА / КРЫШКА ГОЛОВКИ

Ref.No.	Part No.	Description	Q'ty	Remarks
40	139QMB.02-11	Gasket	1	
41	139QMB.02-10	Plate	1	
42	GB6560-86	Screw M4x6	4	
43	139QMB.02. 4-00	Pipe, intake	1	
44	139QMB.02-03	Gasket I	1	
45	139QMB.02-08	Gasket II	1	
46	GB5789-86	Bolt M6x40	2	
47	GB5789-86	Bolt M6x25	1	
48	139QMB.02-04	Nut	2	
49	139QMB.02-02	Bolt stud M6x28	2	
50	139QMB.02-09	Cover, reed valve	1	
51	139QMB.02. 9-00	Valve assy, reed	1	
52	139QMB.02.14-00	Second filter assy	1	

FIG.E3



139QMB

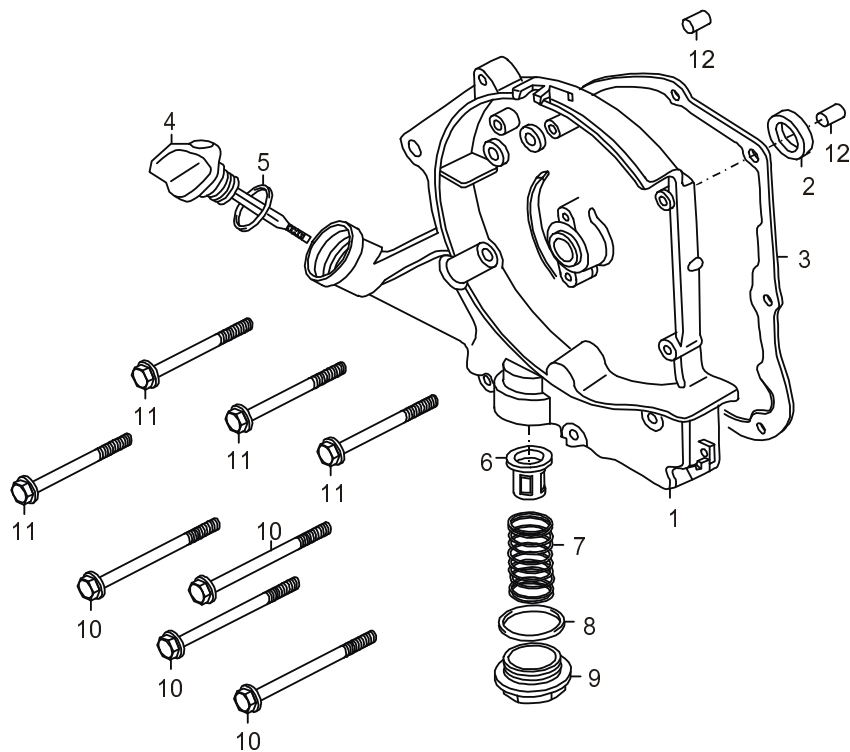
E3

FIG.E3

ЦИЛИНДР/КОЛЕНВАЛ/ПОРШЕНЬ

Ref.No.	Part No.	Description	Q'ty	Remarks
1	139QMB.02-21	Timing chain	1	
2	139QMB.02.7-00	Tension plate, chain	1	
3	139QMB.02.8-00	Guide plate, chain	1	
4	139QMB.02-26	Pivot, chain tension cam	1	
5	139QMB.02-24	O-Ring 15.5x1.5	1	
6	139QMB.02.1-00A	Cylinder 53.0mm	1	
6A	139QMB.02.1-00B	Cylinder 52.6mm	1	
7	139QMB.02-27	Gasket, cylinder	1	
8	139QMB.02-06	Pin d7.1x8 x 14	2	
9	139QMB.03-09A	Piston	1	
10	139QMB.03-06	Pin, piston	1	
11	T151QMI.03-13	Clip, piston pin	2	
12	139QMB.03-10/11/12	Ring set, piston	1	
13	139QMB.03-00	Crank shaft assy	1	
14	139QMB.03-15	Key	1	
15		Tensioner assy, timingchain	1	
16	139QMB.02.10-00	Body, tensioner	1	
17	139QMB.02-25	Bolt M6x18	2	
18	T151QMI.02.4-02	O-Ring	1	
19	139QMB.02.10-01	Adjusting screw, tensioner	1	
20	T151QMI.02.4-03	Adjusting spring, tensioner	1	
21	139QMB.02-28	Gasket, tensioner	1	

FIG.E4



139QMB

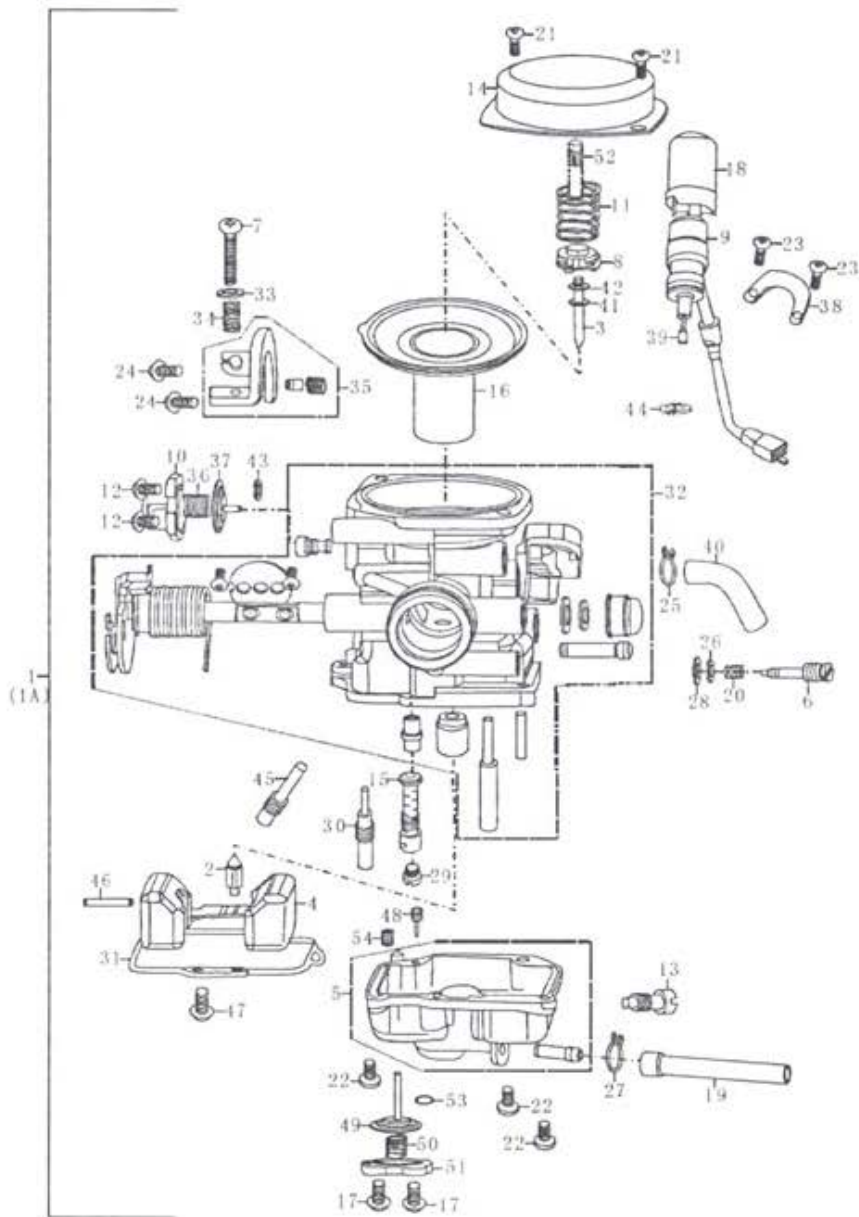
E4

FIG.E4

КРЫШКА КАРТЕРА ПРАВАЯ

Ref.No.	Part No.	Description	Q'ty	Remarks
1	139QMB.01-02	Cover RH,crankcase	1	
2	139QMB.03-16	Oil seal 16.4x30x5	1	
3	139QMB.01-03	Gasket, cover RH	1	
4	139QMB.01-16	Gauge, oil level	1	
5	139QMB.01-15	O-Ring 18x3	1	
6	139QMB.12.3-00	Screen, oil filter	1	
7	139QMB.12-05	Spring, oil filter screen	1	
8	139QMB.12-03	O -Ring 30x8	1	
9	139QMB.12-04	Cap, oil filter	1	
10	GB5787-86	Bolt M6x100	4	
11	GB5787-86	Bolt M6x85	4	
12	139QMB.01-14	Dowel pin 8x14	2	

FIG.E5



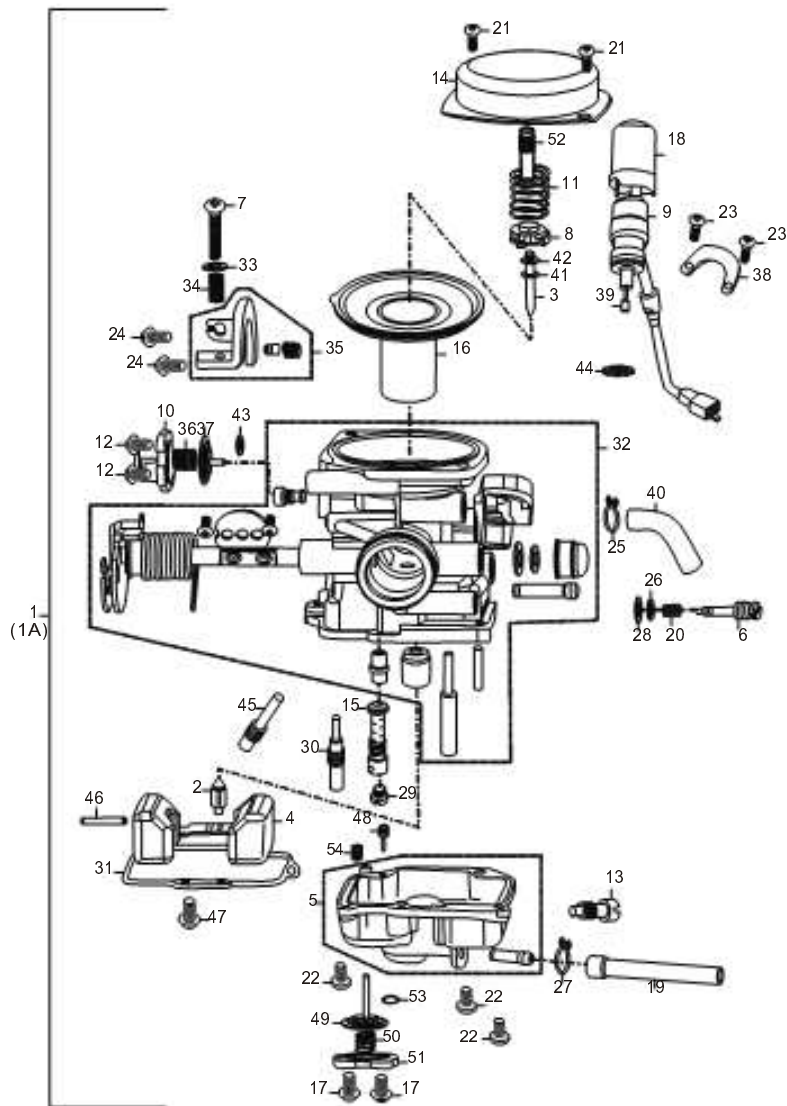
139QMB

E5
FIG.E5

CARBURETOR
КАРБЮРАТОР

Ref.No.	Part No.	Description	Q'ty	Remarks
1	139QMB.08-00	Carburetor assy	1	PD18J-B
1A	139QMB.08-00B	Carburetor assy	1	PD18J-C
2		Valve assy, needle	1	
3		Needle, jet	1	
4		Float	1	
5		Float body	1	
6		Adjuster	1	
7		Screw, pilot	1	
8		Holder	1	
9		Valve set, starter	1	
10		Cover	1	
11		Spring	1	
12		Screw M5×13	2	
13		Screw, drain	1	
14		Cap	1	
15		Position comp, vacuum	1	
16		Diaphragm assy	1	
17		Screw M4×10	2	
18		Cap, choke	1	
19		Tube, over flow	1	

FIG.E5



139QMB

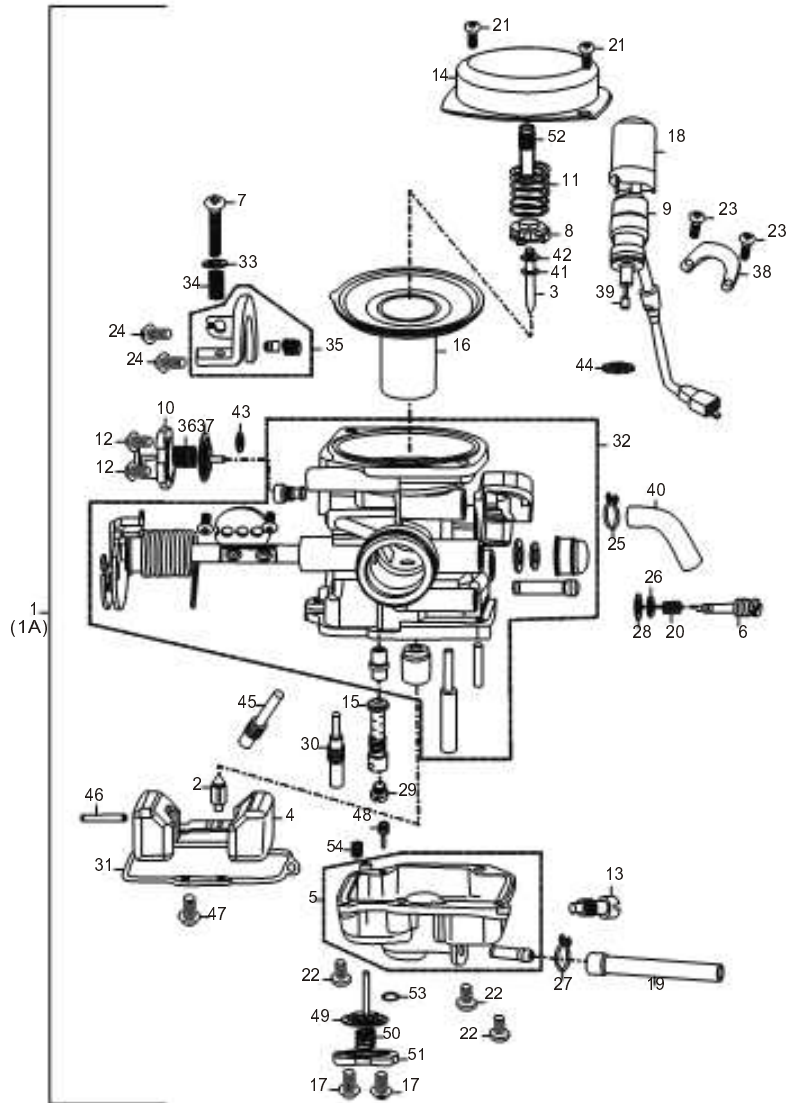
E5

FIG.E5

КАРБЮРАТОР

Ref.No.	Part No.	Description	Q'ty	Remarks
20		Spring	1	
21		Screw M4x10	2	
22		Screw M4x12	3	
23		Screw M4x10	2	
24		Screw M5x10	2	
25		Clip	1	
26		Washer	1	
27		Clip, tube	1	
28		O-ring	1	
29		Jet, main	1	
30		Jet, idle	1	
31		Seal	1	
32		Carburetor body	1	
33		Washer	1	
34		Spring	1	
35		Frame	1	
36		Spring	1	
37		Diaphragm	1	
38		Board	1	
39		Jet, started	1	

FIG.E5



139QMB

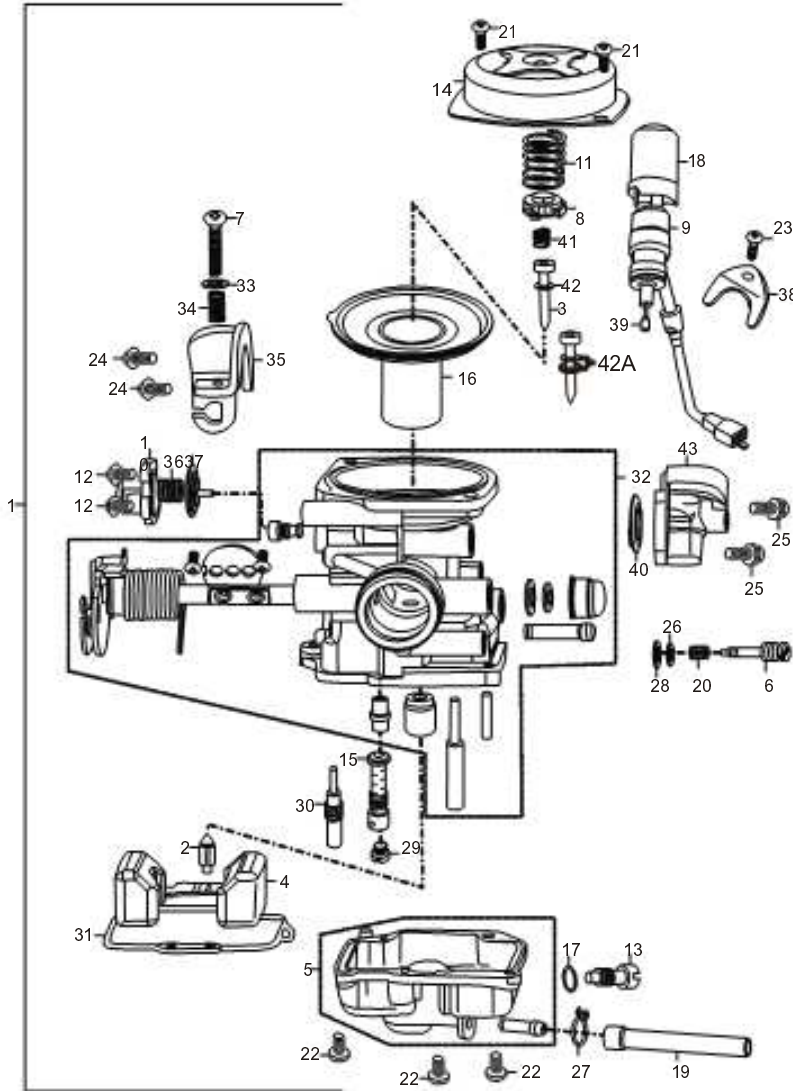
E5

FIG.E5

КАРБИЮРАТОР

Ref.No.	Part No.	Description	Q'ty	Remarks
40		Hose, overflow	1	
41		O-Ring	1	
42		Washer	1	
43		O-Ring	1	
44		Washer	1	
45		Jet	1	
46		Pin	1	
47		Screw M4x10	1	
48		Jet, accelerate pump	1	
49		Diaphragm, accelerate pump	1	
50		Spring	1	
51		Cap	1	
52		Pin	1	
53		O-Ring	1	
54		Rubber	1	

FIG.E5A



139QMB

E5A

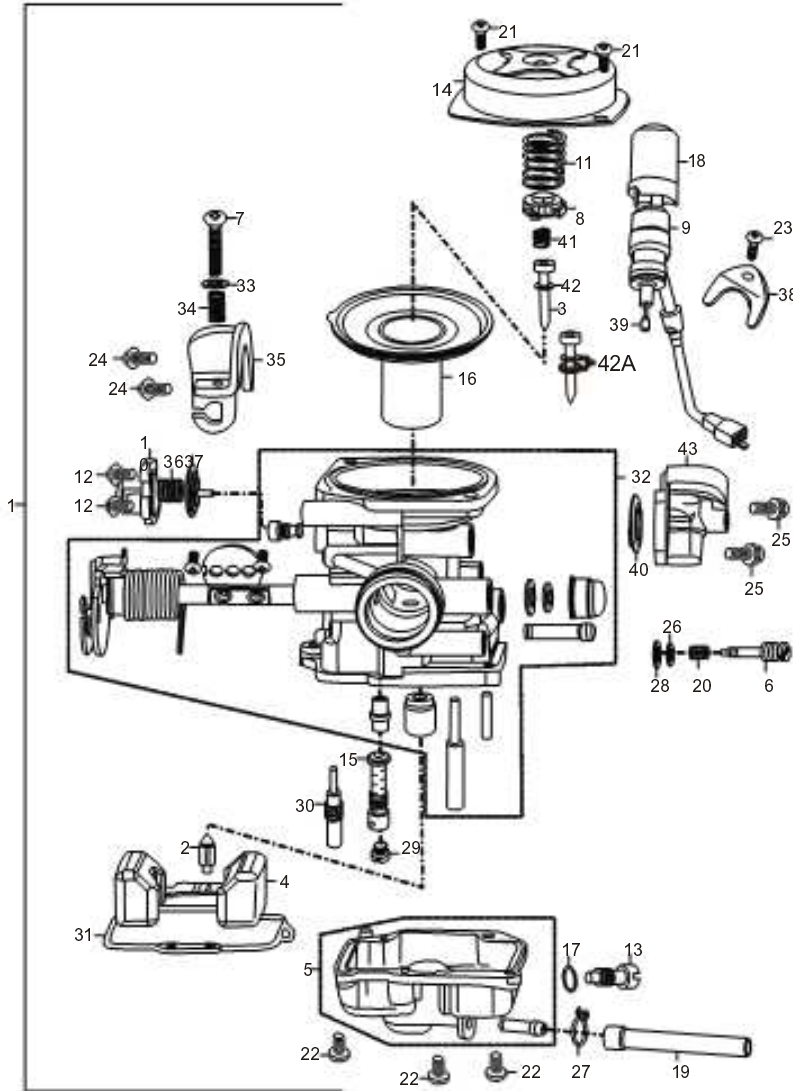
(DE NI)

FIG.E5A

КАРБИЮПАТОР

Ref.No.	Part No.	Description	Q'ty	Remarks
1	139QMB.08-00A	Carburetor assy	1	PD18J
2		Valve assy, needle	1	
3		Needle, jet	1	
4		Float	1	
5		Float body	1	
6		Adjuster	1	
7		Screw, pilot	1	
8		Holder	1	
9		Valve set, starter	1	
10		Cover	1	
11		Spring	1	
12		Screw M5x13	2	
13		Screw, drain	1	
14		Cap	1	
15		Position comp, vacuum	1	
16		Diaphragm assy	1	
17		O-ring	1	
18		Cap, choke	1	
19		Tube, over flow	1	
20		Spring	1	

FIG.E5A



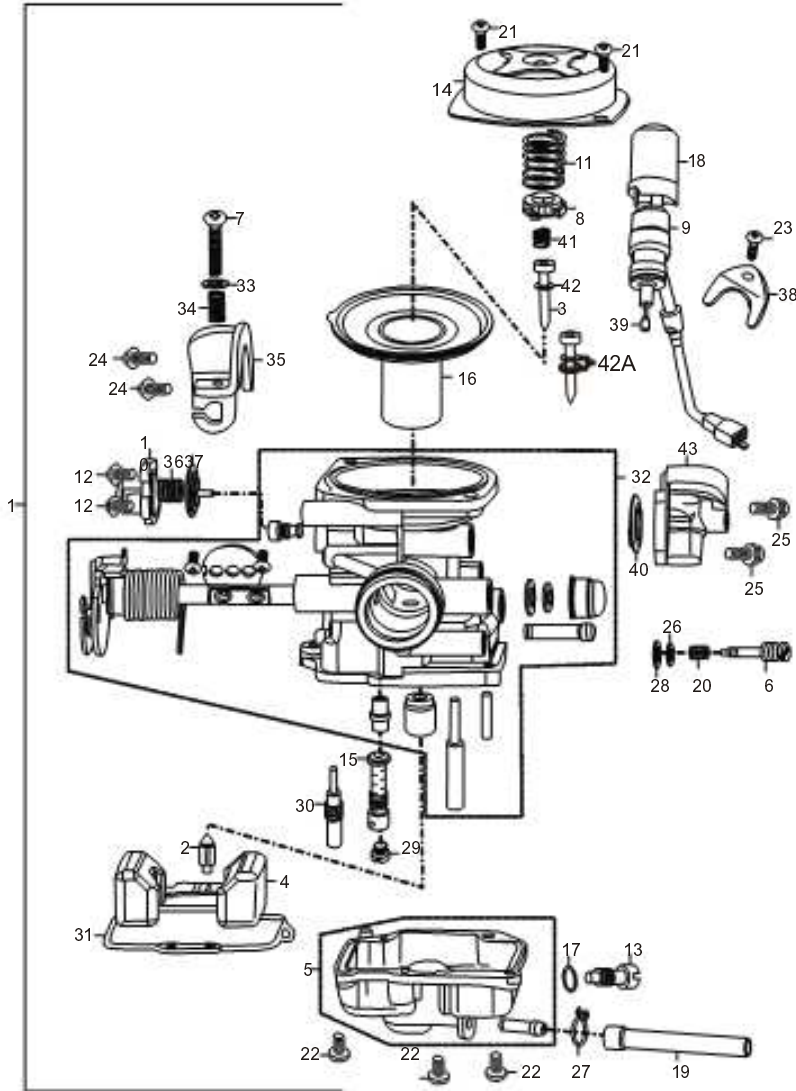
139QMB

E5A
FIG.E5A

(DE NI)
КАРБИЮРАТОР

Ref.No.	Part No.	Description	Q'ty	Remarks
21		Screw M4x10	2	
22		Screw M4x12	3	
23		Screw M4x10	1	
24		Screw M5x10	2	
25		Clip	1	
26		Washer	1	
27		Clip, tube	1	
28		O-ring	1	
29		Jet, main	1	
30		Jet, idle	1	
31		Seal	1	
32		Carburetor body	1	
33		Washer	1	
34		Spring	1	
35		Frame	1	
36		Spring	1	
37		Diaphragm	1	
38		Board	1	
39		Jet, started	1	
40		Gasket	1	

FIG.E5A

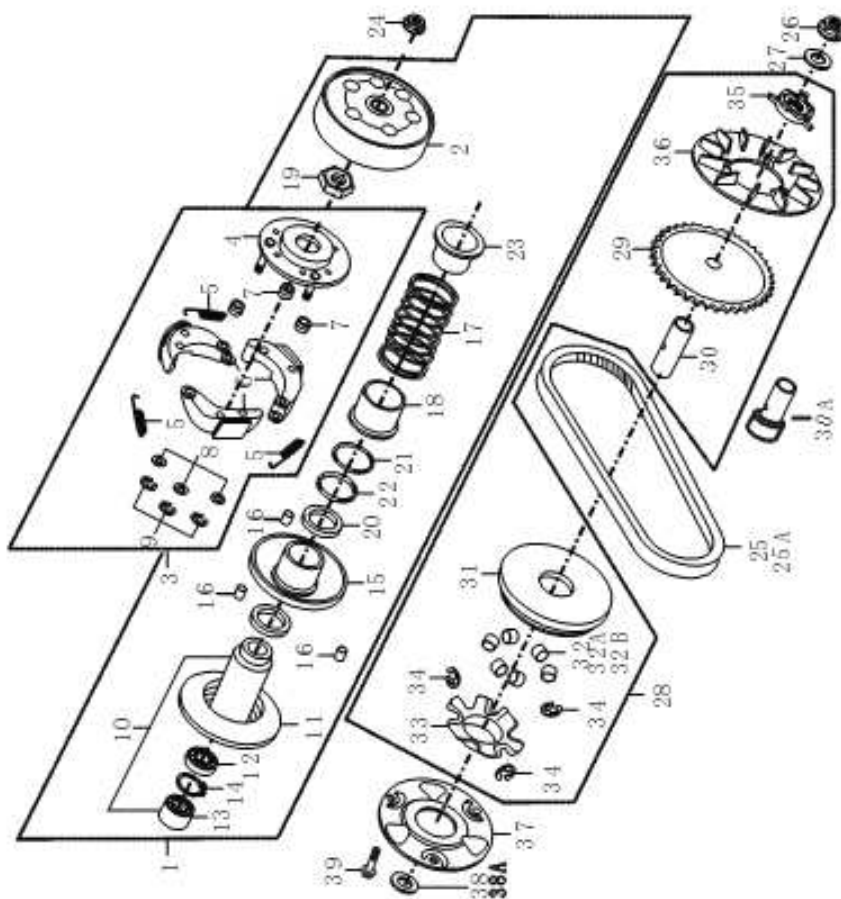


139QMB

Ref.No.	Part No.	Description	Q'ty	Remarks
41		Spring	1	
42		Washer d =0.5mm	1	
42A		Washer d =0.5mm	2	
43		BY-ST body	1	

E5A (DE NI)
FIG.E5A КАРБЮРАТОР

FIG.E6



139QMB

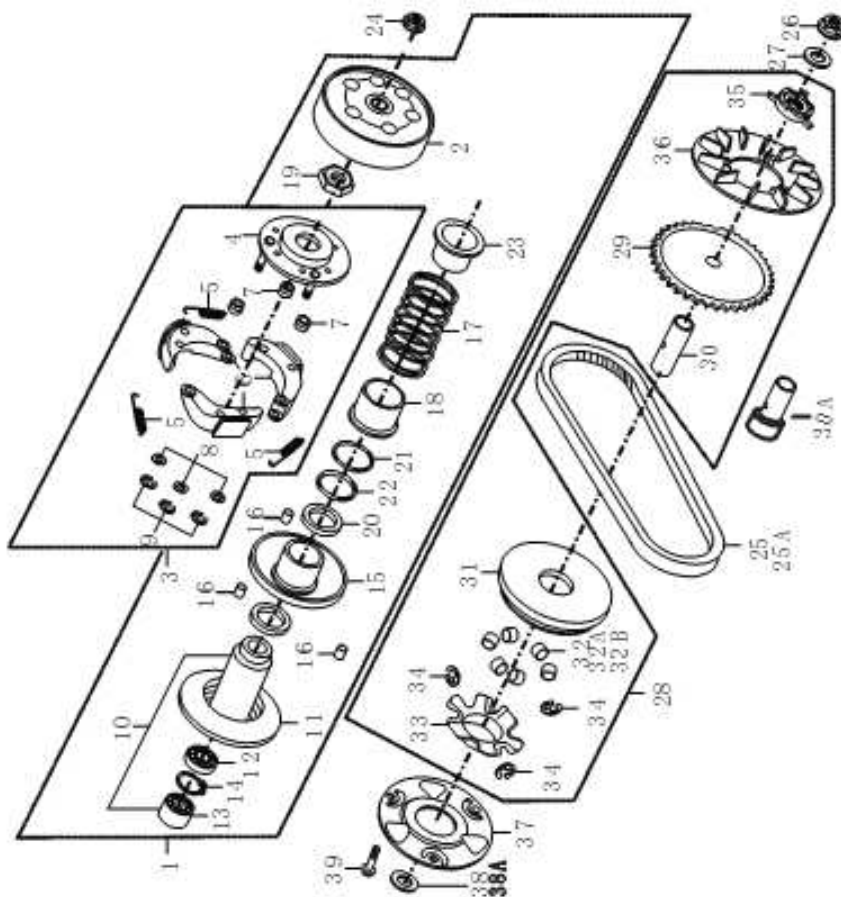
E6

FIG.E6

РЕМЕЊ

Ref.No.	Part No.	Description	Q'ty	Remarks
1	139QMB.04.4-00	Clutch assy, rear	1	
2	139QMB.04.3-00	Clutch outer hub	1	
3	139QMB.04.4.1-00	Plate assy, drive	1	*
4	139QMB.04.4.1.1-00	Drive plate	1	*
5	139QMB.04.4.1-00	Spring, clutch	3	
6	139QMB.04.4.1.2-00	Weight set, clutch	1	
7	139QMB.04.4.1-02	Rubber, clutch dumper	3	*
8	139QMB.04.4.1-03	Thrust washer 6	3	
9	139QMB.04.4.1-04	E - Circlip	3	
10	139QMB.04.4.3-00	Plate assy, fixed driven	1	*
11	139QMB.04.4.3-01	Fixed face, driven	1	*
12	GB/T276-94	Brg radial ball 6901U	1	*
13	139QMB.04.4-06	Bearing 17x25x18	1	*
14	GB893.3-86	Inner circlip 24	1	*
15	139QMB.04.4.2-00	Movable face, driven	1	*
16	139QMB.04.4-08	Pin guide	3	*
17	139QMB.04.4-03	Spring, driven plate	1	*
18	139QMB.04.4-02	Collar seal	1	*
19	139QMB.04.4-01	Nut M28	1	*
20	H1E41QMB.04-182	Oil seal 34x39x3	2	*

FIG.E6



139QMB

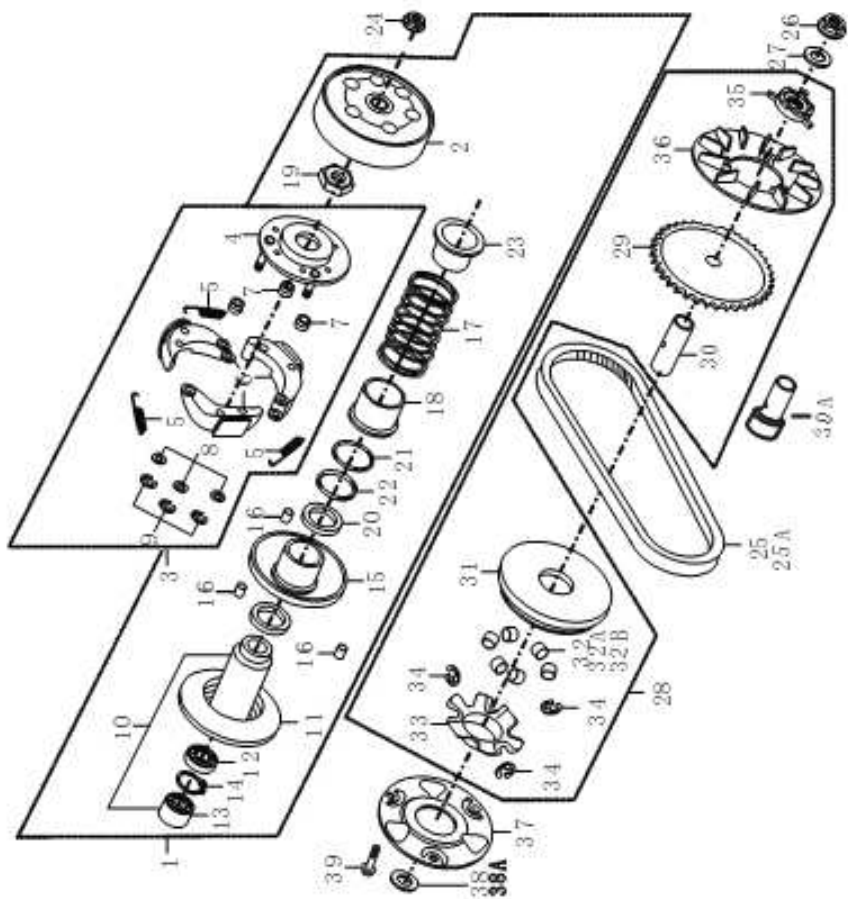
E6

FIG.E6

РЕМЕЊ

Ref.No.	Part No.	Description	Q'ty	Remarks
21	139QMB.04.4-07	O-Ring 36x15	1	*
22	139QMB.04.4-05	O-Ring 39.8x2.2	1	*
23	139QMB.04.4-04	Collar	1	*
24	H1E41QMB.04-30	Nut M10	1	
25	139QMB.04-03	Drive belt 669x18x30	1	
25A	139QMB-C.04-03	Drive belt 729x18x30	1	
26	139QMB.06-07	Nut M12	1	
27	139QMB.06-08	Washer 12	1	
28		Clutch assy, front	1	
29	139QMB.04-02	Fixed face, drive	1	
30	139QMB.04-05	Bush, drive face	1	/ 45
30A	139QMB.04-05A	Bush, drive face	1	25
31	139QMB.04.1-00	Movable face, drive	1	
32	139QMB.04.5-00	Roller 6.5g	6	139QMB 139
32A		Roller 5.0g	6	
32B		Roller 8.5g	6	147QME
33	139QMB.04-04	Slide plate, roller	1	
34	139QMB.04-06	Piece, slide plate	3	
35	139QMB.06-09	Ratchet, kick starter	1	
36	139QMB.04-01	Fan, cvt cooling	1	

FIG.E6



139QMB

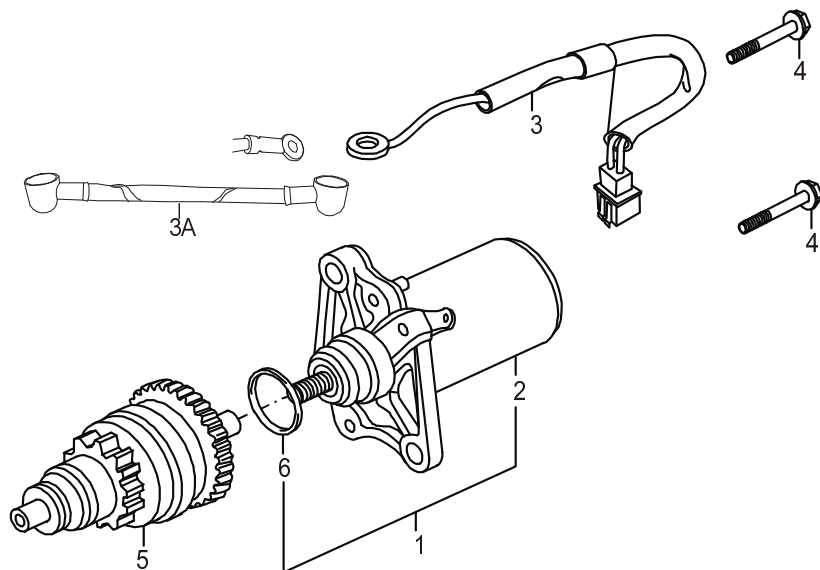
E6

FIG.E6

РЕМЕЊ

Ref.No.	Part No.	Description	Q'ty	Remarks
37		Stopper	1	
38	139QMB.06-01	Washer 14x1.0	1	
38A		Washer 14x2.0	1	
39		Screw M4x10	3	

FIG.E7



E7

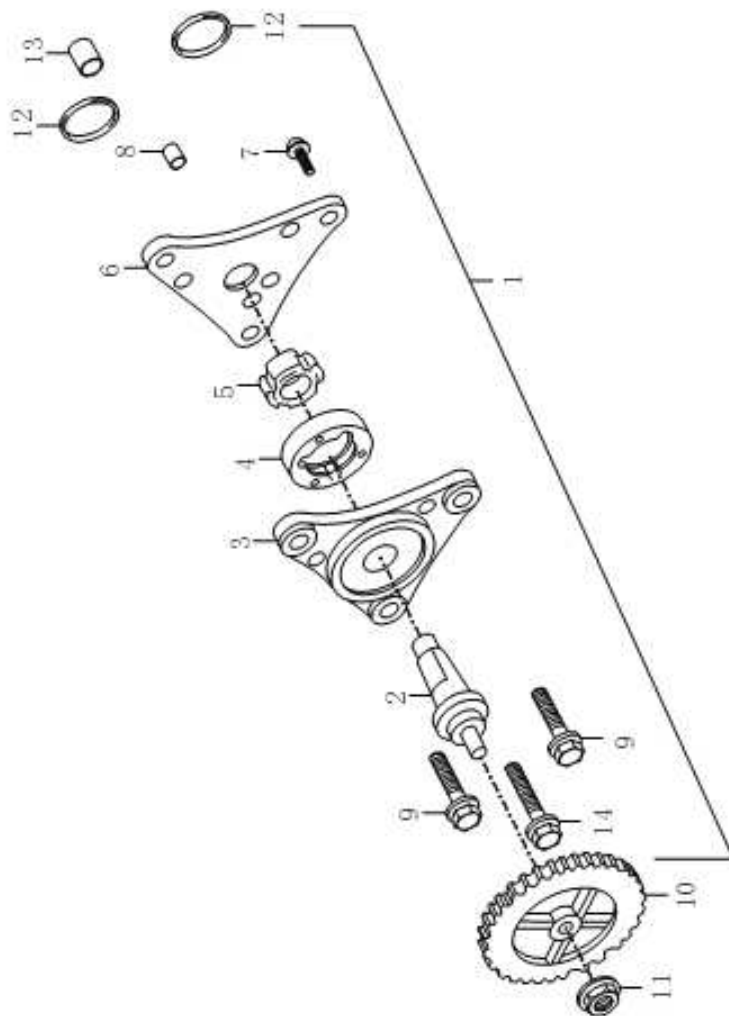
FIG.E7

MOTOP CTAPTEPA

Ref.No.	Part No.	Description	Q'ty	Remarks
1	147QME.06D.2-00	Starting motor assy	1	
2	139QMB.06D.2.1-00	Starting motor unit	1	
3	139QMB.06D.2.2-00A	Harness	1	
3A	139QMB.06D.2.2-00B	Harness	1	
4	GB5787-86	Bolt M6x25	2	
5	139QMB.06D.1-00	Starter clutch assy	1	
6	139QMB.06D.2-01	O-Ring	1	

139QMB

FIG.E8



139QMB

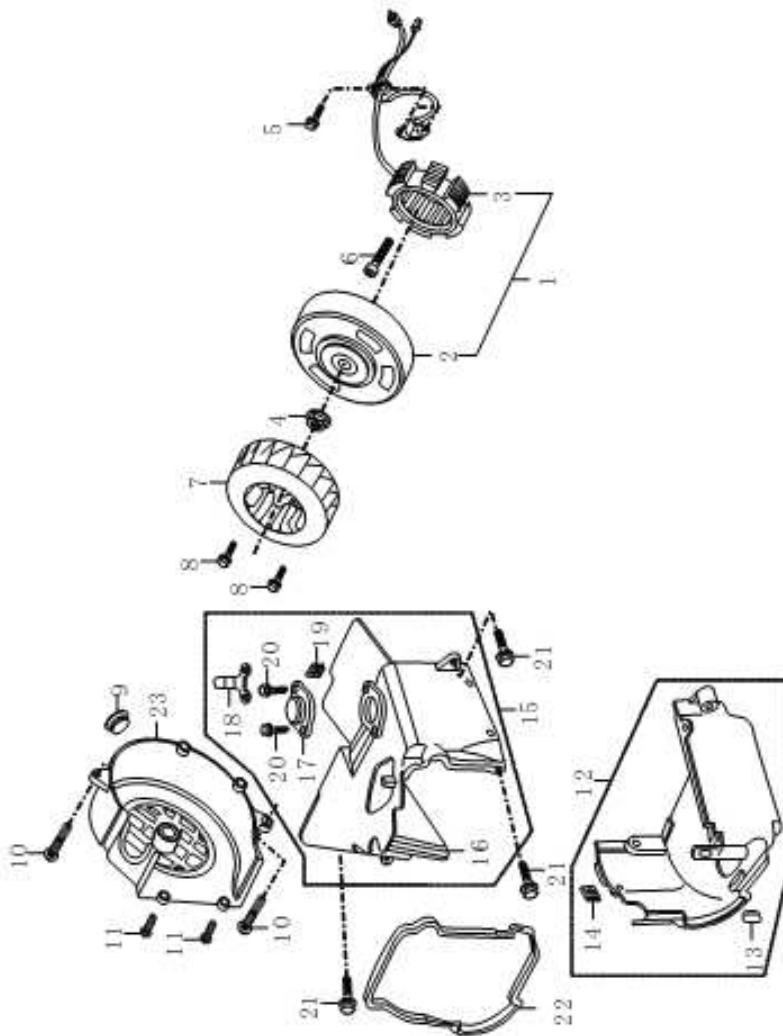
E8

FIG.E8

MACJIO HACOC

Ref.No.	Part No.	Description	Q'ty	Remarks
1	139QMB.12.2-00	Oil pump assy	1	
2	139QMB.12.2-01	Shaft, oil pump	1	*
3	139QMB.12.2-02	Body, oil pump	1	*
4	139QMB.12.2-03	Oil pump rotor, outer	1	*
5	139QMB.12.2-04	Oil pump rotor, inter	1	*
6	139QMB.12.2-05	Plate, oil pump	1	*
7	GB818-85	Screw M4 x10	3	*
8	139QMB.12.2-06	Pin 4x6.5	1	*
9	GB5787-86	Bolt M6 x 20	2	*
10	139QMB.12.1-00	Gear, oil pump driven	1	
11	GB6177-86	Nut M6	1	
12	139QMB.12-01	O-Ring 9 x 1.6	2	
13	139QMB.12-02	Pin 8 x 10	1	
14	GB5787-86	Bolt M6 x 25	1	

FIG.E9



139QMB

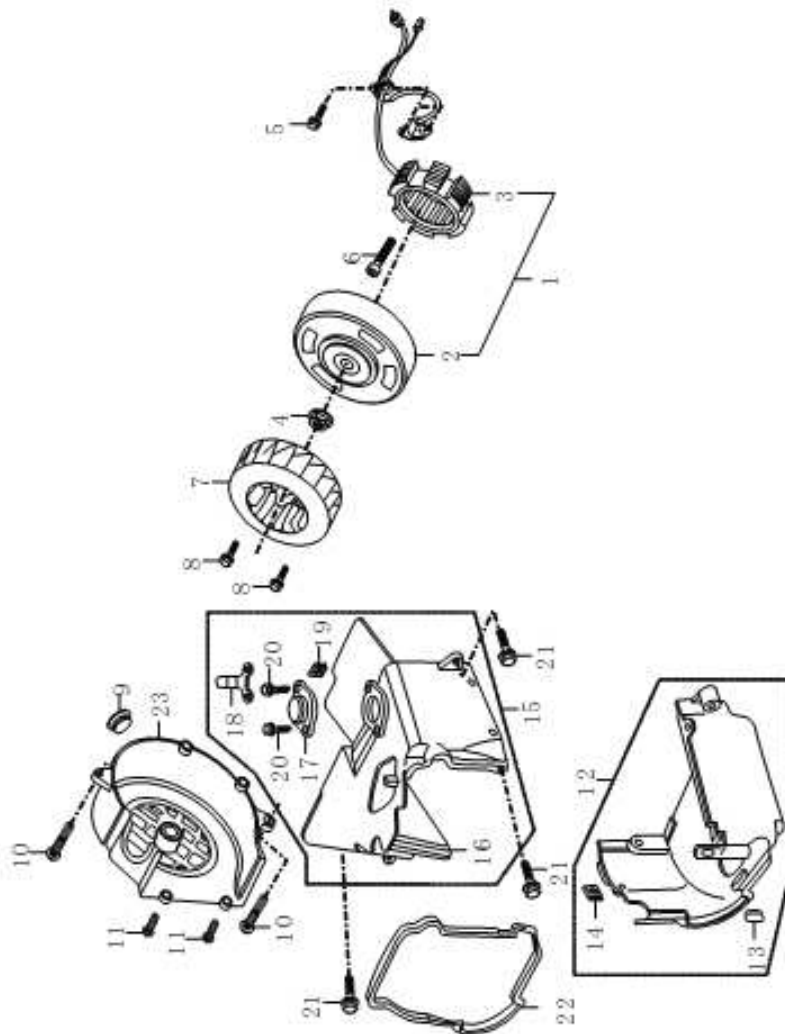
E9

FIG.E9

КРЫЛЬЧАТКА / МАГНЕТТО

Ref.No.	Part No.	Description	Q'ty	Remarks
1	139QMB.07.1-00A	Magneto assy	1	
2	139QMB.07.2-00	Rotor assy	1	
3	139QMB.07.1.1-00	Stator assy	1	
4	H1E41QMB.04-30	Nut M10	1	
5	GB5781-86	Screw M5 x 12	2	
6	139QMB.02-25	Screw M6 x 22	2	
7	139QMB.16.3-00	Cooling fan	1	
8	139QMB.16-04	Screw M6 x 18	4	
9	139QMB.19-02	Rubber plug	1	
10	GB5787-86	Screw M6 x 25	3	
11	GB9456-88	Screw M5 x 16	2	
12	139QMB.16.1-00	Hood assy A	1	
13	139QMB.16.1-01	Hood A	1	*
14	139QMB.-02.16.1-02	Nut clip 6	2	
15	139QMB.16.2-00	Hood assy B	1	
16	139QMB.16.2-01	Hood B	1	*
17	139QMB.16.2-02	Cap tensioner	1	*
18	139QMB.-2.16-02	Tube clip	1	*
19	139QMB.16.1-02	Nut clip 6	1	
20	GB818-85	Screw M4 x 12	2	

FIG.E9



139QMB

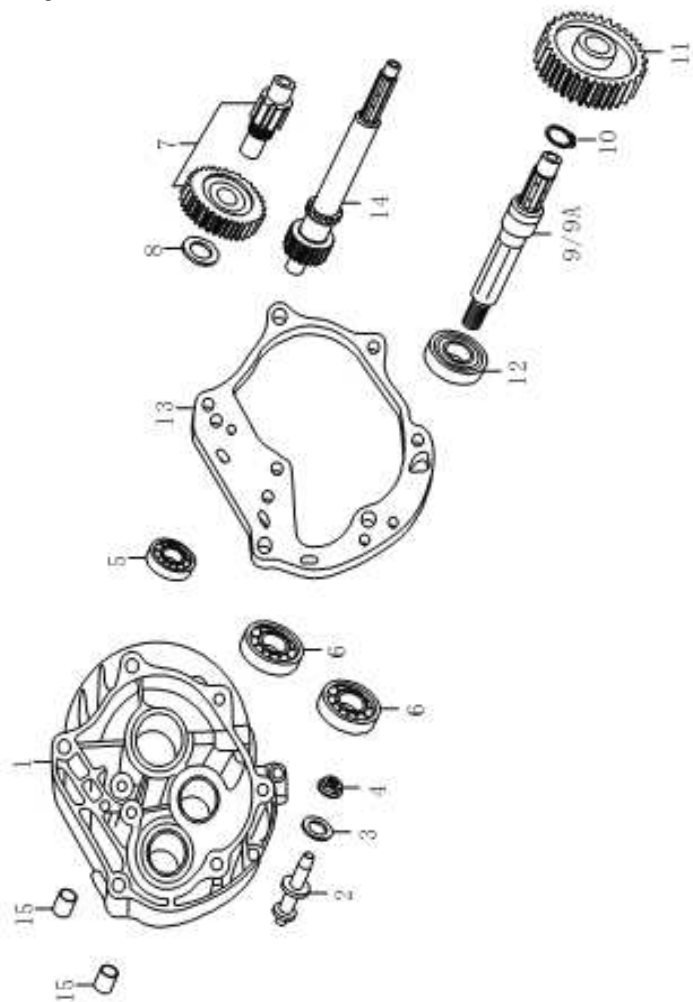
E9

FIG.E9

КРЫЛЬЧАТКА / МАГНЕТТО

Ref.No.	Part No.	Description	Q'ty	Remarks
21	GB5787-86	Screw M6 x 16	2	
22	139QMB.16-03	Seal, shroud	1	
23	139QMB.16.4-00	Fan cover assy	1	

FIG.E10



139QMB

E10

FIG.E10

ТРАНСМИССИЯ

Ref.No.	Part No.	Description	Q'ty	Remarks
1	139QMB.01-07	Main case body	1	
2	139QMB.01-05	Pin, brake shoe	1	
3	139QMB.01-08	O-ring 7.5 x 1.5	1	
4	GB6187-86	Nut M8	1	
5	GB/T276-94	Bearing 6004	1	
6	GB/T276-94	Bearing 6201	2	
7	139QMB.04.2-00	Counter shaft	1	
8	139QMB.04-14	Washer 12	1	
9	139QMB.04-11	Final shaft	1	125.5mm
9A	139QMB.04-11B	Final shaft	1	134.5mm
9B	139QMB.04-11D	Final shaft	1	195mm
10	139QMB.04-12	Circlip 20	1	*
11	139QMB.04-13	Final gear	1	
12	139QMB.04-10	Oil seal 27 x 42 x 7	1	
13	139QMB.01-09	Gasket, main case	1	
14	139QMB.04-09	Drive shaft	1	
15	139QMB.01-13	Pin 10 x 20	2	